



US00D521524S

(12) **United States Design Patent**
Chang

(10) **Patent No.:** **US D521,524 S**

(45) **Date of Patent:** **** May 23, 2006**

(54) **MULTI-MEDIA PLAYER ENCLOSURE**

4,630,821 A 12/1986 Greenwald
4,635,110 A 1/1987 Weinblatt

(75) Inventor: **Chung L. Chang**, Diamond Bar, CA
(US)

(Continued)

(73) Assignee: **Johnson Safety, Inc.**, San Bernardino,
CA (US)

FOREIGN PATENT DOCUMENTS

(**) Term: **14 Years**

DE	3721377 A1	6/1989
DE	4118711 A1	10/1992
GB	2276059 A	3/1994
JP	3-189620	8/1991
JP	4-201639	7/1992
JP	5-50883	3/1993
JP	9-224202	8/1997
SE	63872	6/1999
SE	63912	6/1999
SE	63913	6/1999

(21) Appl. No.: **29/197,126**

(22) Filed: **Jan. 8, 2004**

(51) **LOC (8) Cl.** **14-03**

(52) **U.S. Cl.** **D14/496**

(58) **Field of Classification Search** D14/496,
D14/160, 168, 188, 217, 299; D21/333, 324;
273/148 B; 463/1, 46, 47; 345/156, 905
See application file for complete search history.

Primary Examiner—Prabhakar Deshmukh

(74) *Attorney, Agent, or Firm*—Knobbe, Martens, Olson &
Bear LLP

(56) **References Cited**

U.S. PATENT DOCUMENTS

3,019,050 A	1/1962	Spielman	
3,284,041 A	11/1966	Tjaden	
3,737,184 A	6/1973	Swartz	
3,773,378 A	11/1973	Lewis	
3,944,020 A	3/1976	Brown	
D246,037 S	10/1977	Kelly	
D247,234 S	2/1978	Stewart	
4,079,987 A	3/1978	Bumgardener	
4,100,372 A	7/1978	Hypolite	
4,101,159 A	7/1978	Stewart	
4,241,870 A	12/1980	Marcus	
D260,507 S	9/1981	Kosugi et al.	
D264,969 S	* 6/1982	McGourty D14/496
4,352,200 A	9/1982	Oxman	
4,394,055 A	* 7/1983	Smith 312/196
4,440,443 A	4/1984	Nordskog	
D280,312 S	8/1985	Simeri et al.	
D282,251 S	1/1986	Isham et al.	
D282,733 S	2/1986	Giavazzi et al.	
4,584,603 A	4/1986	Harrison	
D284,280 S	* 6/1986	Mack et al. D14/496
D285,684 S	9/1986	Akita et al.	

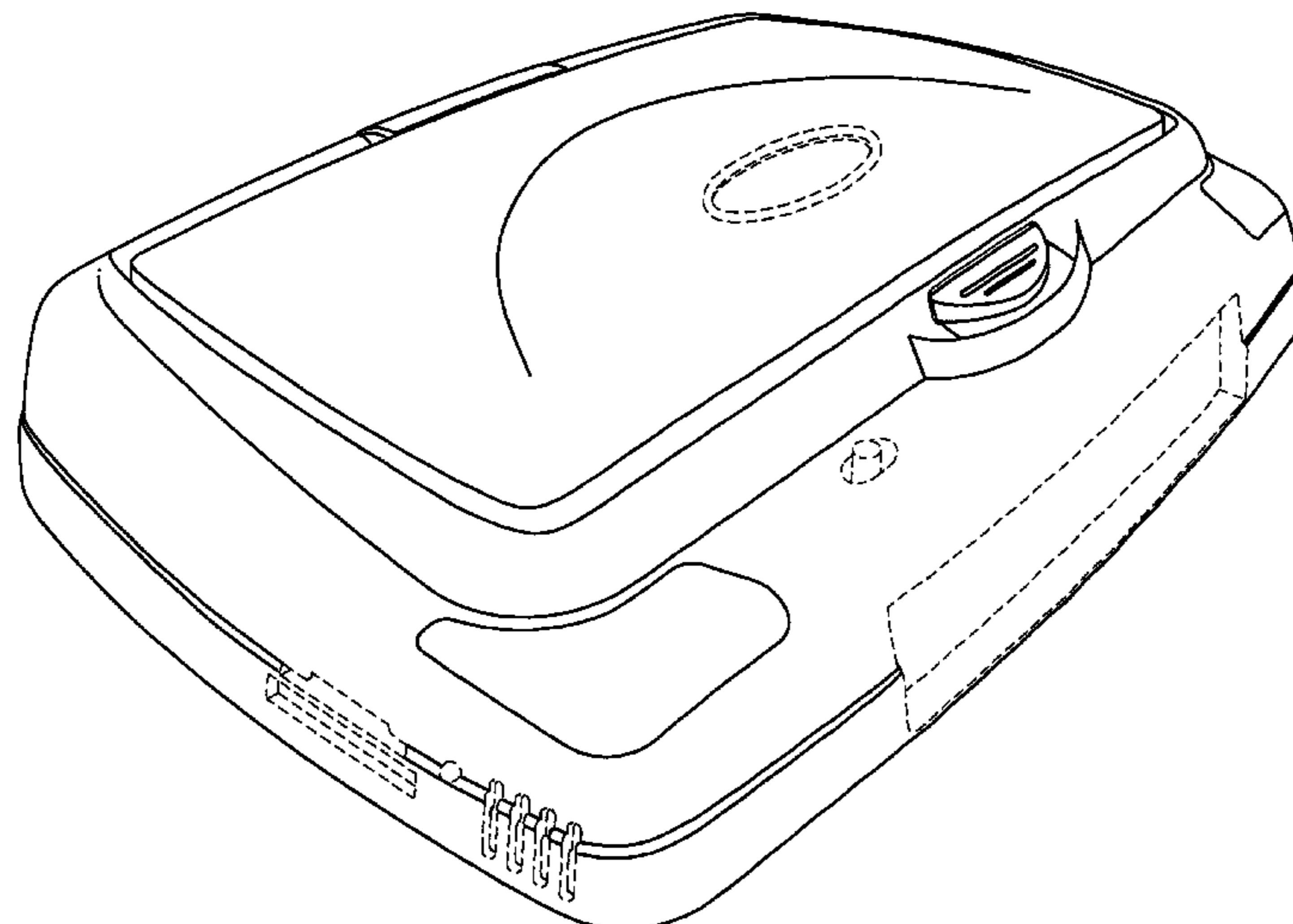
(57) **CLAIM**

The ornamental design for a multi-media player enclosure,
as shown and described.

DESCRIPTION

FIG. 1 is a perspective view of a multi-media player enclosure showing my design;
FIG. 2 is a bottom plan view thereof;
FIG. 3 is a front elevational view thereof;
FIG. 4 is a rear elevational view thereof;
FIG. 5 is a right elevational view thereof;
FIG. 6 is a left elevational view thereof;
FIG. 7 is a perspective view of another embodiment of FIG. 1;
FIG. 8 is a bottom plan view of FIG. 7;
FIG. 9 is a front elevational view of FIG. 7;
FIG. 10 is a rear elevational view of FIG. 7;
FIG. 11 is a right side elevational view of FIG. 7; and,
FIG. 12 is a left side elevational view of FIG. 7.
The broken lines, which define the bounds of the claimed design form no part thereof.

1 Claim, 8 Drawing Sheets



US D521,524 S

U.S. PATENT DOCUMENTS					
4,647,980	A	3/1987 Steventon et al.	5,842,715	A	12/1998 Jones
4,758,047	A	7/1988 Hennington	5,847,685	A	12/1998 Otsuki
4,792,183	A	12/1988 Townsend, II	D410,458	S	6/1999 Rosen
4,797,934	A	1/1989 Hufnagel	D410,464	S	6/1999 Hakoda
4,818,010	A	4/1989 Dillon	5,910,882	A	6/1999 Burrell
4,824,159	A	4/1989 Fluharty et al.	5,927,784	A	7/1999 Vitito
4,843,477	A	6/1989 Mizutani et al.	5,940,120	A	8/1999 Frankhouse et al.
4,867,498	A	9/1989 Delphia et al.	5,946,055	A	8/1999 Rosen
4,870,676	A	9/1989 Lewo	D413,856	S	9/1999 Scribner
4,950,842	A *	8/1990 Menninga 174/67	5,982,429	A	11/1999 Kamamoto et al.
4,982,996	A	1/1991 Vottero-Fin et al.	5,984,347	A	11/1999 Blanc-Rosset
4,983,951	A	1/1991 Igarashi et al.	5,996,954	A	12/1999 Rosen et al.
5,040,990	A	8/1991 Suman et al.	5,997,091	A	12/1999 Rech et al.
D320,587	S	10/1991 Kapp et al.	6,007,036	A	12/1999 Rosen
5,061,996	A	10/1991 Schiffman	6,055,478	A	4/2000 Heron
D323,929	S *	2/1992 Hodson D14/440	6,059,255	A	5/2000 Rosen et al.
5,096,271	A	3/1992 Portman	6,092,705	A	7/2000 Meritt
5,109,572	A	5/1992 Park	6,097,448	A	8/2000 Perkins
5,145,128	A	9/1992 Umeda	6,115,086	A	9/2000 Rosen
5,163,870	A *	11/1992 Cooper 454/184	6,124,902	A	9/2000 Rosen
5,177,616	A	1/1993 Riday	6,125,030	A	9/2000 Mola et al.
5,188,421	A	2/1993 Arseneault	6,157,418	A	12/2000 Rosen
D338,003	S	8/1993 Nakayama	6,179,263	B1	1/2001 Rosen et al.
D340,016	S	10/1993 Falcoff	6,181,387	B1	1/2001 Rosen
5,267,775	A	12/1993 Nguyen	D437,837	S	2/2001 Harrison et al.
5,303,970	A	4/1994 Young et al.	6,186,459	B1	2/2001 Ma
5,311,302	A	5/1994 Berry et al.	6,199,810	B1	3/2001 Wu et al.
D349,893	S *	8/1994 Bennett D14/440	6,216,927	B1	4/2001 Meritt
5,338,081	A	8/1994 Young et al.	6,246,449	B1	6/2001 Rosen
5,359,349	A	10/1994 Jambor et al.	6,250,967	B1	6/2001 Chu
5,467,106	A	11/1995 Salomon	6,256,837	B1	7/2001 Lan et al.
5,469,298	A	11/1995 Suman et al.	6,267,428	B1	7/2001 Baldas et al.
5,507,556	A	4/1996 Dixon	D446,507	S	8/2001 Rosen et al.
5,522,638	A	6/1996 Falcoff et al.	6,292,236	B1	9/2001 Rosen
D371,357	S	7/1996 Nakamura	6,304,173	B1	10/2001 Pala et al.
5,547,248	A	8/1996 Marechal	6,339,455	B1	1/2002 Allan et al.
5,583,735	A	12/1996 Pease et al.	6,339,696	B1	1/2002 Chan et al.
5,636,891	A	6/1997 Van Order et al.	6,364,390	B1	4/2002 Finneman
D389,818	S *	1/1998 Smith D14/440	6,394,551	B1	5/2002 Beukema
5,705,860	A	1/1998 Ninh et al.	6,412,848	B1	7/2002 Ceccanese et al.
5,709,360	A	1/1998 Rosen	6,466,278	B1	10/2002 Harrison et al.
5,713,633	A	2/1998 Lu	6,532,592	B1	3/2003 Shintani et al.
5,775,762	A	7/1998 Vitito	2002/0005917	A1	1/2002 Rosen
5,811,791	A	9/1998 Portman	2002/0105507	A1	8/2002 Tranchina et al.
D399,200	S	10/1998 Rosen	2002/0149708	A1	10/2002 Nagata et al.
5,822,023	A	10/1998 Suman et al.	2003/0020840	A1	1/2003 Hays et al.
5,823,599	A	10/1998 Gray	2003/0137584	A1	7/2003 Norvell et al.
5,831,811	A *	11/1998 Van Horn 361/600	2004/0032543	A1	2/2004 Chang

* cited by examiner

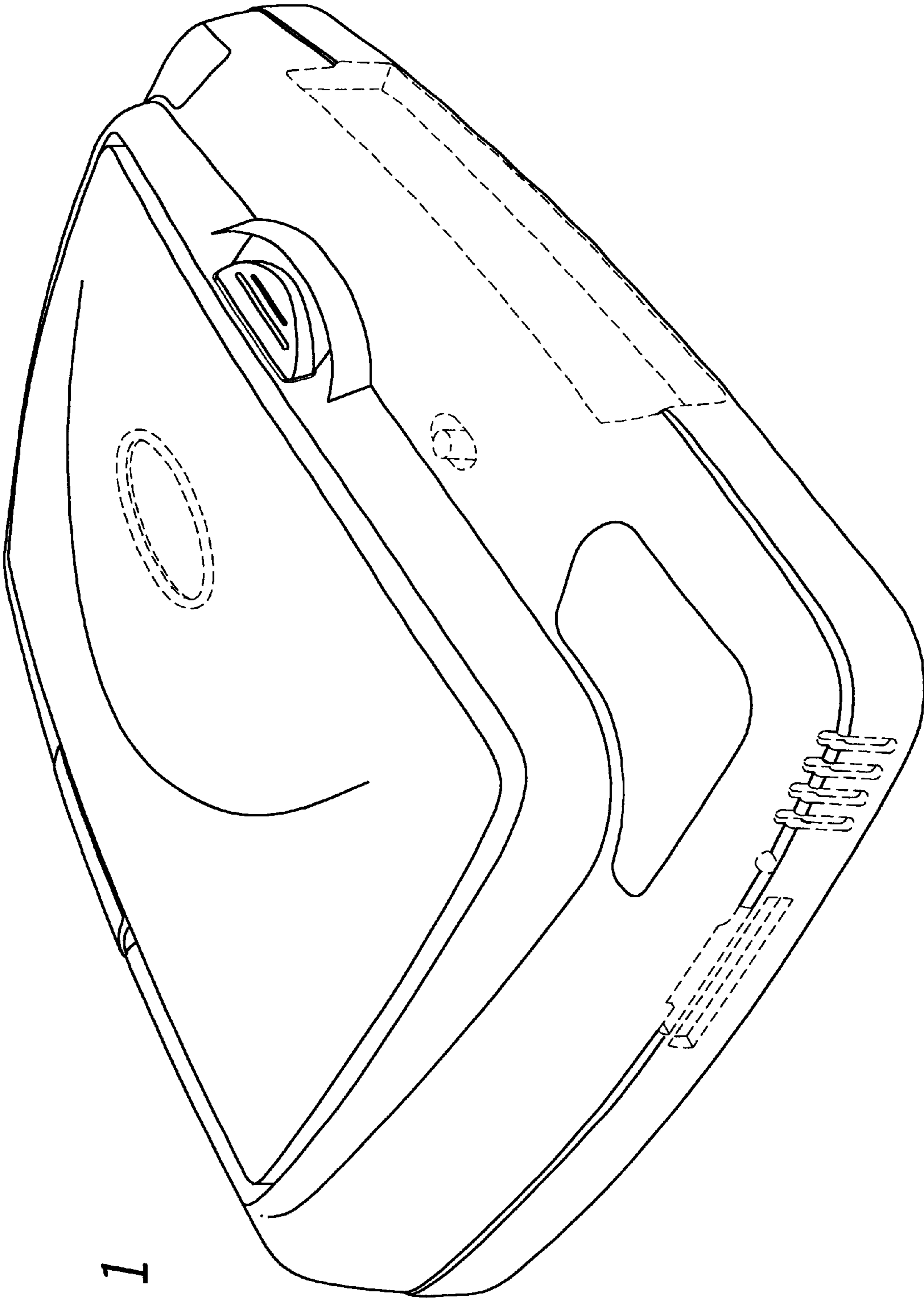


FIG. 1

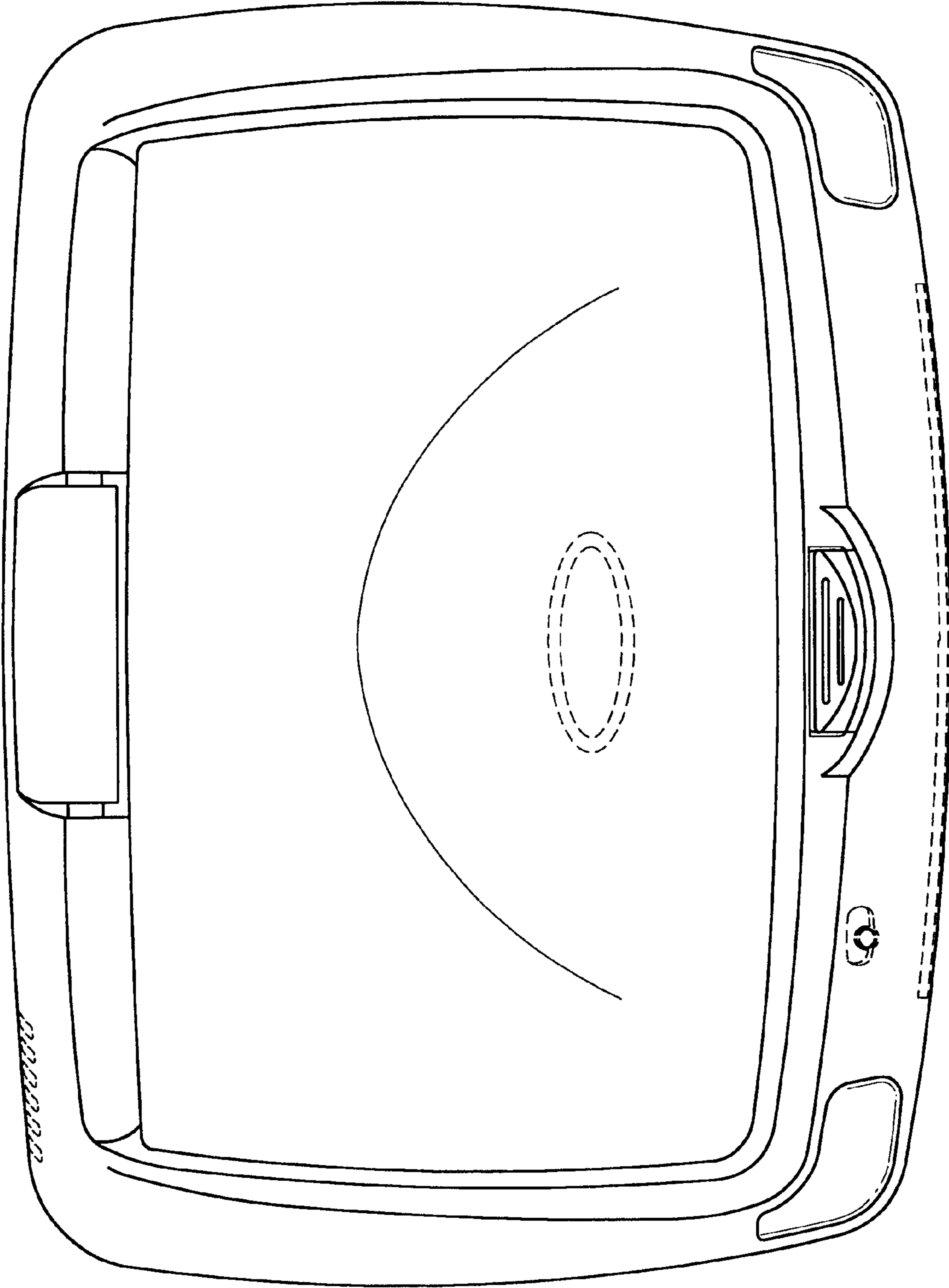


FIG. 2

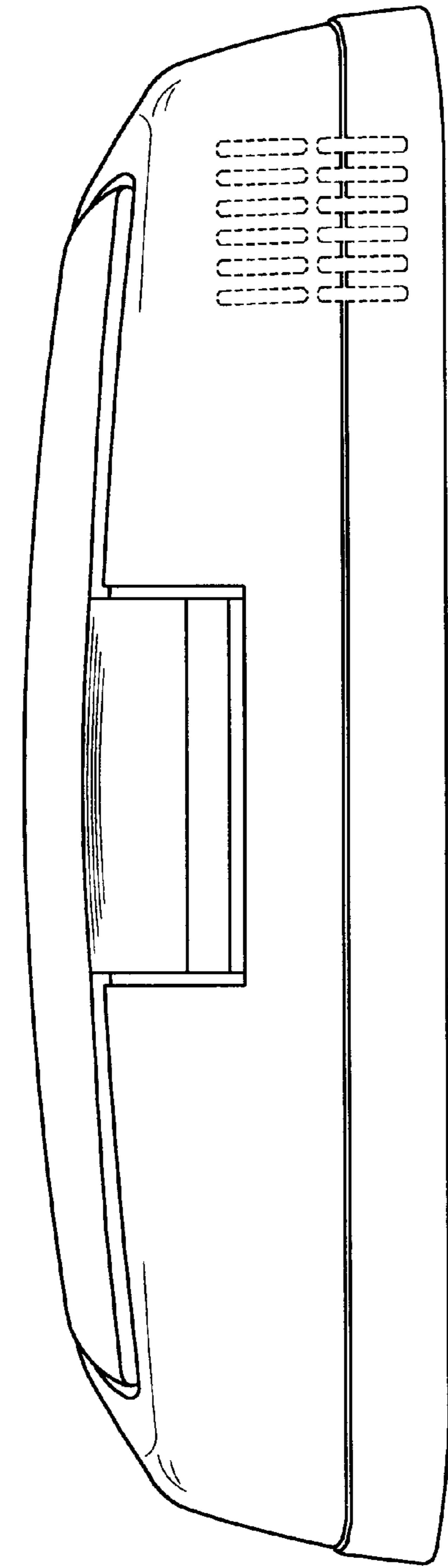


FIG. 3

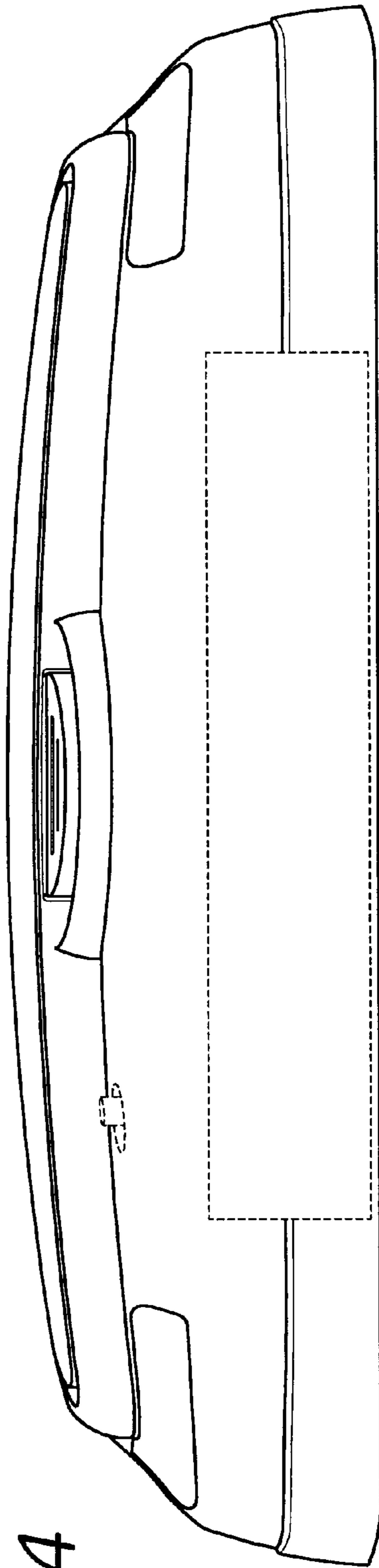


FIG. 4

FIG. 5

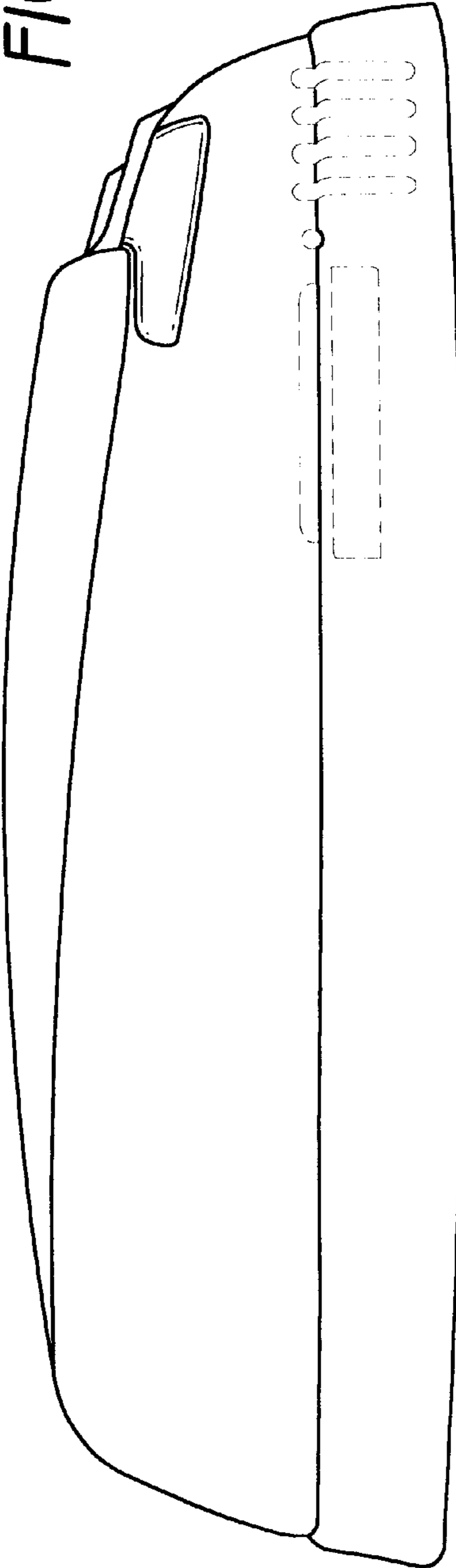
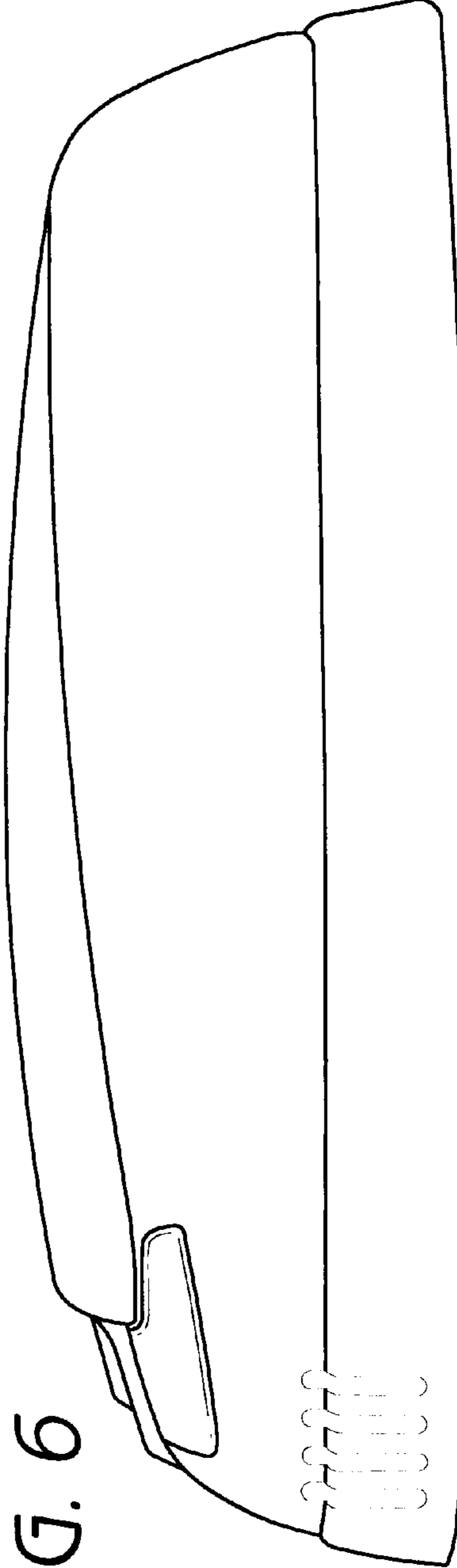


FIG. 6



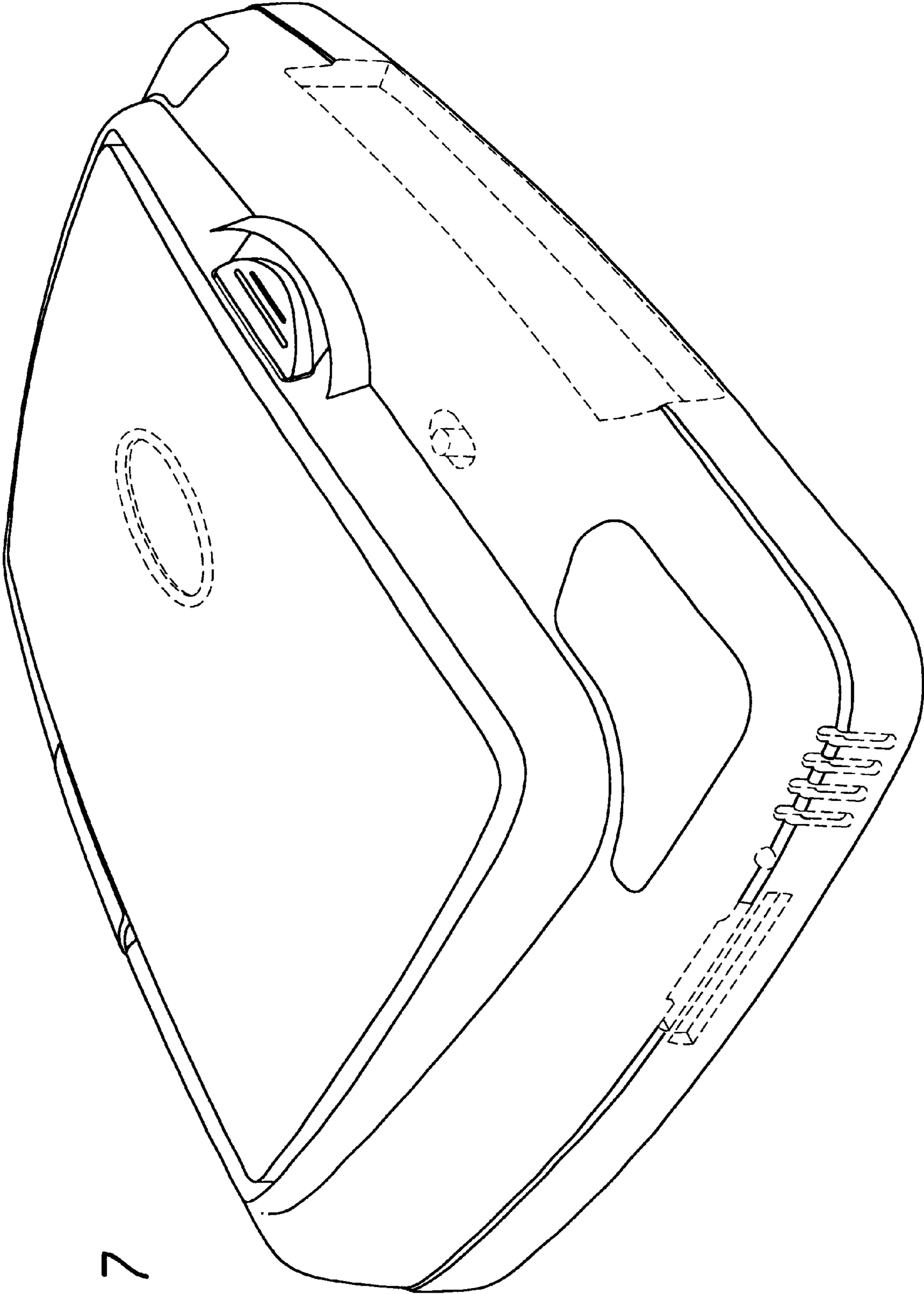


FIG. 7

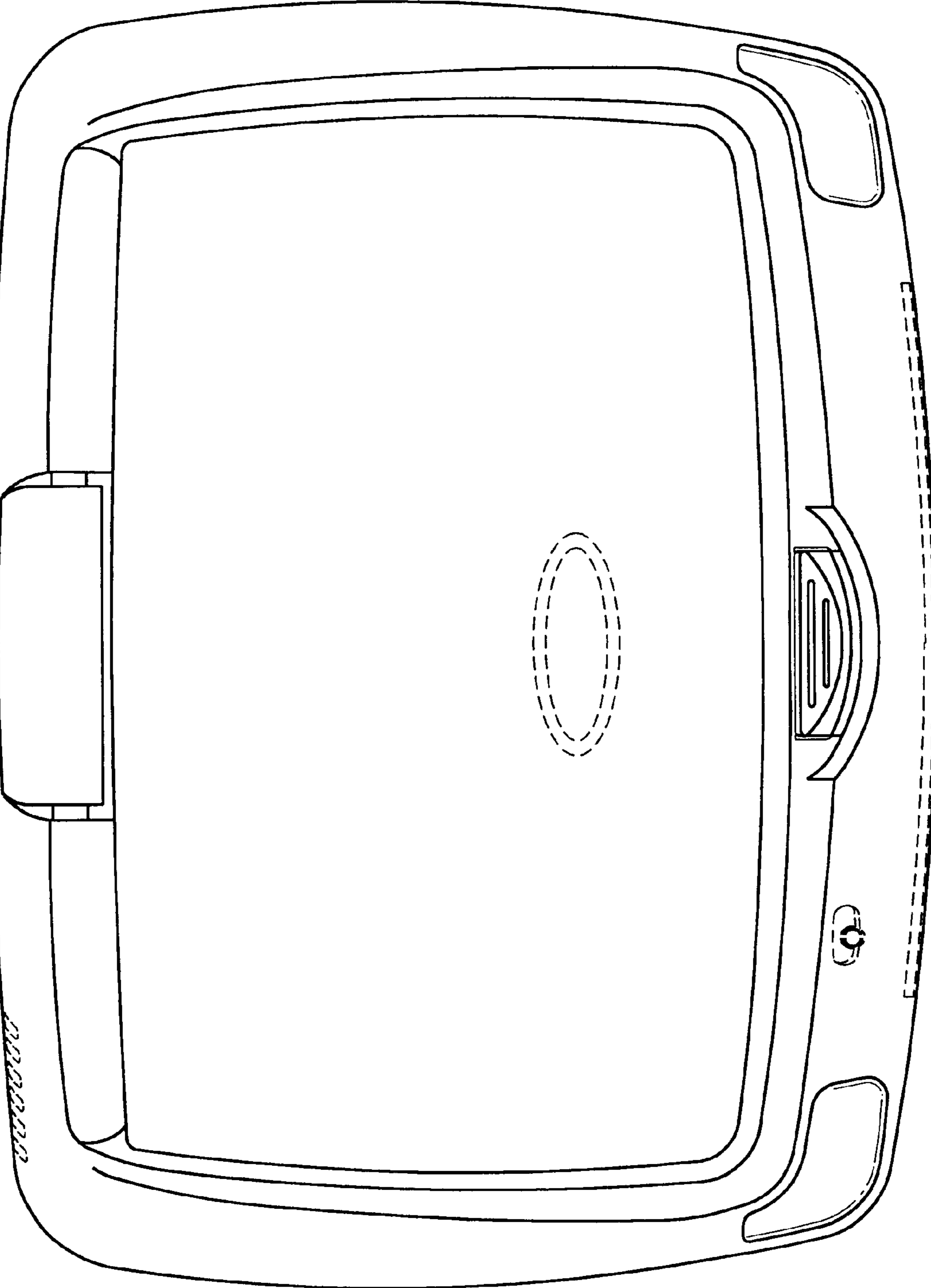


FIG. 8

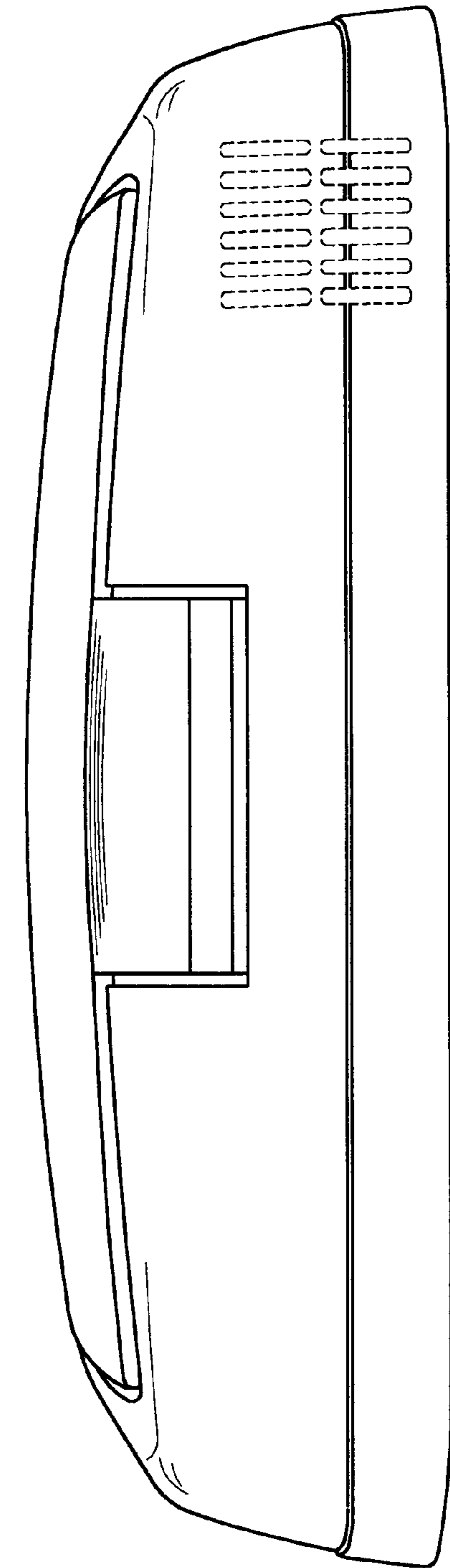


FIG. 9

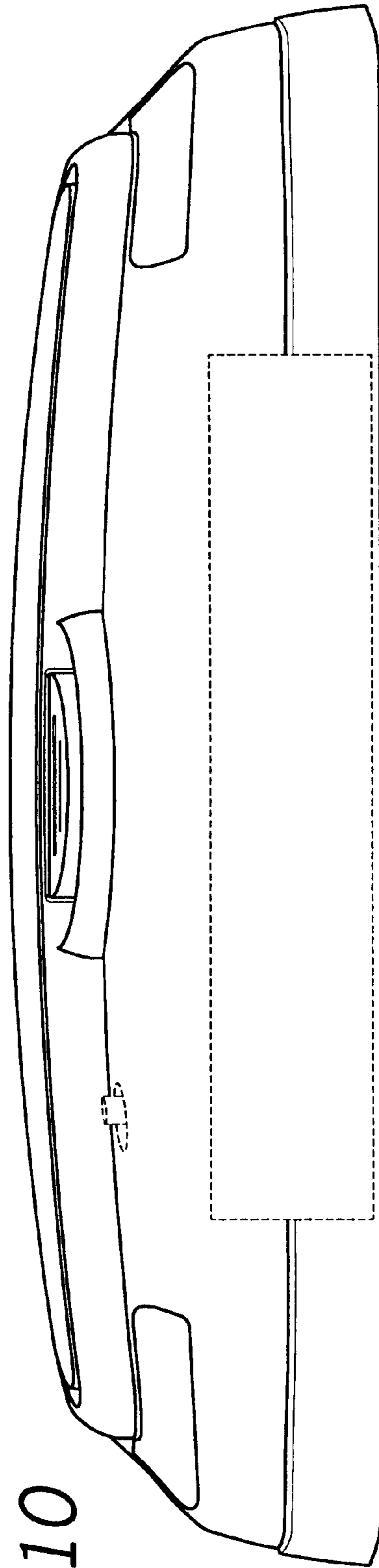


FIG. 10

FIG. 11



FIG. 12

