



US00D521517S

(12) **United States Design Patent**  
**Canavan et al.**

(10) **Patent No.:** **US D521,517 S**

(45) **Date of Patent:** **\*\* May 23, 2006**

(54) **MOUSE WITH UPPER INDICATOR LIGHT**

(75) Inventors: **Eugene Canavan**, County Wicklow (IE); **Peter Sheehan**, Wicklow County (IE); **Charles Seiber**, Belmont, CA (US)

(73) Assignee: **Logitech Europe S.A.**, Romanel-sur Morges (CH)

(\*\*) Term: **14 Years**

(21) Appl. No.: **29/228,833**

(22) Filed: **Apr. 27, 2005**

(51) **LOC (8) Cl.** ..... **14-02**

(52) **U.S. Cl.** ..... **D14/402**

(58) **Field of Classification Search** ..... D14/402-411, D14/417, 454, 432-434, 240; 345/156-167; 74/471 XY; 273/148 B; 200/5 R, 5 A, 6 R, 200/6 A; 463/36-38; 382/165-166; 235/462.01, 235/462.43, 462.45, 462.46, 462.47; 358/473-474  
See application file for complete search history.

D412,898 S	8/1999	Adams et al.	
D413,114 S	8/1999	Sheehan	
D413,322 S	8/1999	Sheehan et al.	
D414,483 S	* 9/1999	Cox et al. ....	D14/402
D421,434 S	3/2000	Sheehan et al.	
D423,488 S	4/2000	O'Keeffe et al.	
D430,879 S	9/2000	Chiang et al.	
D430,881 S	9/2000	Bidiville et al.	
D435,847 S	1/2001	Sheehan et al.	
D435,848 S	1/2001	Sheehan et al.	
D436,961 S	1/2001	Ledbetter et al.	
D437,599 S	2/2001	Kaneko et al.	
D437,852 S	2/2001	Ledbetter et al.	
D437,853 S	2/2001	Ledbetter et al.	
D438,209 S	2/2001	Ledbetter et al.	
D439,252 S	3/2001	Ledbetter et al.	
D439,253 S	3/2001	Sheehan et al.	
D439,905 S	4/2001	Jones et al.	
D440,224 S	4/2001	Jones et al.	
D440,972 S	4/2001	Chiang et al.	
D441,749 S	5/2001	Swan et al.	

(Continued)

*Primary Examiner*—Pamela Burgess  
(74) *Attorney, Agent, or Firm*—Townsend and Townsend and Crew LLP

(56) **References Cited**

**U.S. PATENT DOCUMENTS**

D302,426 S	7/1989	Bradley et al.	
D328,597 S	8/1992	Clouss	
D336,900 S	6/1993	Pfeifer	
D337,321 S	7/1993	Koh et al.	
D343,392 S	1/1994	Harden et al.	
D348,057 S	6/1994	Bradley	
D349,280 S	8/1994	Kaneko	
D355,901 S	2/1995	Bradley	
D356,558 S	3/1995	Montgomery et al.	
D362,431 S	9/1995	Kaneko et al.	
D372,908 S	8/1996	Aeschbacher et al.	
D375,729 S	11/1996	Aeschbacher et al.	
D378,086 S	2/1997	Sheehan et al.	
D382,550 S	8/1997	Kaneko et al.	
D385,542 S	10/1997	Kaneko et al.	
D405,072 S	* 2/1999	Tso .....	D14/409
D411,190 S	6/1999	McMahon et al.	
5,912,661 A	* 6/1999	Siddiqui .....	345/166
D411,837 S	7/1999	Sheehan	

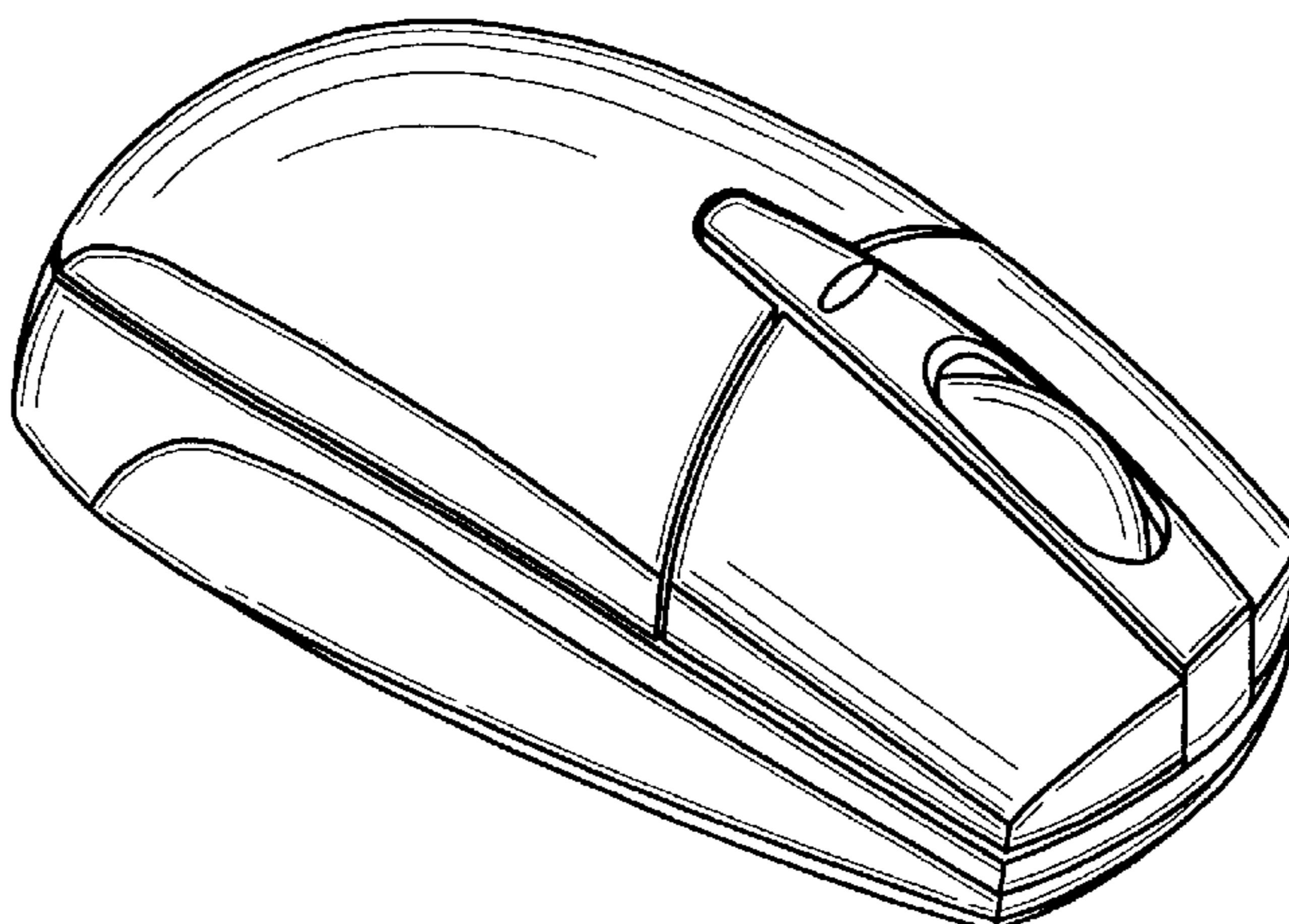
(57) **CLAIM**

The ornamental design for mouse with upper indicator light, as shown and described.

**DESCRIPTION**

FIG. 1 is a perspective view of a mouse with upper indicator light showing our new design;  
FIG. 2 is a front elevational view thereof;  
FIG. 3 is a rear elevational view thereof;  
FIG. 4 is a left elevational view thereof;  
FIG. 5 is a right elevational view thereof;  
FIG. 6 is a top plan view thereof; and,  
FIG. 7 is a bottom plan view thereof.  
Phantom lining, where utilized, is for illustrative purposes only, and is not intended to limit the claimed component design to the features shown in phantom.

**1 Claim, 3 Drawing Sheets**



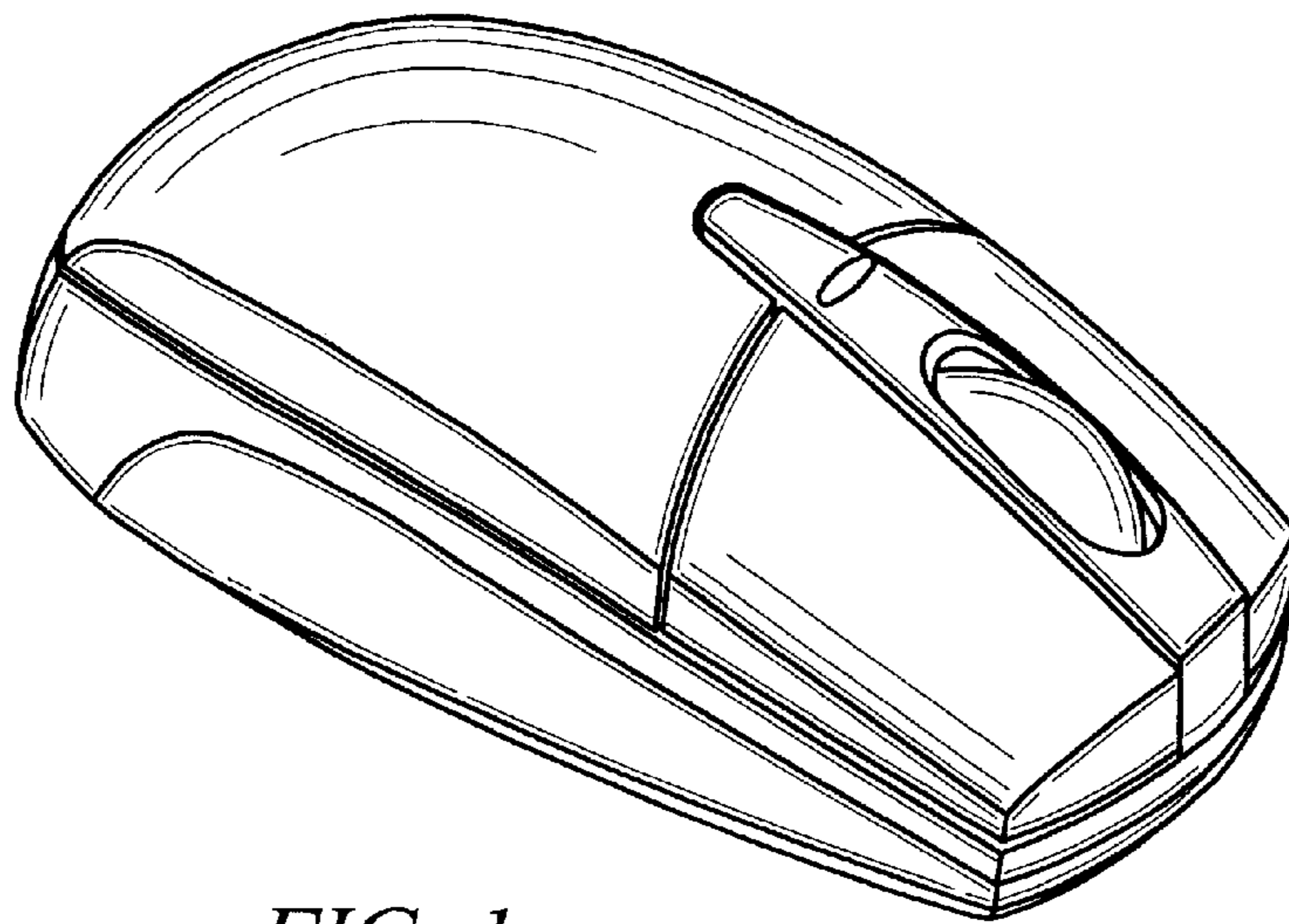
# US D521,517 S

Page 2

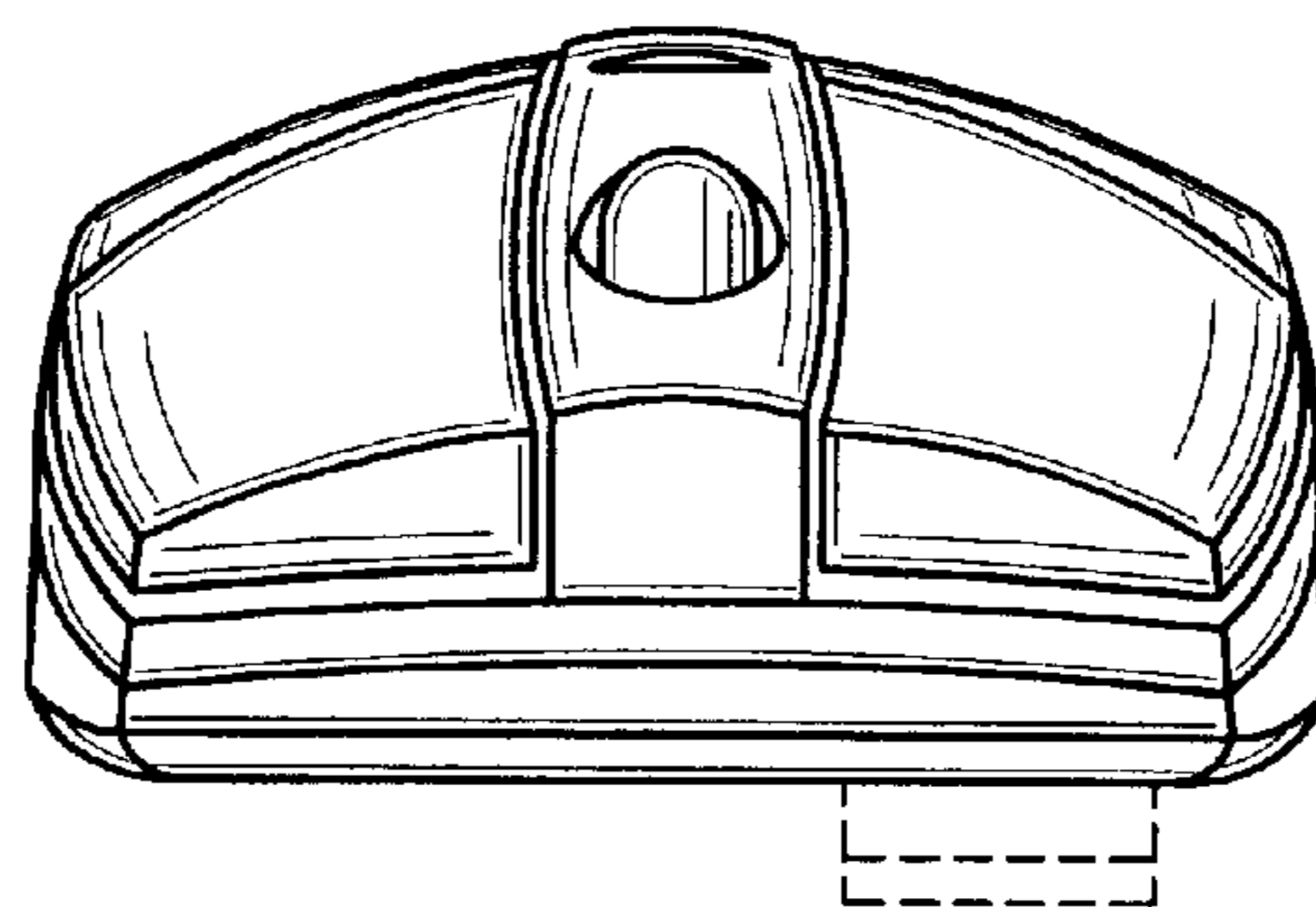
## U.S. PATENT DOCUMENTS

D442,592 S	5/2001	Ledbetter et al.	D473,870 S	4/2003	Fisher
D443,274 S	6/2001	Loughnane et al.	D474,769 S	* 5/2003	Fisher et al. .... D14/408
D443,275 S	6/2001	Loughnane et al.	D475,347 S	6/2003	Sheehan et al.
D443,616 S	6/2001	Fisher et al.	D479,528 S	9/2003	Sheehan et al.
D449,301 S	10/2001	Stephens et al.	D479,529 S	9/2003	Sheehan et al.
D450,321 S	11/2001	Fisher et al.	D485,272 S	1/2004	Fisher
D450,697 S	11/2001	Fisher et al.	D487,895 S	3/2004	Fisher et al.
D450,699 S	11/2001	Fisher et al.	D488,157 S	4/2004	Fisher
D450,700 S	11/2001	Fisher et al.	D488,474 S	4/2004	Fisher et al.
D451,098 S	11/2001	Fisher et al.	D489,723 S	5/2004	Fisher et al.
D457,698 S	11/2001	Fisher et al.	D489,724 S	5/2004	Fisher
D460,071 S	7/2002	Sheehan et al.	D491,948 S	6/2004	Fisher
D460,072 S	7/2002	Sheehan	D493,173 S	* 7/2004	Canavan et al. .... D14/408
D460,969 S	7/2002	Sheehan	D503,715 S	4/2005	Sheehan et al.
D464,350 S	10/2002	Kerestegian et al.	D504,133 S	4/2005	Canavan et al.
D464,352 S	* 10/2002	Kerestegian ..... D14/408	D505,677 S	5/2005	Sheehan et al.
D464,651 S	10/2002	Kerestegian	D505,678 S	5/2005	Sheehan et al.
D470,495 S	2/2003	Sheehan et al.	D505,679 S	5/2005	Klarke et al.
D471,556 S	3/2003	O'Keeffe et al.	D506,198 S	6/2005	Sheehan et al.
D473,232 S	4/2003	Fisher			

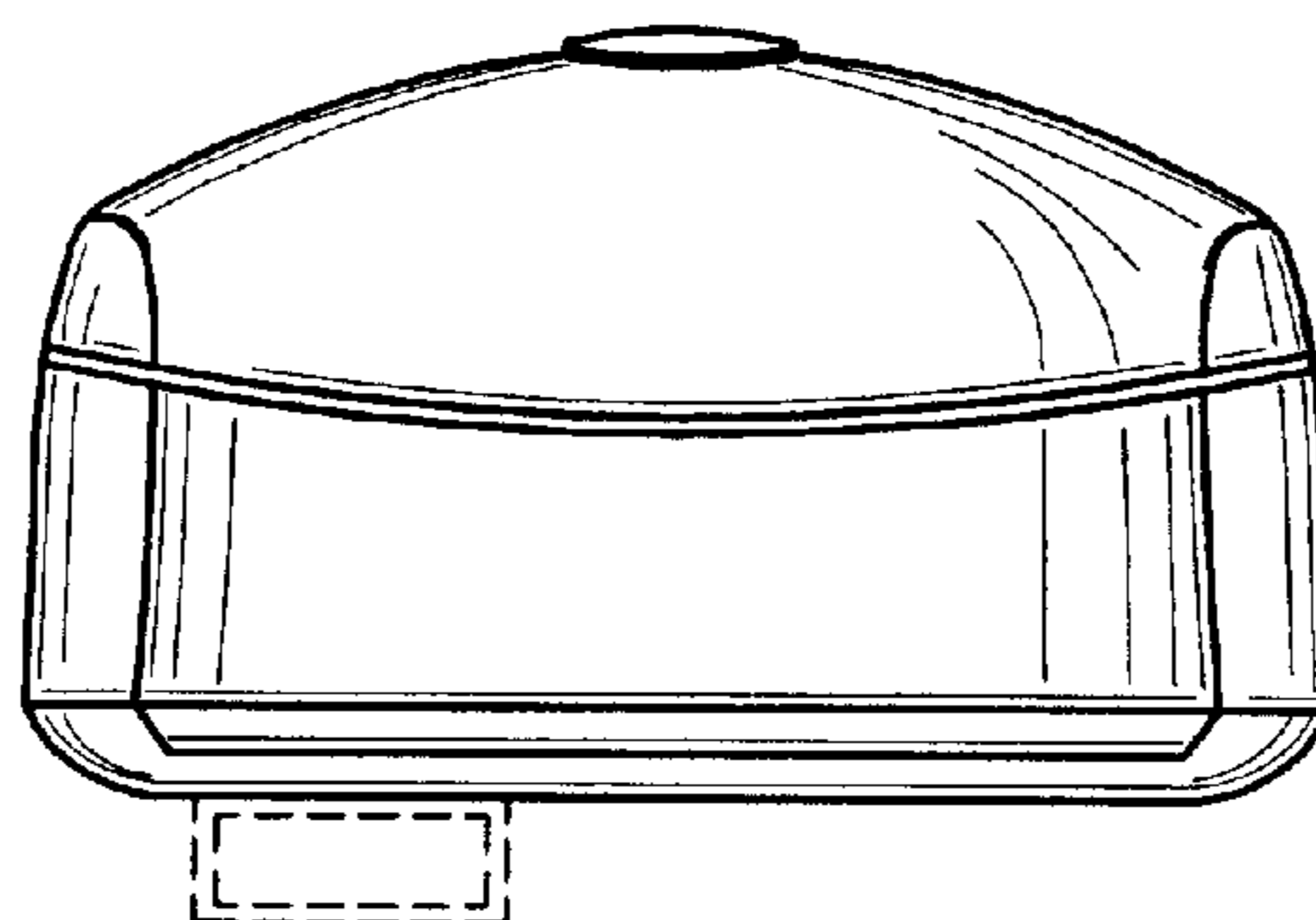
\* cited by examiner



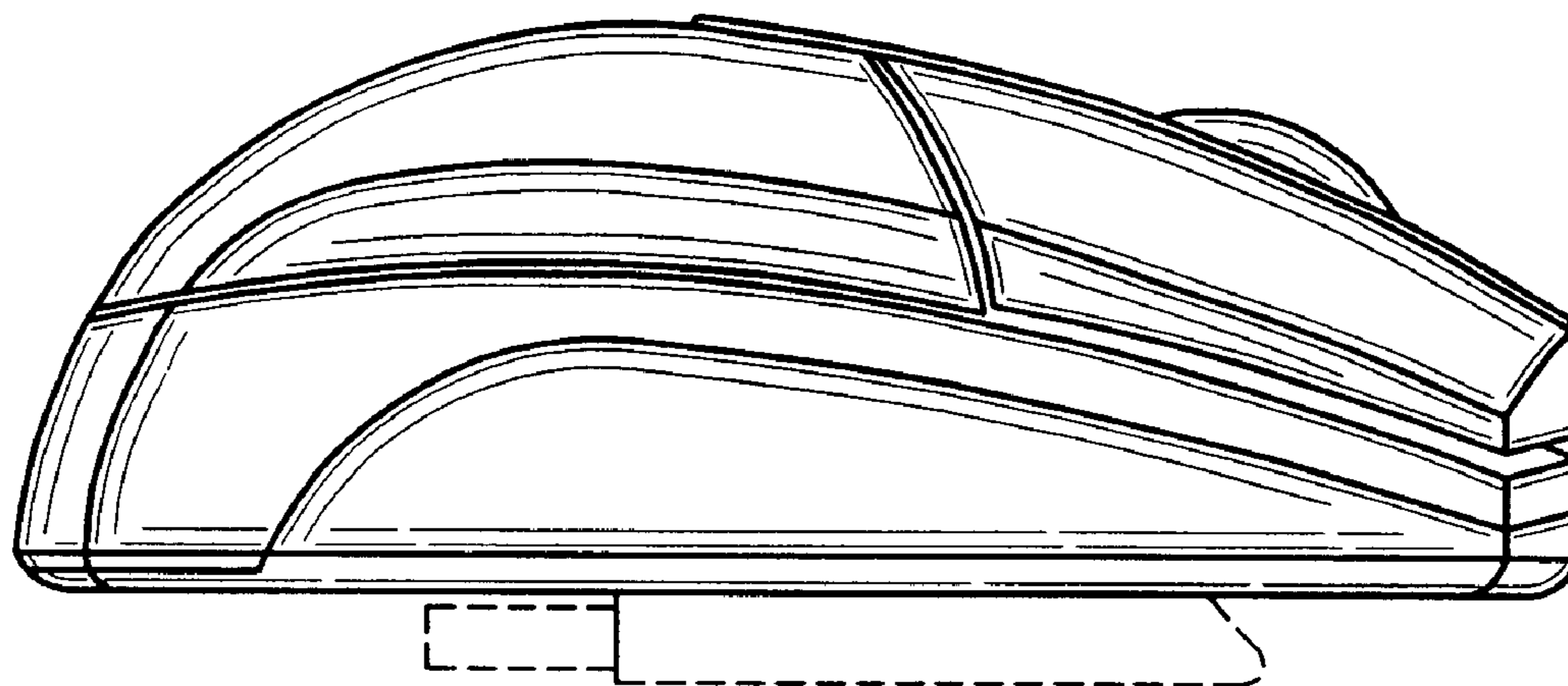
*FIG. 1*



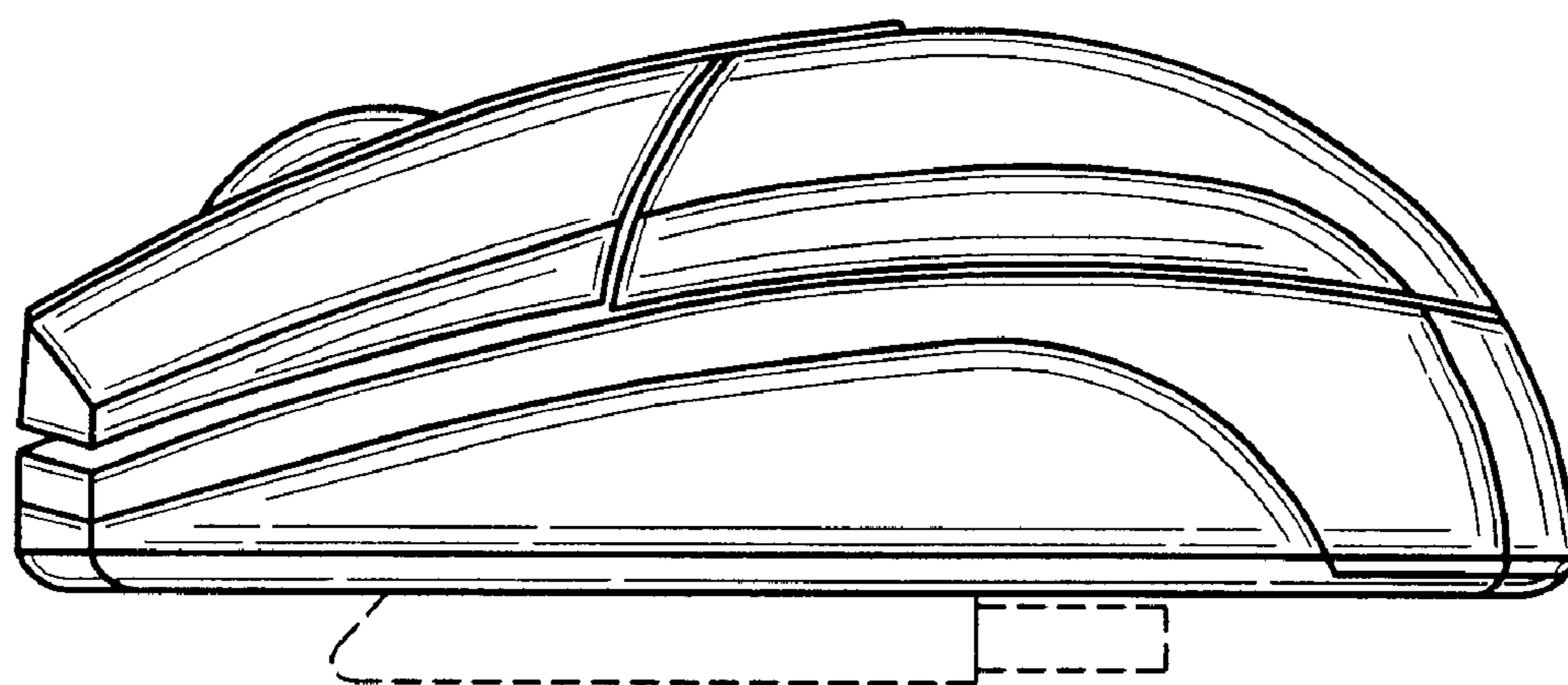
*FIG. 2*



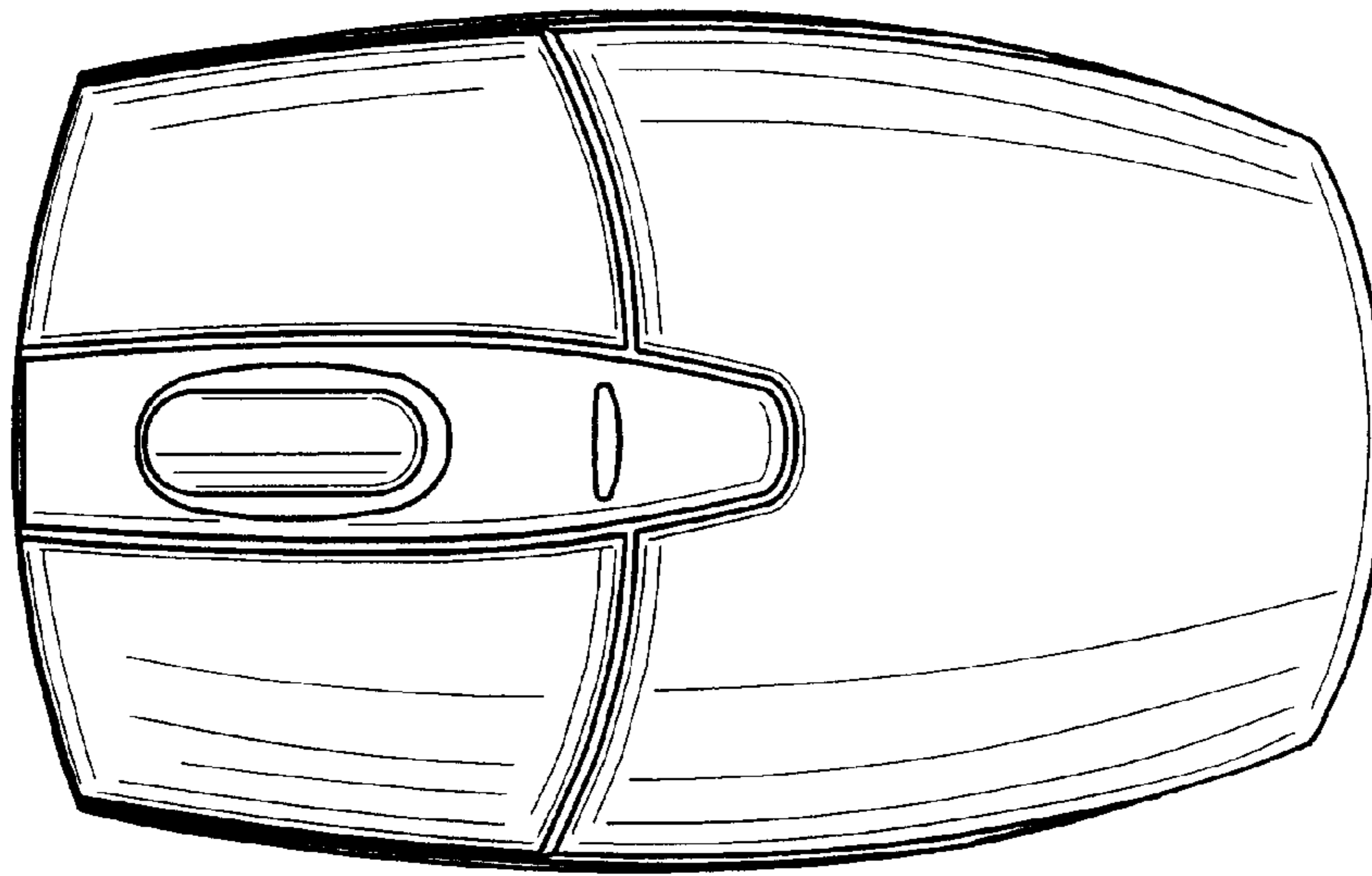
*FIG. 3*



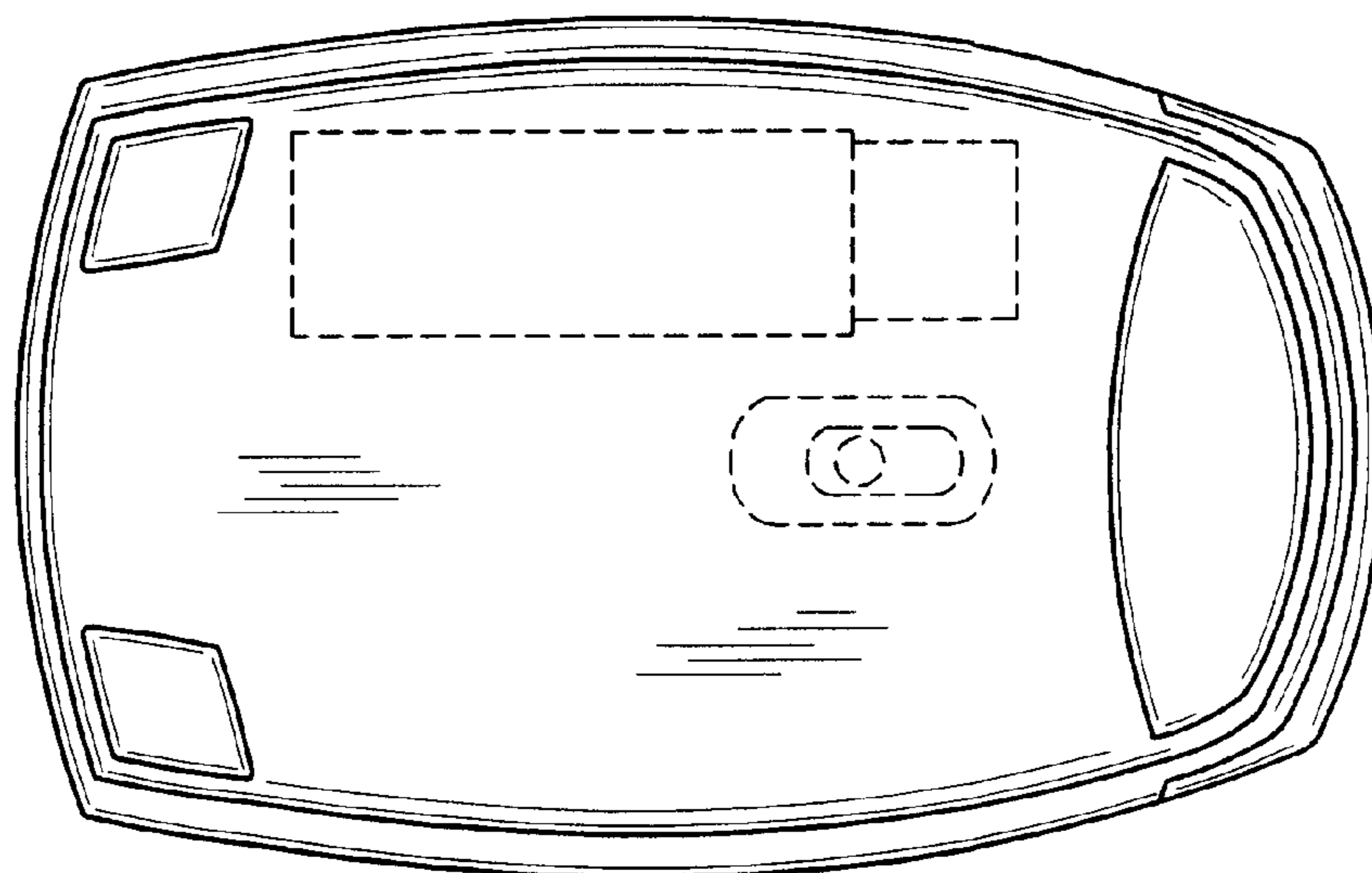
*FIG. 4*



*FIG. 5*



*FIG. 6*



*FIG. 7*