



US00D521511S

(12) **United States Design Patent**  
**Kim et al.**

(10) **Patent No.:** **US D521,511 S**  
(45) **Date of Patent:** **\*\* May 23, 2006**

(54) **LCD MONITOR**

(75) Inventors: **Ki-Soo Kim**, Seoul (KR); **Min-Hyong Boo**, Seoul (KR)

(73) Assignee: **Samsung Electronics Co., Ltd.**,  
Kyunggi-do (KR)

(\*\*) Term: **14 Years**

(21) Appl. No.: **29/231,236**

(22) Filed: **Jun. 2, 2005**

(51) **LOC (8) Cl.** ..... **14-02**

(52) **U.S. Cl.** ..... **D14/375**

(58) **Field of Classification Search** ..... D14/371-375,  
D14/125-129; 349/1, 2, 11, 62; 341/12; 345/104,  
345/156, 168, 173, 87, 1.1, 901-905; 348/180,  
348/184, 325, 739; 248/586, 183.3, 917-924  
See application file for complete search history.

(56) **References Cited**

**U.S. PATENT DOCUMENTS**

4,589,621	A	*	5/1986	Hunt et al.	.....	248/586
4,834,329	A	*	5/1989	Delapp	.....	248/183.3
D357,468	S		4/1995	Rodd		
D363,925	S	*	11/1995	Imai	.....	D14/375
5,668,570	A	*	9/1997	Ditzik	.....	345/173
D412,892	S		8/1999	Lee		
6,015,120	A		1/2000	Sweere et al.		
D458,927	S	*	6/2002	Wang et al.	.....	D14/375
D458,928	S		6/2002	Duan		
D468,311	S	*	1/2003	Lee	.....	D14/375
D477,320	S		7/2003	Peng et al.		
D486,486	S	*	2/2004	Jobs et al.	.....	D14/371
D489,370	S		5/2004	Jobs et al.		

**OTHER PUBLICATIONS**

U.S. Appl. No. 29/217,926, Applicant: Young-Jun Kim, et al., filed Nov. 23, 2004 entitled Projection Television.

U.S. Appl. No. 29/218,855, Applicant: Seung-Ho Lee, et al., filed Dec. 8, 2004 entitled LCD TV.

U.S. Appl. No. 29/218,856, Applicant: Seung-Ho Lee, et al., filed Dec. 8, 2004 entitled LCD TV.

U.S. Appl. No. 29/228,022, Applicant: Yun-Je Kang, et al., filed Apr. 19, 2005 entitled Projection Television.

U.S. Appl. No. 29/228,541, Applicant: Young-Sun Shin, et al., filed Apr. 15, 2005 entitled Television.

U.S. Appl. No. 29/228,026, Applicant: Yun-Je Kang, et al., filed Apr. 19, 2005 entitled Projection Television.

U.S. Appl. No. 29/228,024, Applicant: Ki-Soo Kim, et al., filed Apr. 19, 2005 entitled LCD Television.

U.S. Appl. No. 29/212,121, Applicant: Eui-Seok Kim, filed Aug. 26, 2004 entitled LCD Monitor.

U.S. Appl. No. 29/231,241, Applicant: Young-Jun Kim, et al., filed Jun. 2, 2005 entitled Monitor.

U.S. Appl. No. 29/231,924, Applicant: Sang-Il Park, et al., filed Jun. 10, 2005 entitled LCD Monitor.

U.S. Appl. No. 29/231,925, Applicant: Sang-Il Park, et al., filed Jun. 10, 2005 entitled LCD Monitor.

\* cited by examiner

*Primary Examiner*—Freda S. Nunn

(74) *Attorney, Agent, or Firm*—Flynn, Thiel, Boutell & Tanis, P.C.

(57) **CLAIM**

The ornamental design for a LCD monitor, as shown and described.

**DESCRIPTION**

FIG. 1. is a top front perspective view of a LCD monitor showing our new design.

FIG. 2. is a front elevational view thereof.

FIG. 3. is a rear elevational view thereof.

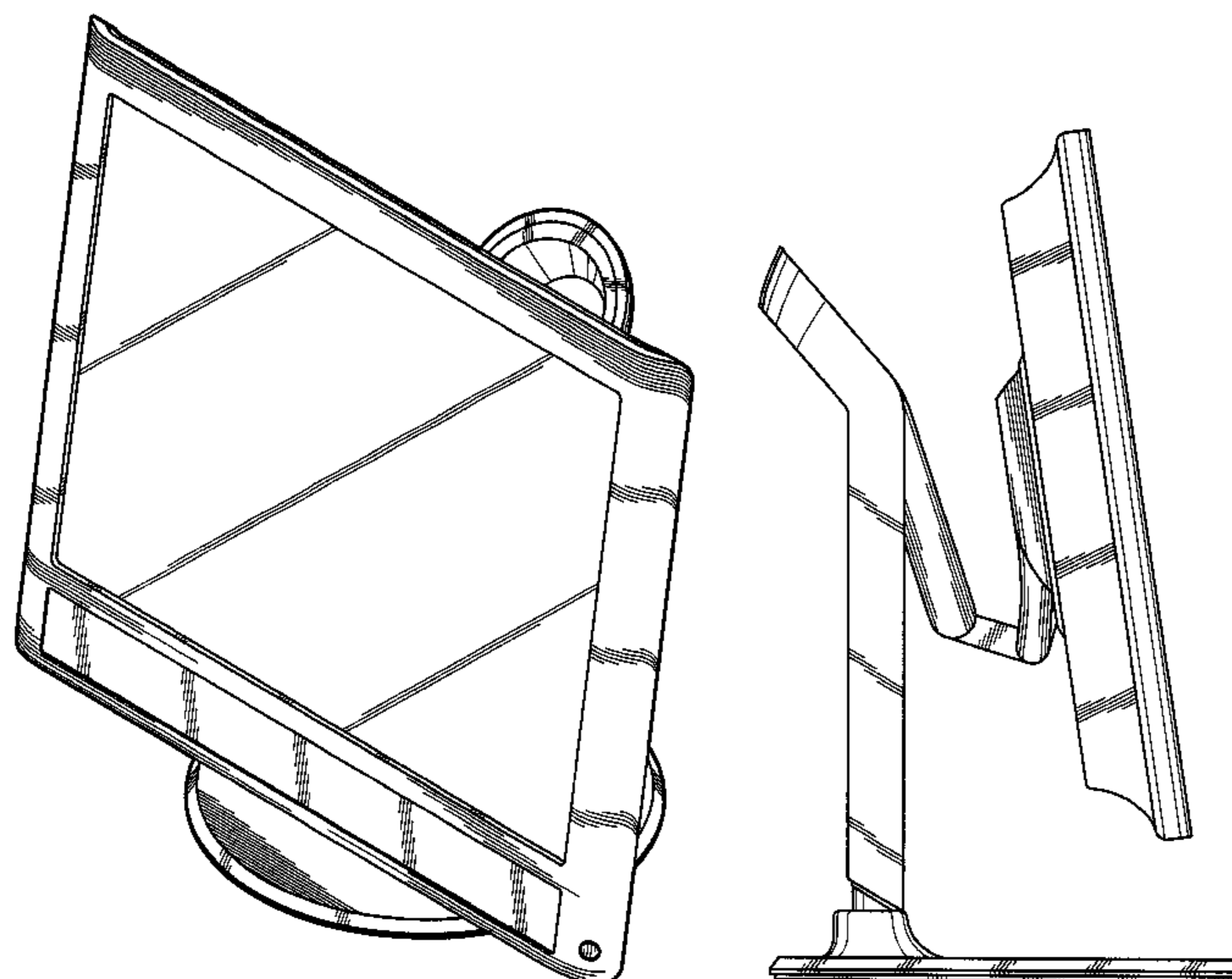
FIG. 4. is a left side elevational view thereof.

FIG. 5. is a right side elevational view thereof.

FIG. 6. is a top plan view thereof; and,

FIG. 7. is a bottom plan view thereof.

**1 Claim, 6 Drawing Sheets**



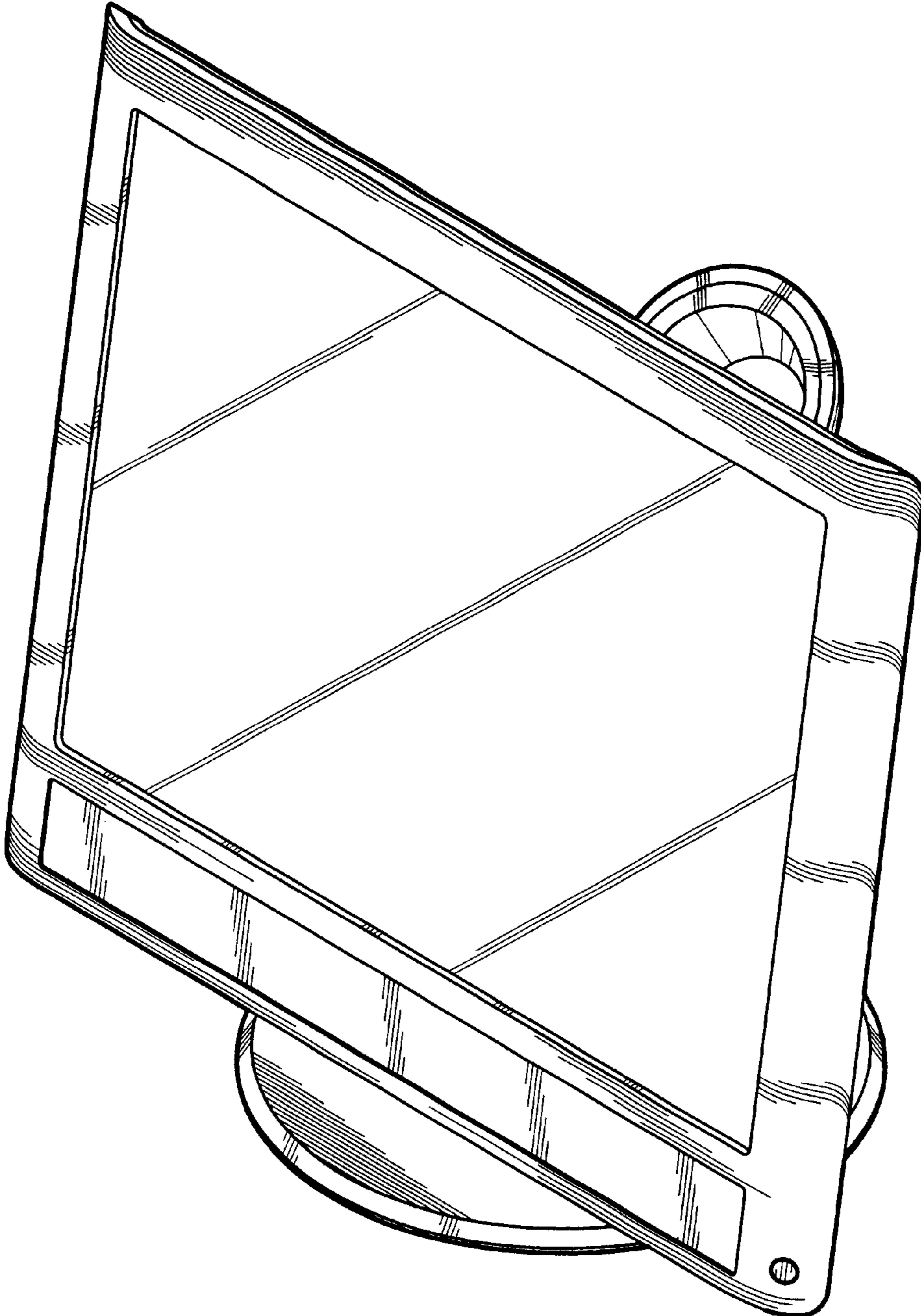


FIG. 1

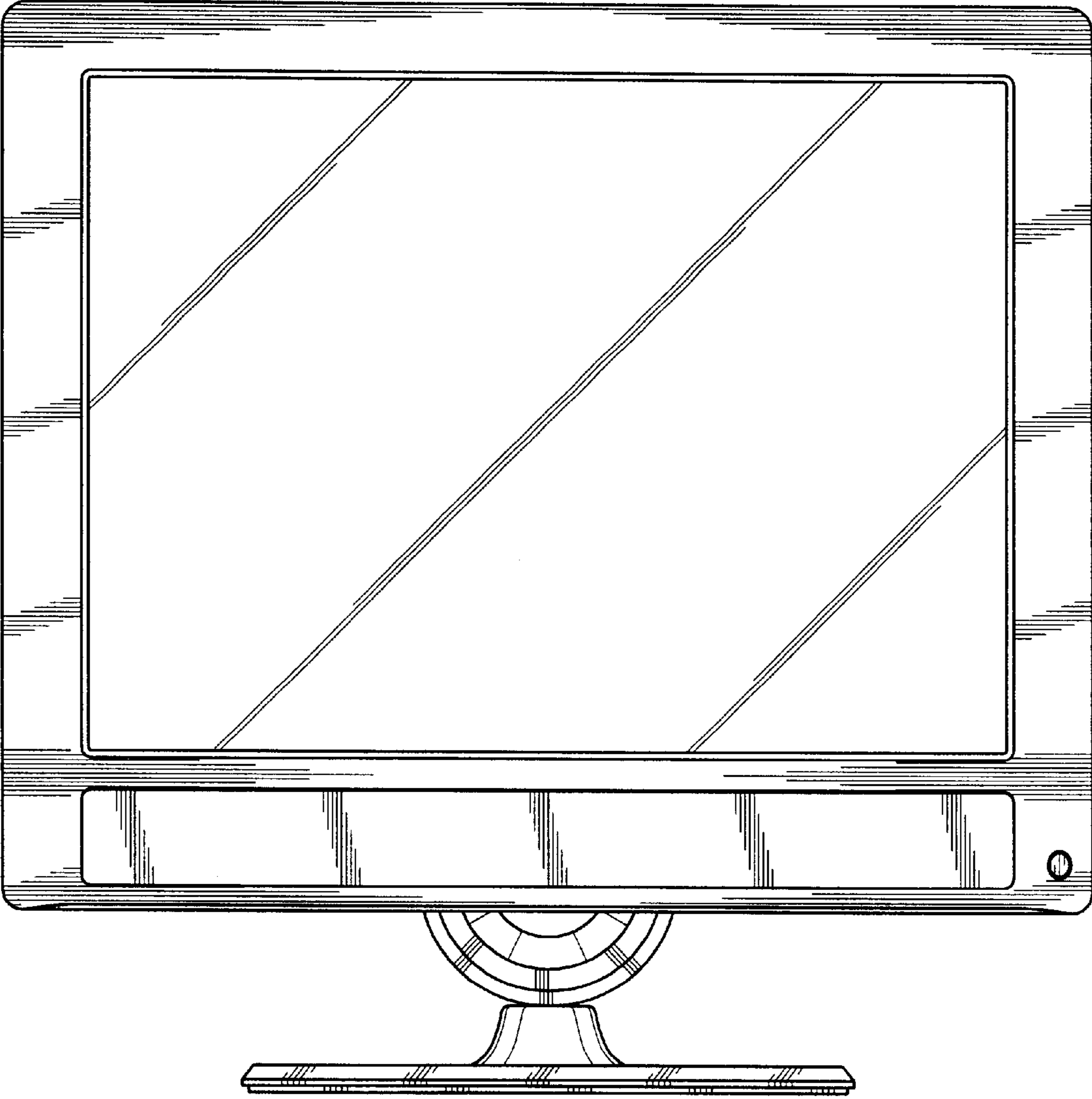


FIG. 2

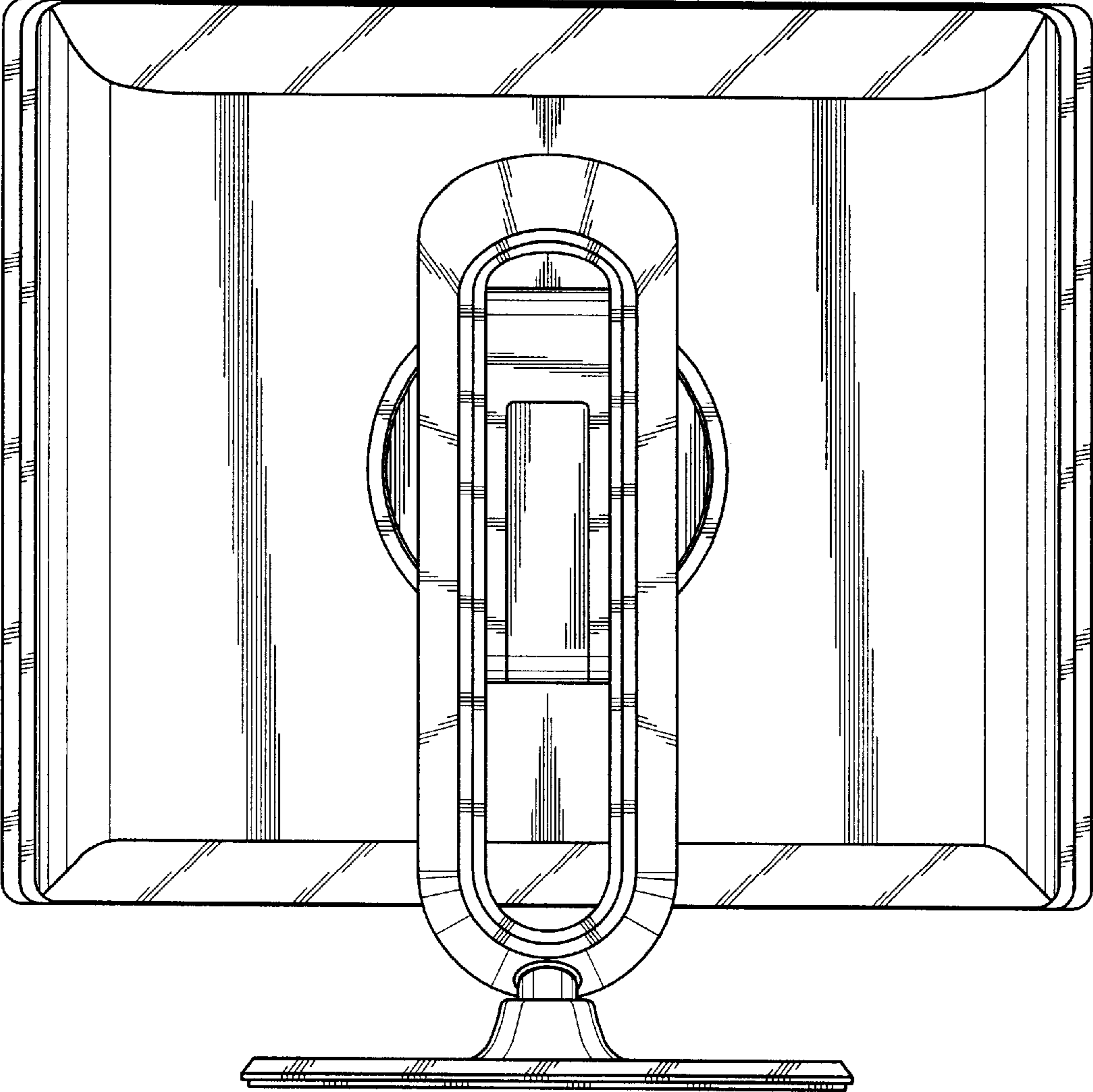


FIG.3

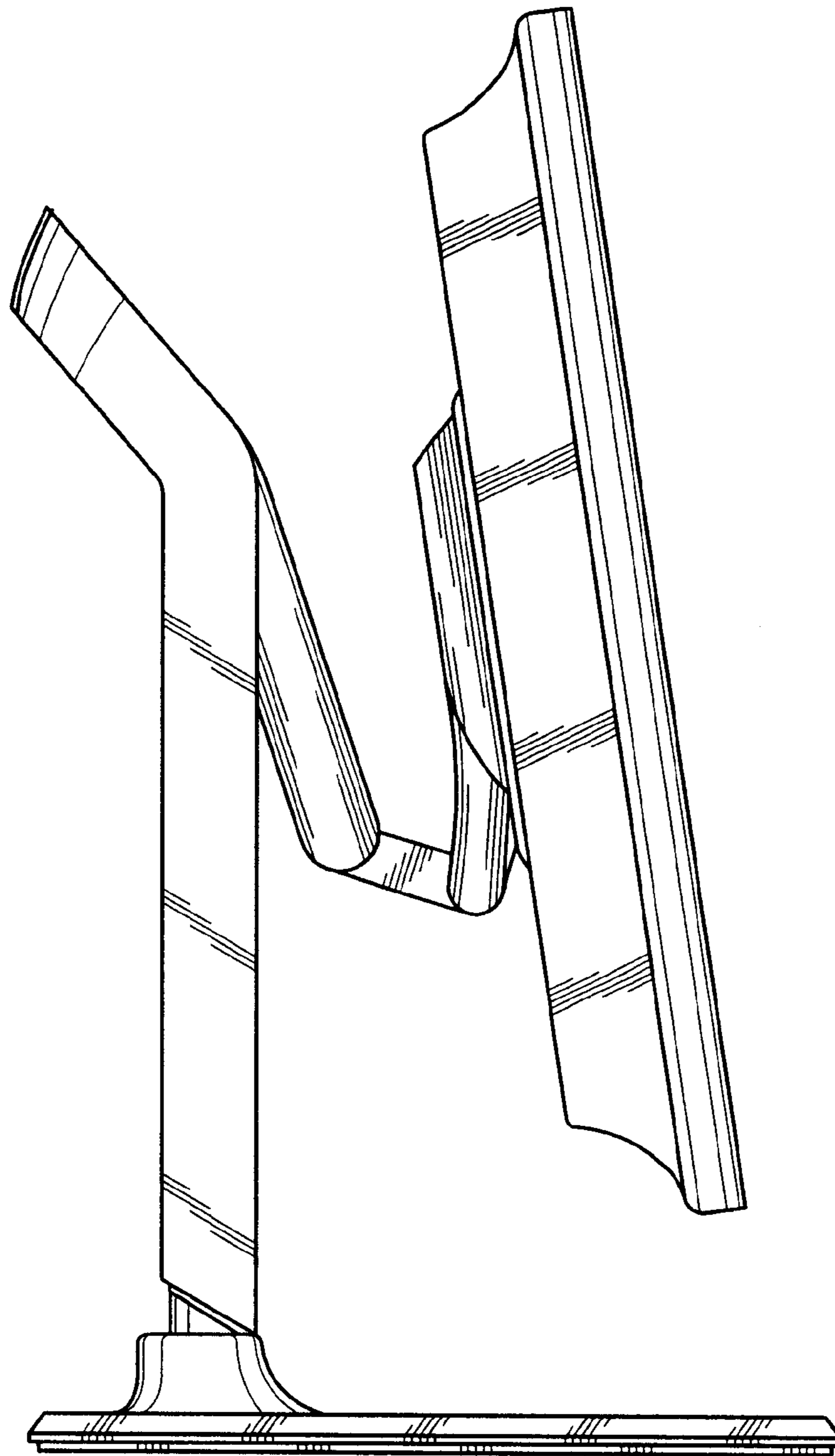


FIG. 4

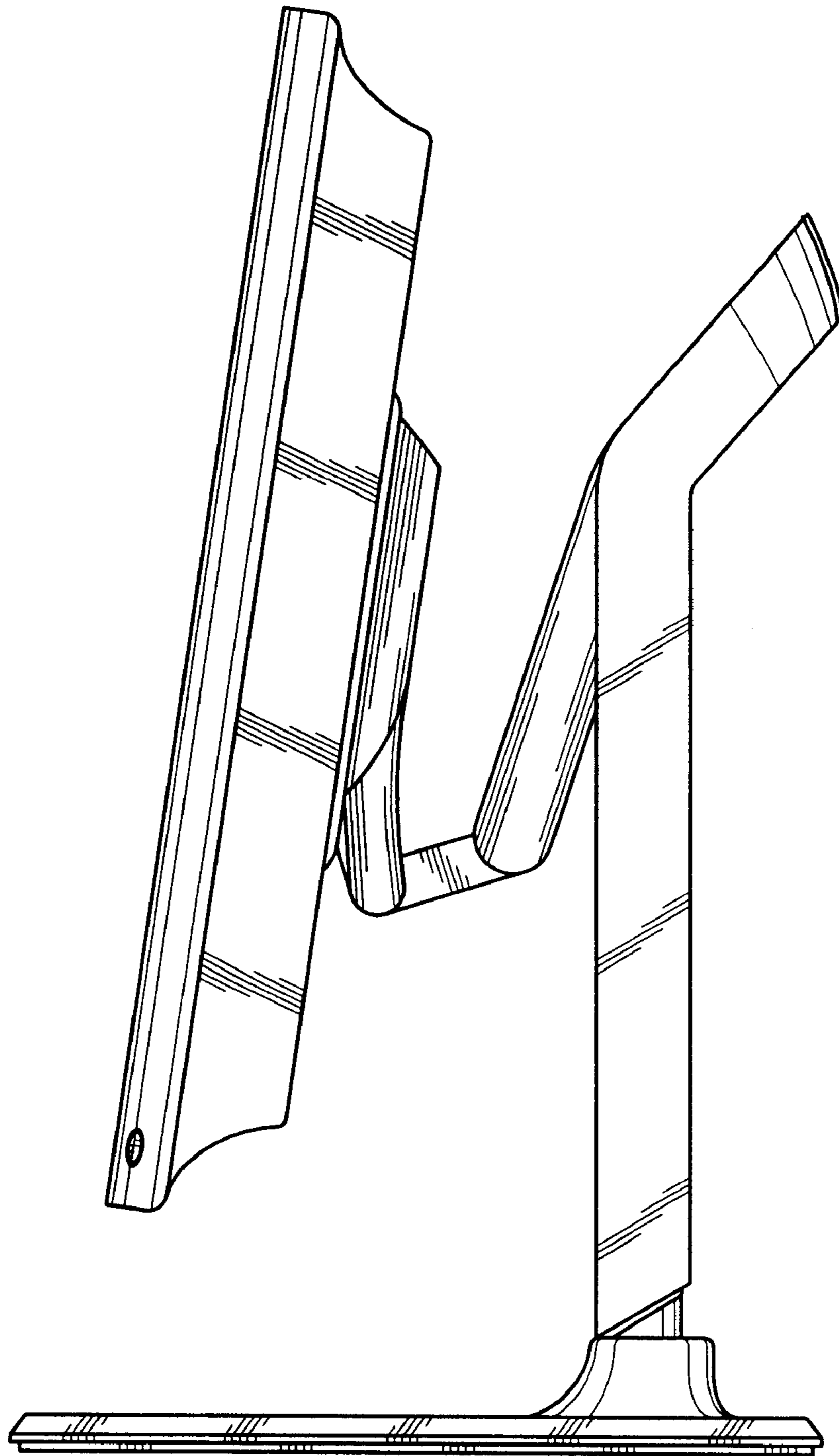


FIG. 5

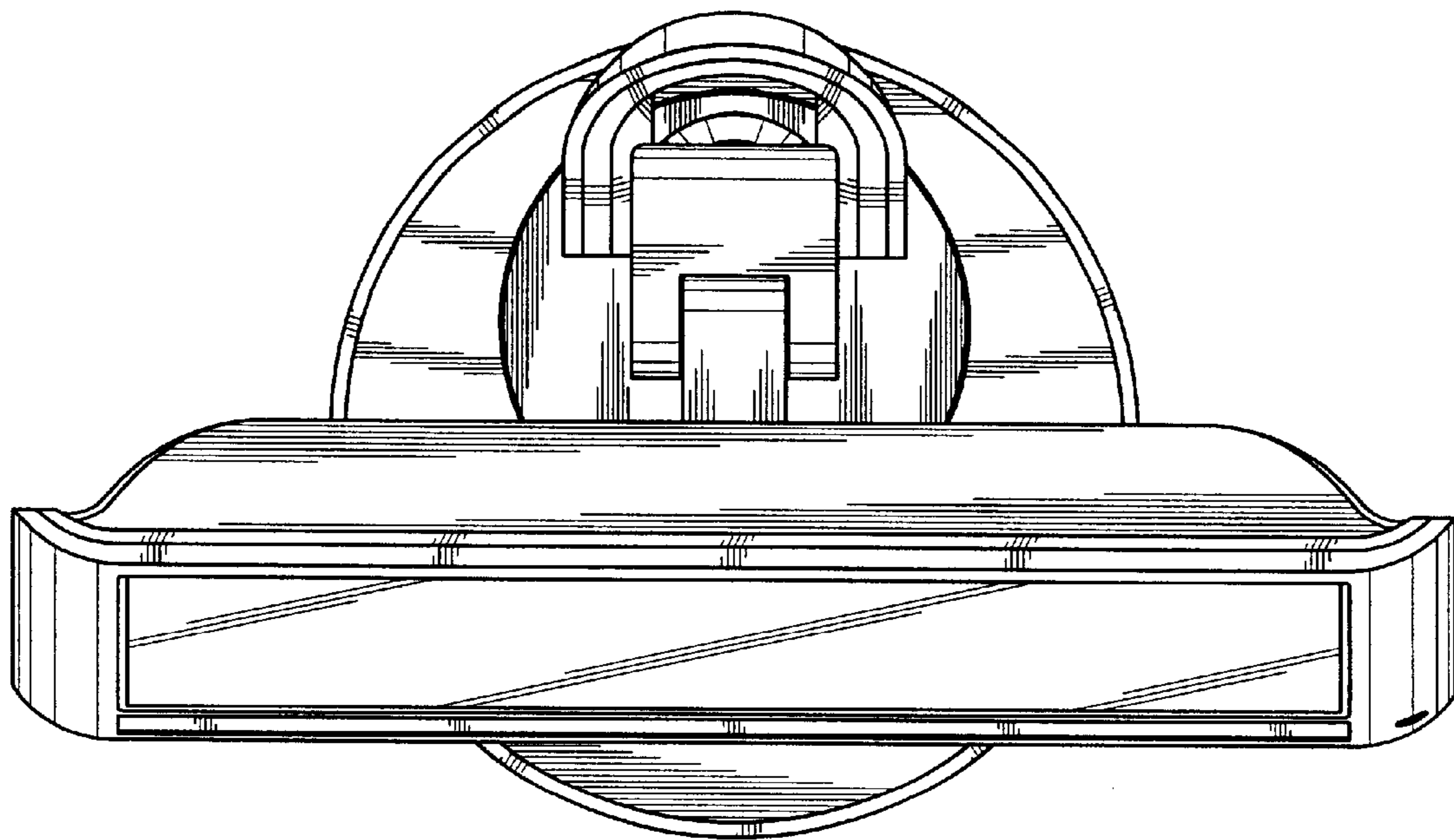


FIG. 6

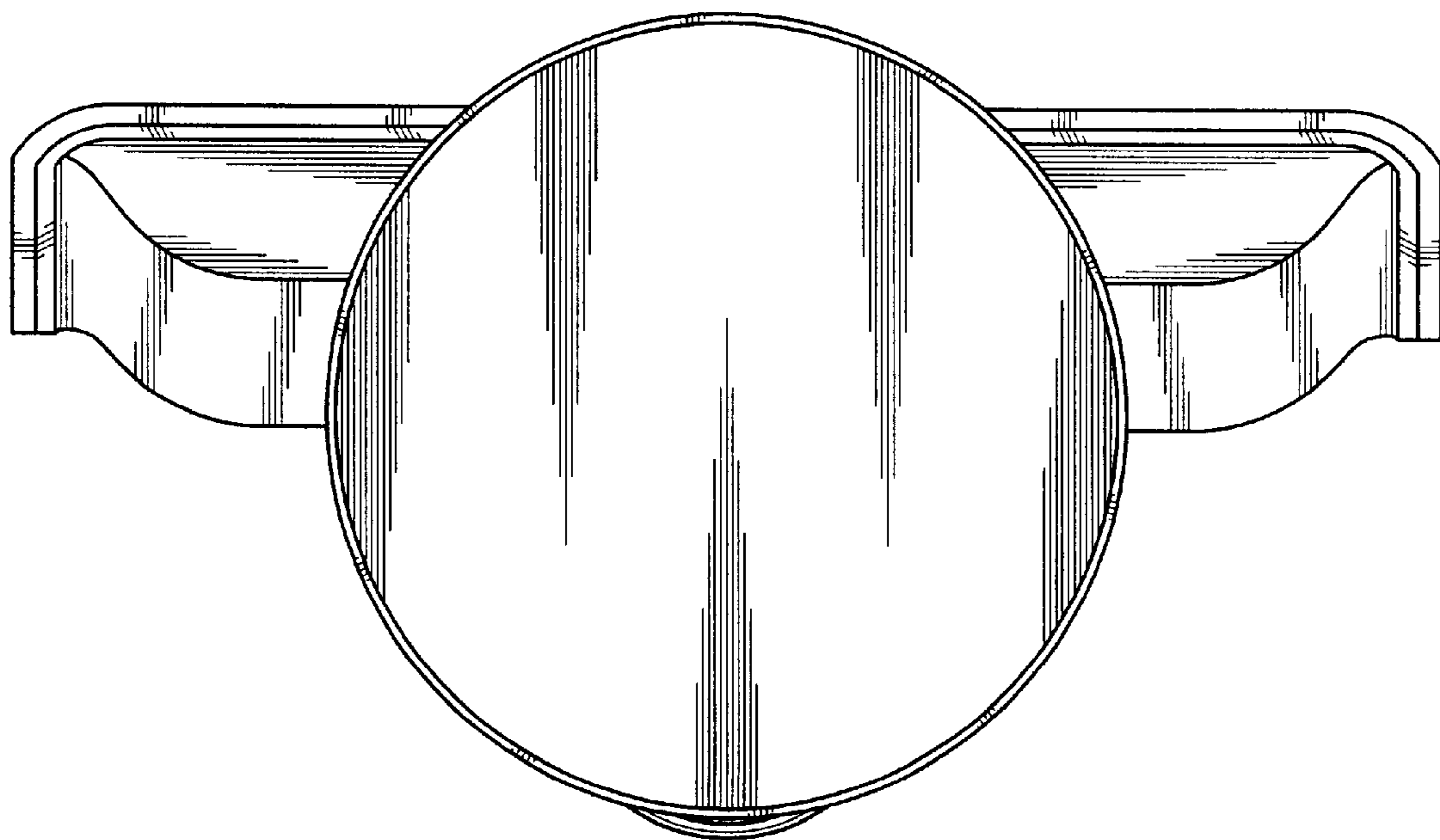


FIG. 7