



US00D521510S

(12) **United States Design Patent**
Yao

(10) **Patent No.:** **US D521,510 S**

(45) **Date of Patent:** **** May 23, 2006**

(54) **NETWORK DEVICE**

(75) Inventor: **Jung-Ying Yao**, Hsinchu (TW)

(73) Assignee: **D-Link Corporation**, Hsinchu (TW)

(**) Term: **14 Years**

(21) Appl. No.: **29/233,844**

(22) Filed: **Jul. 12, 2005**

(51) **LOC (8) Cl.** **14-02**

(52) **U.S. Cl.** **D14/356**

(58) **Field of Classification Search** D14/156,
D14/167, 240-3, 256, 299, 301, 319, 348-9,
D14/351-2, 354, 356-61, 363, 366-8, 385;
D13/103, 123, 152, 184, 124, 199; 379/413.04;
220/4.01-4.02; 361/679, 685-6; 711/100
See application file for complete search history.

(56) **References Cited**

U.S. PATENT DOCUMENTS

- D307,136 S * 4/1990 Boyer et al. D14/388
- D314,183 S * 1/1991 Wong D13/160
- D350,533 S * 9/1994 Grosskurth et al. D13/184

- 5,503,472 A * 4/1996 Vu et al. 312/223.2
- D381,319 S * 7/1997 Nogas D14/313
- D392,645 S * 3/1998 Wakabayashi D14/240
- D414,183 S * 9/1999 Honjo D14/156
- 6,041,956 A * 3/2000 Kao 220/4.02
- D473,223 S * 4/2003 Pullman D14/240

* cited by examiner

Primary Examiner—Robin Webster

Assistant Examiner—Karen E. Patterson

(74) *Attorney, Agent, or Firm*—Bacon & Thomas, PLLC

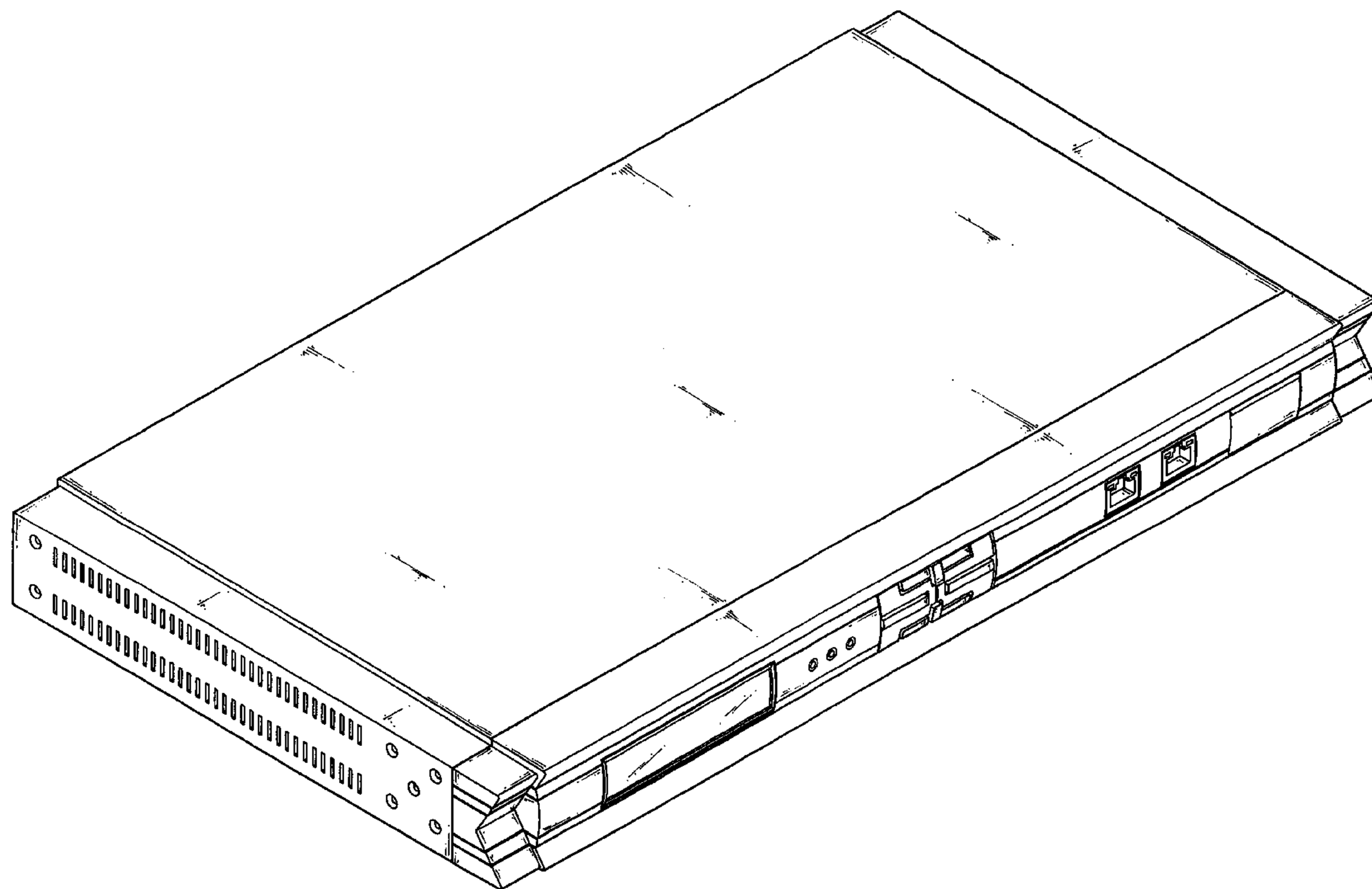
(57) **CLAIM**

The ornamental design for a network device, as shown.

DESCRIPTION

FIG. 1 is a perspective view of a network device showing my new design;
 FIG. 2 is a front elevational view thereof;
 FIG. 3 is a rear elevational view thereof;
 FIG. 4 is a left side elevational view thereof;
 FIG. 5 is a right side elevational view thereof;
 FIG. 6 is a top plan view thereof; and,
 FIG. 7 is a bottom plan view thereof.

1 Claim, 5 Drawing Sheets



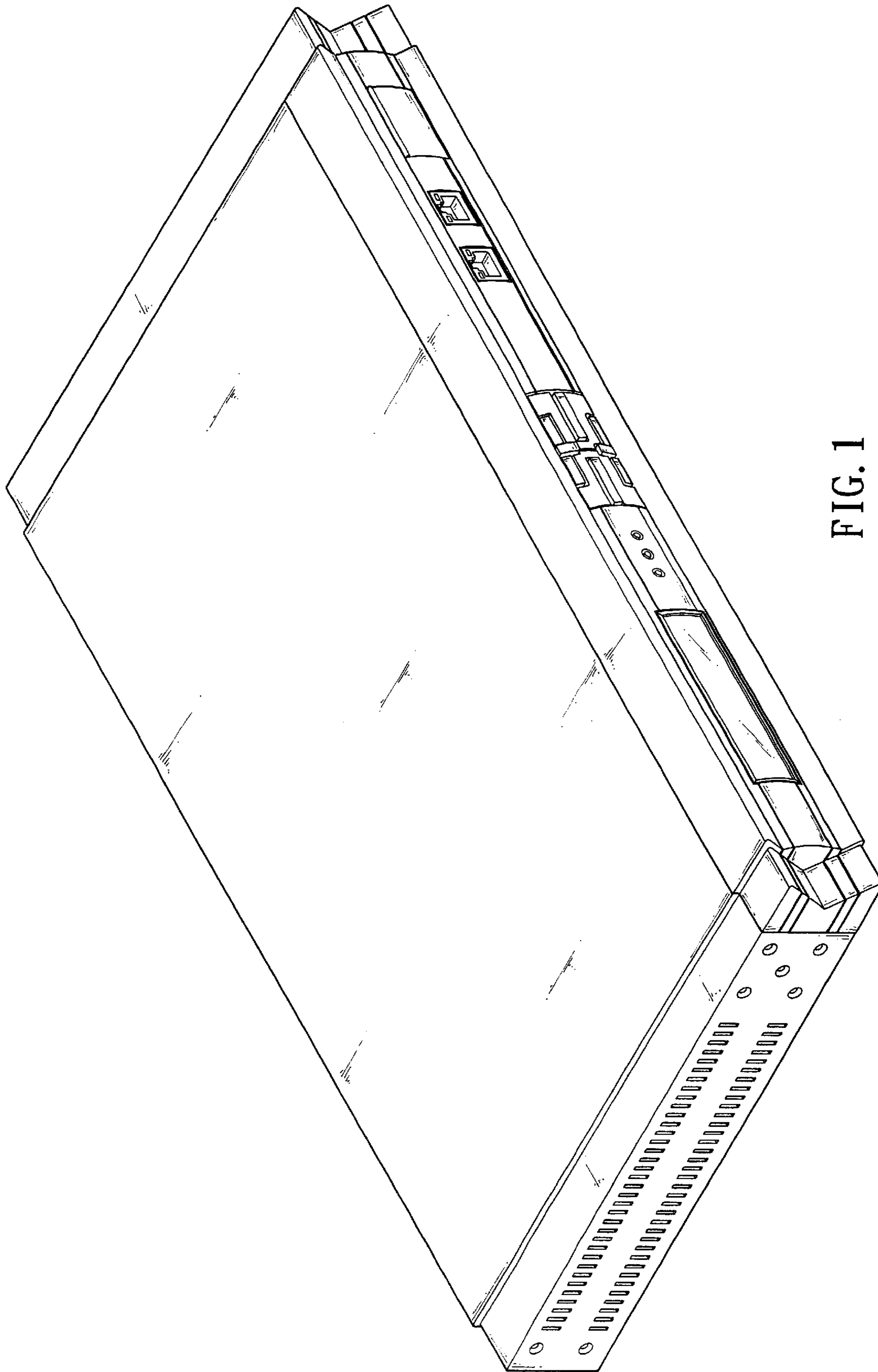


FIG. 1

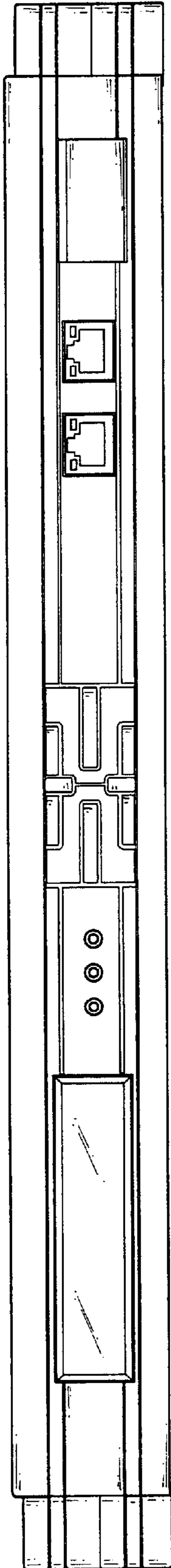


FIG. 2

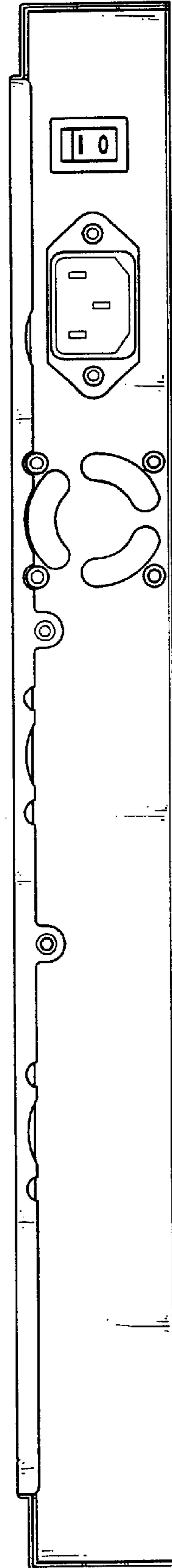


FIG. 3

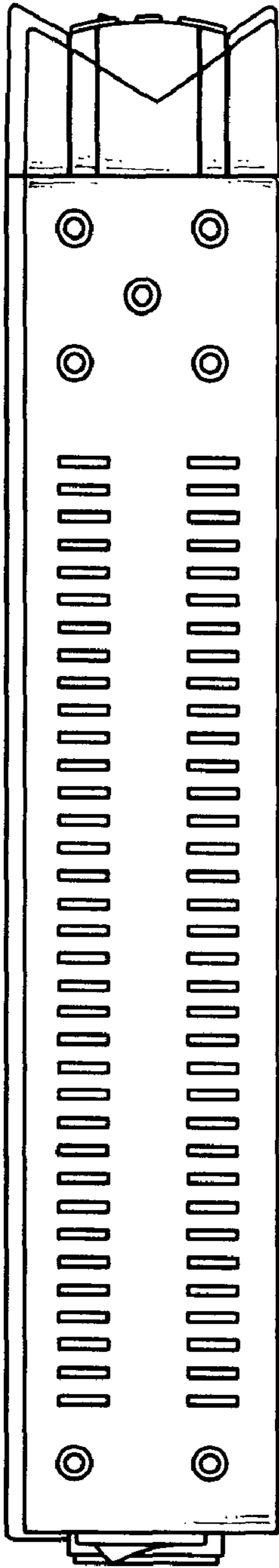


FIG. 4

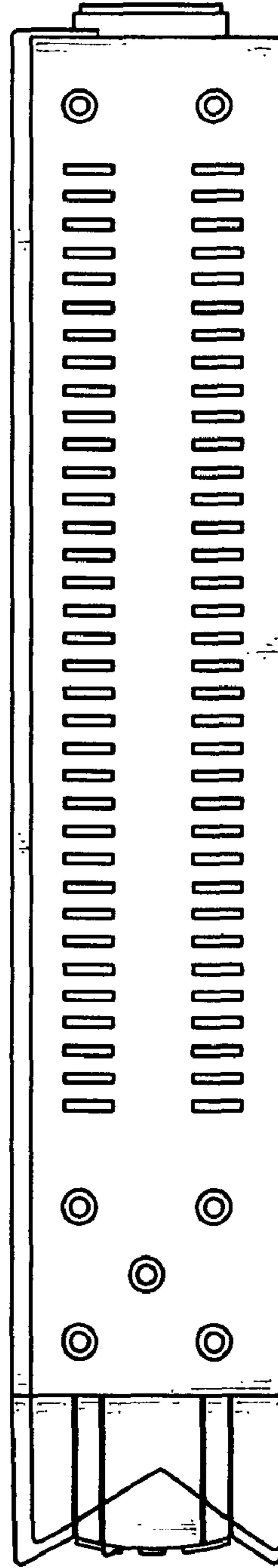


FIG. 5

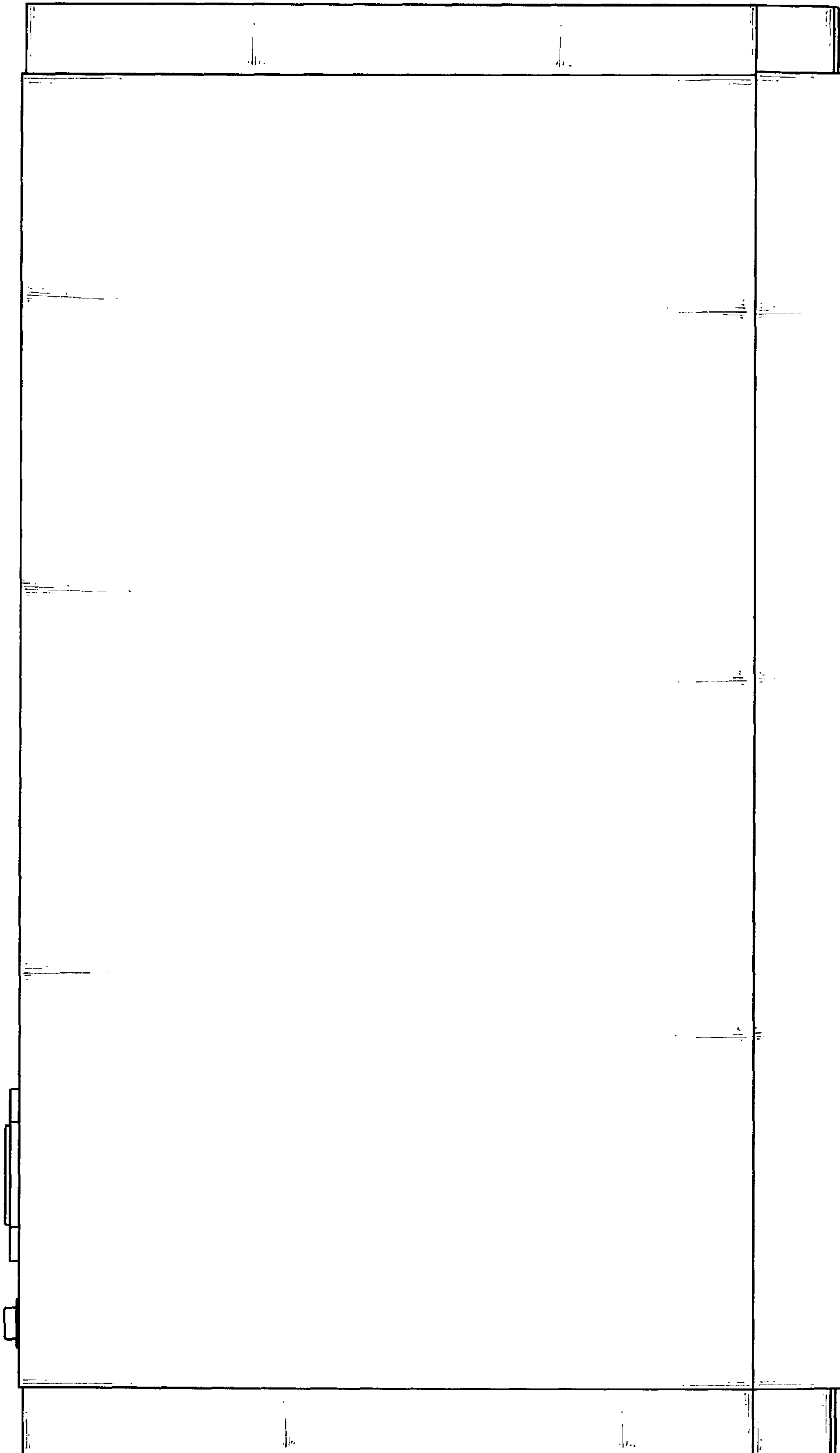


FIG. 6

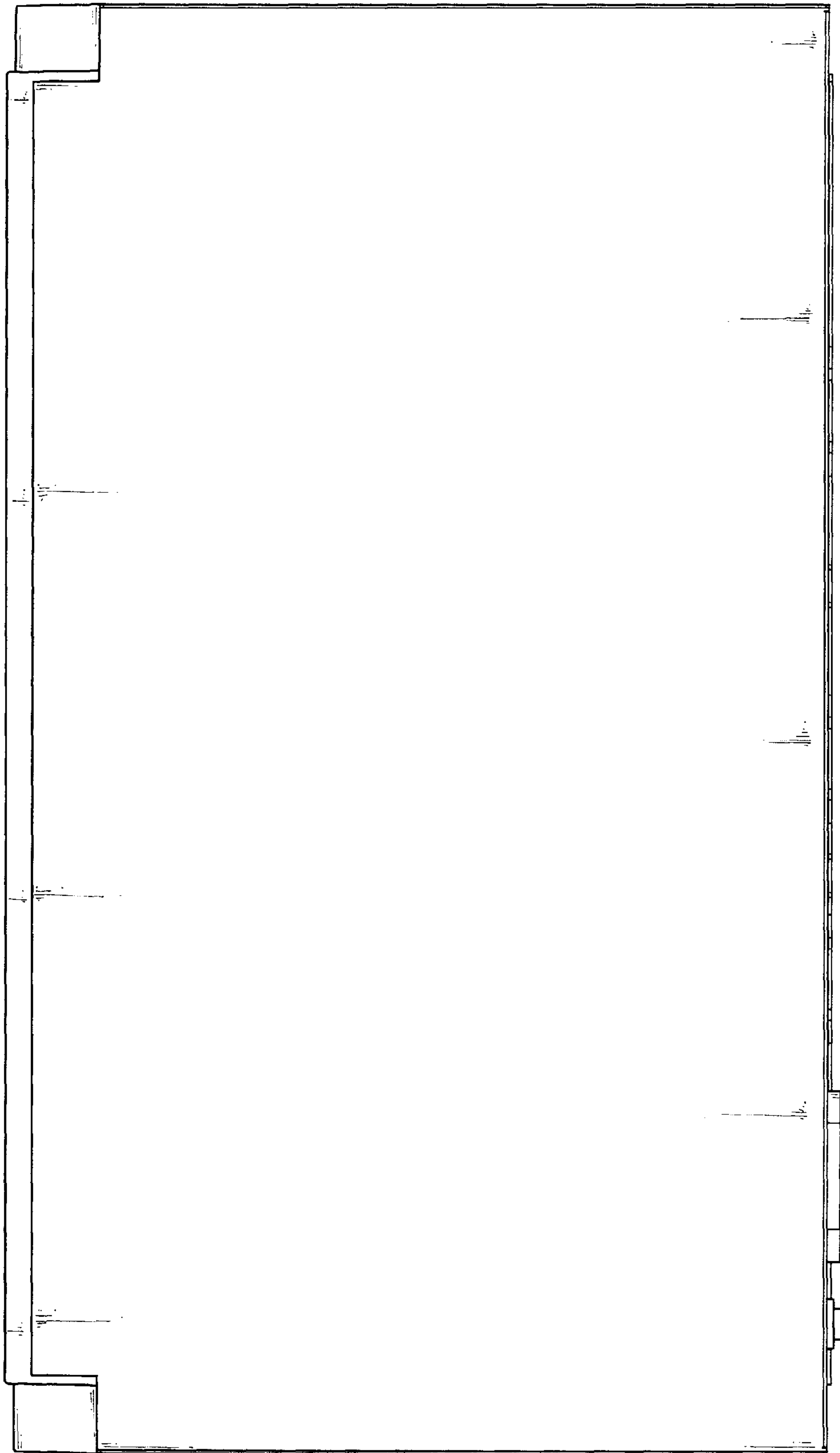


FIG. 7