



US00D521498S

(12) **United States Design Patent**  
**Omori et al.**

(10) **Patent No.:** **US D521,498 S**

(45) **Date of Patent:** **\*\* May 23, 2006**

(54) **SPEAKER**

(75) Inventors: **Tatsuya Omori**, Uji (JP); **Hidekazu Tanaka**, Singapore (SG); **Takayuki Murayama**, Singapore (SG); **Takashi Sabato**, Mie-ken (JP); **Andrew Tan Chee Kian**, Singapore (SG); **Tan Mei Ling**, Singapore (SG); **Ng Li Kiat**, Singapore (SG); **William Teo Bun Tjuang**, Singapore (SG)

(73) Assignee: **Matsushita Electric Industrial Co., Ltd.**, Osaka (JP)

(\*\*) Term: **14 Years**

(21) Appl. No.: **29/217,173**

(22) Filed: **Nov. 12, 2004**

(30) **Foreign Application Priority Data**

May 14, 2004 (JP) ..... 2004-014341

(51) **LOC (8) Cl.** ..... **14-01**

(52) **U.S. Cl.** ..... **D14/215**

(58) **Field of Classification Search** ..... D14/204,  
D14/207, 209–216, 356; 181/143–144, 147–148,  
181/150, 157, 198–199, 151, 153; 381/300–302,  
381/306, 333, 345, 361–364, 386–388, 332,  
381/336

See application file for complete search history.

(56) **References Cited**

**U.S. PATENT DOCUMENTS**

D222,676 S 11/1971 Ishikawa

4,168,762 A	9/1979	Griffin, Jr.	
4,805,729 A	2/1989	Wascom	
D319,446 S	* 8/1991	Yamamoto	..... D14/215
5,546,468 A	* 8/1996	Beard	..... 381/86
D379,629 S	6/1997	Watson et al.	
D384,668 S	10/1997	Yoneda	
D398,008 S	9/1998	Yamakawa et al.	
D425,896 S	5/2000	Ito et al.	
D434,751 S	12/2000	Sogabe et al.	
D439,238 S	3/2001	Mackie et al.	
D484,115 S	12/2003	Nishii et al.	
D485,543 S	* 1/2004	Allen	..... D14/214
D491,167 S	* 6/2004	Yokoyama	..... D14/215
D496,026 S	* 9/2004	Silverstein	..... D14/214
D498,471 S	* 11/2004	Solland et al.	..... D14/215

\* cited by examiner

*Primary Examiner*—Nanda Bondade

(74) *Attorney, Agent, or Firm*—Brinks Hofer Gilson & Lione

(57) **CLAIM**

We claim the ornamental design for a speaker, as shown and described.

**DESCRIPTION**

FIG. 1 is a top perspective view of a speaker of the present invention;

FIG. 2 is a front view thereof;

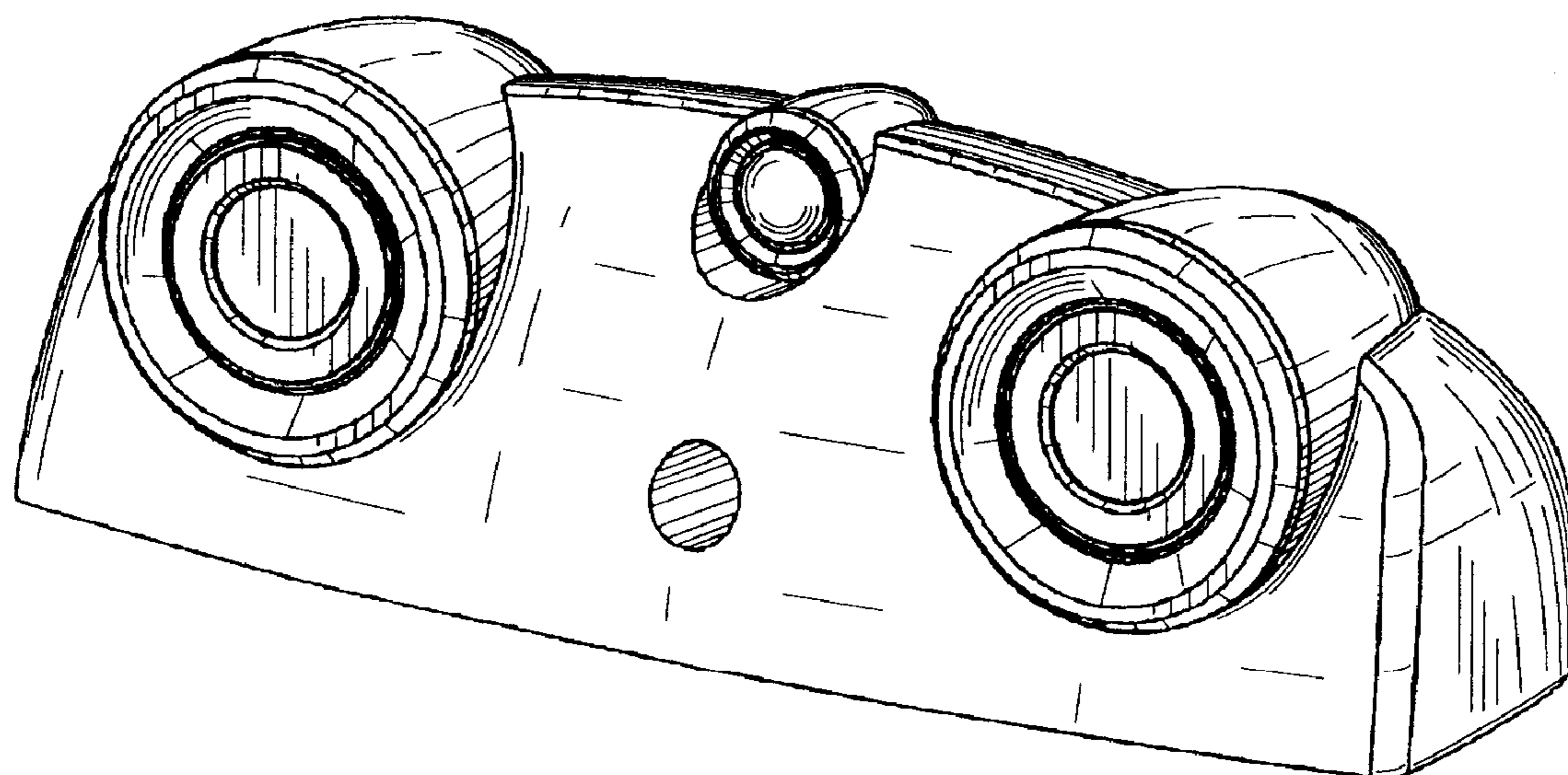
FIG. 3 is a rear view thereof;

FIG. 4 is a right side view thereof, the left side being a mirror image;

FIG. 5 is a top view thereof; and,

FIG. 6 is a bottom view thereof.

**1 Claim, 6 Drawing Sheets**



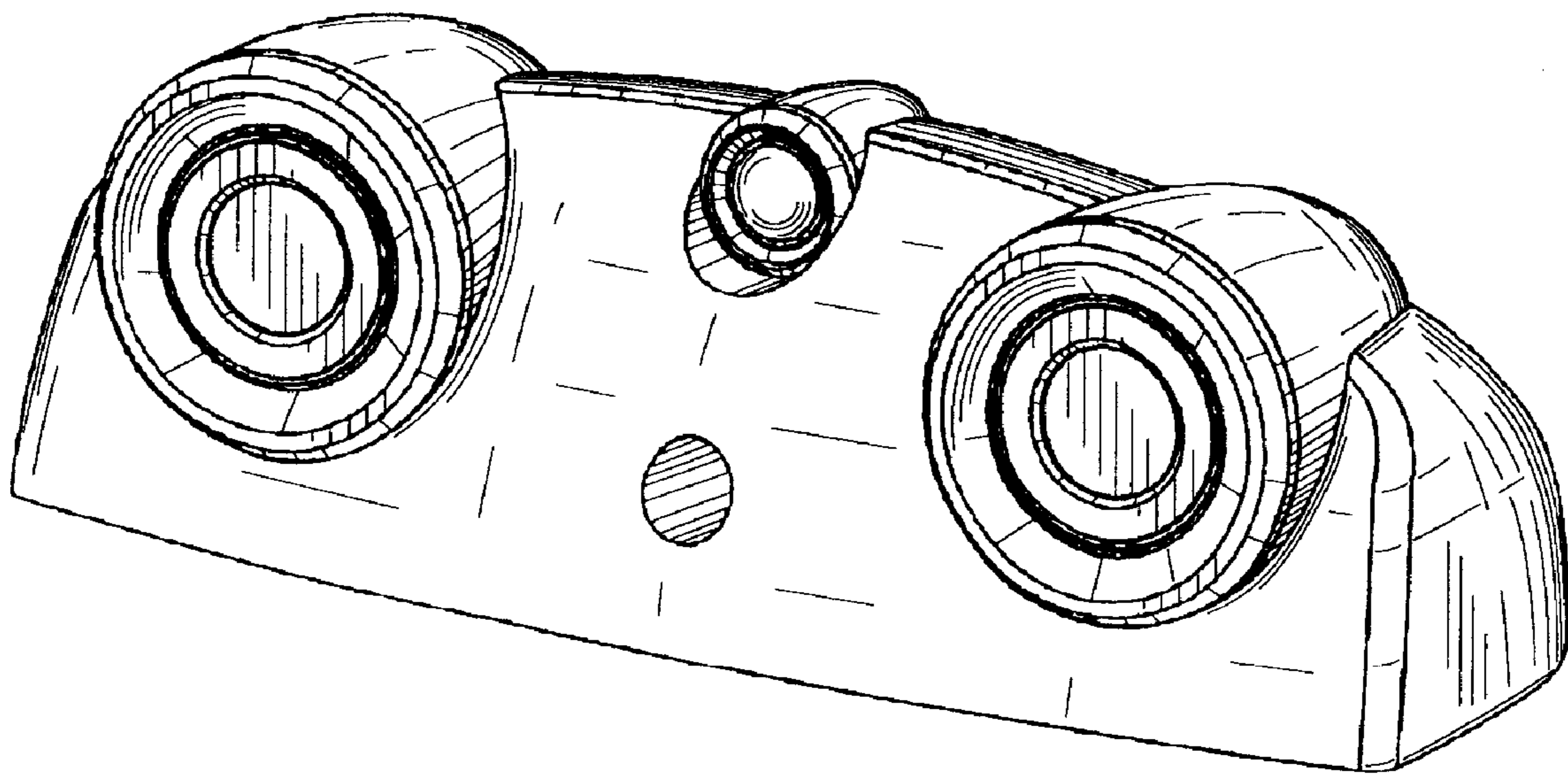


FIG. 1

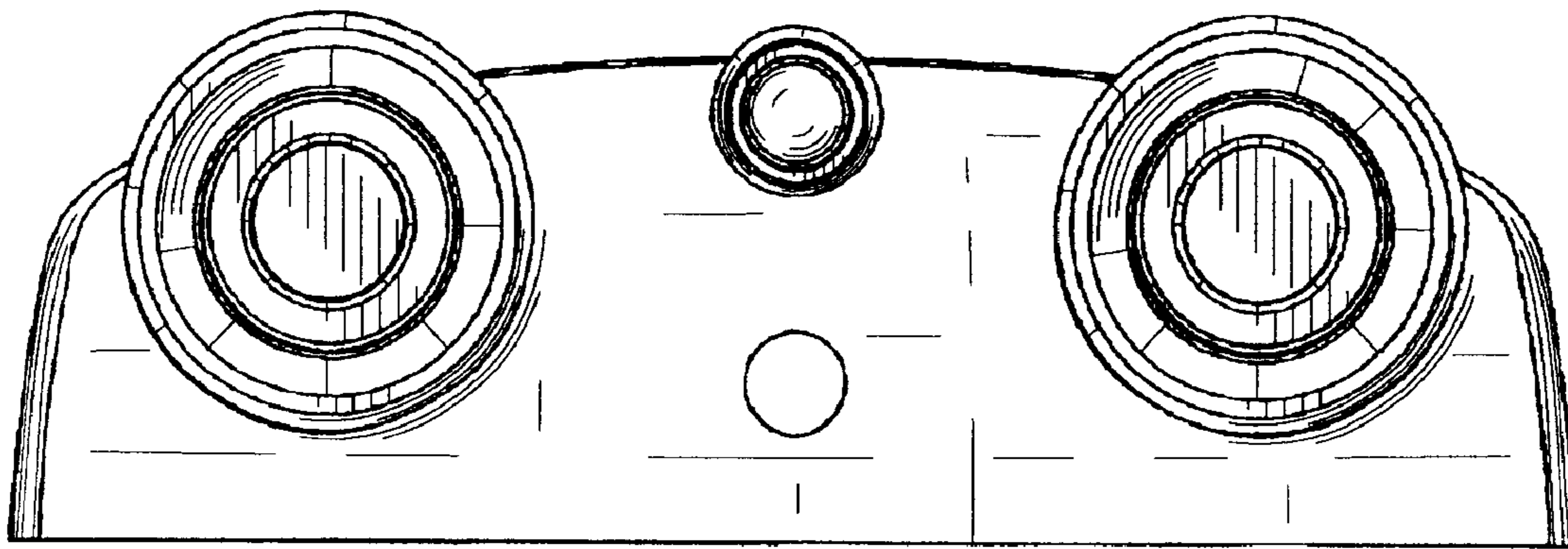


FIG. 2

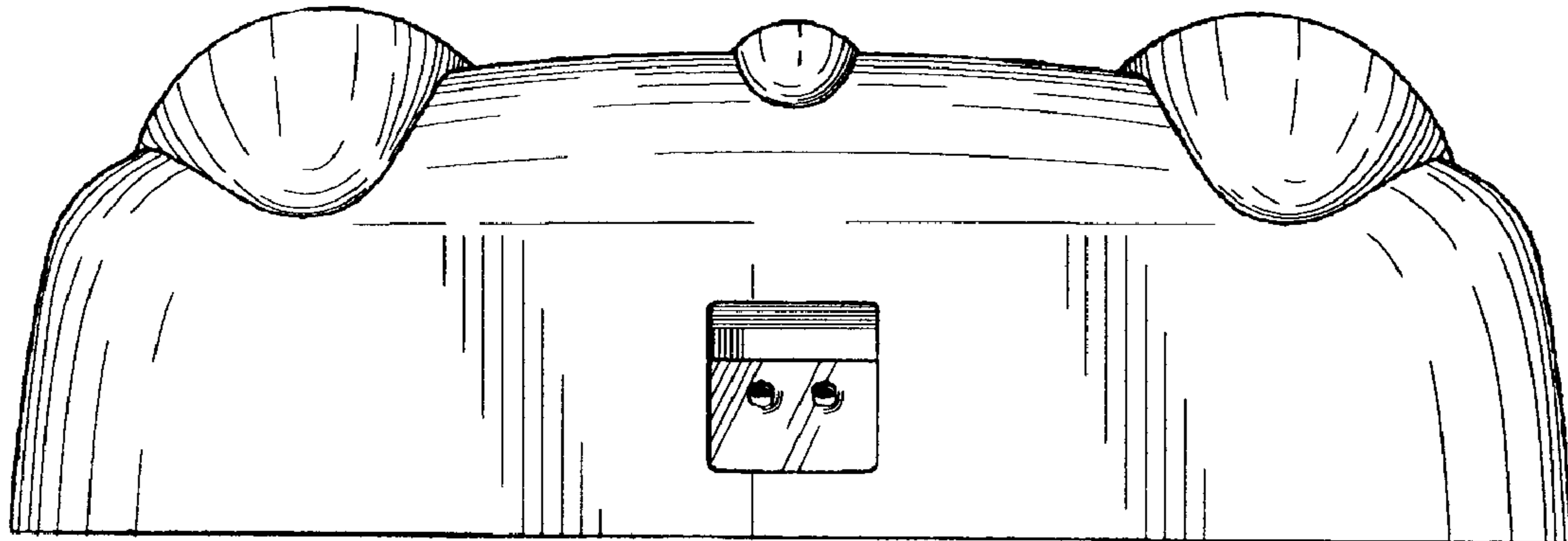
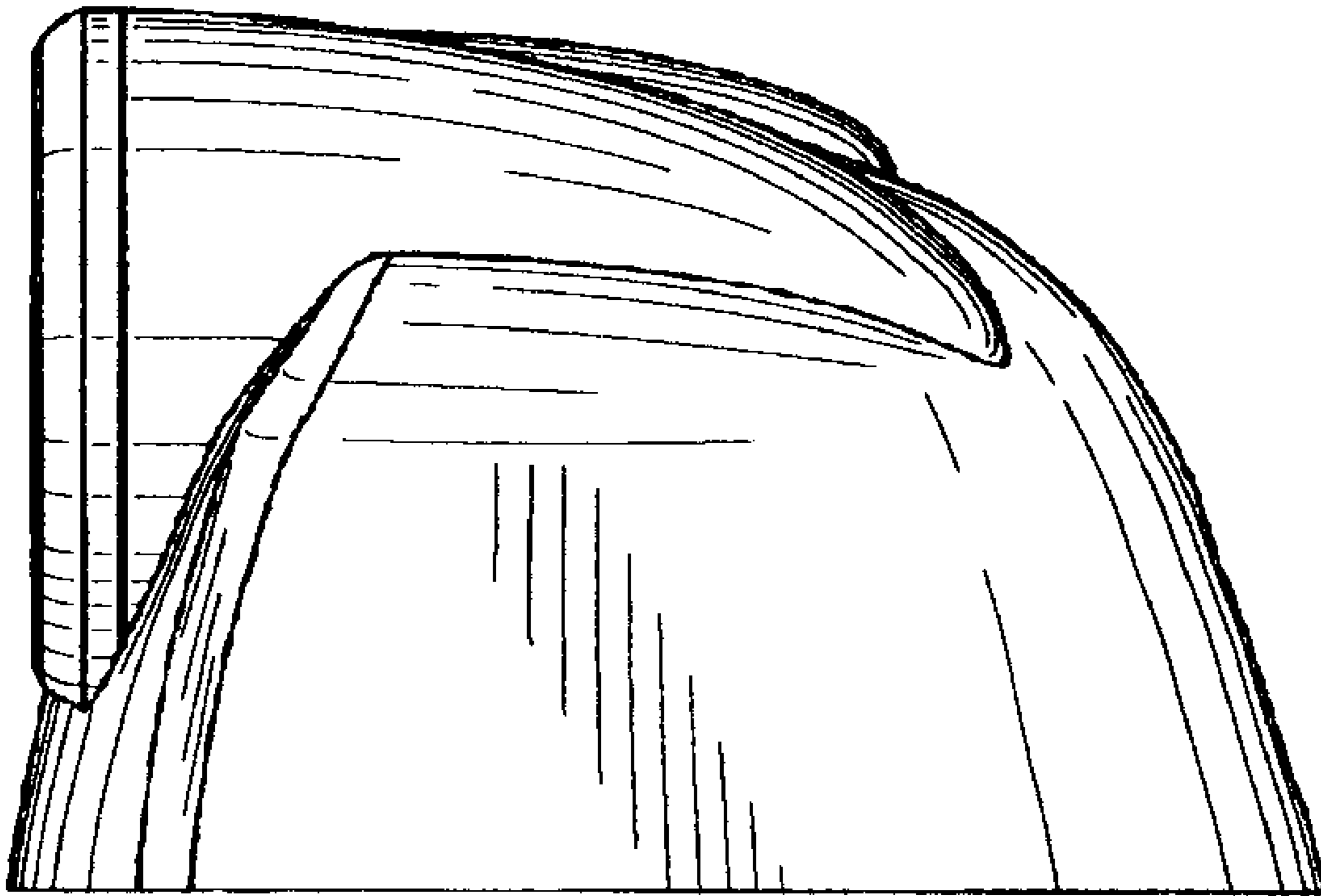


FIG. 3



**FIG. 4**

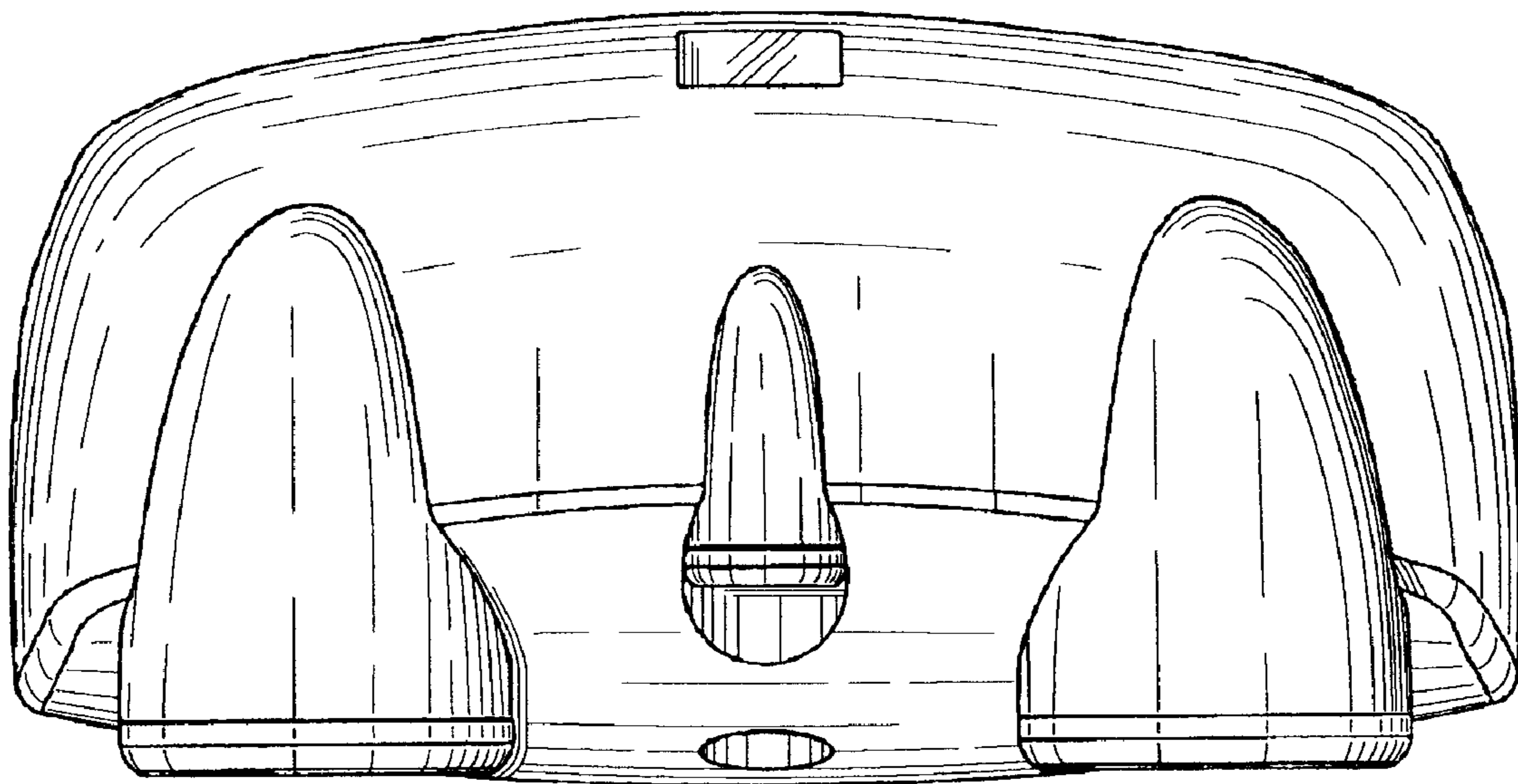


FIG. 5

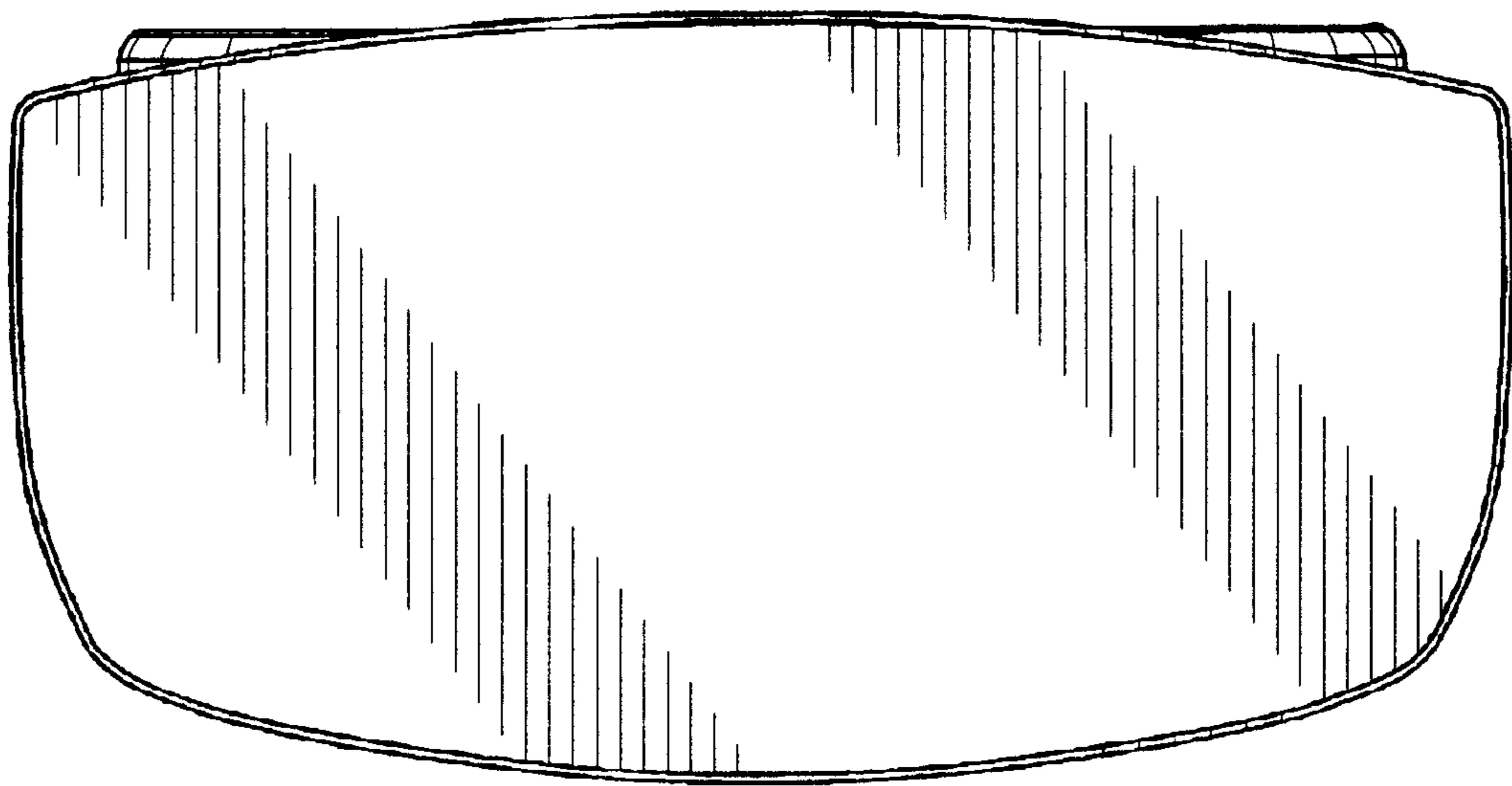


FIG. 6