

US00D521495S

(12) **United States Design Patent**
Sogabe

(10) **Patent No.:** **US D521,495 S**

(45) **Date of Patent:** **** May 23, 2006**

(54) **SPEAKER BOX**

(75) Inventor: **Takashi Sogabe**, Tokyo (JP)

(73) Assignee: **Sony Corporation**, Tokyo (JP)

(**) Term: **14 Years**

(21) Appl. No.: **29/223,463**

(22) Filed: **Feb. 15, 2005**

(51) **LOC (8) Cl.** **14-01**

(52) **U.S. Cl.** **D14/214**

(58) **Field of Classification Search** D14/204,
D14/207, 209–216, 356; 181/143–144, 147–148,
181/150, 157, 198–199, 151, 153; 381/300–302,
381/306, 333, 345, 361–364, 386–388, 332,
381/336

See application file for complete search history.

(56) **References Cited**

U.S. PATENT DOCUMENTS

D369,356 S	*	4/1996	Olson	D14/214
D418,139 S		12/1999	Matsuoka		
D442,942 S		5/2001	Tsuge		
D461,463 S	*	8/2002	Oikawa et al.	D14/211
D462,065 S	*	8/2002	Silverstein et al.	D14/214
D468,290 S	*	1/2003	Narita	D14/214
D471,894 S	*	3/2003	Oikawa	D14/214

OTHER PUBLICATIONS

Web page “Bose®:111AD/111ADW” http://www.bose.co.jp/home_audio/compact_speakers/111ad.html, 1 sheet, BOSE K.K. (Dec. 2004).

Web page “Bose®:3·2·1 (321)” http://www.bose.co.jp/home_audio/ht_systems/321.html, 1 sheet, BOSE K.K. (Dec. 2004).

Web page “Bose®:3·2·1 GS(321GS)” http://www.bose.co.jp/home_audio/ht_systems/321gs.html, 1 sheet, BOSE K.K. (Dec. 2004).

* cited by examiner

Primary Examiner—Nanda Bondade

(74) *Attorney, Agent, or Firm*—Rader, Fishman & Grauer PLLC

(57) **CLAIM**

The ornamental design for a speaker box as shown.

DESCRIPTION

FIG. 1 is a perspective view of a speaker box showing my new design;

FIG. 2 is a front elevational view thereof;

FIG. 3 is a rear elevational view thereof;

FIG. 4 is a left side elevational view thereof;

FIG. 5 is a right side elevational view thereof;

FIG. 6 is a top plan view thereof; and,

FIG. 7 is a bottom plan view thereof.

1 Claim, 4 Drawing Sheets

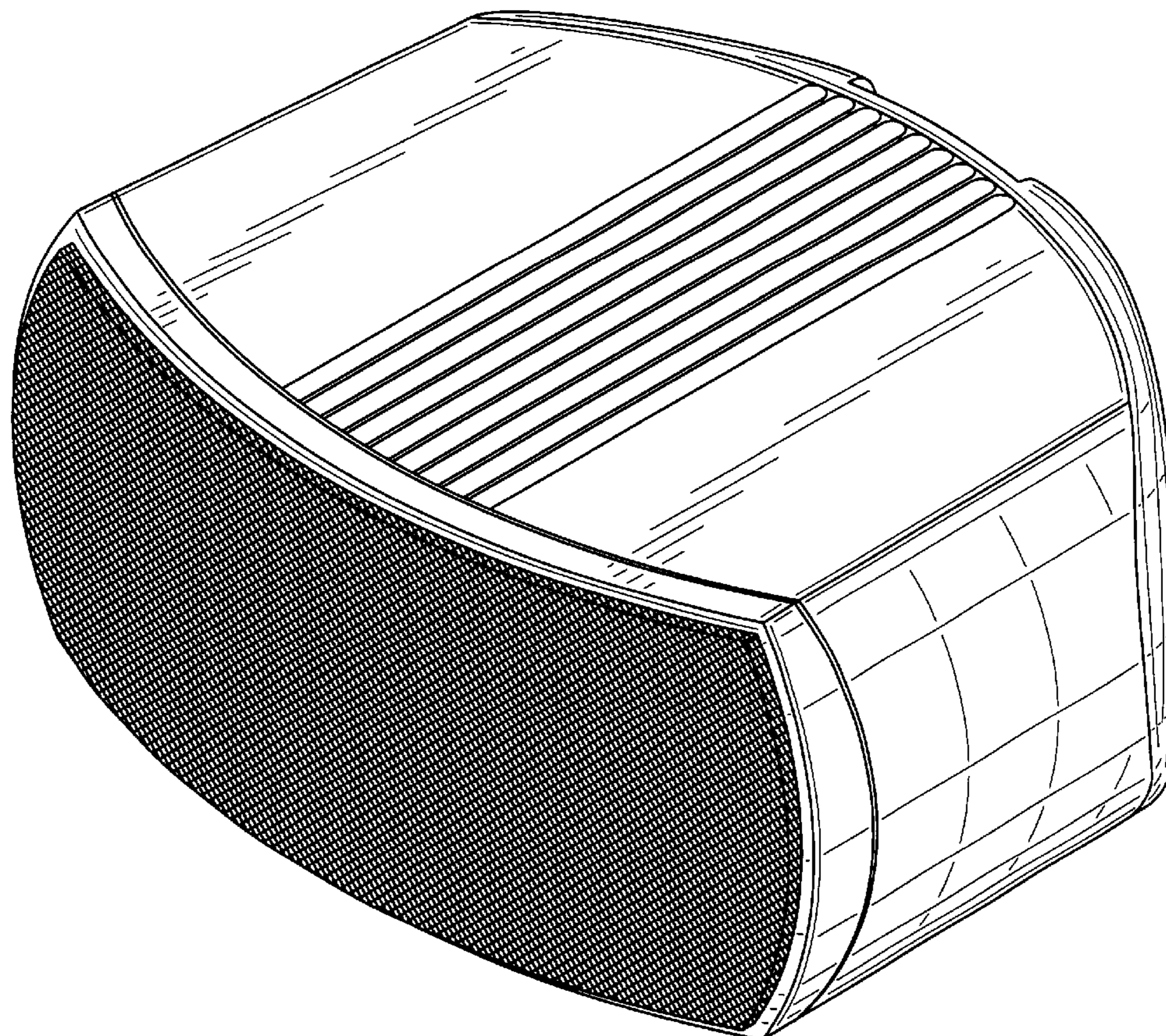


Fig.1

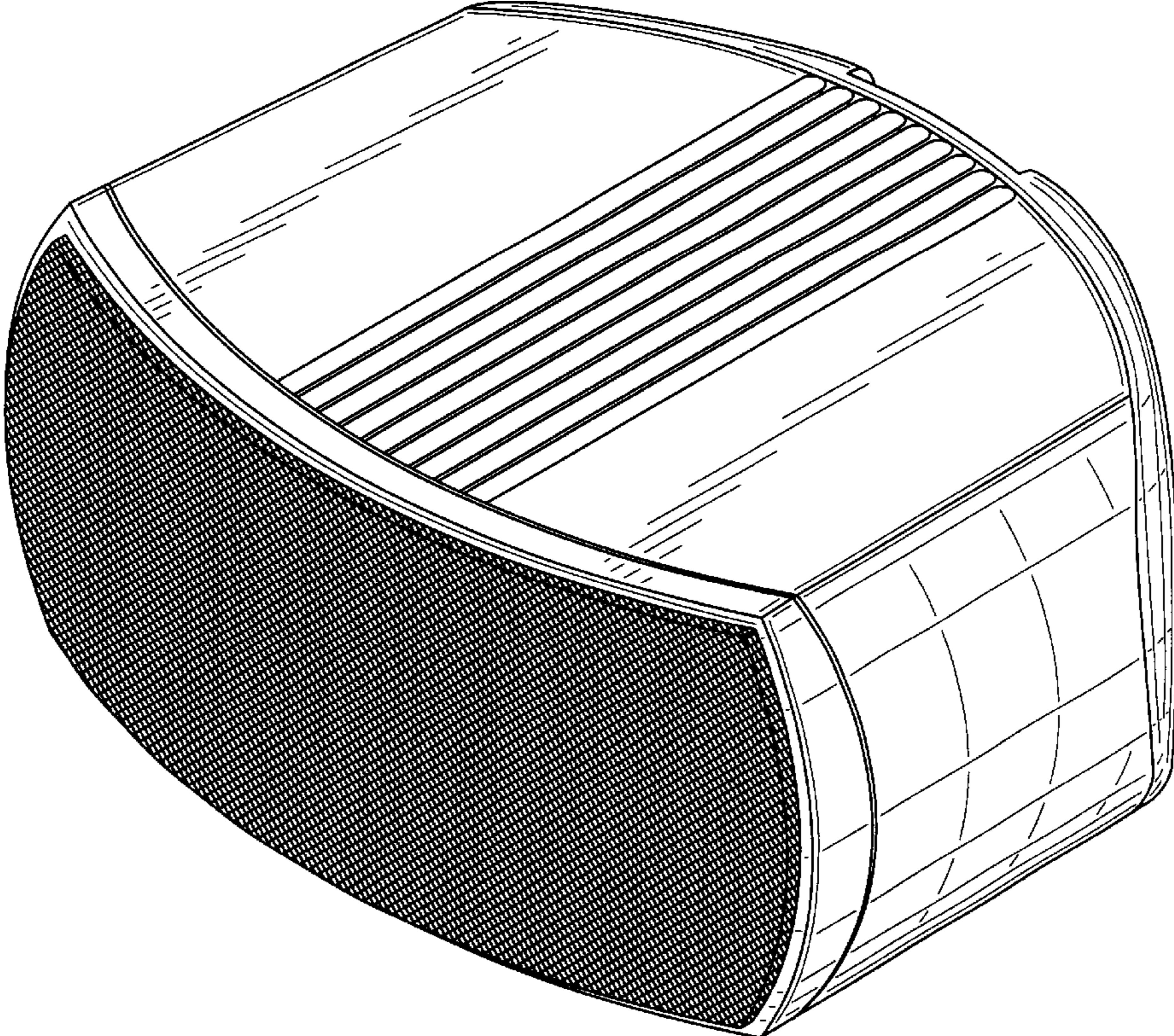


Fig.2

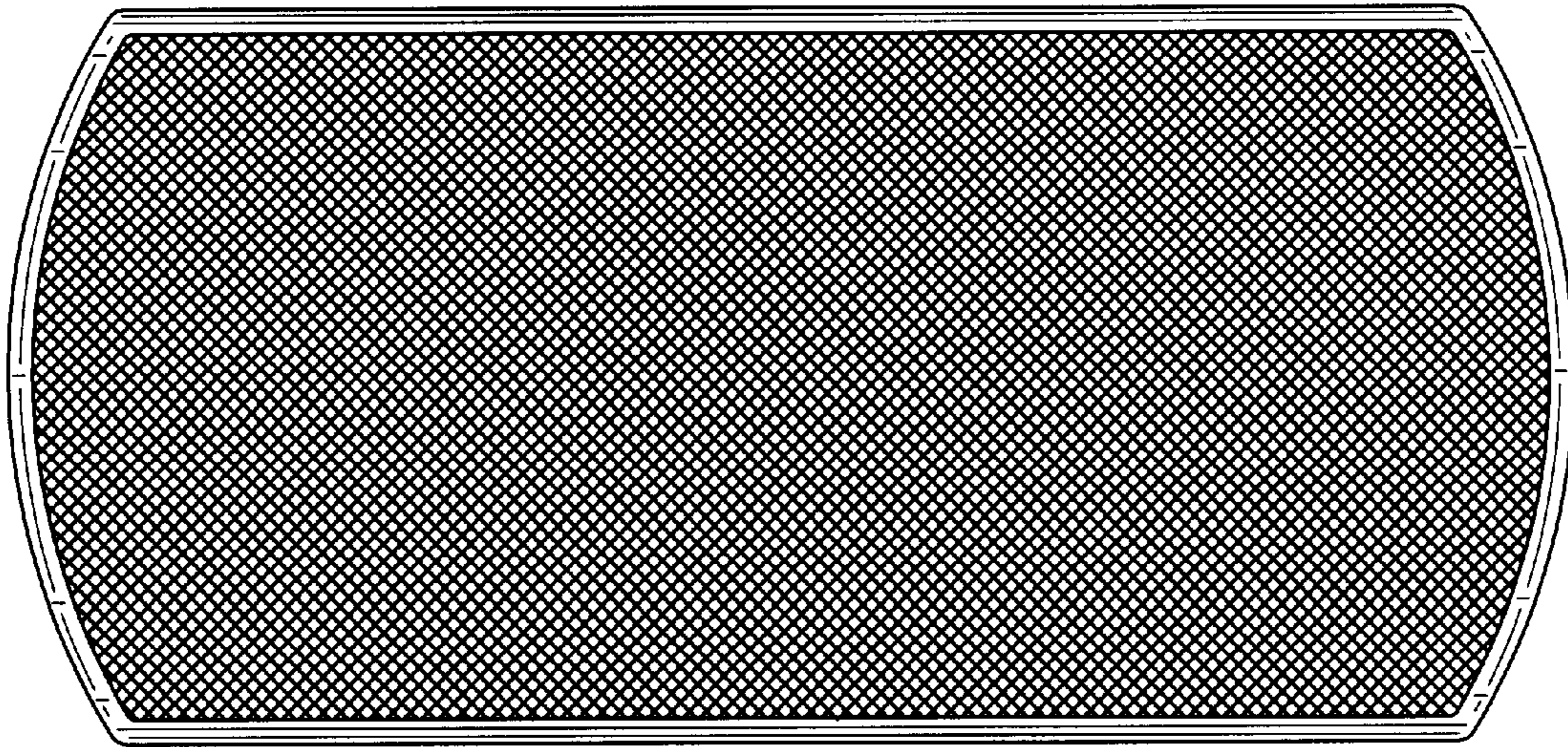


Fig.3

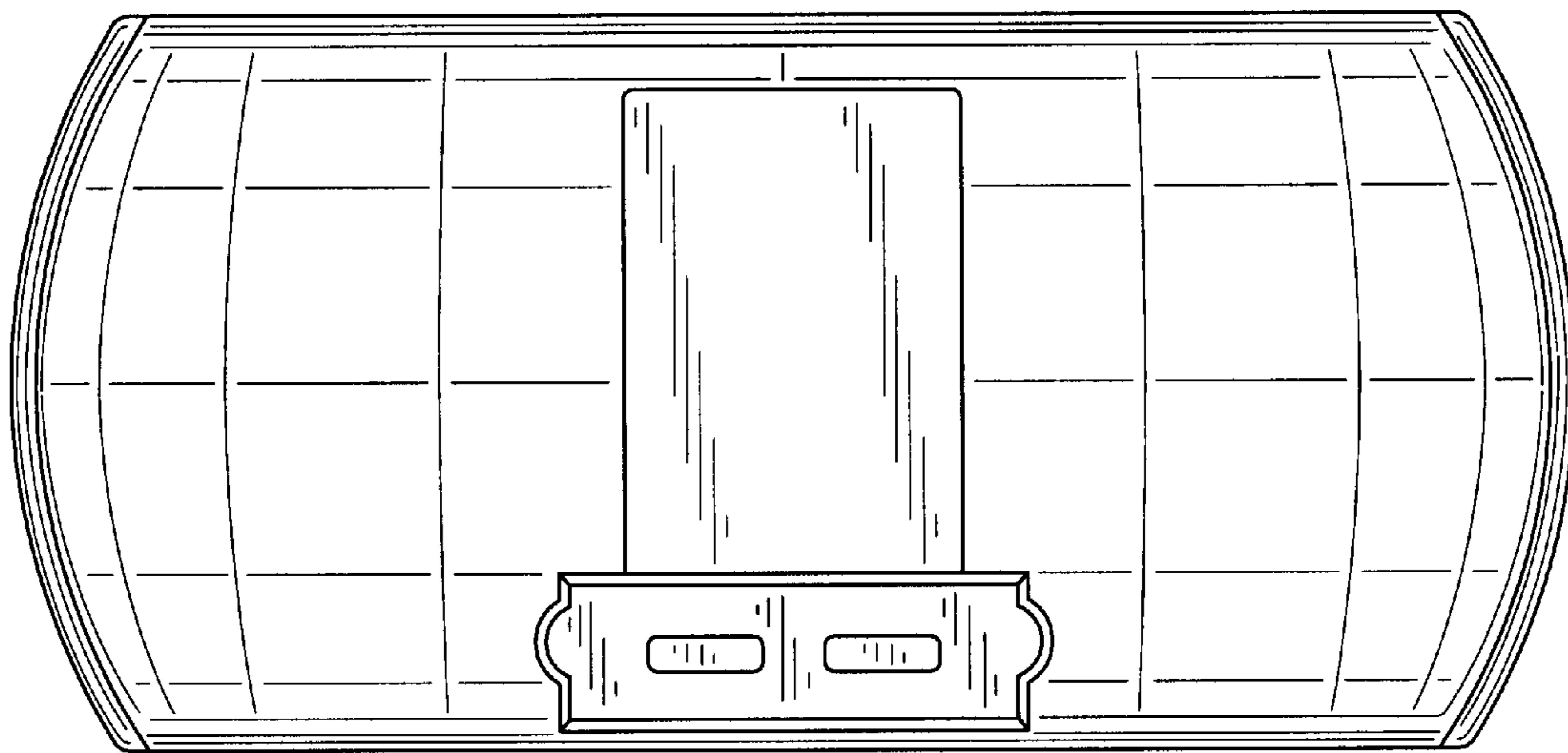


Fig.4

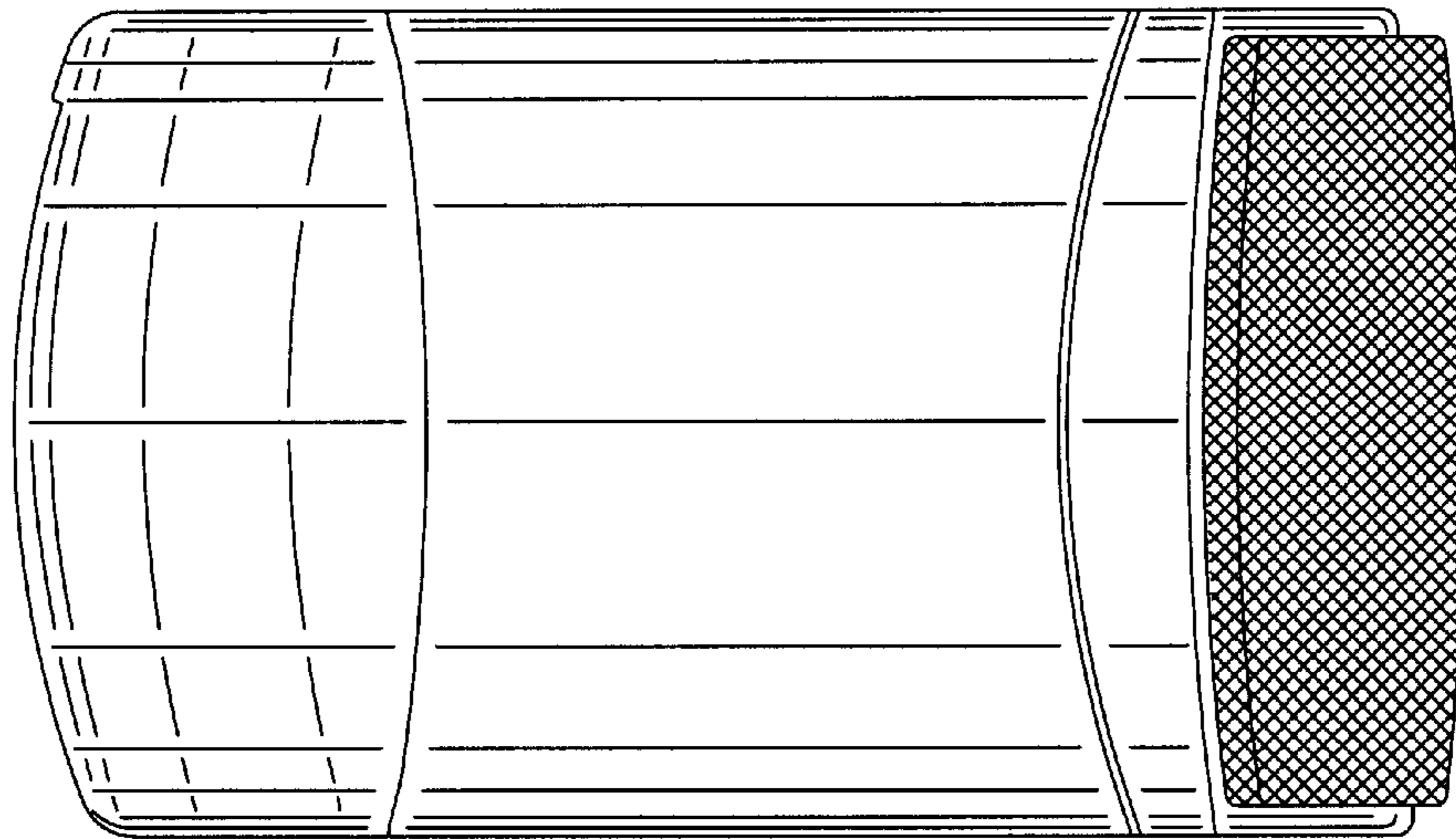


Fig.5

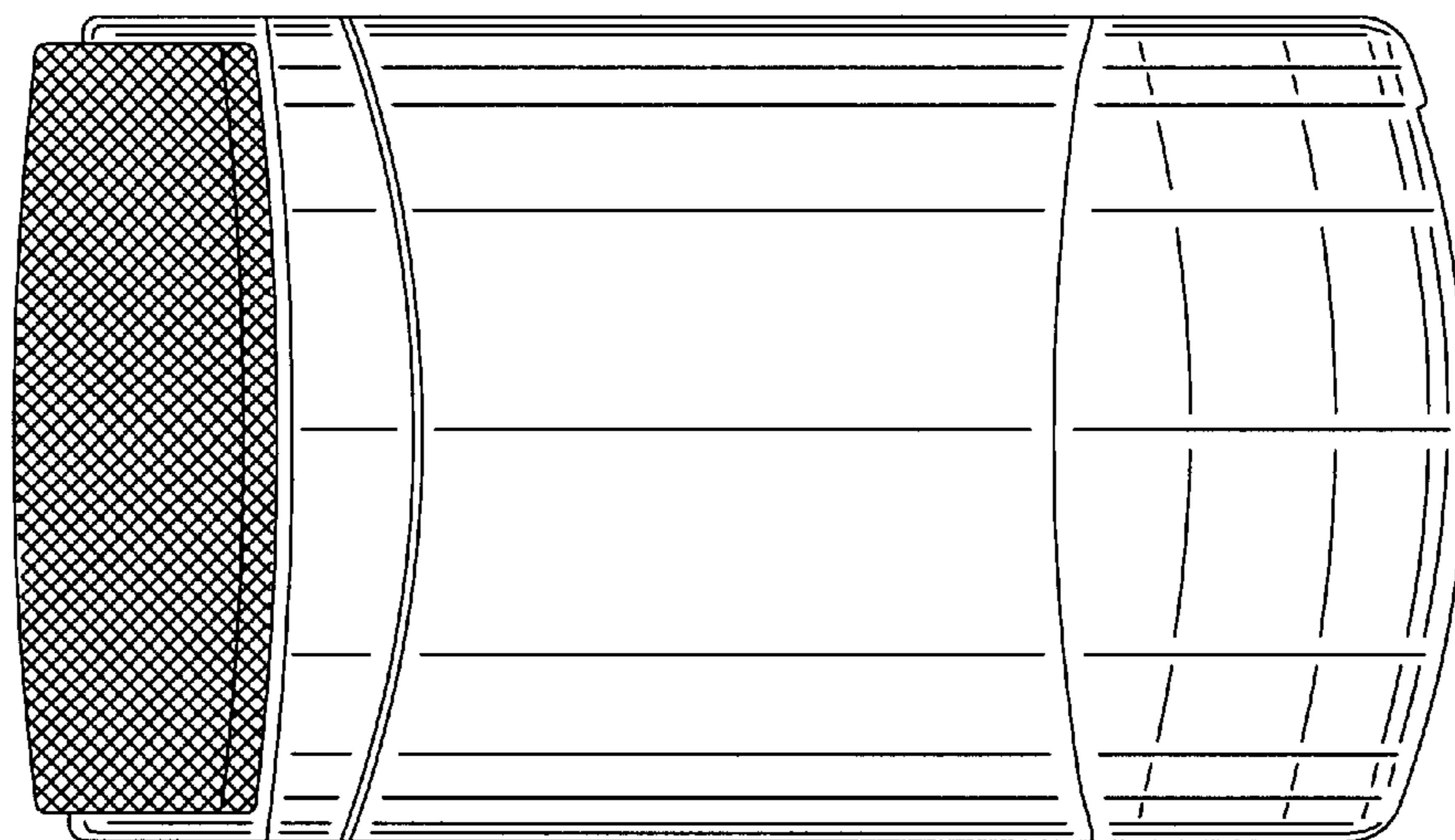


Fig.6

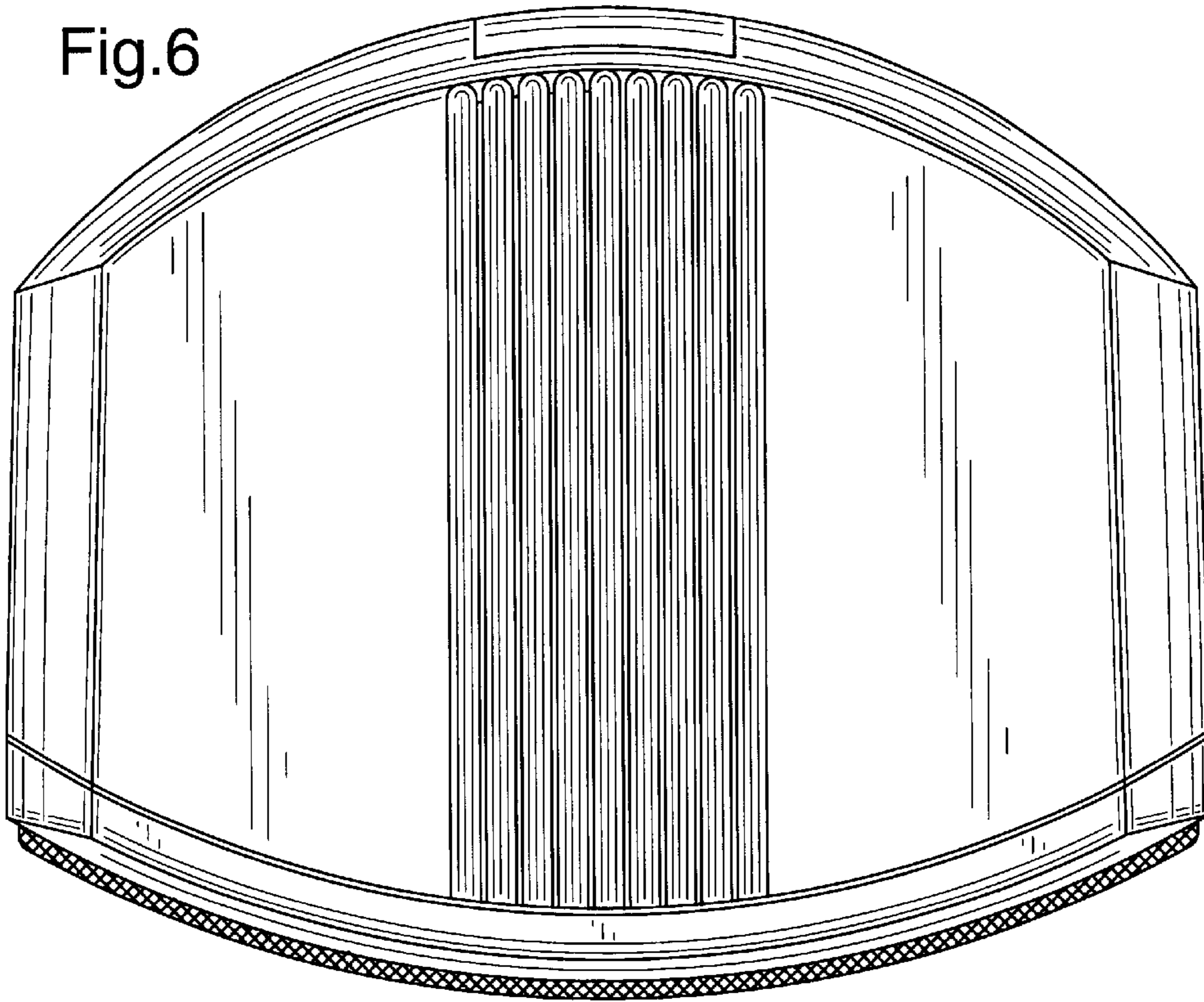


Fig.7

