



US00D521490S

(12) **United States Design Patent**  
**VanWambeke**

(10) **Patent No.:** **US D521,490 S**  
(45) **Date of Patent:** **\*\* May 23, 2006**

(54) **EMERGENCY RADIO**  
(75) Inventor: **Weston J. VanWambeke**, Towson, MD  
(US)  
(73) Assignee: **Black & Decker Inc.**, Newark, DE  
(US)  
(\*\*) Term: **14 Years**  
(21) Appl. No.: **29/230,279**  
(22) Filed: **May 19, 2005**

5,781,853 A \* 7/1998 Johnson ..... 455/351  
5,895,016 A \* 4/1999 Blackburn ..... 248/27.1  
RE36,696 E 5/2000 Blackman  
6,238,061 B1 5/2001 McKenzie et al.  
D451,084 S \* 11/2001 Su ..... D14/188  
6,316,911 B1 11/2001 Moskowitz et al.  
6,536,917 B1 3/2003 Aperochio et al.  
D479,223 S \* 9/2003 Furusho et al. .... D14/196  
6,634,768 B1 10/2003 McKenzie et al.  
D486,816 S \* 2/2004 Nakajima et al. .... D14/169  
D495,012 S \* 8/2004 Morimoto ..... D14/188  
D500,487 S \* 1/2005 Concari et al. .... D14/188

\* cited by examiner

(51) **LOC (8) Cl.** ..... **14-03**  
(52) **U.S. Cl.** ..... **D14/188**  
(58) **Field of Classification Search** ..... D14/188,  
D14/204, 192-198, 216, 265, 137, 496; 455/347-351,  
455/403, 3.06, 130; 369/1, 6-12  
See application file for complete search history.

*Primary Examiner*—Prabhakar Deshmukh  
(74) *Attorney, Agent, or Firm*—Harness, Dickey & Pierce,  
P.L.C.

(57) **CLAIM**

The ornamental design for an emergency radio, as shown  
and described.

(56) **References Cited**

U.S. PATENT DOCUMENTS

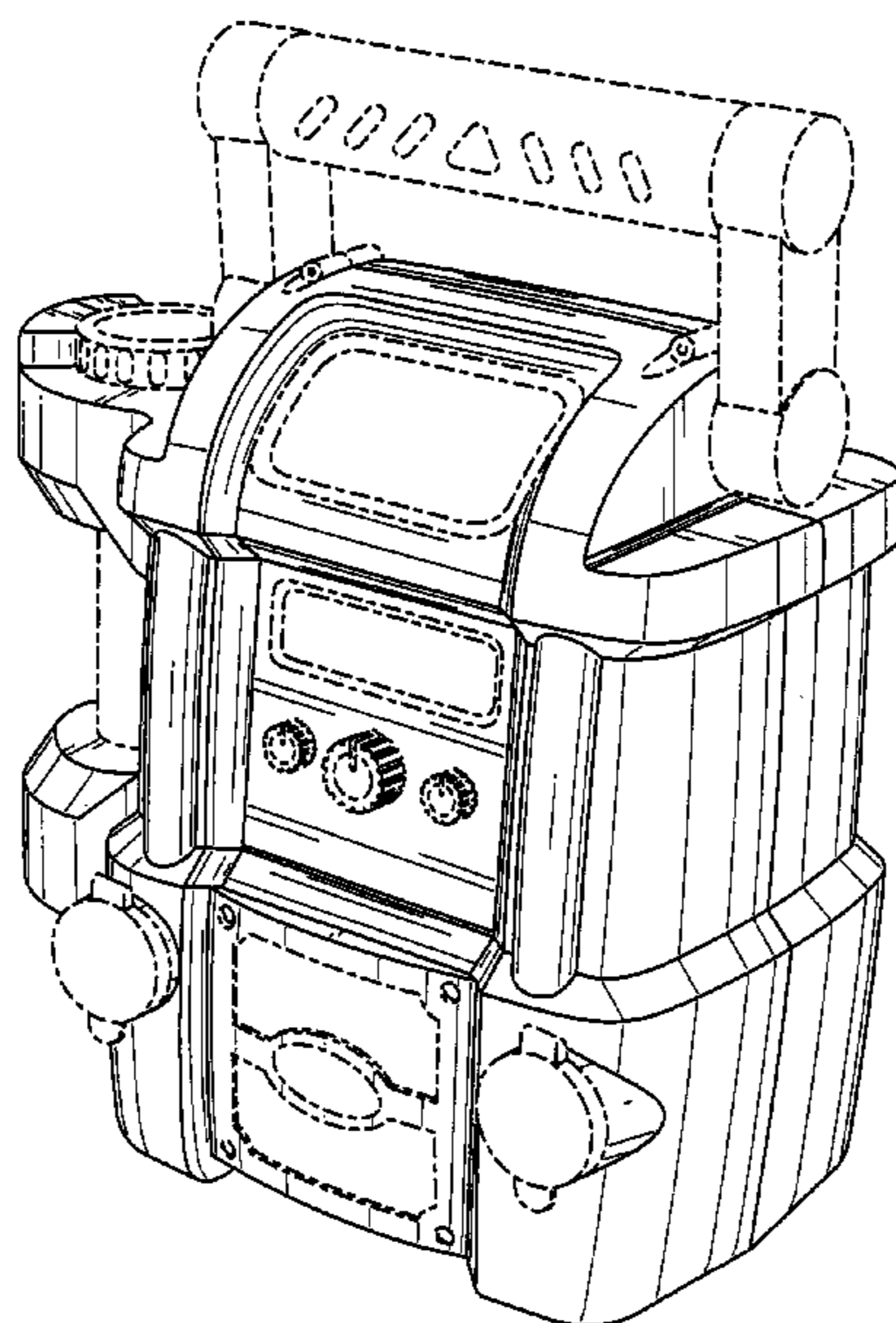
2,411,528 A \* 11/1946 Dodington ..... 174/52.1  
2,560,320 A \* 7/1951 Winkler ..... 455/575.1  
3,591,796 A 7/1971 Barker  
3,824,472 A 7/1974 Engel et al.  
D239,134 S \* 3/1976 Kawamara et al. .... D14/195  
4,045,663 A 8/1977 Young  
4,617,561 A 10/1986 Brown  
4,631,649 A 12/1986 McCue et al.  
4,676,619 A 6/1987 Woolley  
D293,481 S 12/1987 Ohashi  
4,949,077 A 8/1990 Mbuthia  
5,055,986 A 10/1991 Johnson  
5,146,618 A \* 9/1992 Wenner ..... 455/345  
D350,753 S \* 9/1994 Oka ..... D14/168  
D354,054 S 1/1995 Shitama  
D373,208 S 8/1996 Yuen  
D376,663 S 12/1996 Yuen  
D387,348 S 12/1997 Lam et al.

**DESCRIPTION**

FIG. 1 is a perspective view of an emergency radio in  
accordance with the present invention;  
FIG. 2 is a front elevation view of the motion sensor of FIG.  
1;  
FIG. 3 is a rear elevation view of the motion sensor of FIG.  
1;  
FIG. 4 is a left side elevation view of the motion sensor of  
FIG. 1;  
FIG. 5 is a right side elevation view of the motion sensor of  
FIG. 1;  
FIG. 6 is a top plan view of the motion sensor of FIG. 1; and,  
FIG. 7 is a bottom plan view of the motion sensor of FIG.  
1.

The broken lines, which define the boundary of the claimed  
design, form no part thereof.

**1 Claim, 6 Drawing Sheets**



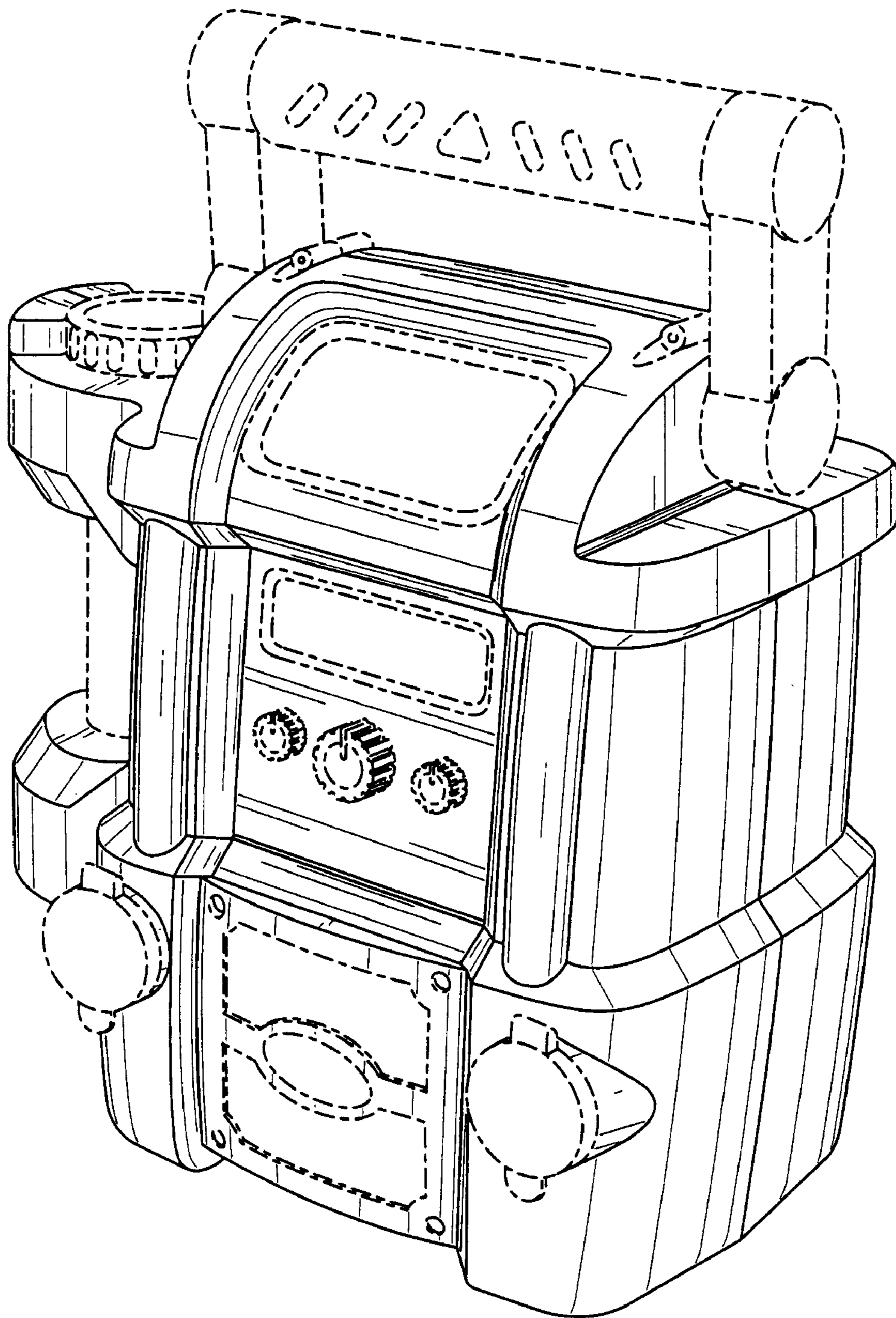


FIG. 1

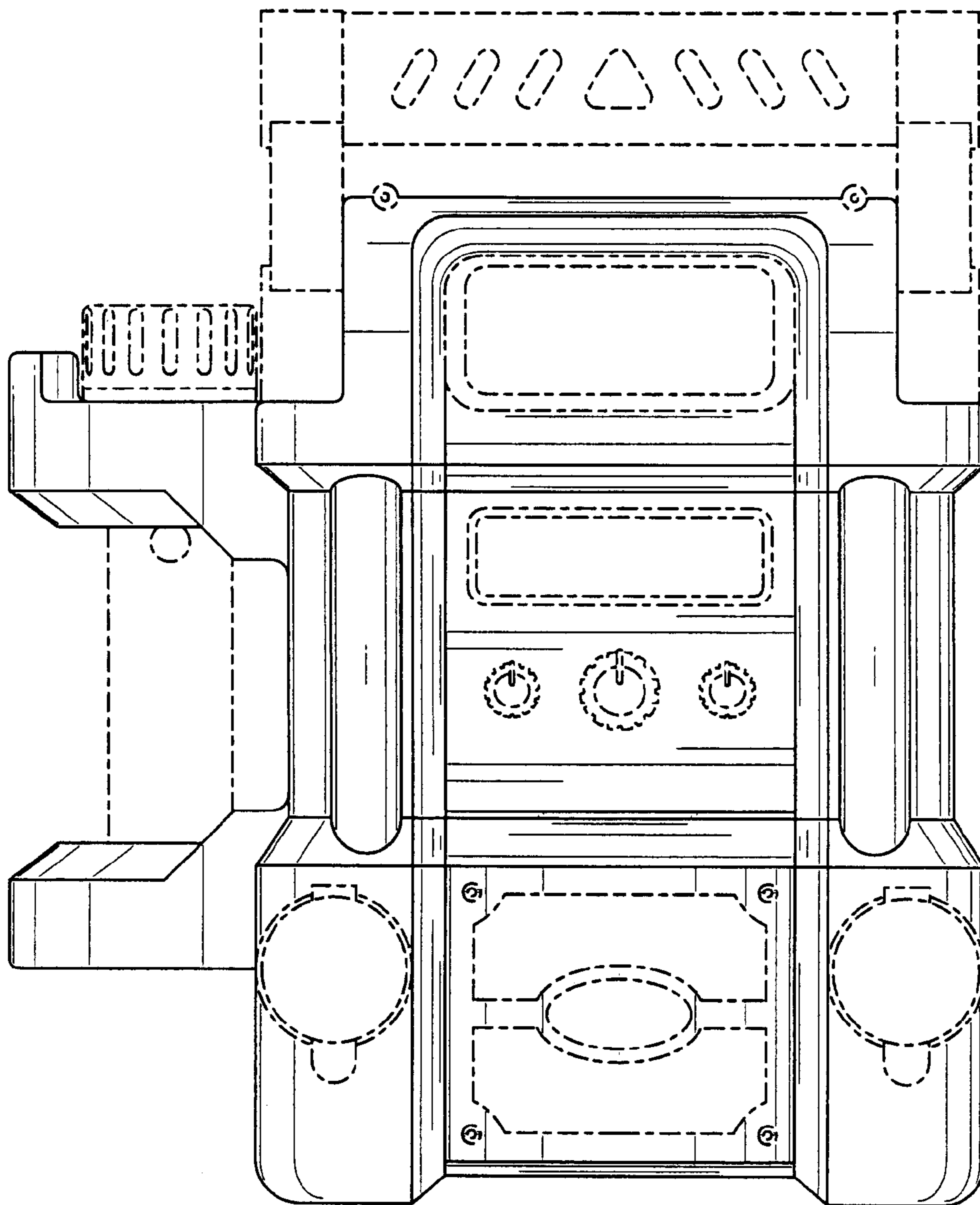


FIG. 2

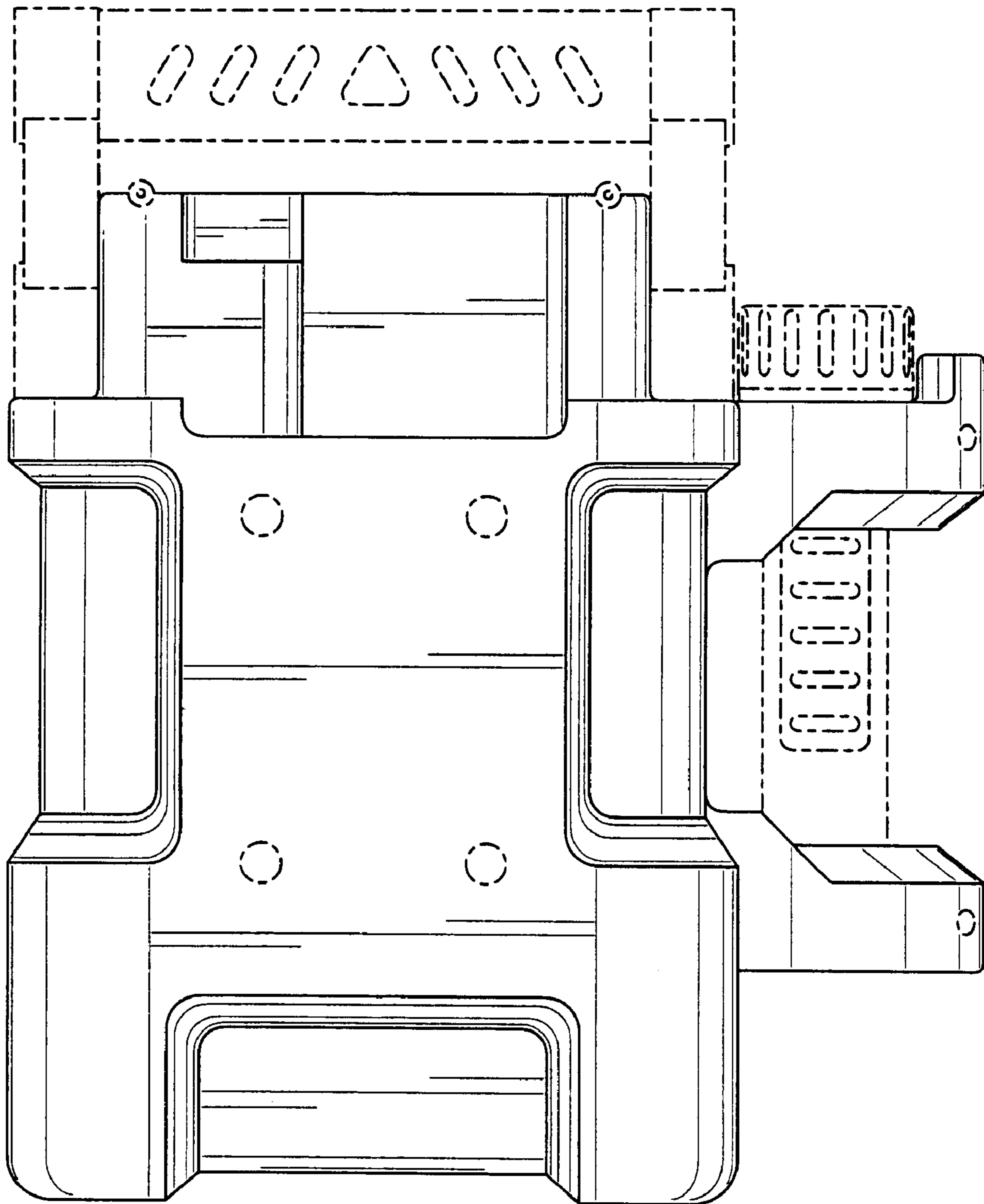


FIG. 3



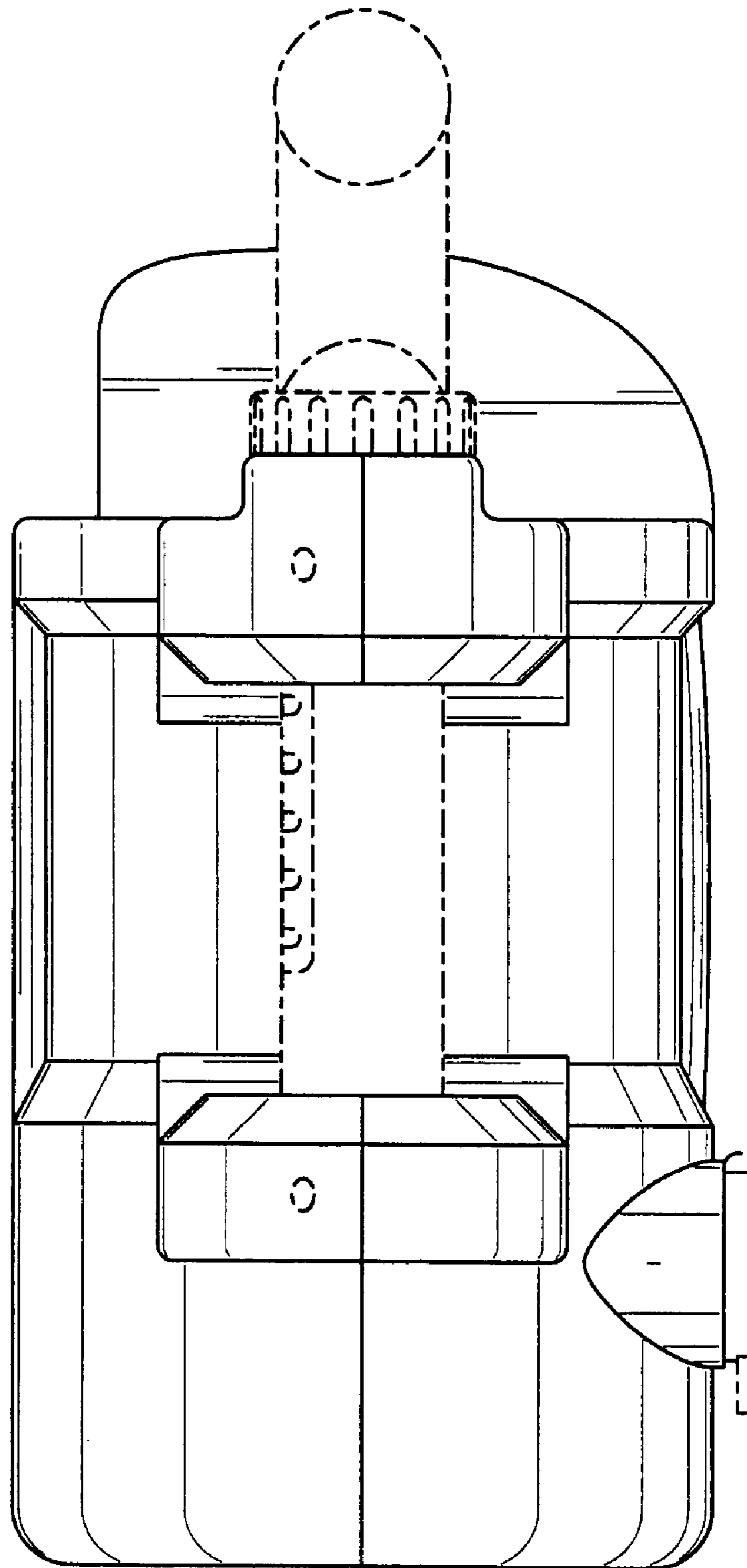


FIG. 4

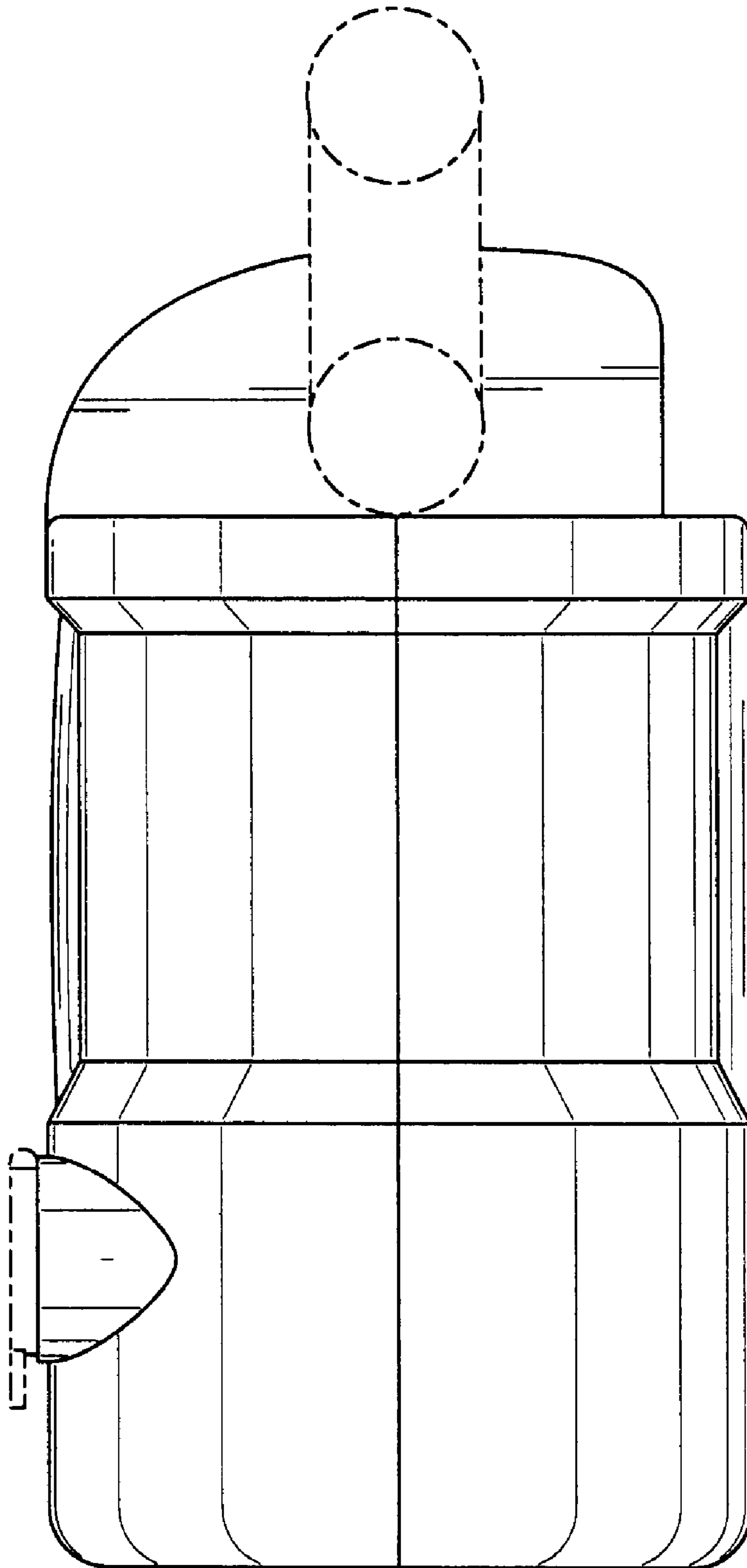


FIG. 5

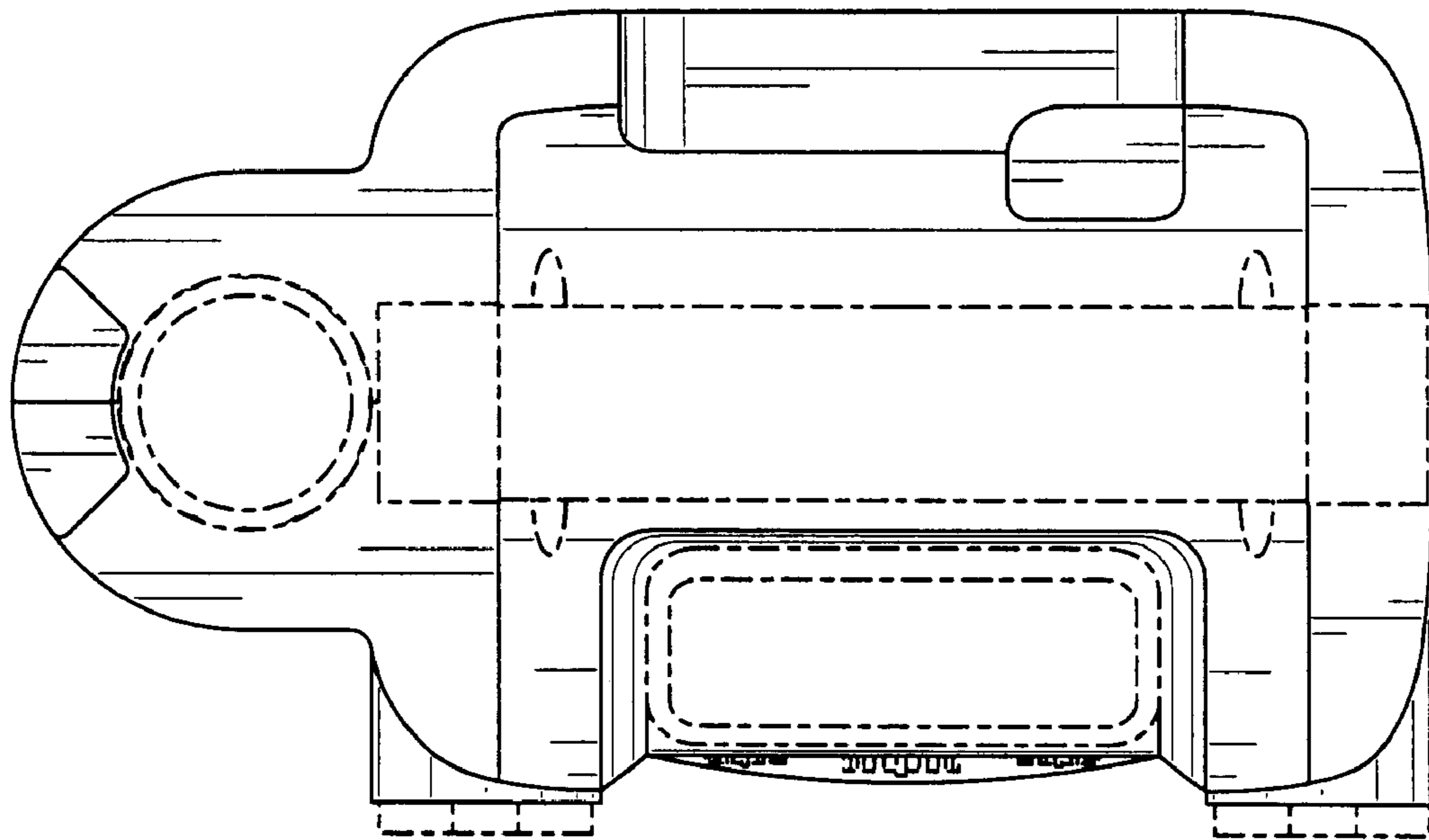


FIG. 6

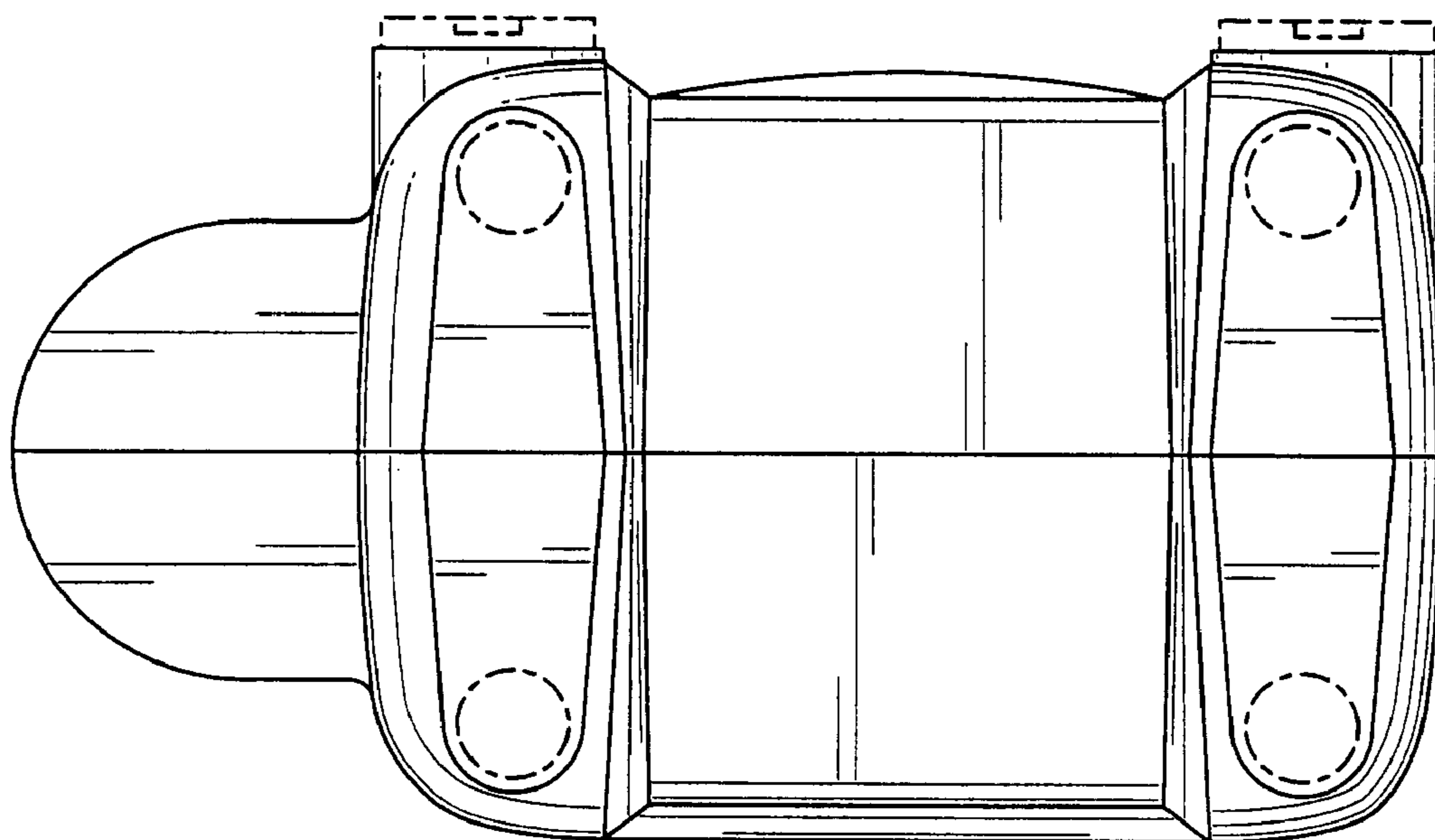


FIG. 7