



US00D521488S

(12) **United States Design Patent**
Shimizu

(10) **Patent No.:** **US D521,488 S**

(45) **Date of Patent:** **** May 23, 2006**

(54) **DIGITAL VIDEO DISC PLAYER FOR AN AUTOMOBILE**

(75) Inventor: **Keitaro Shimizu**, Yokohama (JP)

(73) Assignee: **Matsushita Electric Industrial Co., Ltd.**, Osaka (JP)

(**) Term: **14 Years**

(21) Appl. No.: **29/216,936**

(22) Filed: **Nov. 10, 2004**

(30) **Foreign Application Priority Data**

Sep. 27, 2004 (JP) 2004-029128

(51) **LOC (8) Cl.** **14-01**

(52) **U.S. Cl.** **D14/157**

(58) **Field of Classification Search** D14/135-136, D14/156-157, 160-165, 167-168, 192-198, D14/188, 217, 257, 258, 445; 360/99.02, 360/99.07; 369/75.11, 75.21, 77.21, 77.11; 720/612, 619, 647, 655; 455/344, 347-351
See application file for complete search history.

(56) **References Cited**

U.S. PATENT DOCUMENTS

- D333,307 S 2/1993 Sliper et al.
- D352,284 S 11/1994 Kakizaki
- D356,566 S 3/1995 Ohta
- D393,265 S * 4/1998 Tokiyama et al. D14/258
- D400,529 S 11/1998 Kakizaki
- D409,607 S * 5/1999 Shiono D14/156
- D416,553 S 11/1999 Nishiwaki et al.
- D429,705 S 8/2000 Ito et al.
- D438,520 S 3/2001 Nose et al.
- D440,547 S 4/2001 Hori et al.

- D446,781 S 8/2001 Hori et al.
- D448,014 S 9/2001 Hori et al.
- D450,678 S 11/2001 Mizokawa et al.
- D452,859 S 1/2002 Le Thellec
- D477,298 S 7/2003 Hori et al.
- D487,448 S * 3/2004 Sadatsuki D14/157
- D495,677 S 9/2004 Kawano et al.

FOREIGN PATENT DOCUMENTS

- JP D1068940 5/2000
- JP D1120265 9/2001
- JP D1159717 3/2002
- JP D1161517 12/2002
- JP D1170130 4/2003
- JP D1178408 7/2003

* cited by examiner

Primary Examiner—Nanda Bondade
(74) *Attorney, Agent, or Firm*—Brinks Hofer Gilson & Lione

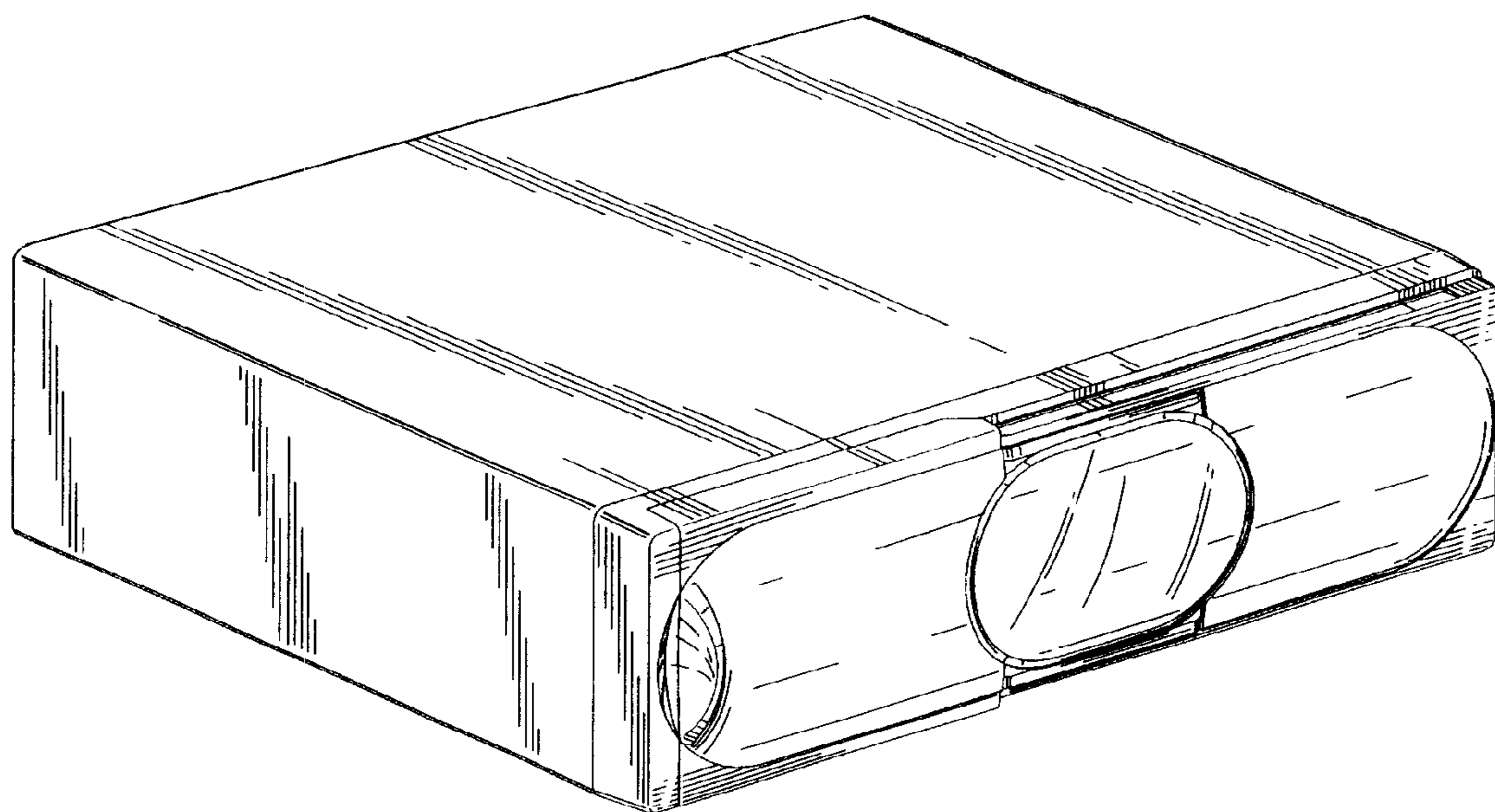
(57) **CLAIM**

I claim the ornamental design for a digital video disc player for an automobile, as shown and described.

DESCRIPTION

FIG. 1 is a top perspective view of a digital video disc player for an automobile of the present invention;
FIG. 2 is a front view thereof;
FIG. 3 is a top view thereof;
FIG. 4 is a first side view thereof;
FIG. 5 is a second side view thereof; and,
FIG. 6 is a bottom view thereof.
The rear view has been omitted and forms no part of the claimed design.

1 Claim, 4 Drawing Sheets



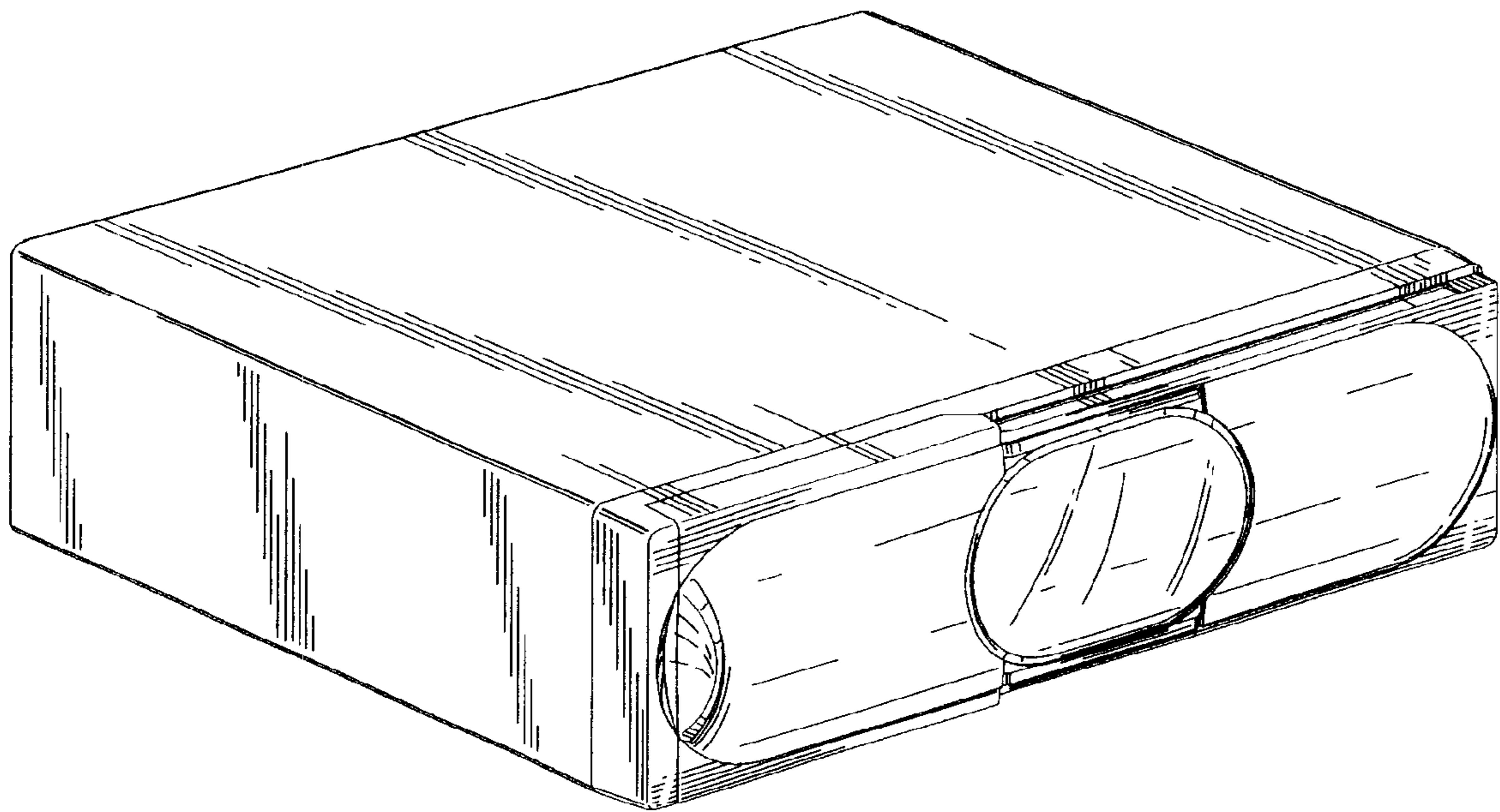


FIG. 1

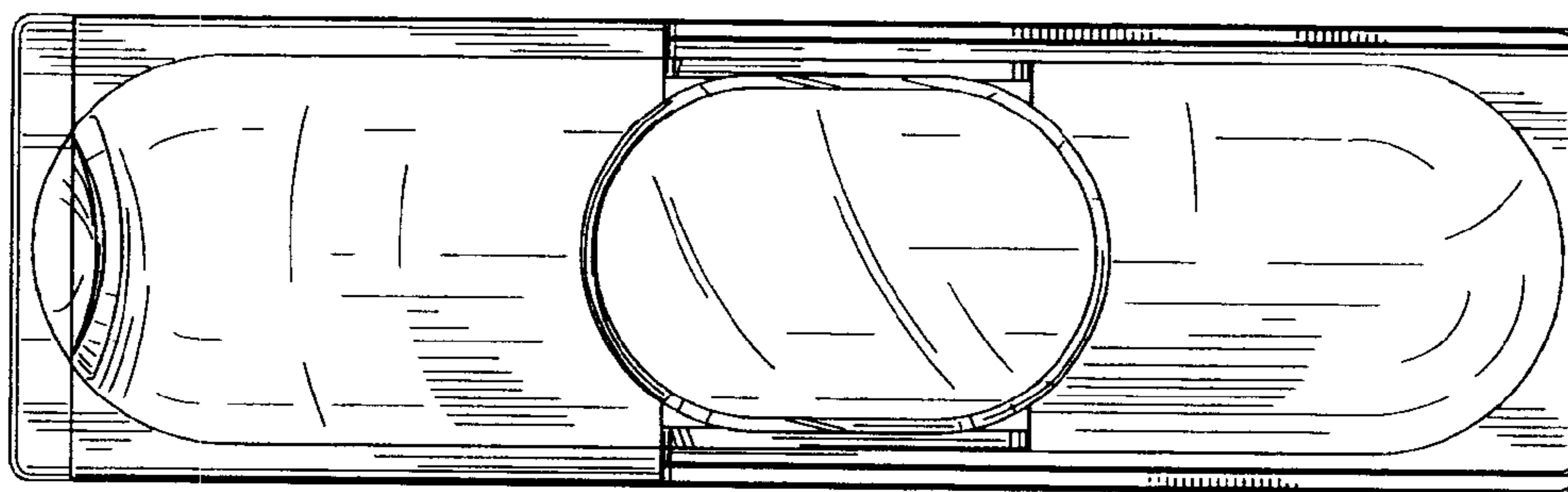


FIG. 2

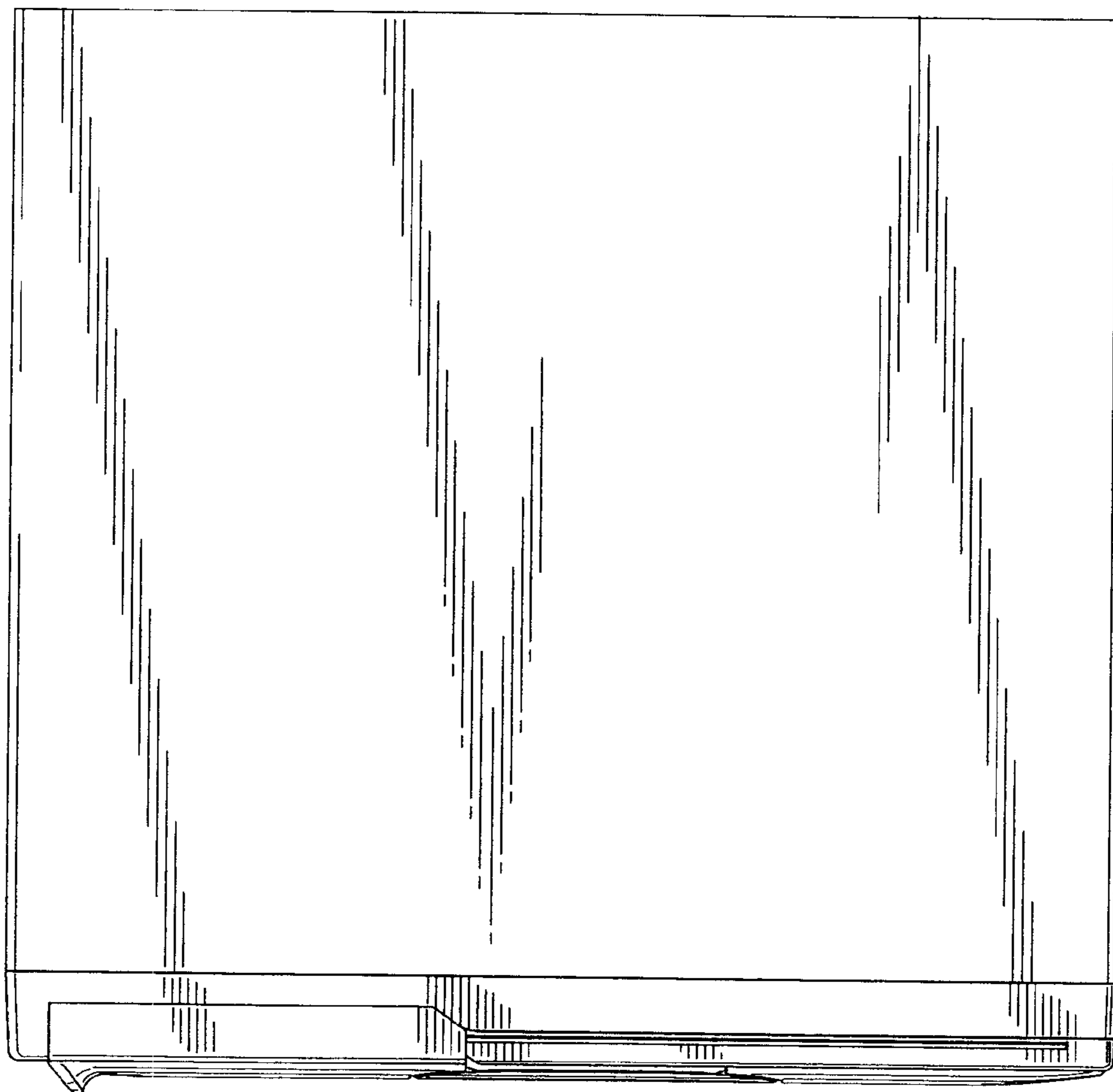


FIG. 3

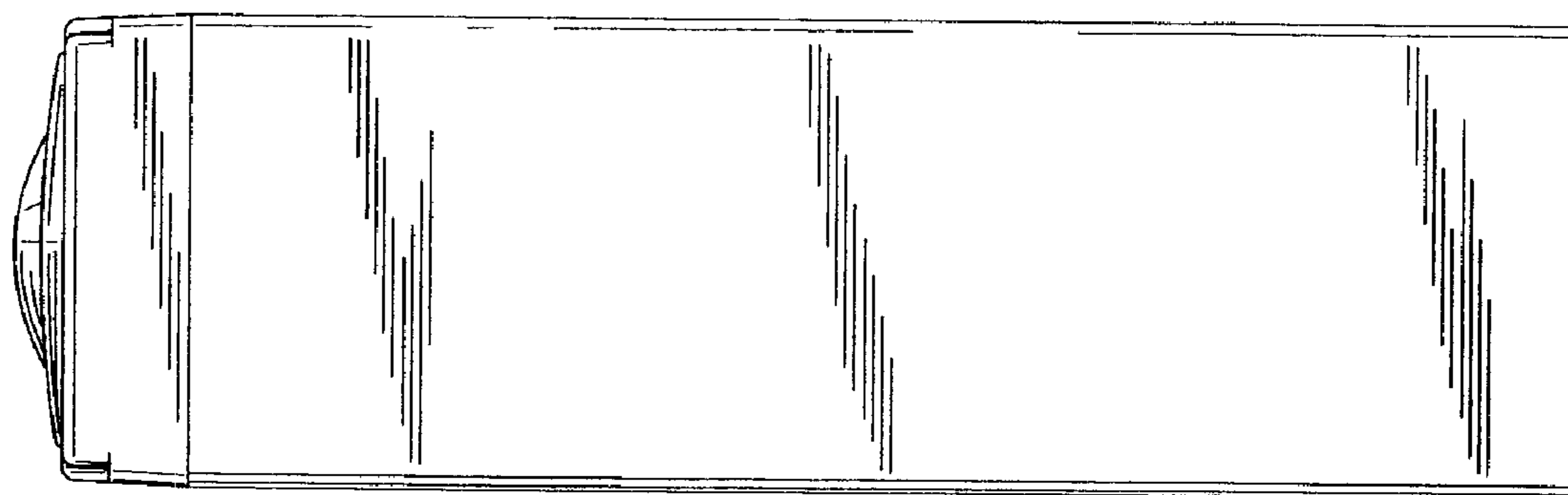


FIG. 4

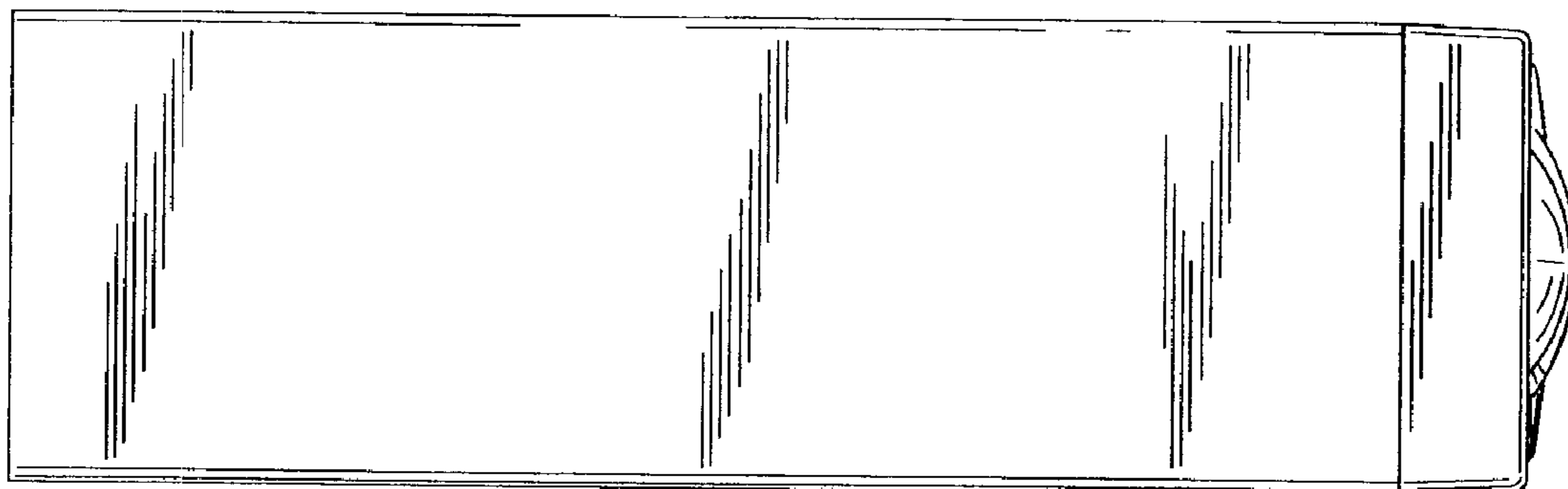


FIG. 5

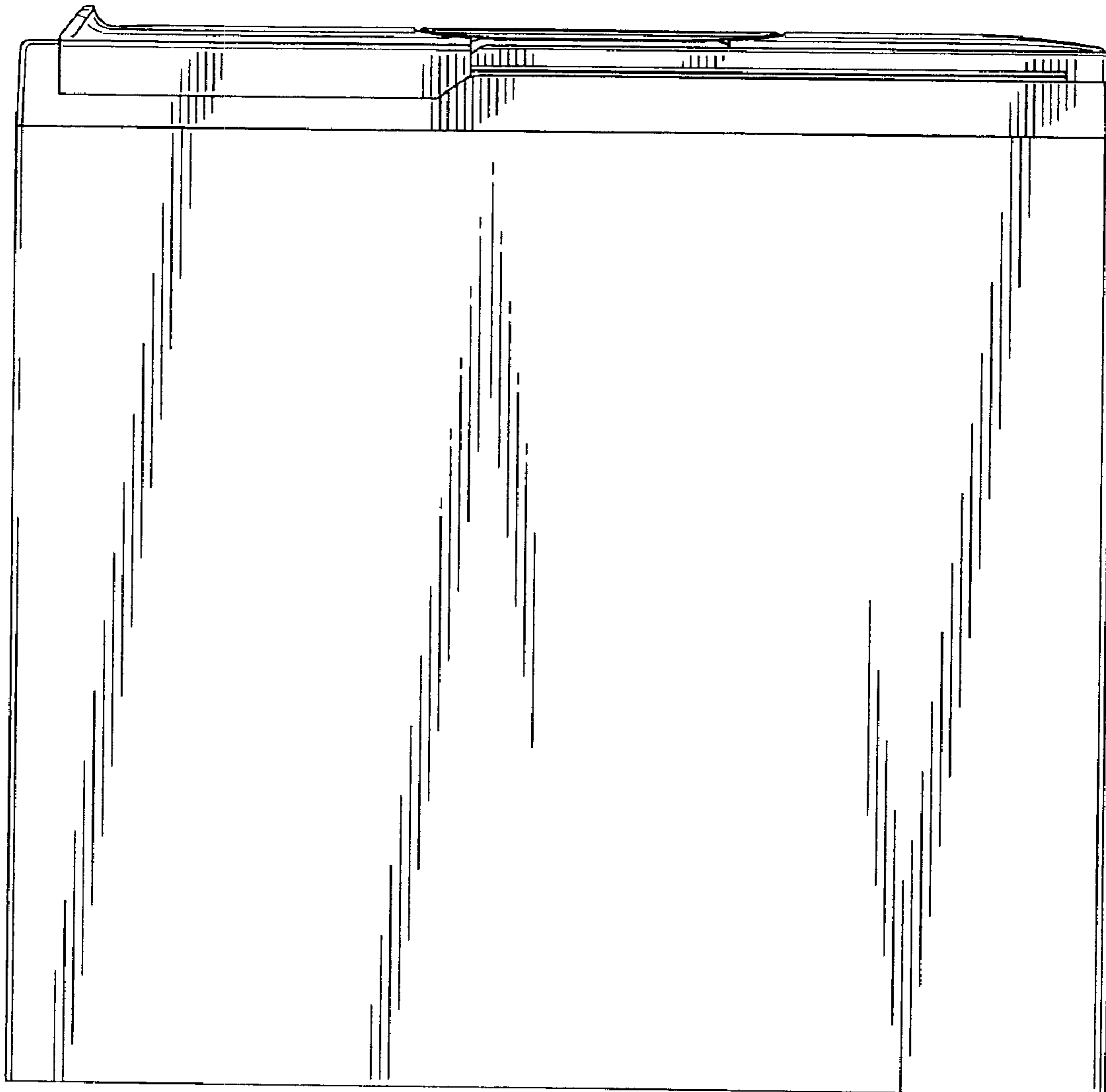


FIG. 6