



US00D521486S

(12) **United States Design Patent**  
**Yokoyama**

(10) **Patent No.:** **US D521,486 S**

(45) **Date of Patent:** **\*\* May 23, 2006**

(54) **TRANSMITTER FOR AUDIO PLAYER**

(75) Inventor: **Hiroaki Yokoyama**, Tokyo (JP)

(73) Assignee: **Sony Corporation**, Tokyo (JP)

(\*\*) Term: **14 Years**

(21) Appl. No.: **29/218,390**

(22) Filed: **Dec. 2, 2004**

(51) **LOC (8) Cl.** ..... **14-03**

(52) **U.S. Cl.** ..... **D14/155; D13/144**

(58) **Field of Classification Search** ..... D13/107,  
D13/133, 144, 184, 168; D14/155, 188, 299,  
D14/358; D10/121; 439/300, 620, 638, 668-669,  
439/675, 825, 851; 320/110-112, 114; 363/146  
See application file for complete search history.

(56) **References Cited**

**U.S. PATENT DOCUMENTS**

D291,888 S	*	9/1987	Fong et al.	.....	D14/155
D349,275 S	*	8/1994	Hollander	.....	D13/133
D362,657 S	*	9/1995	Tomikawa et al.	.....	D13/144
D362,840 S	*	10/1995	Larson	.....	D13/144
6,116,960 A	*	9/2000	Lloyd et al.	.....	439/668
D504,407 S	*	4/2005	Cohen et al.	.....	D14/155

D504,408 S	*	4/2005	Bey et al.	.....	D14/155
D505,935 S	*	6/2005	Bey et al.	.....	D14/155

\* cited by examiner

*Primary Examiner*—Alan P. Douglas

*Assistant Examiner*—Rosemary K. Tarcza

(74) *Attorney, Agent, or Firm*—Rader, Fishman & Grauer PLLC

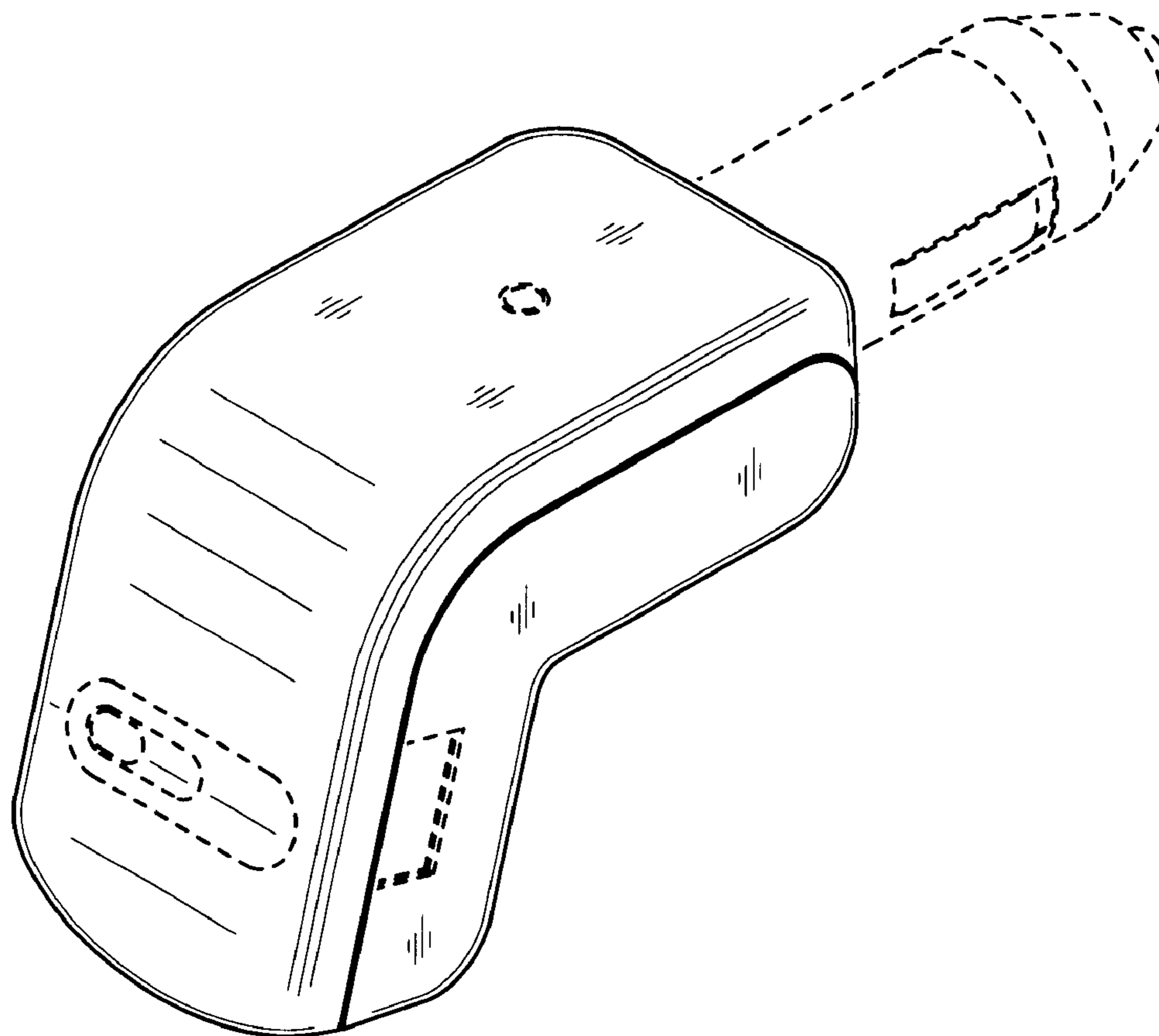
(57) **CLAIM**

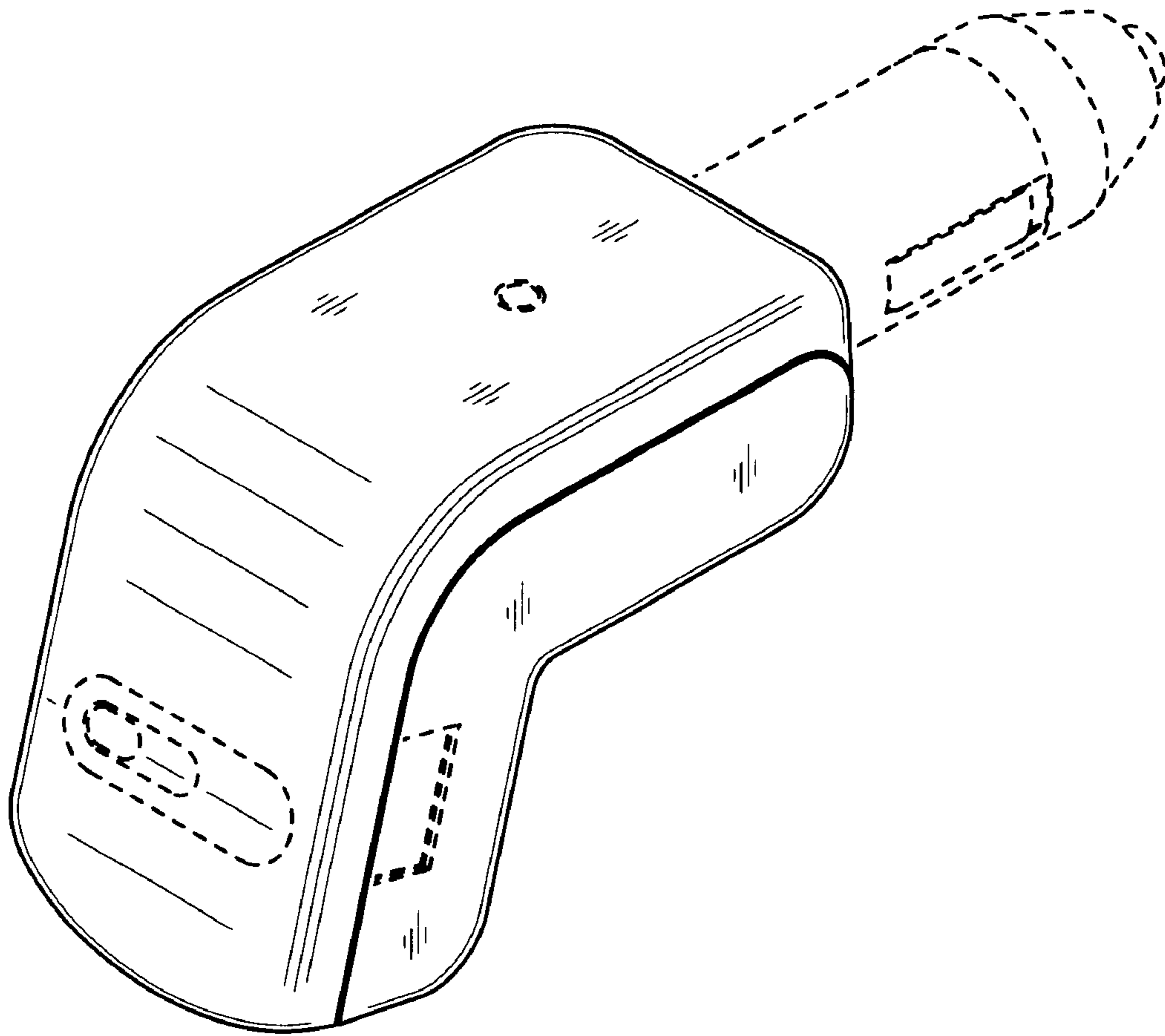
The ornamental design for a transmitter for audio player, as shown and described.

**DESCRIPTION**

FIG. 1 is a perspective view of a transmitter for audio player showing my new design;  
FIG. 2 is a front elevational view thereof;  
FIG. 3 is a rear elevational view thereof;  
FIG. 4 is a left side elevational view thereof;  
FIG. 5 is a right side elevational view thereof;  
FIG. 6 is a top plan view thereof; and,  
FIG. 7 is a bottom plan view thereof.  
Portions of FIGS. 1-7 that are shown as broken lines are for illustrative purpose only and form no part of the claimed design.

**1 Claim, 4 Drawing Sheets**





*FIG. 1*

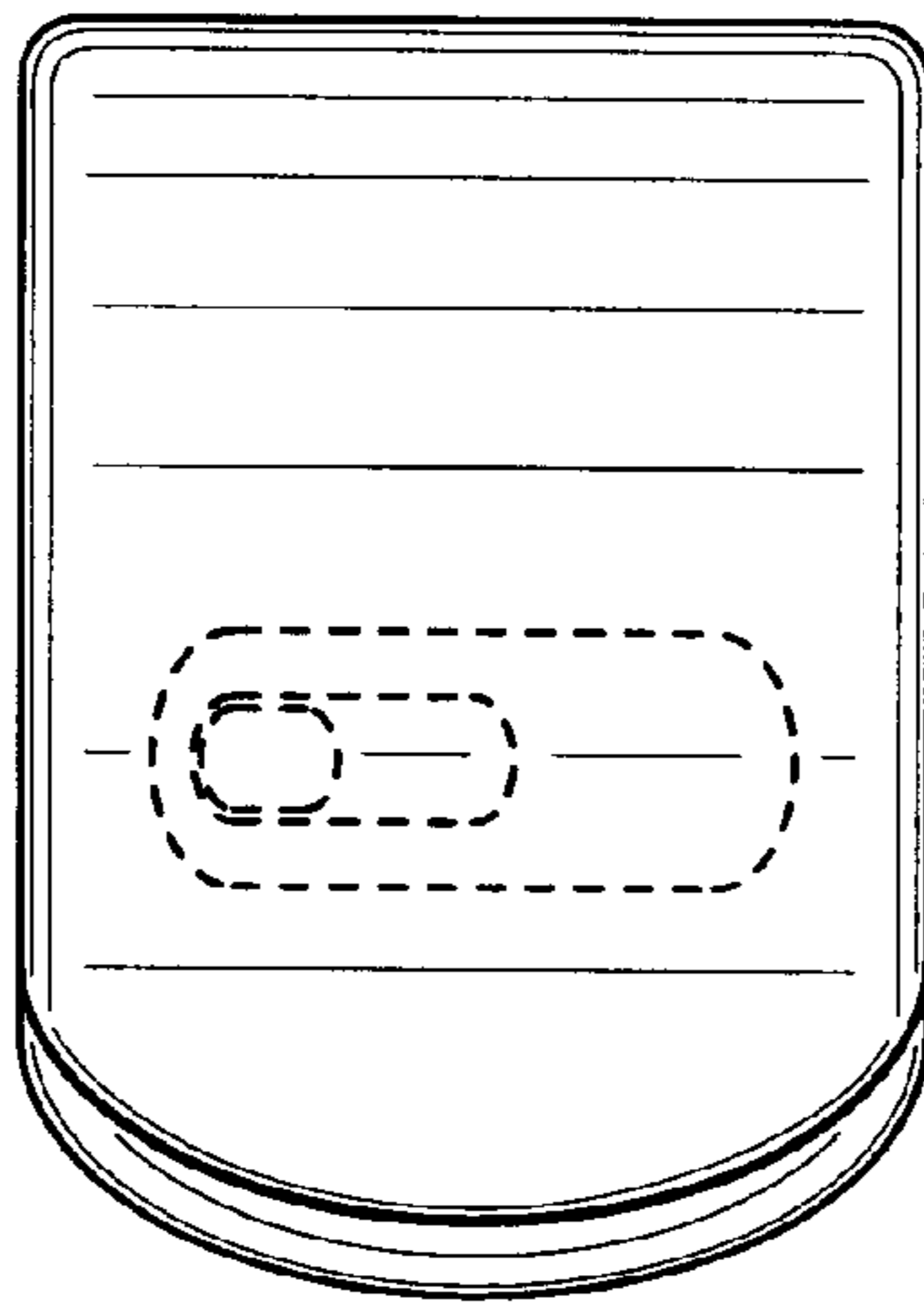


FIG. 2

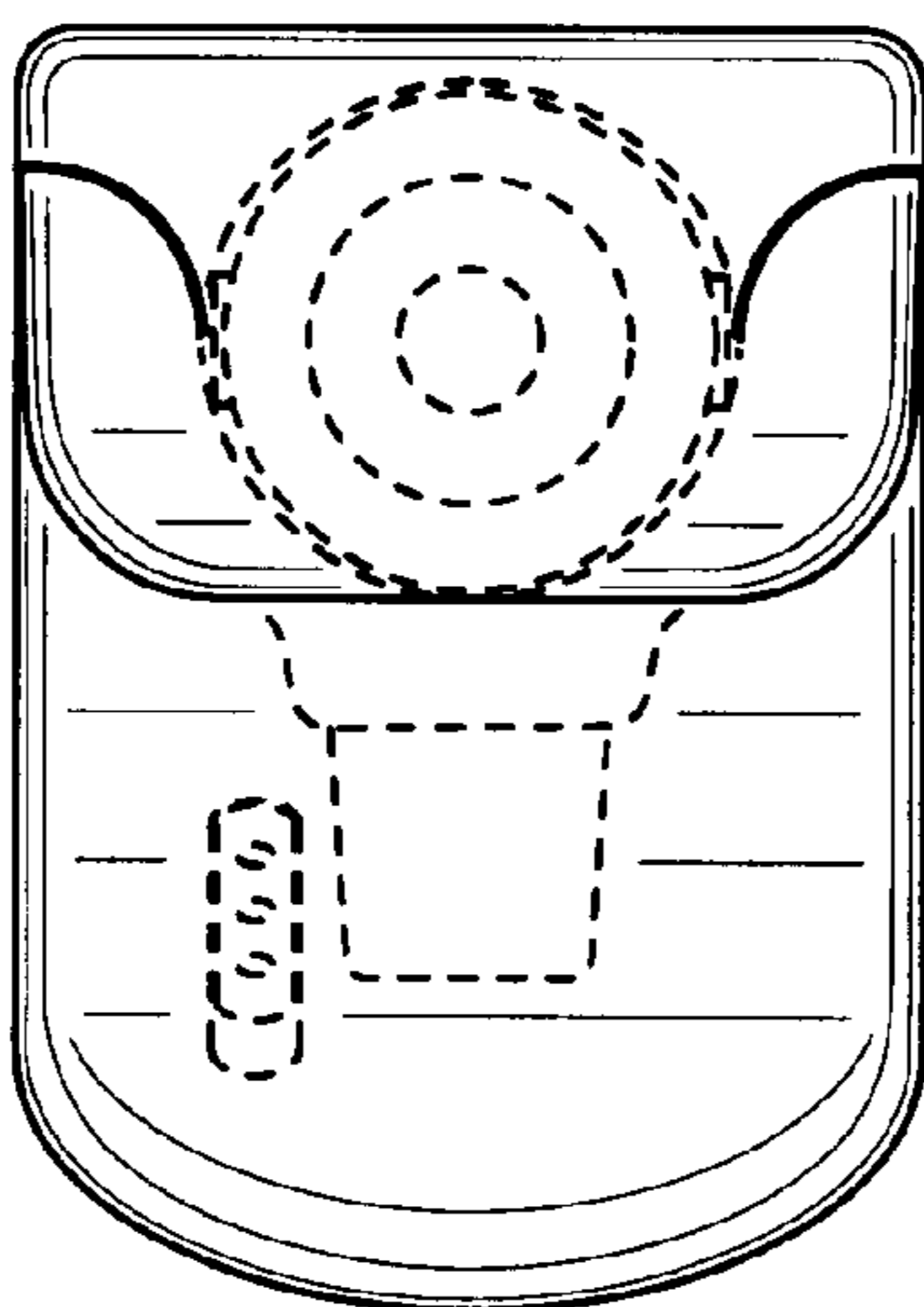


FIG. 3

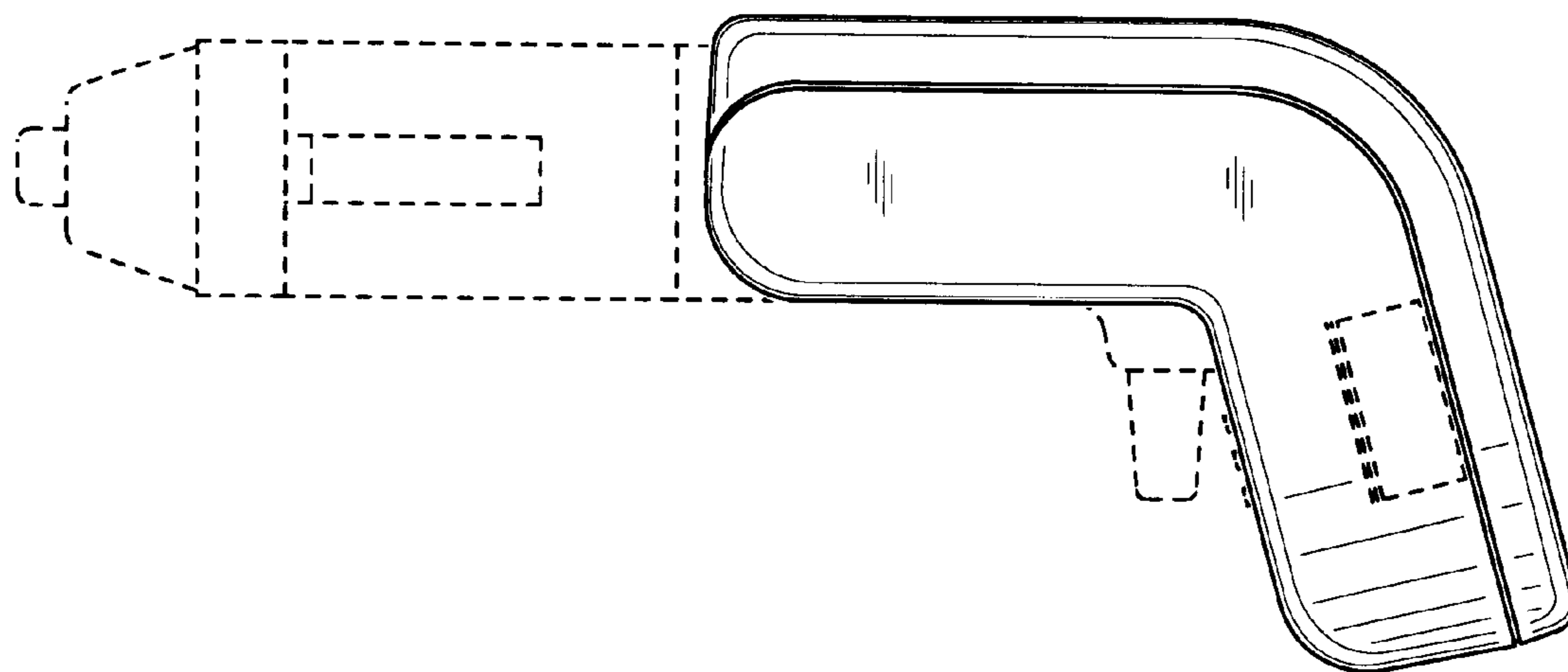


FIG. 4

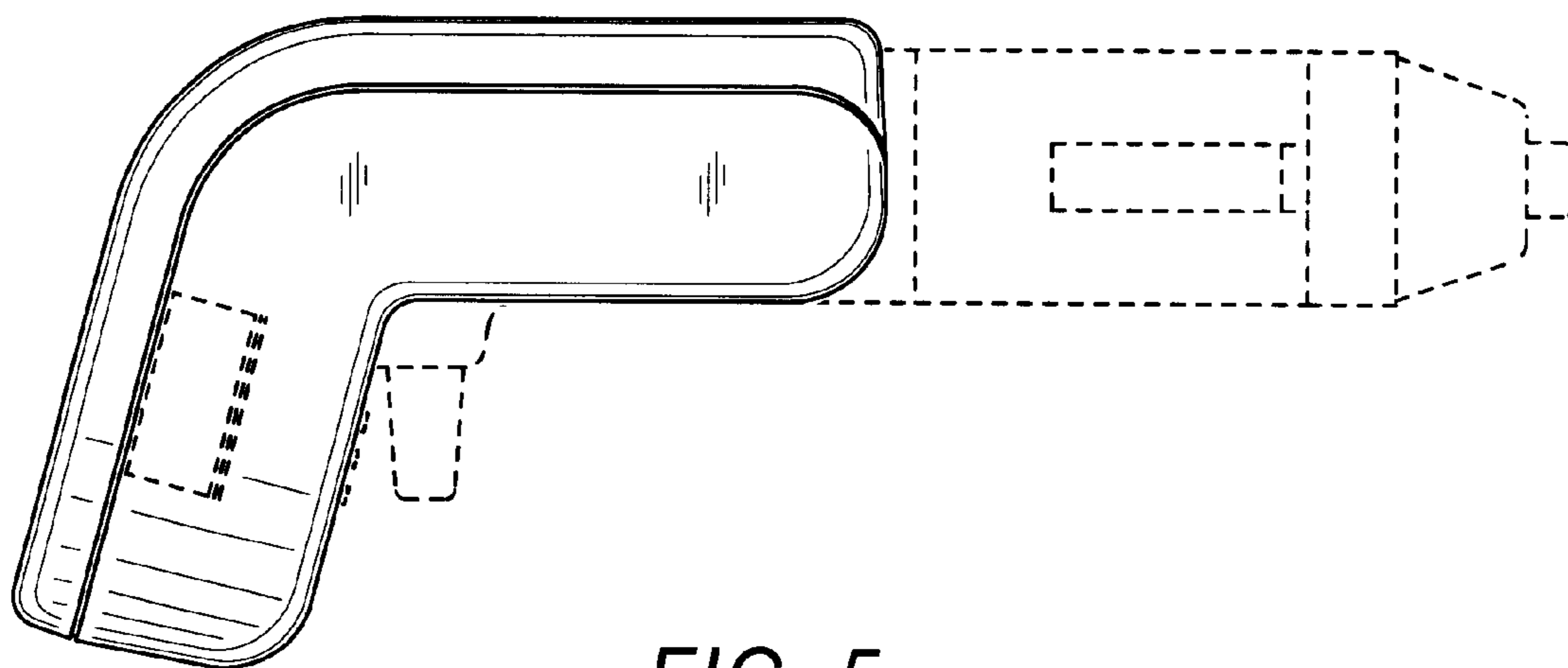


FIG. 5

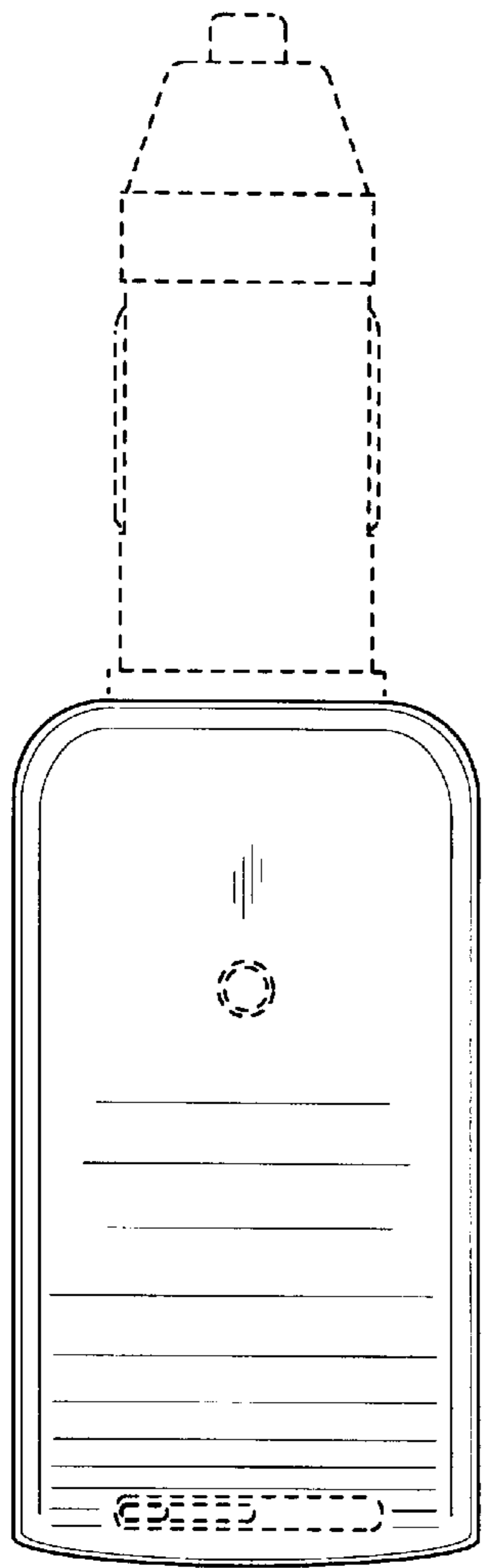


FIG. 6

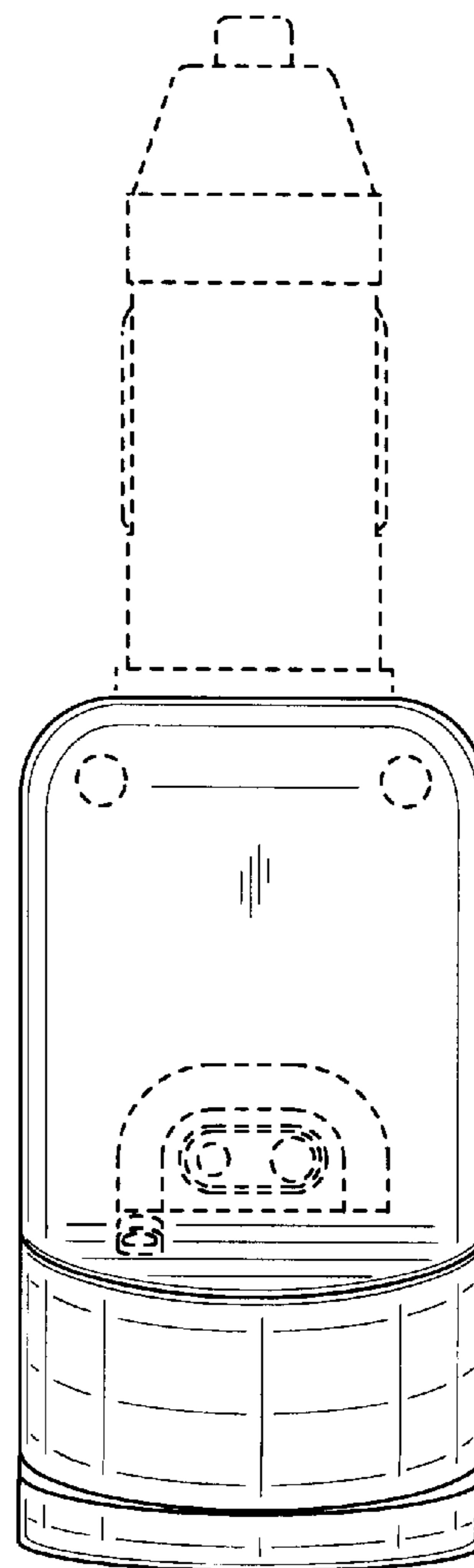


FIG. 7