



US00D521483S

(12) **United States Design Patent**
Kim et al.

(10) **Patent No.:** **US D521,483 S**

(45) **Date of Patent:** **** May 23, 2006**

(54) **PORTABLE TELEPHONE**

(75) Inventors: **Yu-Guen Kim**, Seoul (KR);
Hyun-Seop Kim, Seoul (KR);
Chang-Hwan Hwang, Seoul (KR)

(73) Assignee: **Samsung Electronics Co., Ltd.**,
Kyunggi-do (KR)

(**) Term: **14 Years**

(21) Appl. No.: **29/226,462**

(22) Filed: **Mar. 29, 2005**

(51) **LOC (8) Cl.** **14-03**

(52) **U.S. Cl.** **D14/138**

(58) **Field of Classification Search** D14/137,
D14/138, 147-148, 247-248, 144, 341-347;
379/433.01-433.13, 434; D21/517; 455/575.3,
455/566, 575.1; 345/169; 348/376, 14.02

See application file for complete search history.

U.S. Appl. No. 29/204,874, Applicant: Jin-Soo Kim, et al.,
filed May 5, 2004 entitled Portable Telephone.

U.S. Appl. No. 29/204,875, Applicant: Jin-Soo Kim, et al.,
filed May 5, 2004 entitled Portable Telephone.

U.S. Appl. No. 29/204,883, Applicant: Jin-Soo Kim, et al.,
filed May 5, 2004 entitled Portable Telephone.

U.S. Appl. No. 29/205,555, Applicant: Chi-Young Ahn, et
al., filed May 17, 2004 entitled Portable Telephone.

U.S. Appl. No. 29/205,559, Applicant: Chi-Young Ahn, et
al., filed May 17, 2004 entitled Portable Telephone.

U.S. Appl. No. 29/205,546, Applicant: Chi-Young Ahn, et
al., filed May 17, 2004 entitled Portable Telephone.

U.S. Appl. No. 29/214,253, Applicant: Hye-Jeong Lee, et
al., filed Sep. 27, 2004 entitled Portable Telephone.

U.S. Appl. No. 29/216,563, Applicant: Jin-Soo Kim, et al.,
filed Nov. 4, 2004 entitled Portable Telephone.

U.S. Appl. No. 29/226,417, Applicant: Jin-Soo Kim, et al.,
filed Mar. 29, 2005 entitled Portable Telephone.

U.S. Appl. No. 29/226,418, Applicant: Ji-Hyun Moon, et al.,
filed Mar. 29, 2005 entitled Portable Telephone.

U.S. Appl. No. 29/226,419, Applicant: Min-Ah Koh, et al.,
filed Mar. 29, 2005 entitled Portable Telephone.

(56) **References Cited**

U.S. PATENT DOCUMENTS

5,027,394 A	6/1991	Ono et al.
5,428,350 A	6/1995	Kurcbart et al.
5,436,954 A	7/1995	Nishiyama et al.
D407,716 S	4/1999	Park

(Continued)

FOREIGN PATENT DOCUMENTS

JP	D1154363	9/2002
JP	1167430	* 3/2003
JP	1188710	* 10/2003
WO	DM/066629	* 5/2005
WO	DM/066630	* 5/2005

OTHER PUBLICATIONS

U.S. Appl. No. 29/204,878, Applicant: Bum-Soo Park, et
al., filed May 5, 2004 entitled Portable Telephone.

U.S. Appl. No. 29/204,882, Applicant: Jin-Soo Kim, et al.,
filed May 5, 2004 entitled Portable Telephone.

(Continued)

Primary Examiner—Jeffrey Asch

(74) *Attorney, Agent, or Firm*—Flynn, Thiel, Boutell &
Tanis, P.C.

(57) **CLAIM**

The ornamental design for a portable telephone, as shown
and described.

DESCRIPTION

FIG. 1. is a top front perspective view of a portable tele-
phone showing our new design.

FIG. 2. is a front elevational view thereof.

FIG. 3. is a rear elevational view thereof.

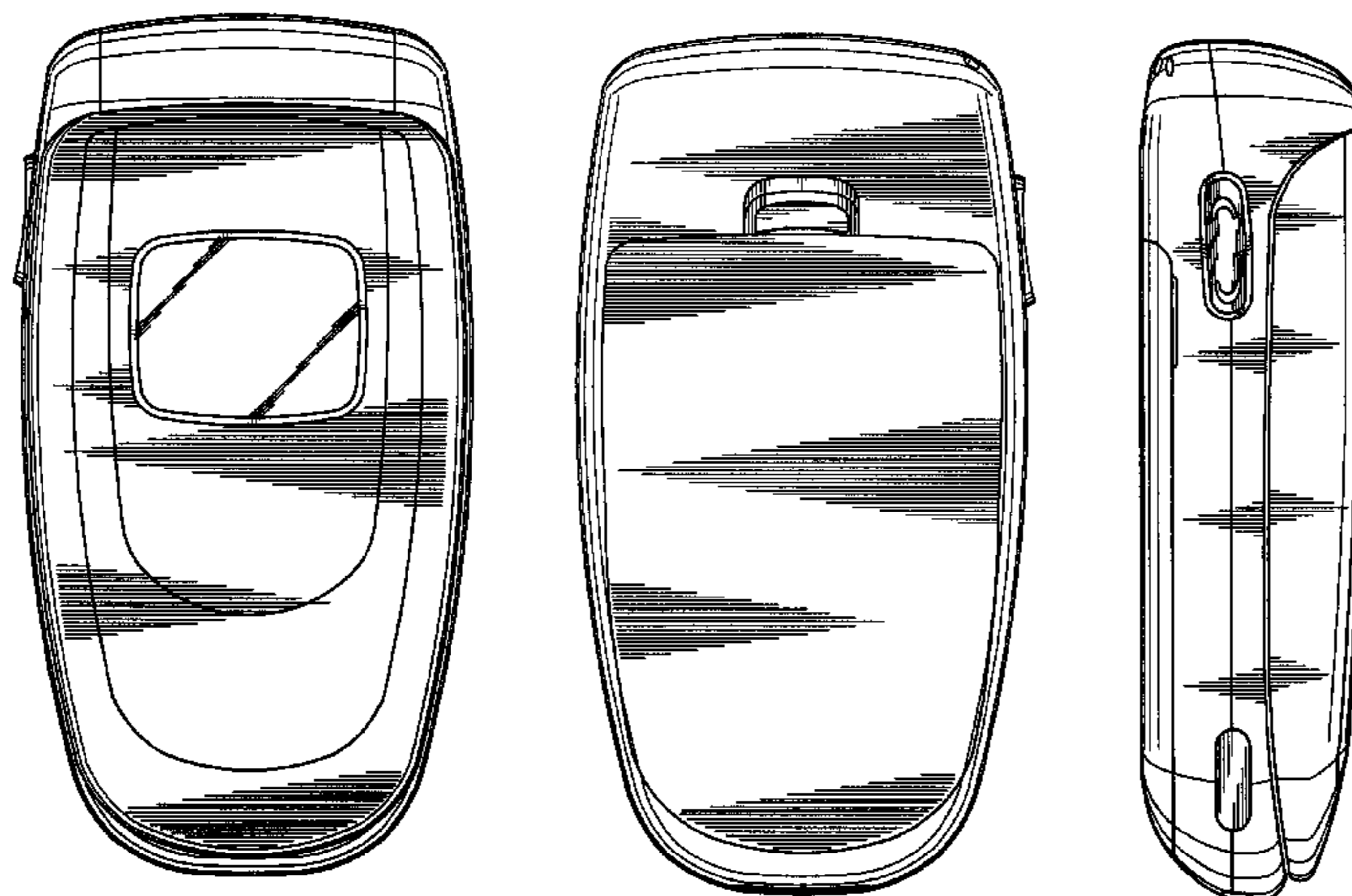
FIG. 4. is a left side elevational view thereof.

FIG. 5. is a right side elevational view thereof.

FIG. 6. is a top plan view thereof; and,

FIG. 7. is a bottom plan view thereof.

1 Claim, 6 Drawing Sheets



U.S. PATENT DOCUMENTS

D407,717 S 4/1999 Kim
 D407,718 S 4/1999 Lee
 D410,920 S 6/1999 Lee et al.
 D411,537 S 6/1999 Lee
 D414,765 S 10/1999 Park
 D415,151 S 10/1999 Kim
 D415,488 S 10/1999 Lee
 6,069,648 A 5/2000 Suso et al.
 D431,827 S 10/2000 Yim
 6,389,267 B1 5/2002 Imai
 6,396,924 B1 5/2002 Suso et al.
 D458,594 S 6/2002 Jang
 D465,466 S * 11/2002 Hyun D14/138
 D468,283 S * 1/2003 Hong et al. D14/138
 D469,070 S * 1/2003 Lee D14/138
 D477,293 S 7/2003 Hwang
 D481,697 S * 11/2003 Rausch et al. D14/138
 D483,342 S * 12/2003 Lee et al. D14/138
 D484,862 S 1/2004 Yang
 D484,863 S 1/2004 Chan
 D485,248 S * 1/2004 Ogawa D14/138
 D485,249 S 1/2004 Liao et al.
 D485,818 S 1/2004 Yabe et al.
 D486,461 S * 2/2004 Seo et al. D14/138
 D486,462 S * 2/2004 Lim D14/138
 D486,810 S * 2/2004 Chung D14/138
 D486,811 S 2/2004 Lheem
 D487,443 S 3/2004 Yoon
 D487,444 S 3/2004 Yoon
 D488,453 S 4/2004 Chang et al.
 D489,697 S * 5/2004 Lee et al. D14/138
 D489,698 S 5/2004 Kim et al.
 D489,699 S 5/2004 Hwang et al.
 D490,389 S 5/2004 Yang
 D491,906 S 6/2004 Okamatsu
 D491,907 S 6/2004 Ogawa
 D491,908 S * 6/2004 Son D14/138
 D493,439 S 7/2004 Hong et al.
 D493,440 S 7/2004 Chou et al.
 D495,672 S 9/2004 Jeon et al.
 D495,674 S 9/2004 Yoo et al.
 D496,020 S 9/2004 Lee
 D496,021 S 9/2004 Jang
 D496,347 S * 9/2004 Choi et al. D14/191
 D497,604 S * 10/2004 Lee D14/138
 D498,220 S * 11/2004 Park D14/138
 D500,016 S * 12/2004 Kim D14/138
 D500,481 S * 1/2005 Kim et al. D14/138
 D500,993 S 1/2005 Hwang
 D501,458 S 2/2005 Kim et al.
 D501,658 S 2/2005 Park et al.
 D501,837 S 2/2005 Kim et al.
 D501,838 S 2/2005 Kim et al.
 D501,839 S * 2/2005 Lee et al. D14/138
 D502,161 S 2/2005 Kim et al.
 D502,458 S * 3/2005 Chung et al. D14/138
 D503,164 S 3/2005 Park et al.
 D503,695 S * 4/2005 Kota et al. D14/138
 D504,406 S 4/2005 Cho et al.
 D506,454 S 6/2005 Kim et al.
 D506,738 S 6/2005 Kim et al.
 D507,252 S 7/2005 Kim et al.

D507,556 S * 7/2005 Watanabe et al. D14/138
 D508,034 S * 8/2005 Liao D14/138
 D508,476 S * 8/2005 Kim D14/138
 D508,686 S * 8/2005 Kim et al. D14/138
 D510,078 S * 9/2005 Lee et al. D14/138
 D510,733 S * 10/2005 Lee et al. D14/138
 2001/0036845 A1 11/2001 Park
 2002/0187818 A1 12/2002 Kang
 2003/0109232 A1 6/2003 Park et al.
 2003/0148742 A1 * 8/2003 Kim 455/90
 2004/0009790 A1 1/2004 Im
 2004/0023684 A1 2/2004 Sato et al.
 2004/0097258 A1 5/2004 Lee et al.
 2004/0097262 A1 5/2004 Lee
 2004/0132513 A1 7/2004 Taneda et al.
 2004/0142718 A1 7/2004 Kim
 2004/0142734 A1 7/2004 Kim
 2004/0189609 A1 * 9/2004 Estes et al. 345/169

OTHER PUBLICATIONS

U.S. Appl. No. 29/226,420, Applicant: Min-Hyoun Lee, et al., filed Mar. 29, 2005 entitled Portable Telephone.
 U.S. Appl. No. 29/226,442, Applicant: Min-Hyoun Lee, et al., filed Mar. 29, 2005 entitled Portable Telephone.
 U.S. Appl. No. 29/226,443, Applicant: Jin-Soo Kim, et al., filed Mar. 29, 2005 entitled Portable Telephone.
 U.S. Appl. No. 29/226,470, Applicant: Nam-Su Kim, et al., filed Mar. 29, 2005 entitled Portable Telephone.
 U.S. Appl. No. 29/226,474, Applicant: Nam-Su Kim, et al., filed Mar. 29, 2005 entitled Portable Telephone.
 U.S. Appl. No. 29/226,460, Applicant: Nam-Su Kim, et al., filed Mar. 29, 2005 entitled Portable Telephone.
 U.S. Appl. No. 29/226,461, Applicant: Joon-Ki Yun, et al., filed Mar. 29, 2005 entitled Portable Telephone.
 U.S. Appl. No. 29/226,463, Applicant: Jin-Soo Kim, et al., filed Mar. 29, 2005 entitled Portable Telephone.
 U.S. Appl. No. 29/226,465, Applicant: Ki-Eon Lee, et al., filed Mar. 29, 2005 entitled Portable Telephone.
 U.S. Appl. No. 29/226,464, Applicant: Joon-Ki Yun, et al., filed Mar. 29, 2005 entitled Portable Telephone.
 U.S. Appl. No. 29/226,454, Applicant: Woo-Seung Han, et al., filed Mar. 29, 2005 entitled Portable Telephone.
 U.S. Appl. No. 29/226,455, Applicant: Woo-Seung Han, et al., filed Mar. 29, 2005 entitled Portable Telephone.
 U.S. Appl. No. 29/226,982, Applicant: Yu-Guen Kim, et al., filed Apr. 5, 2005 entitled Portable Telephone.
 U.S. Appl. No. 29/226,990, Applicant: Yu-Guen Kim, et al., filed Apr. 5, 2005 entitled Portable Telephone.
 U.S. Appl. No. 29/227,339, Applicant: Joon-Suh Kim, et al., filed Apr. 7, 2005 entitled Portable Telephone.
 U.S. Appl. No. 29/227,338, Applicant: Joon-Suh Kim, et al., filed Apr. 7, 2005 entitled Portable Telephone.
 U.S. Appl. No. 29/227,258, Applicant: Min-Ah Koh, et al., filed Apr. 8, 2005 entitled Portable Telephone.
 U.S. Appl. No. 29/219,068, Applicant: Dae-Yoeb Park, et al., filed Dec. 10, 2004 entitled Portable Telephone.
 U.S. Appl. No. 29/224,584, Applicant: Ha-Youl Jung, et al., filed Mar. 3, 2005 entitled Portable Telephone.

* cited by examiner

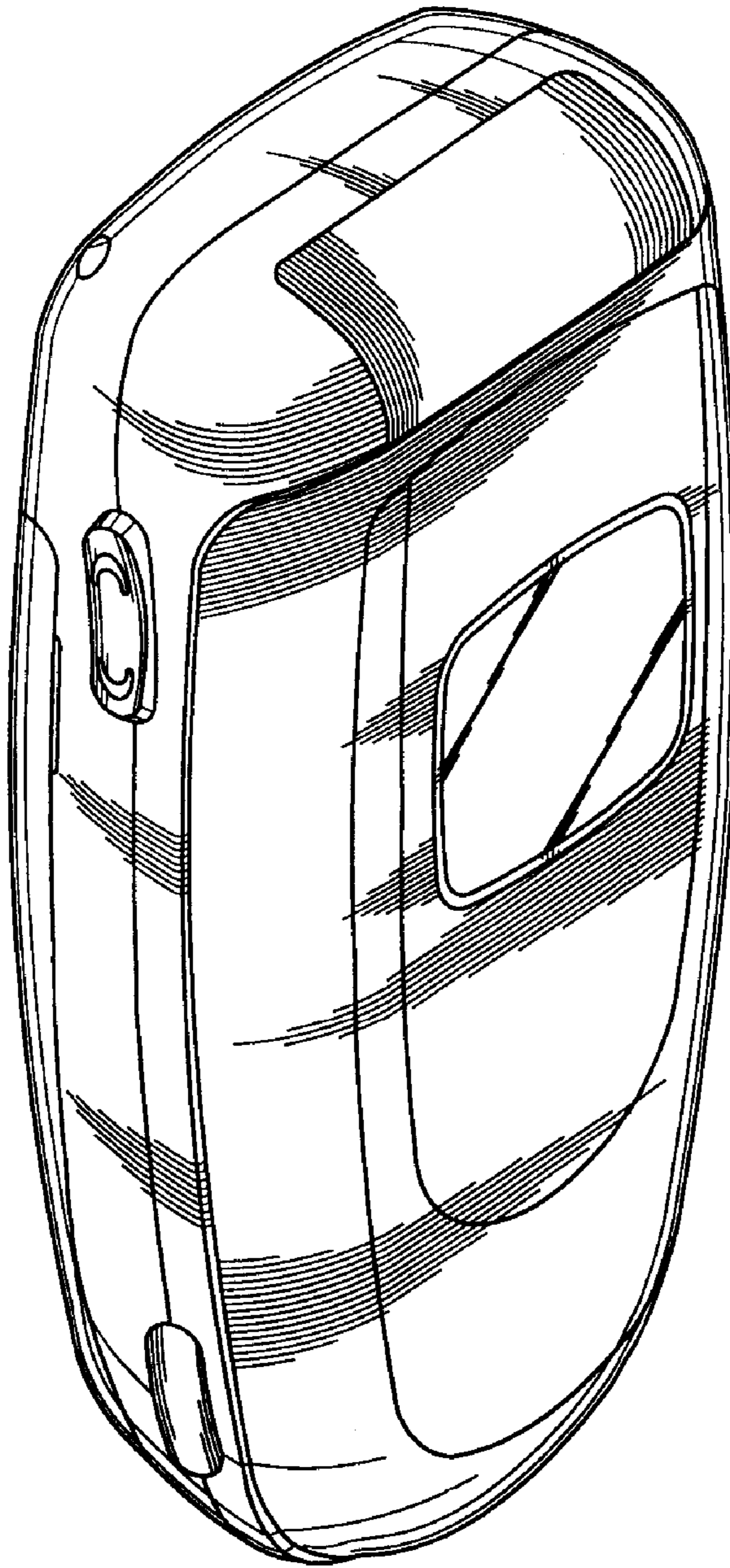


FIG. 1

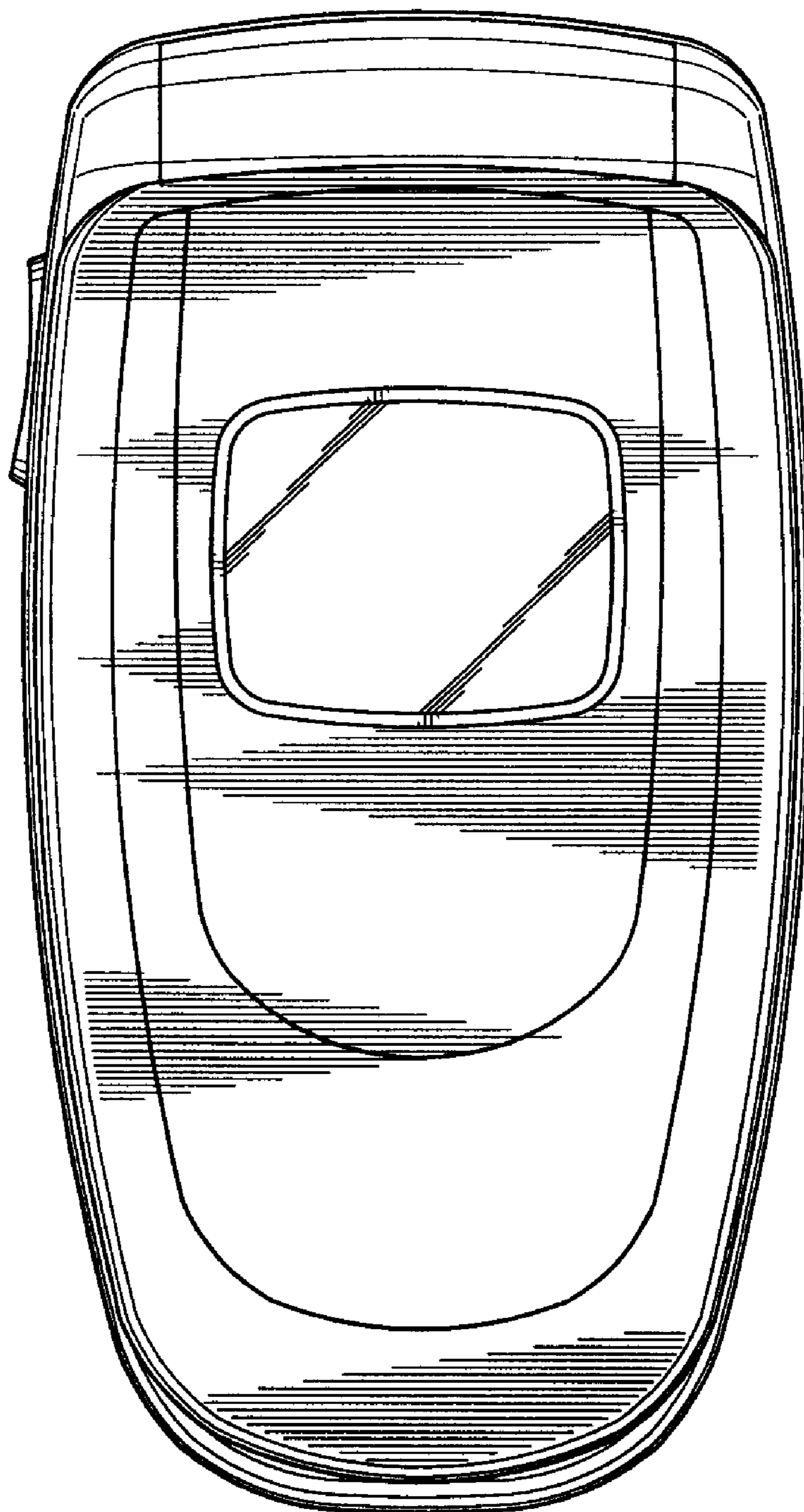


FIG.2

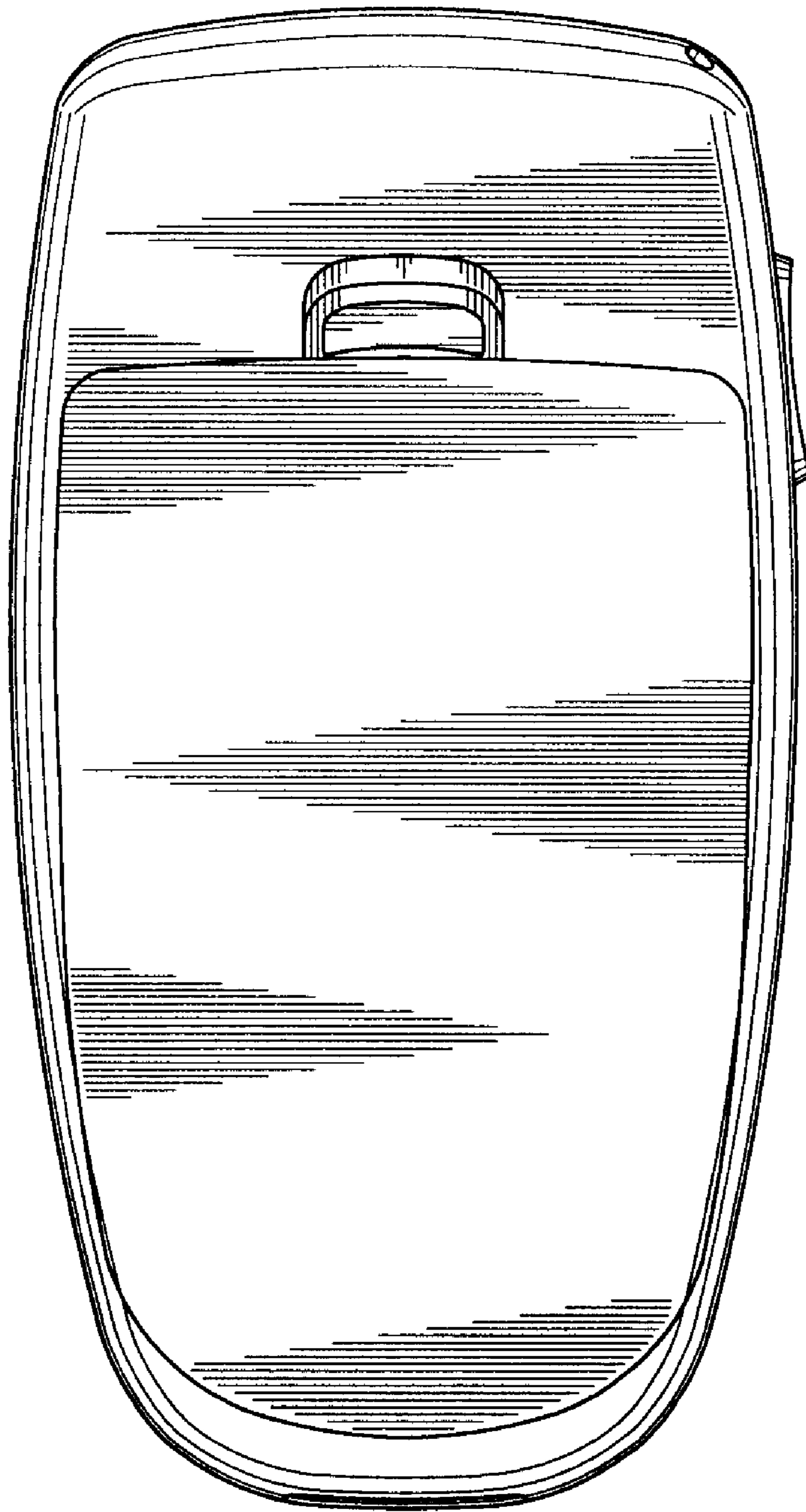


FIG. 3

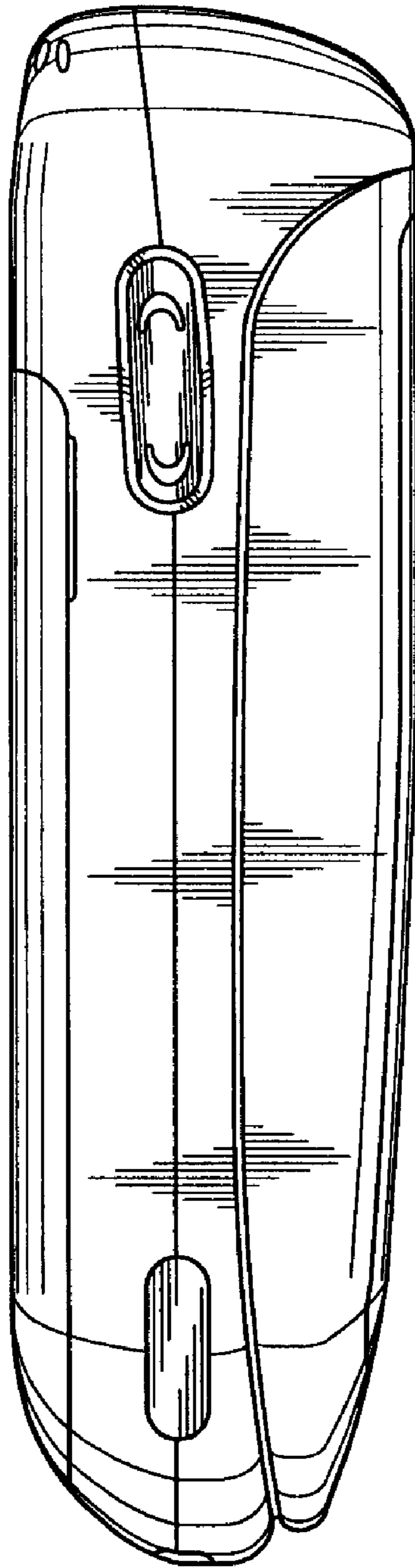


FIG. 4

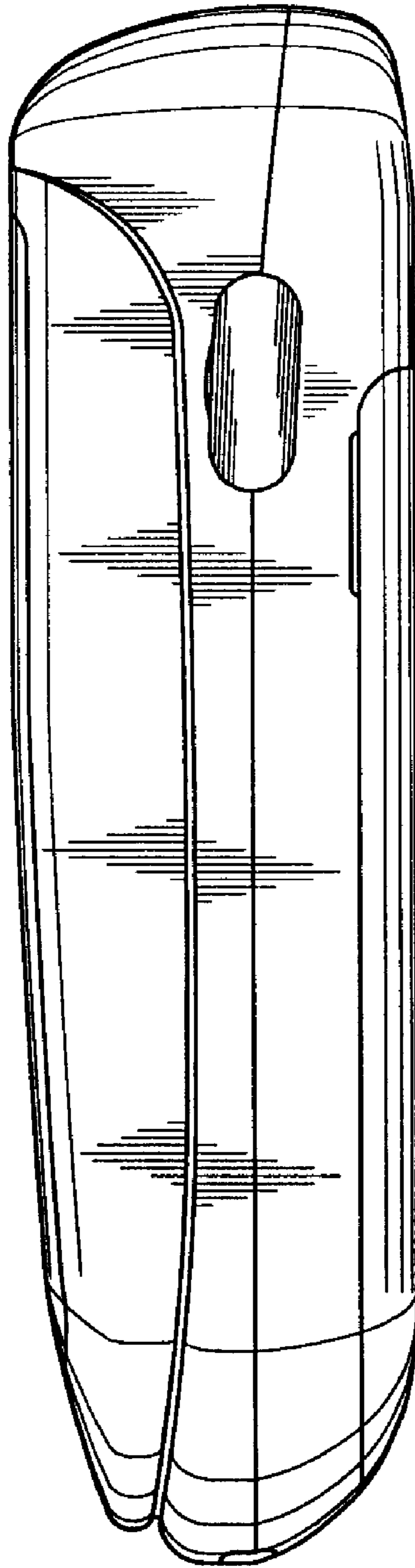


FIG. 5

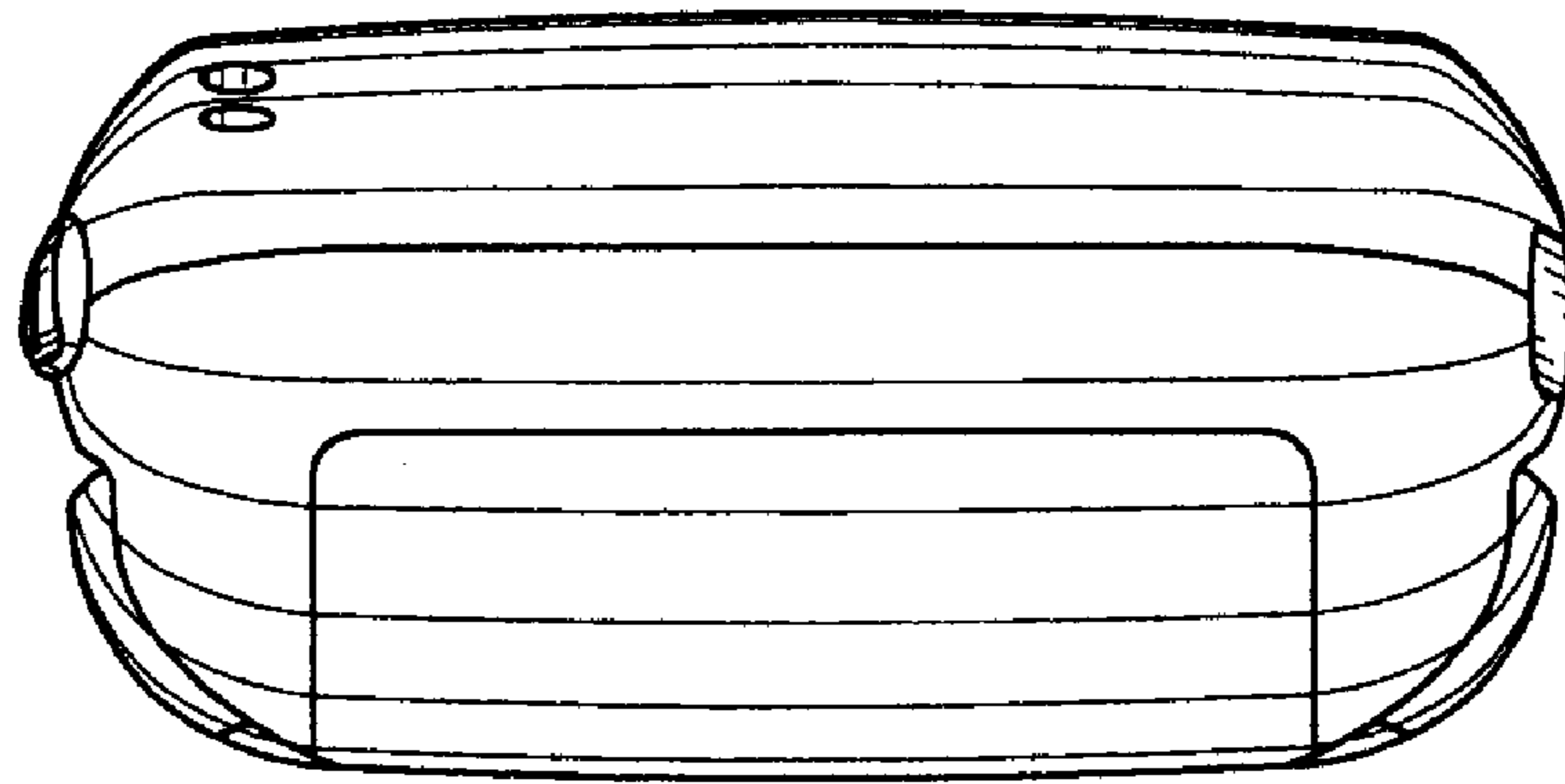


FIG. 6

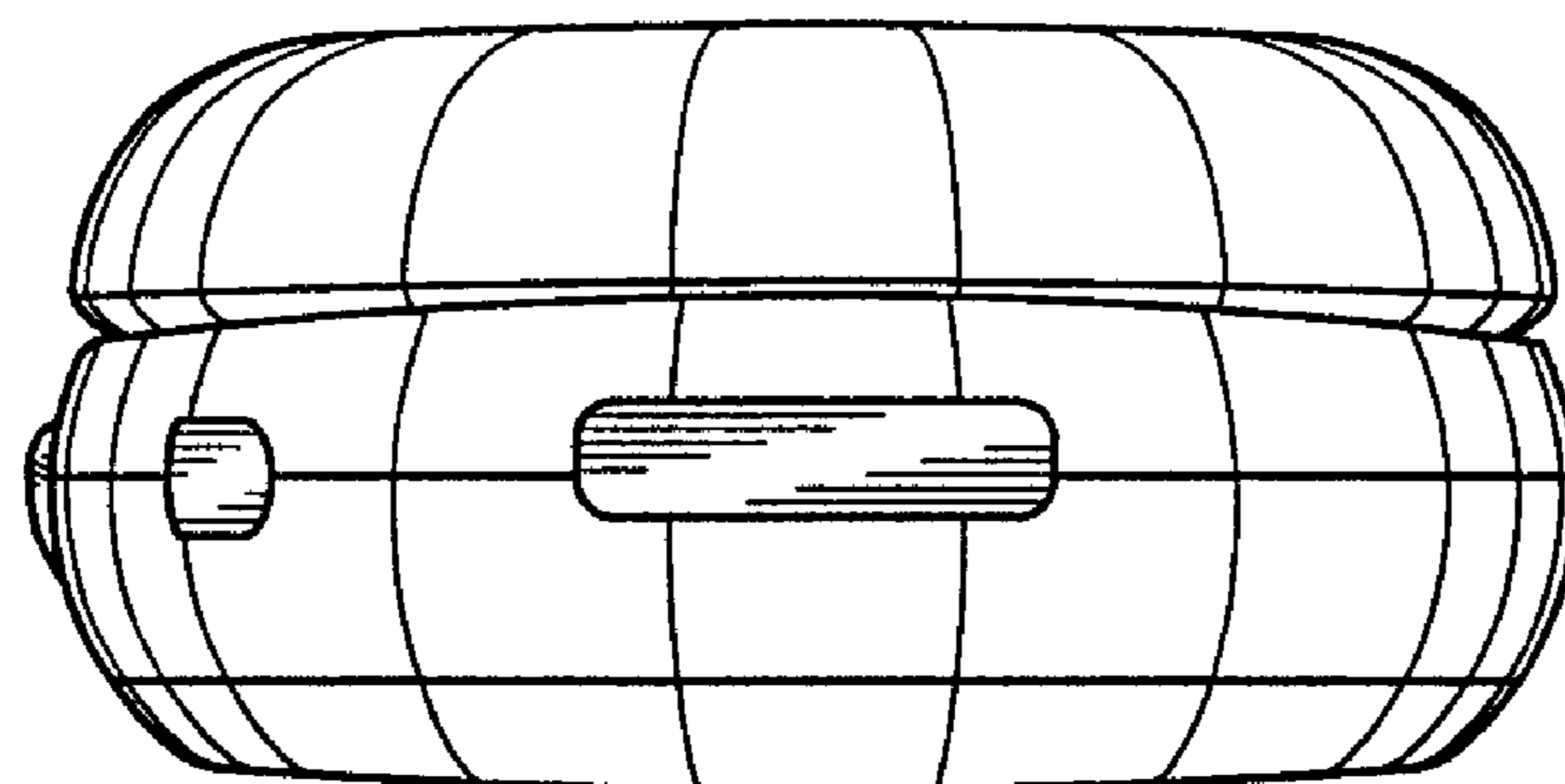


FIG. 7