



US00D521479S

(12) **United States Design Patent**
Cho et al.

(10) **Patent No.:** **US D521,479 S**

(45) **Date of Patent:** **** May 23, 2006**

(54) **PORTABLE TELEPHONE**

(75) Inventors: **Yoon-Young Cho**, Seoul (KR);
Chang-Hwan Hwang, Kyungiki-Do
(KR)

(73) Assignee: **Samsung Electronics Co., Ltd.**,
Suwon-si (KR)

(**) **Term:** **14 Years**

(21) **Appl. No.:** **29/220,760**

(22) **Filed:** **Jan. 6, 2005**

(30) **Foreign Application Priority Data**

Aug. 31, 2004 (KR) 30-2004-0026691

(51) **LOC (8) Cl.** **14-03**

(52) **U.S. Cl.** **D14/138**

(58) **Field of Classification Search** D14/137,
D14/138, 147-148, 247-248, 144, 341-347;
379/433.01-433.13, 434; D21/517; 455/575.3,
455/566, 575.1; 345/169

See application file for complete search history.

(56) **References Cited**

U.S. PATENT DOCUMENTS

D465,466 S	*	11/2002	Hyun	D14/138
D485,249 S	*	1/2004	Liao et al.	D14/138
D485,818 S	*	1/2004	Yabe et al.	D14/138
D487,443 S	*	3/2004	Yoon	D14/138
D495,672 S	*	9/2004	Jeon et al.	D14/138
D497,604 S	*	10/2004	Lee	D14/138
D498,734 S	*	11/2004	Joung	D14/138
D500,481 S	*	1/2005	Kim et al.	D14/138
D501,457 S	*	2/2005	Lee et al.	D14/138
D501,837 S	*	2/2005	Kim et al.	D14/138
D503,695 S	*	4/2005	Kota et al.	D14/138
D505,125 S	*	5/2005	Ahn et al.	D14/138

D506,454 S	*	6/2005	Kim et al.	D14/138
D507,252 S	*	7/2005	Kim et al.	D14/138
D507,787 S	*	7/2005	Ahn et al.	D14/138
D508,030 S	*	8/2005	Jeoung et al.	D14/138
D508,032 S	*	8/2005	Kim et al.	D14/138
D508,033 S	*	8/2005	Kim et al.	D14/138
D508,034 S	*	8/2005	Liao	D14/138
D508,036 S	*	8/2005	Wada	D14/138
D508,686 S	*	8/2005	Kim et al.	D14/138
2004/0097258 A1	*	5/2004	Lee et al.	455/550.1
2004/0142734 A1	*	7/2004	Kim	455/575.1
2004/0203535 A1	*	10/2004	Kim et al.	455/90.3
2005/0003852 A1	*	1/2005	Song	455/550.1
2005/0020327 A1	*	1/2005	Chung et al.	455/575.3
2005/0113156 A1	*	5/2005	Park et al.	455/575.4
2005/0140778 A1	*	6/2005	Kim et al.	348/14.02

FOREIGN PATENT DOCUMENTS

JP 1154363 * 9/2002

* cited by examiner

Primary Examiner—Jeffrey Asch

(74) *Attorney, Agent, or Firm*—Leydig, Voit & Mayer, Ltd.

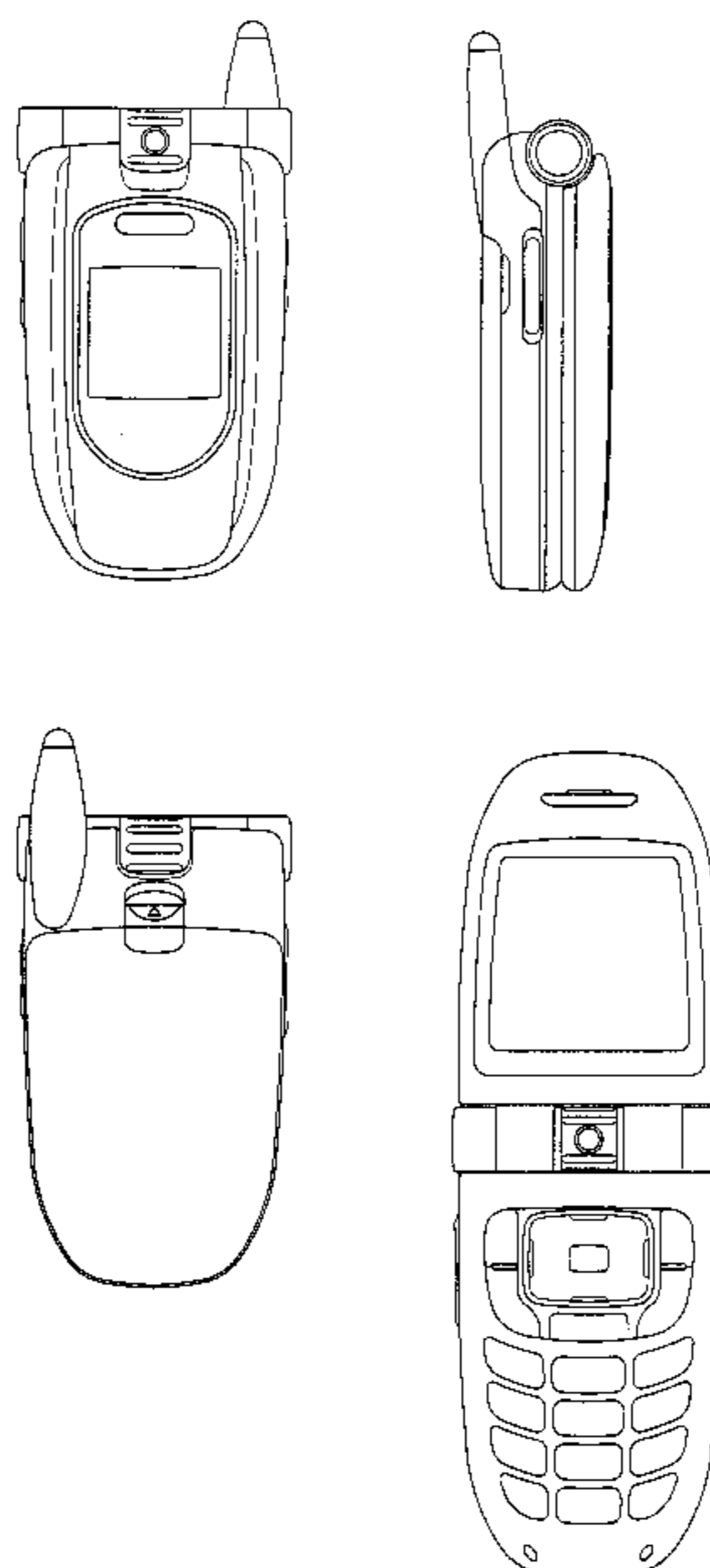
(57) **CLAIM**

We claim the ornamental design for a portable telephone, as shown and described.

DESCRIPTION

FIG. 1 is a perspective view of a portable telephone, when closed, according to our new design;
FIG. 2 is a front view thereof, when closed;
FIG. 3 is a rear view thereof, when closed;
FIG. 4 is a left side view thereof, when closed;
FIG. 5 is a right side view thereof, when closed;
FIG. 6 is a top view thereof, when closed;
FIG. 7 is a bottom view thereof, when closed; and,
FIG. 8 is a front view thereof, when open.

1 Claim, 5 Drawing Sheets



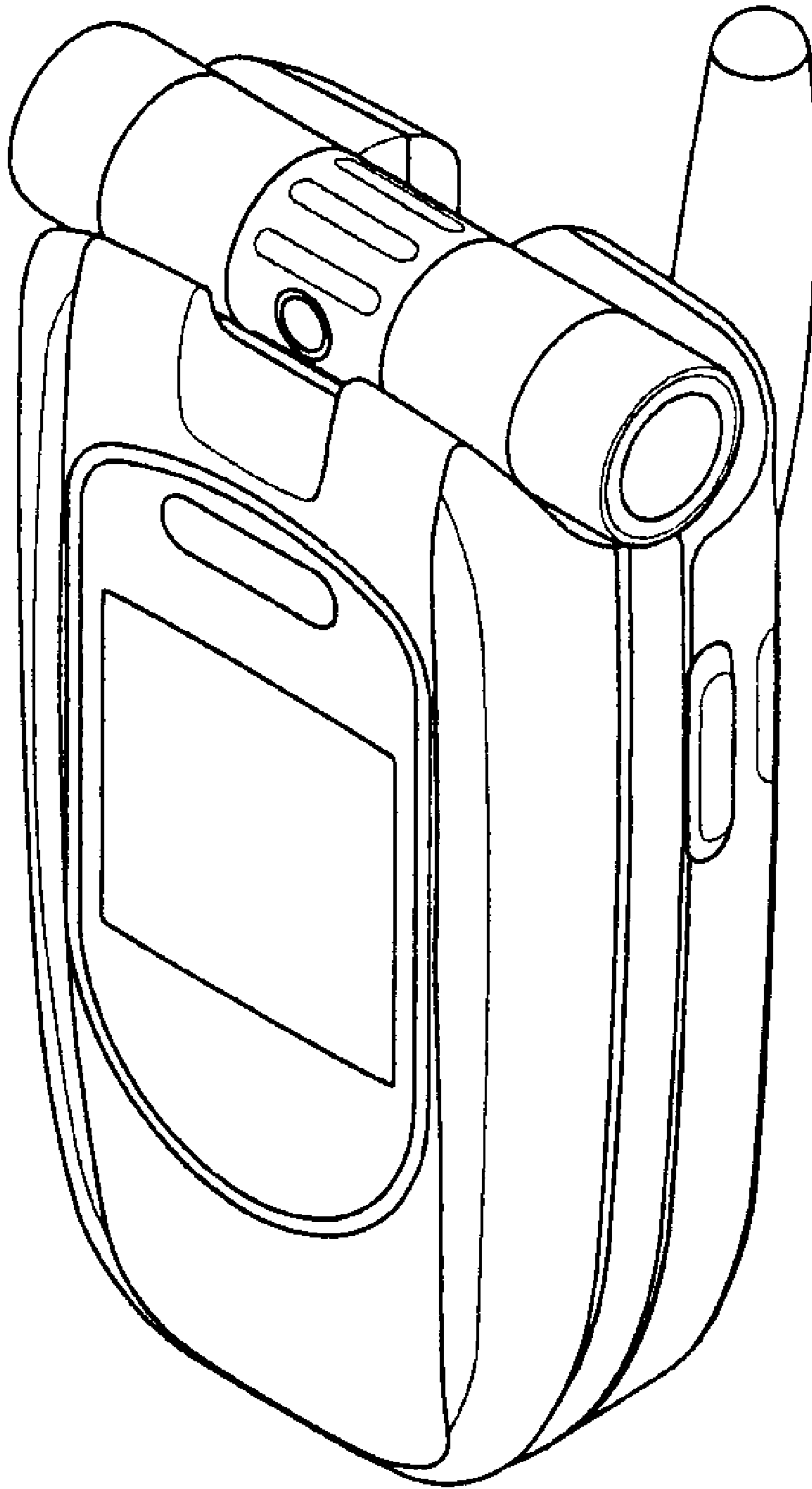


Fig. 1

Fig. 2

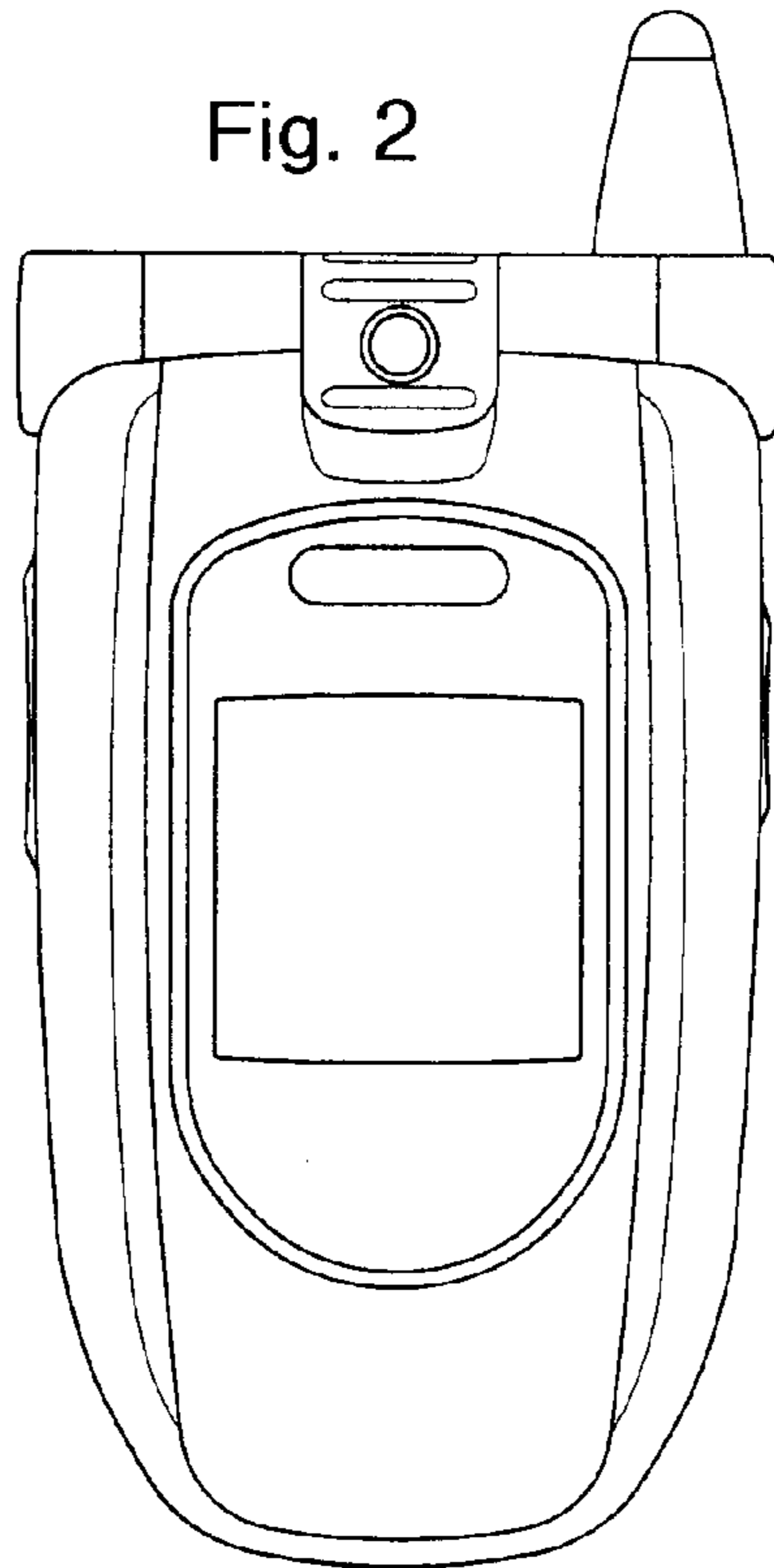
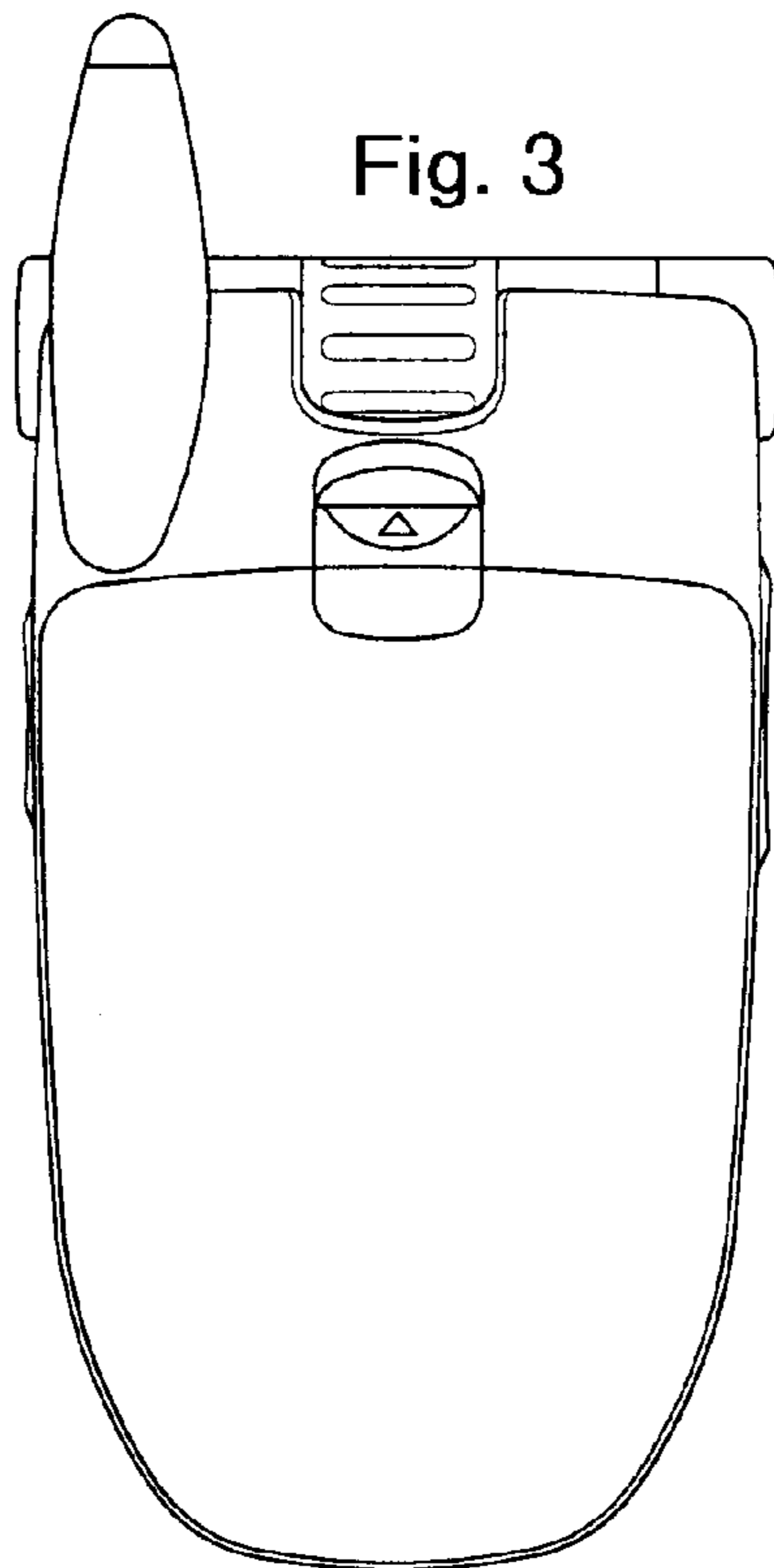
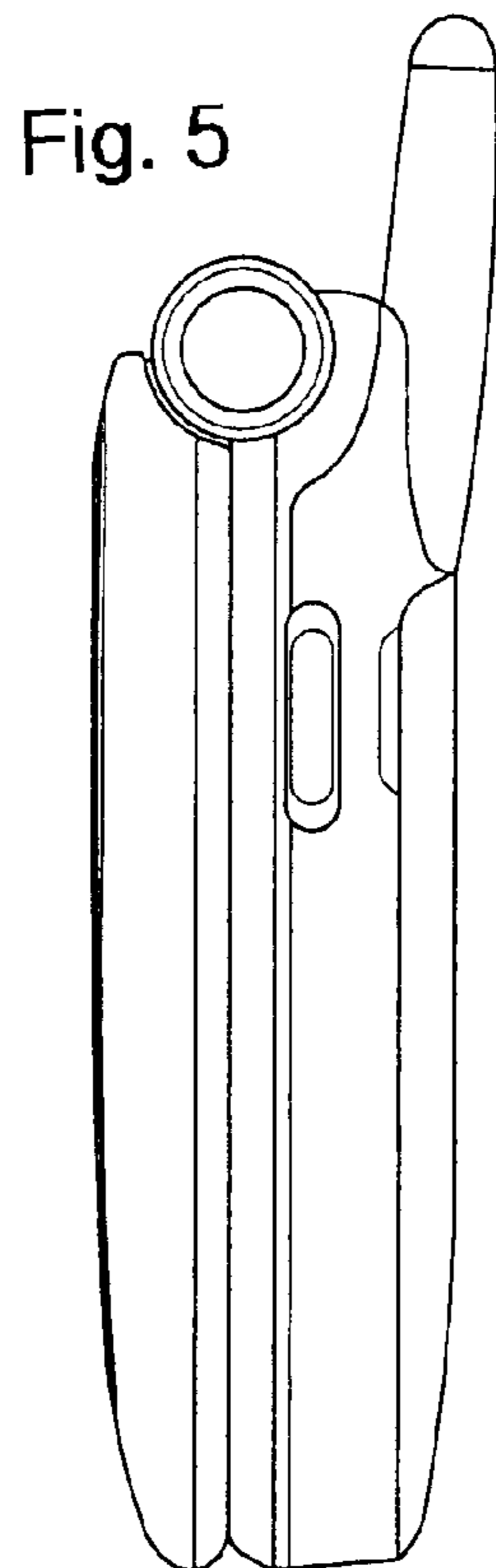
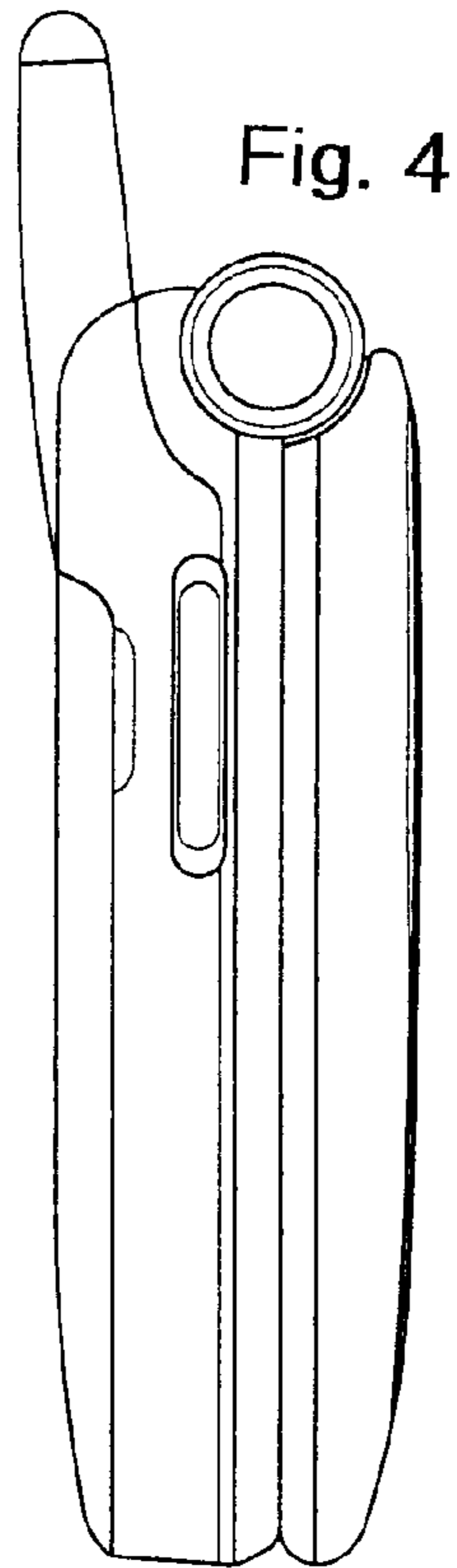


Fig. 3





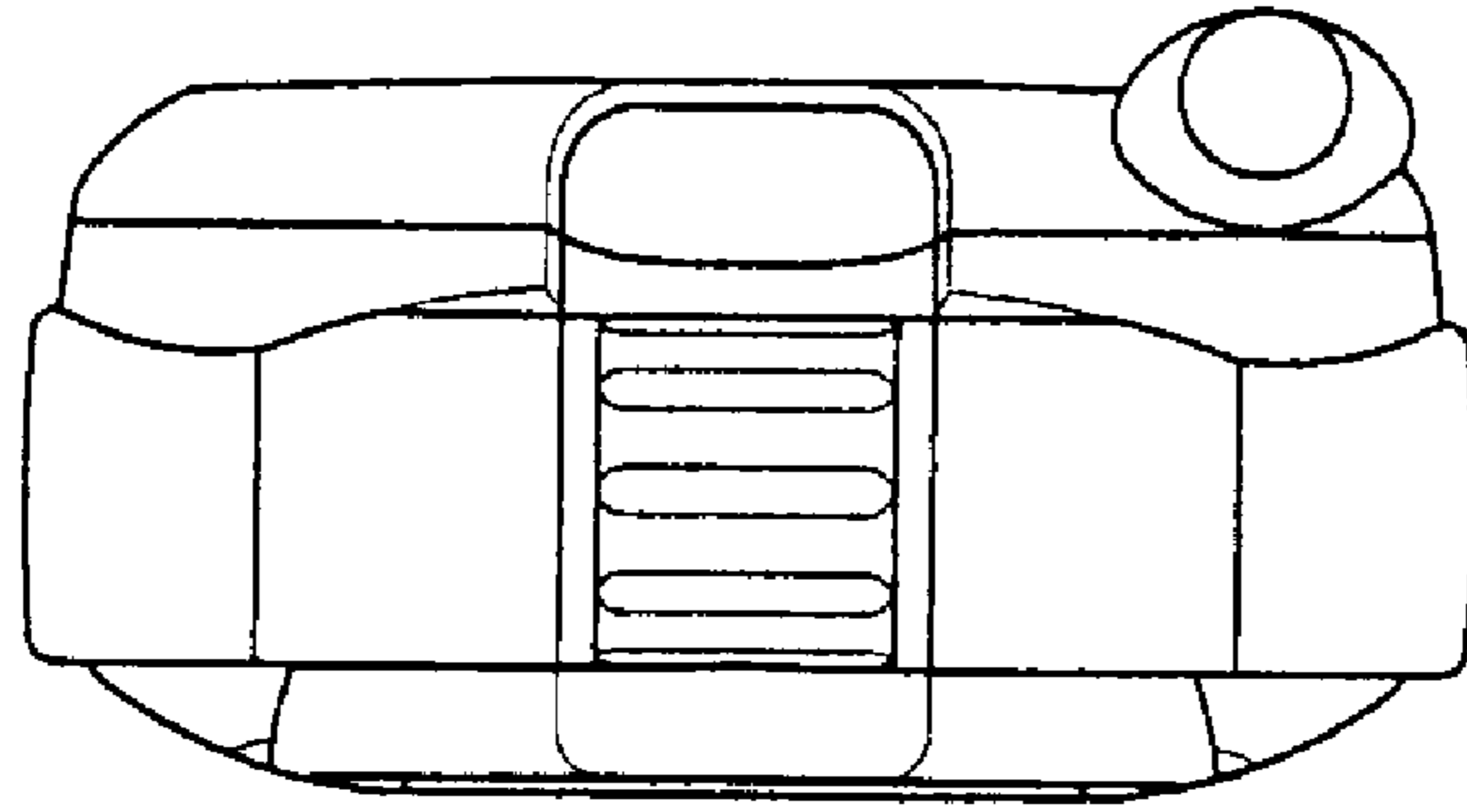


Fig. 6

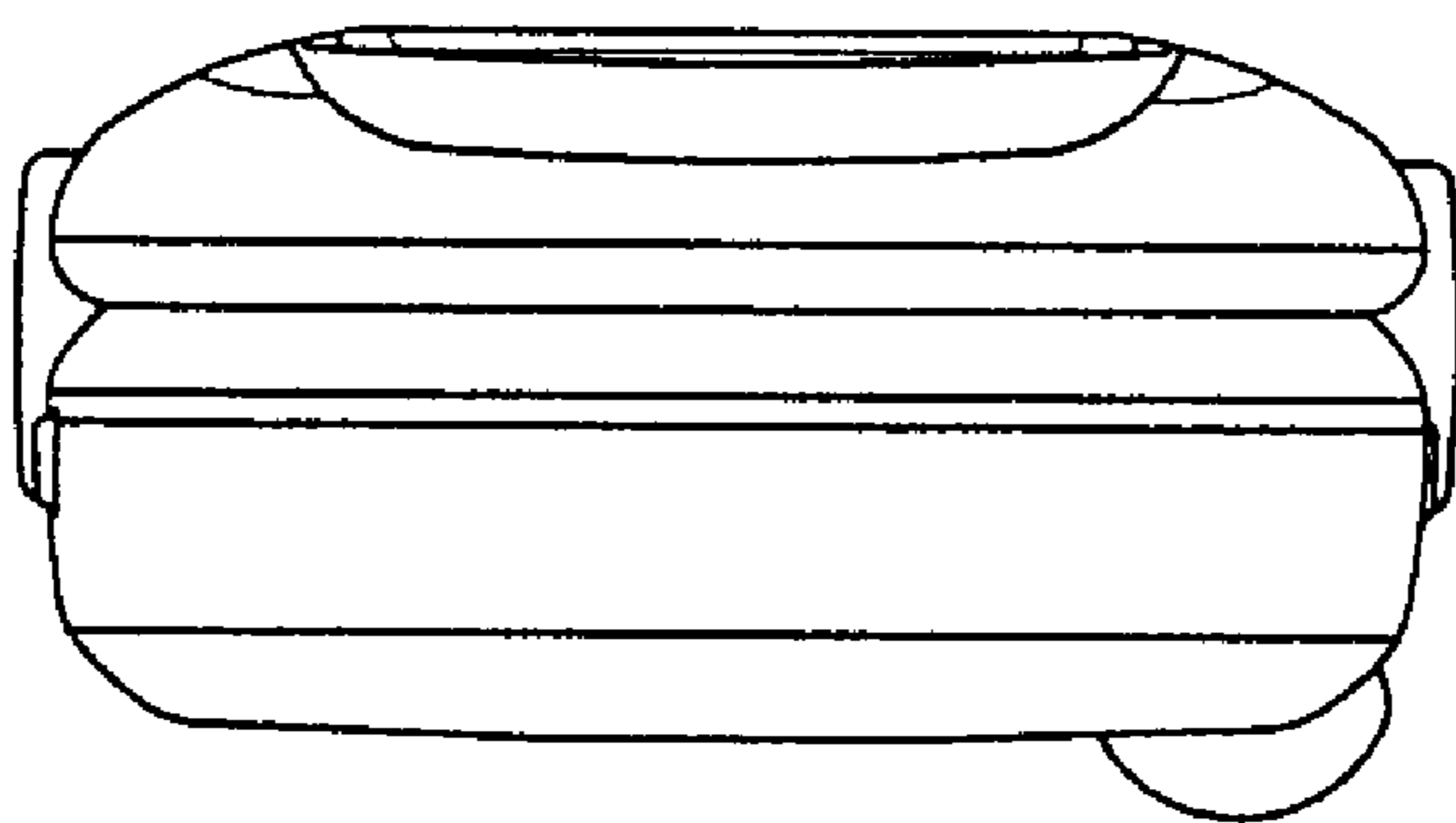


Fig. 7

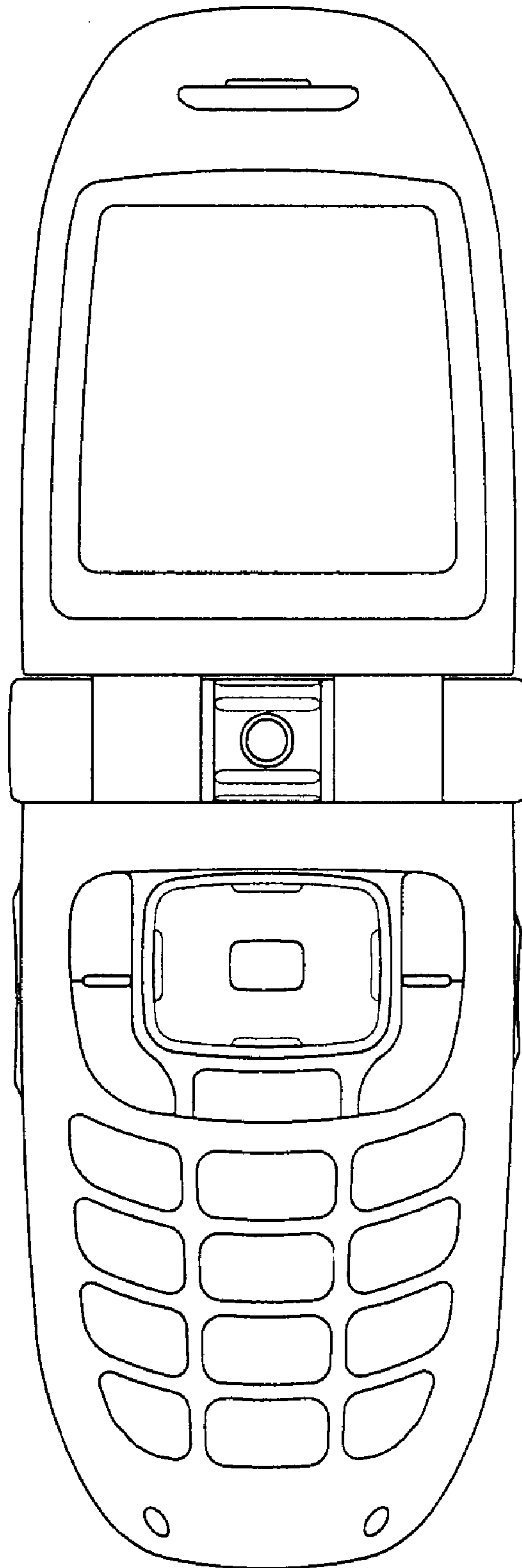


Fig. 8