

US00D521478S

(12) **United States Design Patent**
Lee et al.

(10) **Patent No.:** **US D521,478 S**
(45) **Date of Patent:** **** May 23, 2006**

(54) **PORTABLE TELEPHONE**

(75) Inventors: **Hye-Jeong Lee**, Seoul (KR);
Chang-Hwan Hwang, Kyungki-Do
(KR); **Chi-Young Ahn**, Seoul (KR)

(73) Assignee: **Samsung Electronics Co., Ltd.**,
Suwon-si (KR)

(**) **Term:** **14 Years**

(21) **Appl. No.:** **29/220,287**

(22) **Filed:** **Dec. 29, 2004**

(30) **Foreign Application Priority Data**

Aug. 31, 2004 (KR) 30-2004-0026658

(51) **LOC (8) Cl.** **14-03**

(52) **U.S. Cl.** **D14/138**

(58) **Field of Classification Search** D14/137,
D14/138, 147-148, 247-248, 144, 341-347;
379/433.01-433.13, 434; D21/517; 455/575.3,
455/566, 575.1; 345/169

See application file for complete search history.

(56) **References Cited**

U.S. PATENT DOCUMENTS

D449,605 S	*	10/2001	Schebesch et al.	D14/345
D477,296 S	*	7/2003	Minamide	D14/138
D481,697 S	*	11/2003	Rausch et al.	D14/138
D484,863 S	*	1/2004	Chan	D14/138
D485,818 S	*	1/2004	Yabe et al.	D14/138
D487,443 S	*	3/2004	Yoon	D14/138
D487,444 S	*	3/2004	Yoon	D14/138
D491,907 S	*	6/2004	Ogawa	D14/138
D496,016 S	*	9/2004	Hoo	D14/138
D496,019 S	*	9/2004	Okada et al.	D14/138
D496,347 S	*	9/2004	Choi et al.	D14/191
D500,016 S	*	12/2004	Kim	D14/138
D500,994 S	*	1/2005	Lee et al.	D14/138
D501,658 S	*	2/2005	Park et al.	D14/138
D501,839 S	*	2/2005	Lee et al.	D14/138
D502,161 S	*	2/2005	Kim et al.	D14/138
D502,457 S	*	3/2005	Eigenstetter et al.	D14/138

D502,458 S	*	3/2005	Chung et al.	D14/138
D502,459 S	*	3/2005	Lee et al.	D14/138
D504,406 S	*	4/2005	Cho et al.	D14/138
D506,454 S	*	6/2005	Kim et al.	D14/138
D507,554 S	*	7/2005	Kim	D14/138
D507,788 S	*	7/2005	Li et al.	D14/138
D508,475 S	*	8/2005	Wu et al.	D14/138
D508,684 S	*	8/2005	Lee et al.	D14/138
D508,685 S	*	8/2005	Kim et al.	D14/138
D509,494 S	*	9/2005	Cho et al.	D14/138
2004/0097258 A1	*	5/2004	Lee et al.	455/550.1
2004/0110540 A1	*	6/2004	Sato et al.	455/566
2004/0132513 A1	*	7/2004	Taneda et al.	455/575.3
2004/0142734 A1	*	7/2004	Kim	455/575.1
2004/0198458 A1	*	10/2004	Kawamura	455/566

FOREIGN PATENT DOCUMENTS

JP	1188710	*	10/2003
WO	DM/064560	*	10/2003
WO	DM/066629	*	5/2005
WO	DM/066630	*	5/2005

* cited by examiner

Primary Examiner—Jeffrey Asch

(74) *Attorney, Agent, or Firm*—Leydig, Voit & Mayer, Ltd.

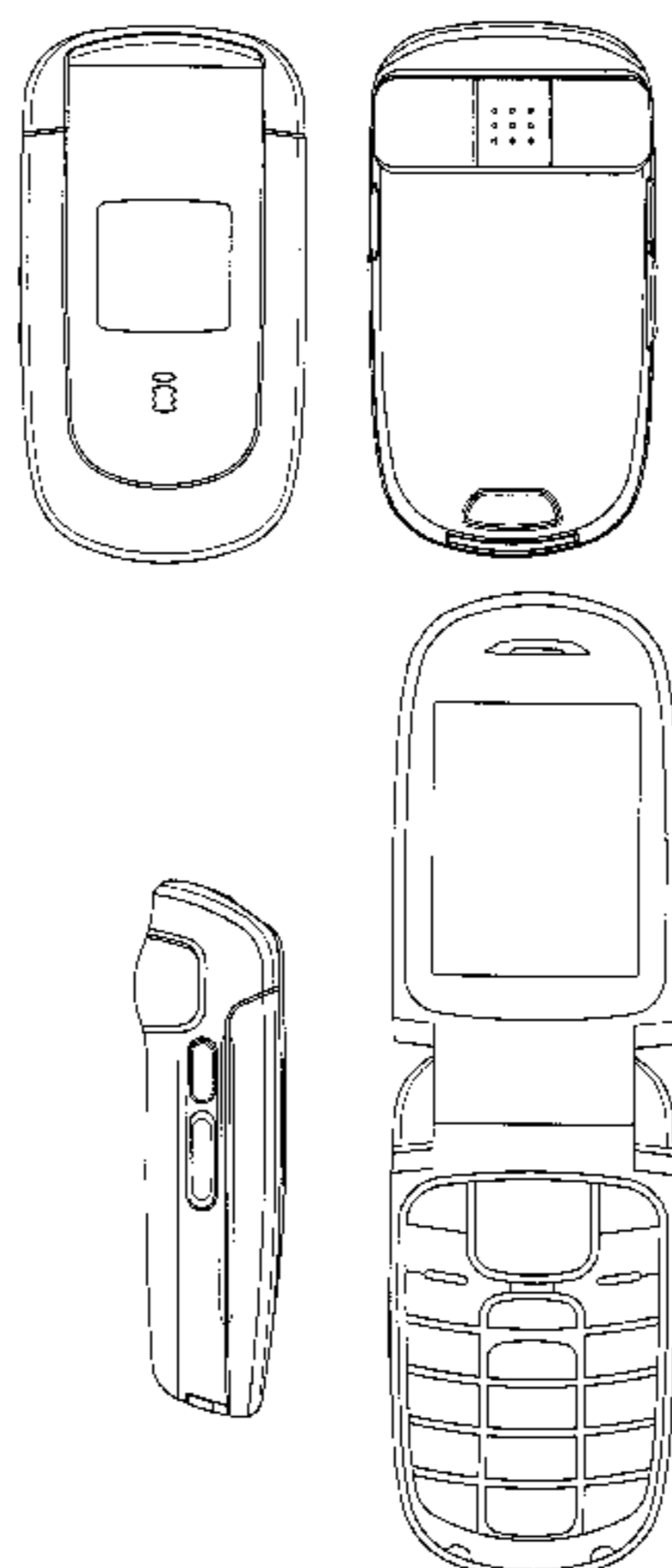
(57) **CLAIM**

We claim the ornamental design for a portable telephone, as shown and described.

DESCRIPTION

FIG. 1 is a perspective view of a portable telephone, when closed, according to our new design;
FIG. 2 is a front view thereof, when closed;
FIG. 3 is a rear view thereof, when closed;
FIG. 4 is a left side view thereof, when closed;
FIG. 5 is a right side view thereof, when closed;
FIG. 6 is a top view thereof, when closed;
FIG. 7 is a bottom view thereof, when closed;
FIG. 8 is a front view thereof, when open; and,
FIG. 9 is a front view thereof, when closed, with a recessable camera in an extended position.

1 Claim, 6 Drawing Sheets



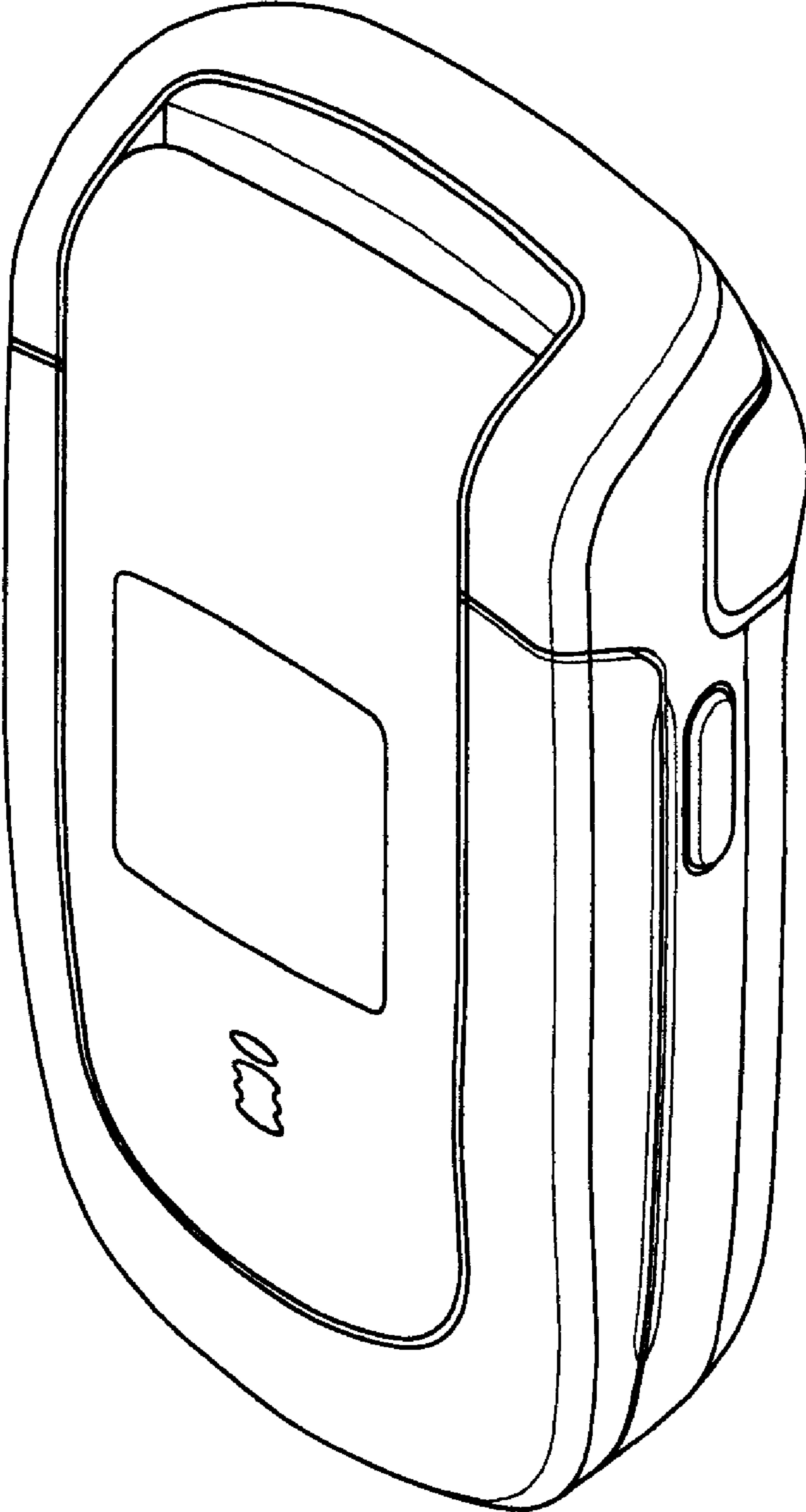


Fig. 1

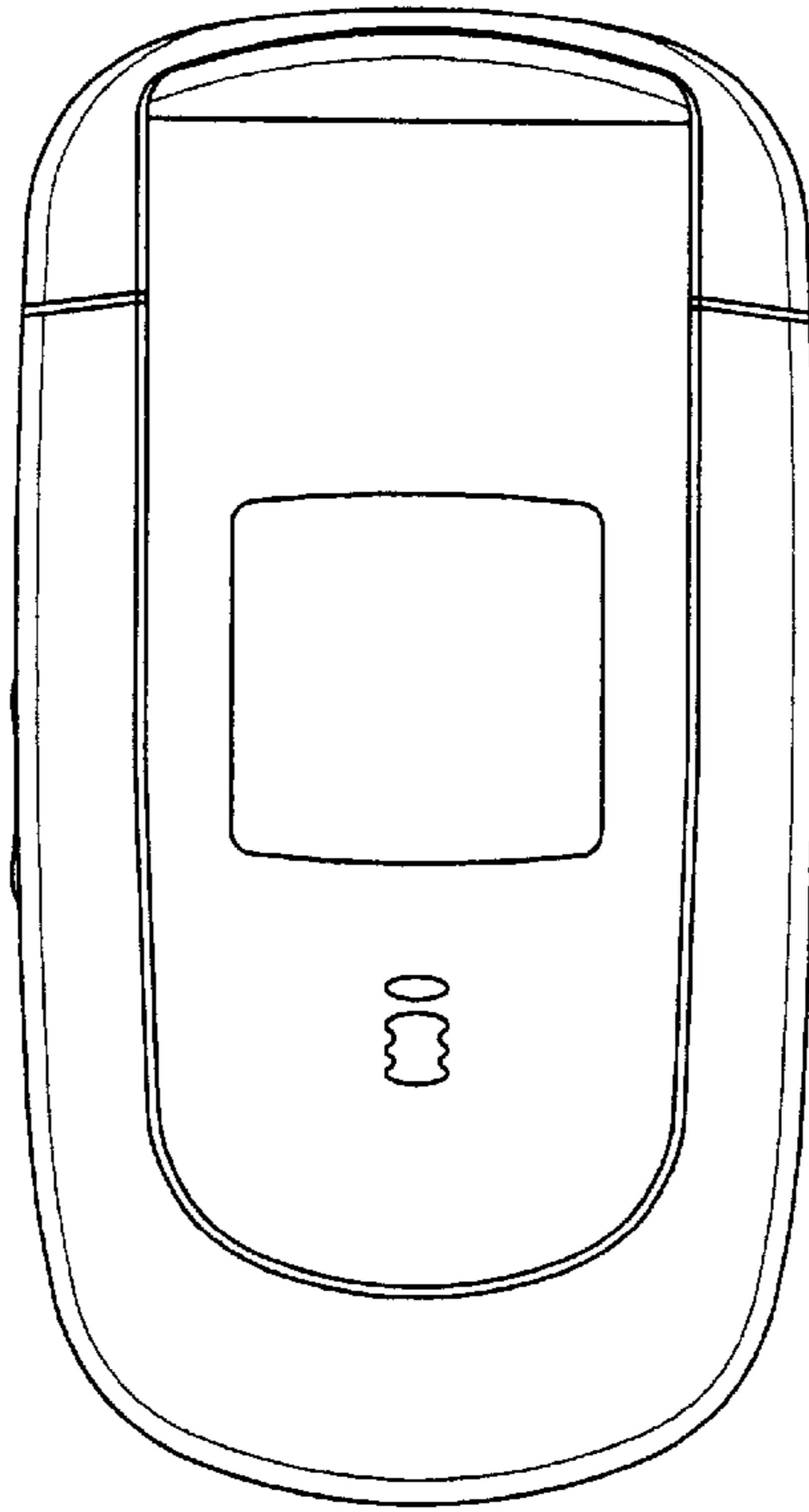


Fig. 2

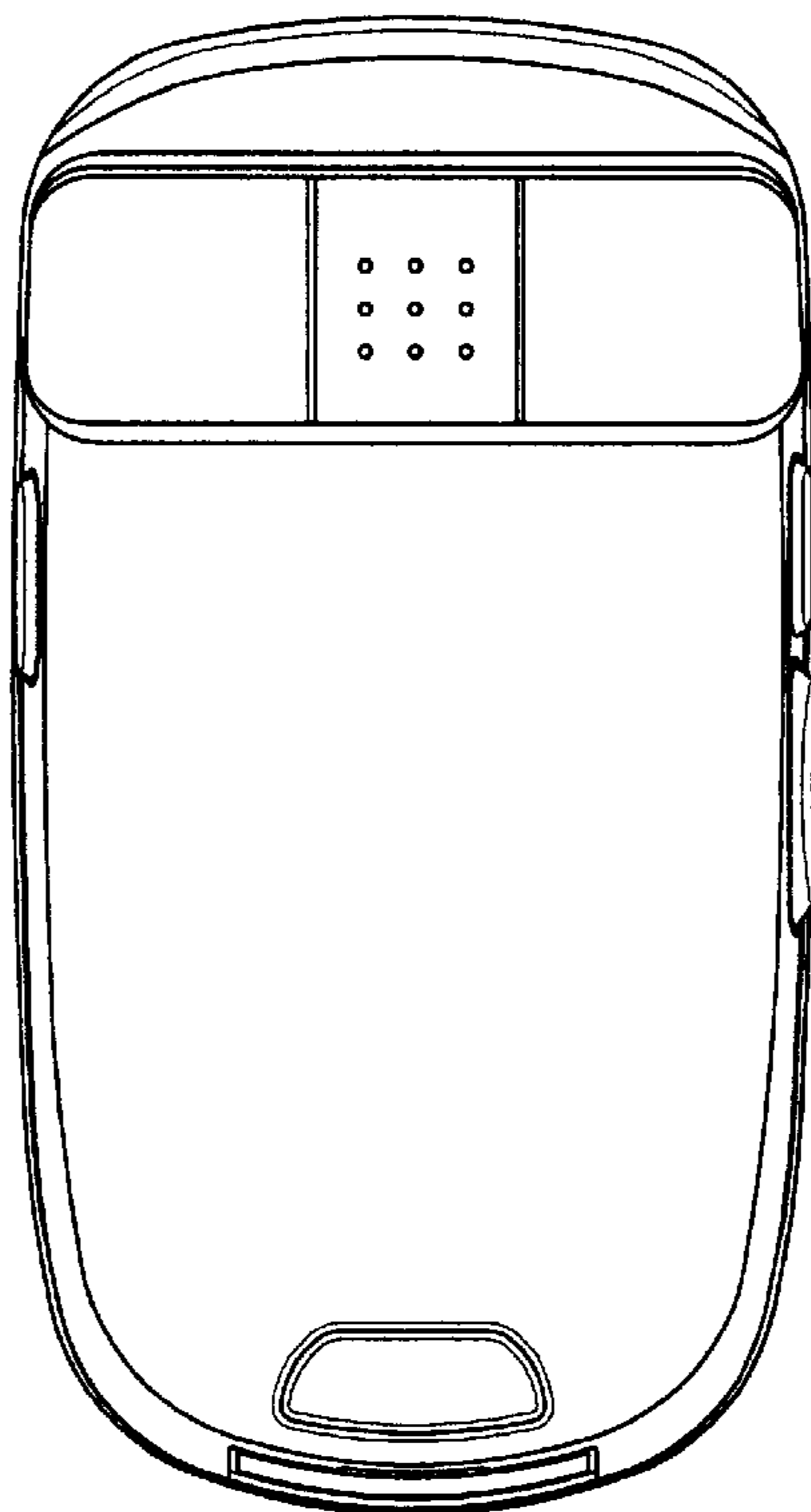


Fig. 3

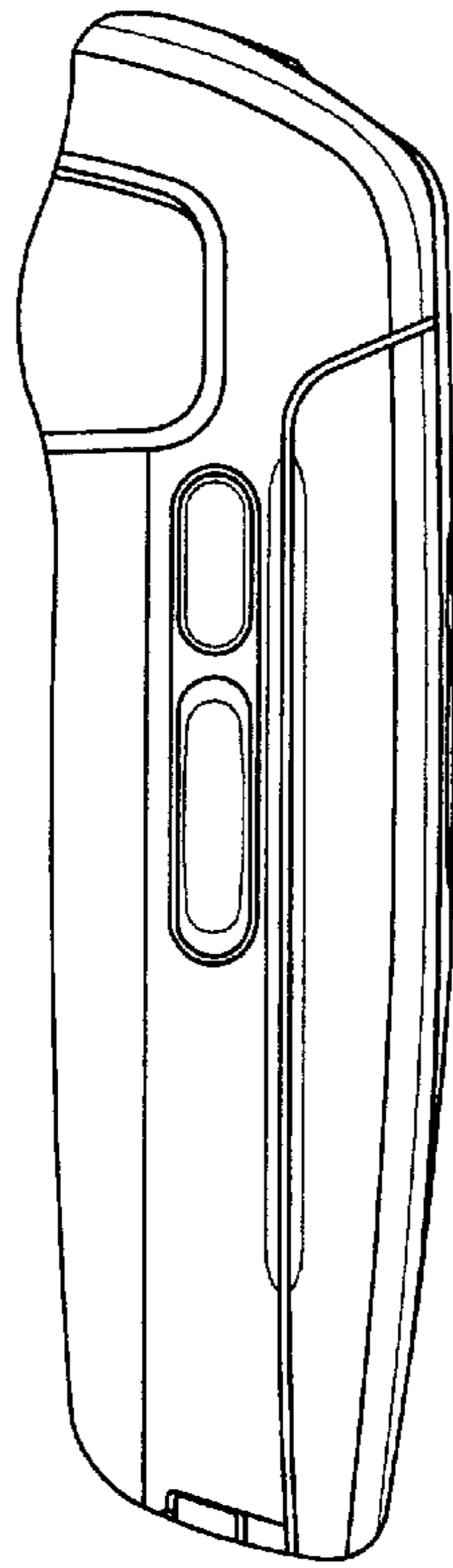


Fig. 4

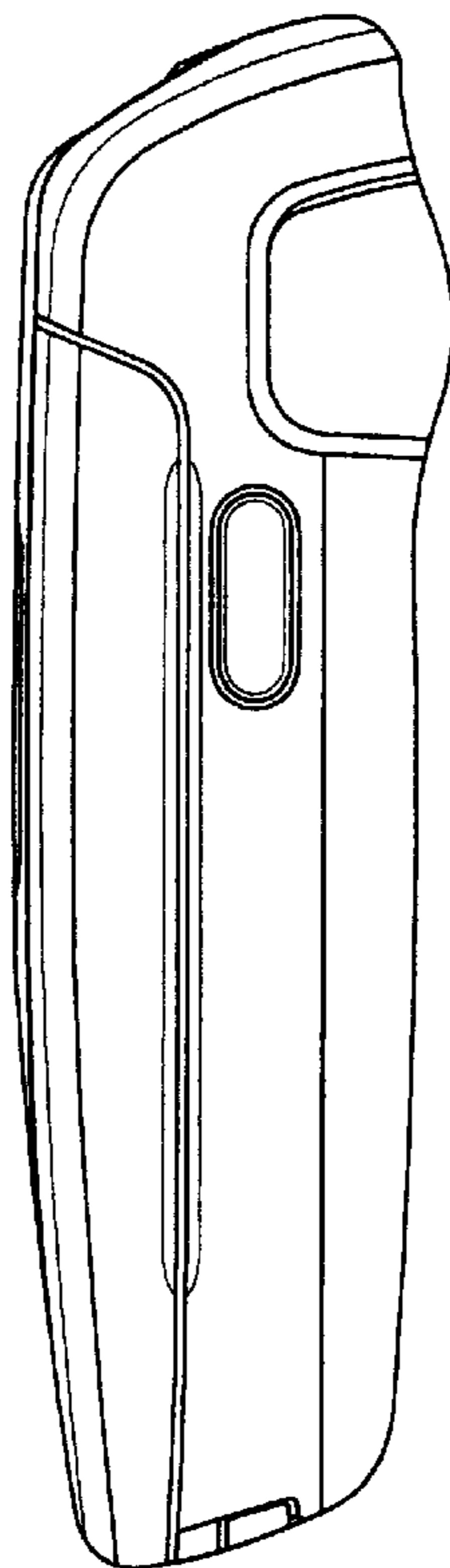


Fig. 5

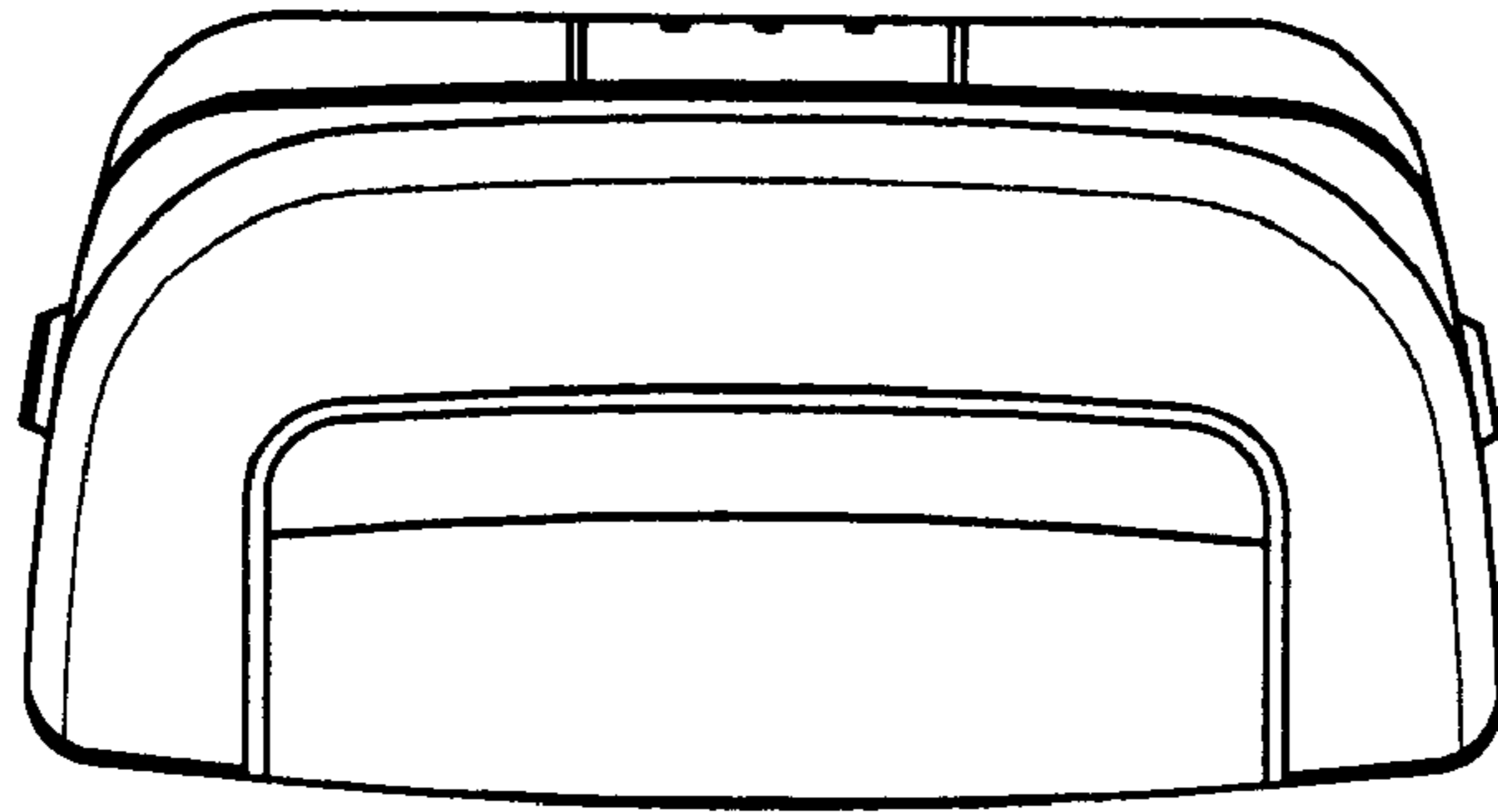


Fig. 6

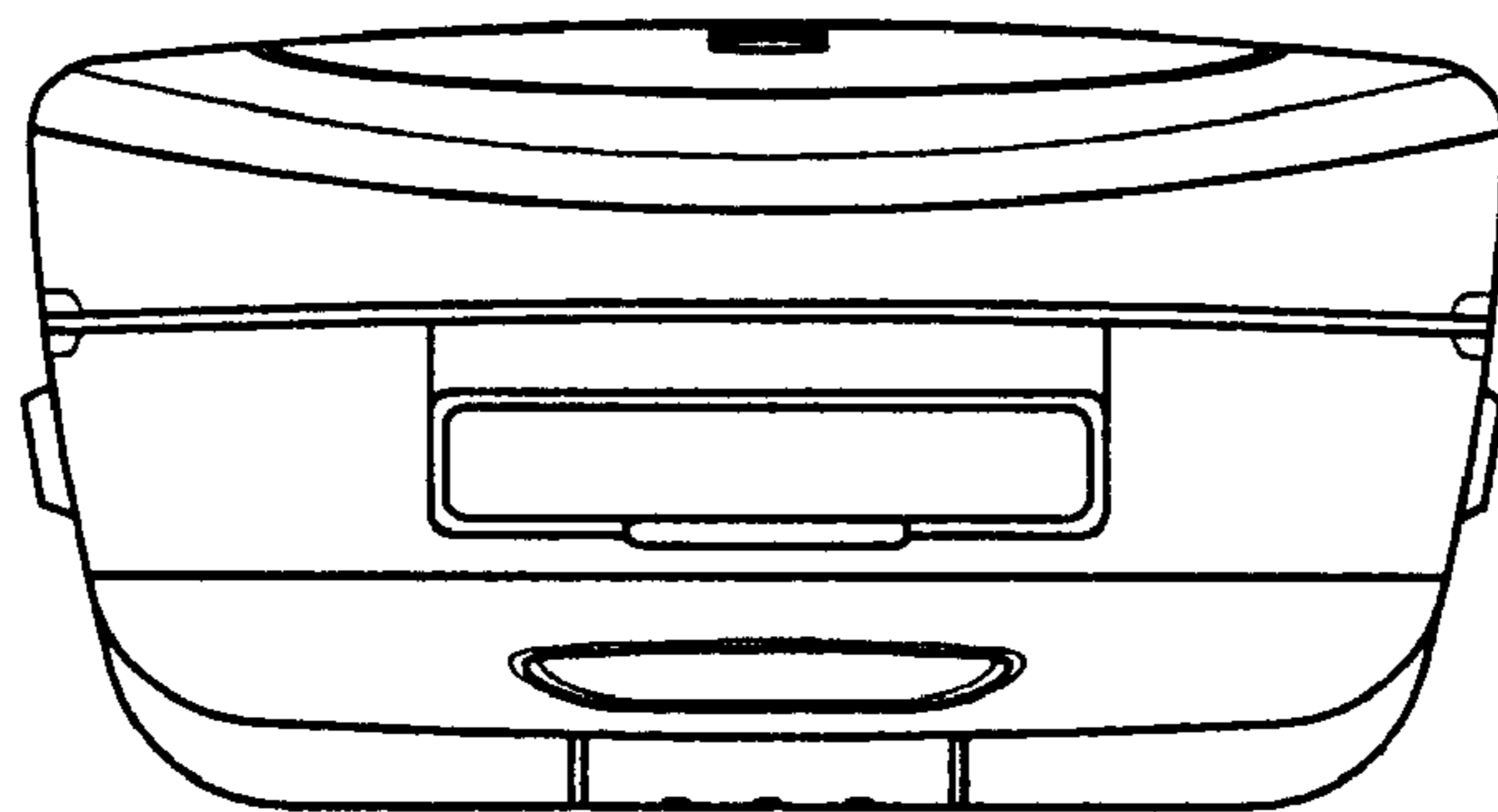
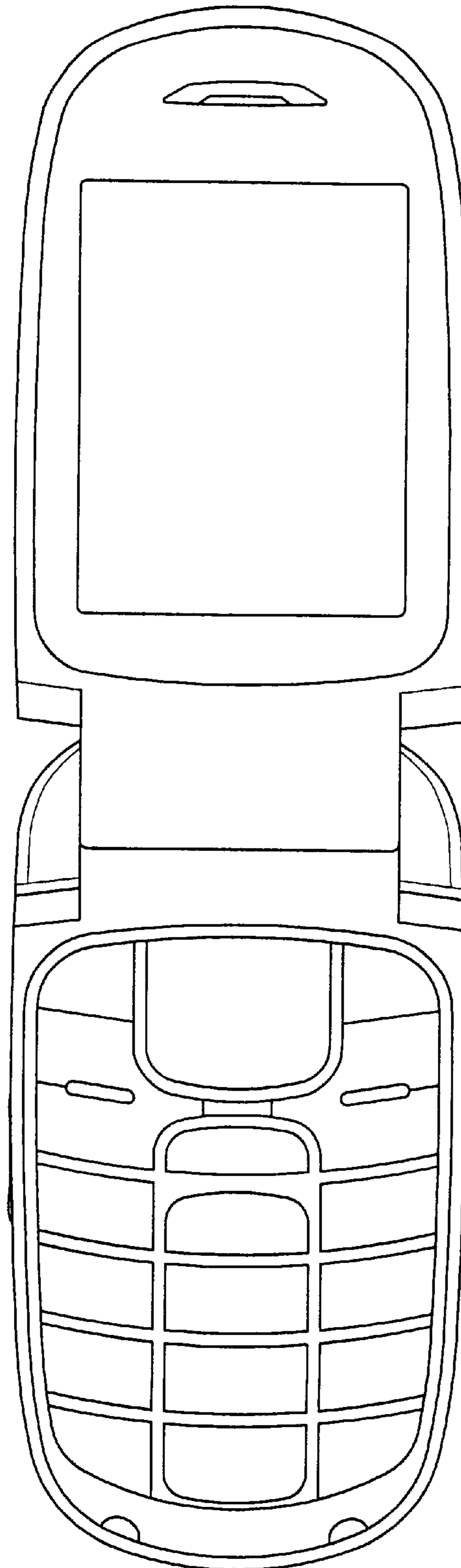


Fig. 7

Fig. 8



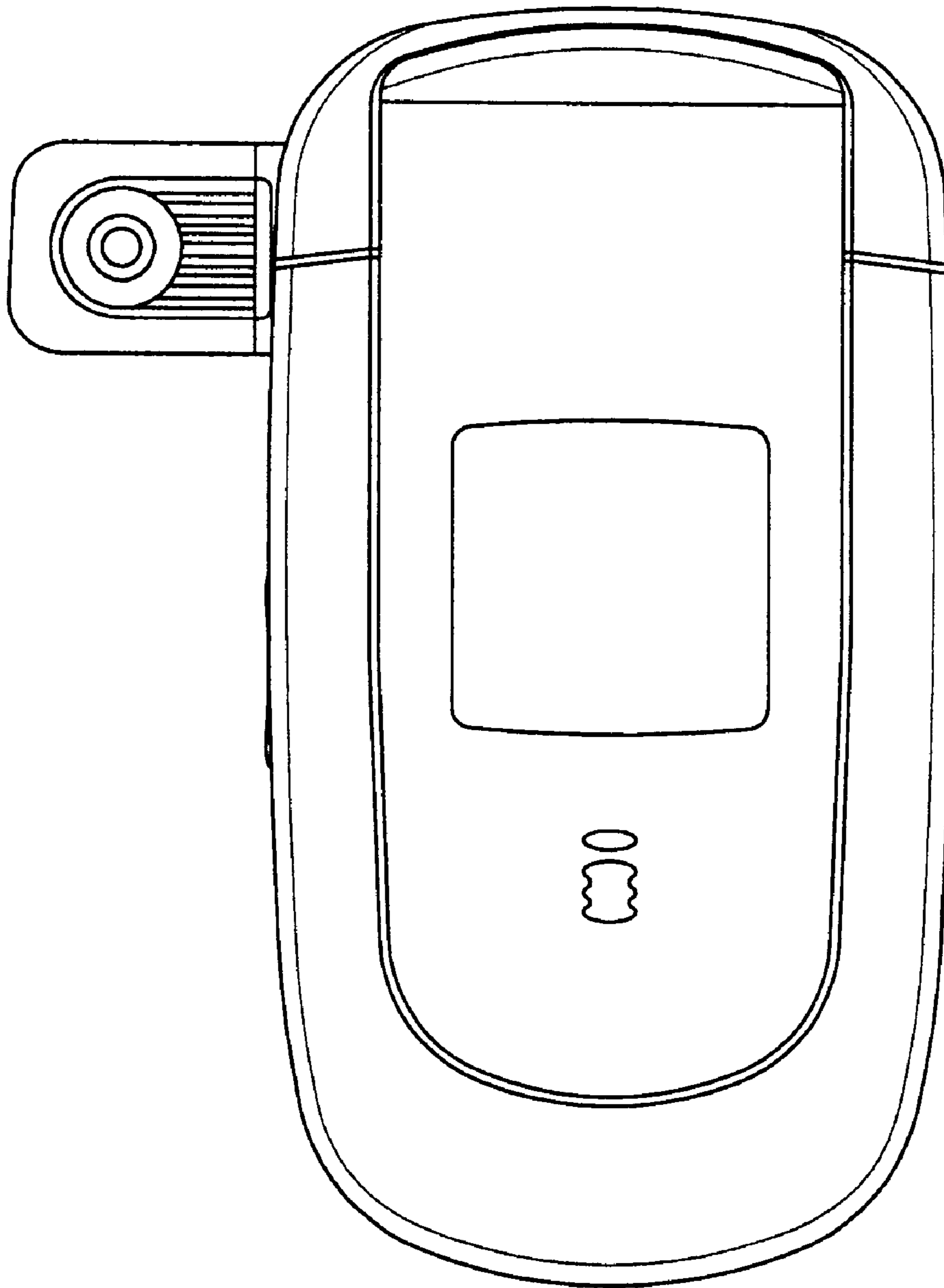


Fig. 9