



US00D521476S

(12) **United States Design Patent**
Hisatsune

(10) **Patent No.:** **US D521,476 S**

(45) **Date of Patent:** **** May 23, 2006**

(54) **DISC PLAYER**

6,639,577 B1 * 10/2003 Eberhard 345/102
D492,323 S * 6/2004 Wang D14/496

(75) Inventor: **Toshiyuki Hisatsune**, Tokyo (JP)

OTHER PUBLICATIONS

(73) Assignee: **Sony Corporation**, Tokyo (JP)

Web page "SpeakerCraft/Sound Source" http://www.speakercraft.com/our_products/ss/index.html, 1 sheet, SpeakerCraft (Nov. 2004).

(**) Term: **14 Years**

* cited by examiner

(21) Appl. No.: **29/221,225**

(22) Filed: **Jan. 14, 2005**

Primary Examiner—Nanda Bondade

(51) **LOC (8) Cl.** **14-01**

(74) *Attorney, Agent, or Firm*—Rader, Fishman & Grauer PLLC

(52) **U.S. Cl.** **D14/136**

(58) **Field of Classification Search** D14/135–136,
D14/156–157, 160–165, 167–168, 192–198,
D14/188, 217, 257, 258, 445; 360/99.02,
360/99.07; 369/75.11, 75.21, 77.21, 77.11;
720/612, 619, 647, 655; 455/344, 347–351

(57) **CLAIM**

See application file for complete search history.

The ornamental design for a disc player, as shown and described.

DESCRIPTION

(56) **References Cited**

FIG. 1 is a perspective view of a disc player showing my new design;

U.S. PATENT DOCUMENTS

FIG. 2 is a front elevational view thereof;

- D402,979 S * 12/1998 Ogasawara D14/136
- 5,941,615 A * 8/1999 Ito et al. 312/7.2
- D421,007 S * 2/2000 Nagai D14/156
- D445,773 S * 7/2001 Fenner D14/156
- D452,237 S * 12/2001 Lewis D14/258
- D452,488 S * 12/2001 Ogasawara D14/136
- D466,891 S * 12/2002 Gustavsson et al. D14/257
- D478,128 S * 8/2003 Hussaini et al. D14/496
- D480,062 S * 9/2003 Kulkarni D14/168
- D481,397 S * 10/2003 Ashida et al. D14/496

FIG. 3 is a rear elevational view thereof;

FIG. 4 is a left side elevational view thereof;

FIG. 5 is a right side elevational view thereof;

FIG. 6 is a top plan view thereof; and,

FIG. 7 is a bottom plan view thereof.

Portions of FIGS. 1 and 3–7 that are shown as broken lines are for illustrative purpose only and form no part of the claimed design.

1 Claim, 4 Drawing Sheets

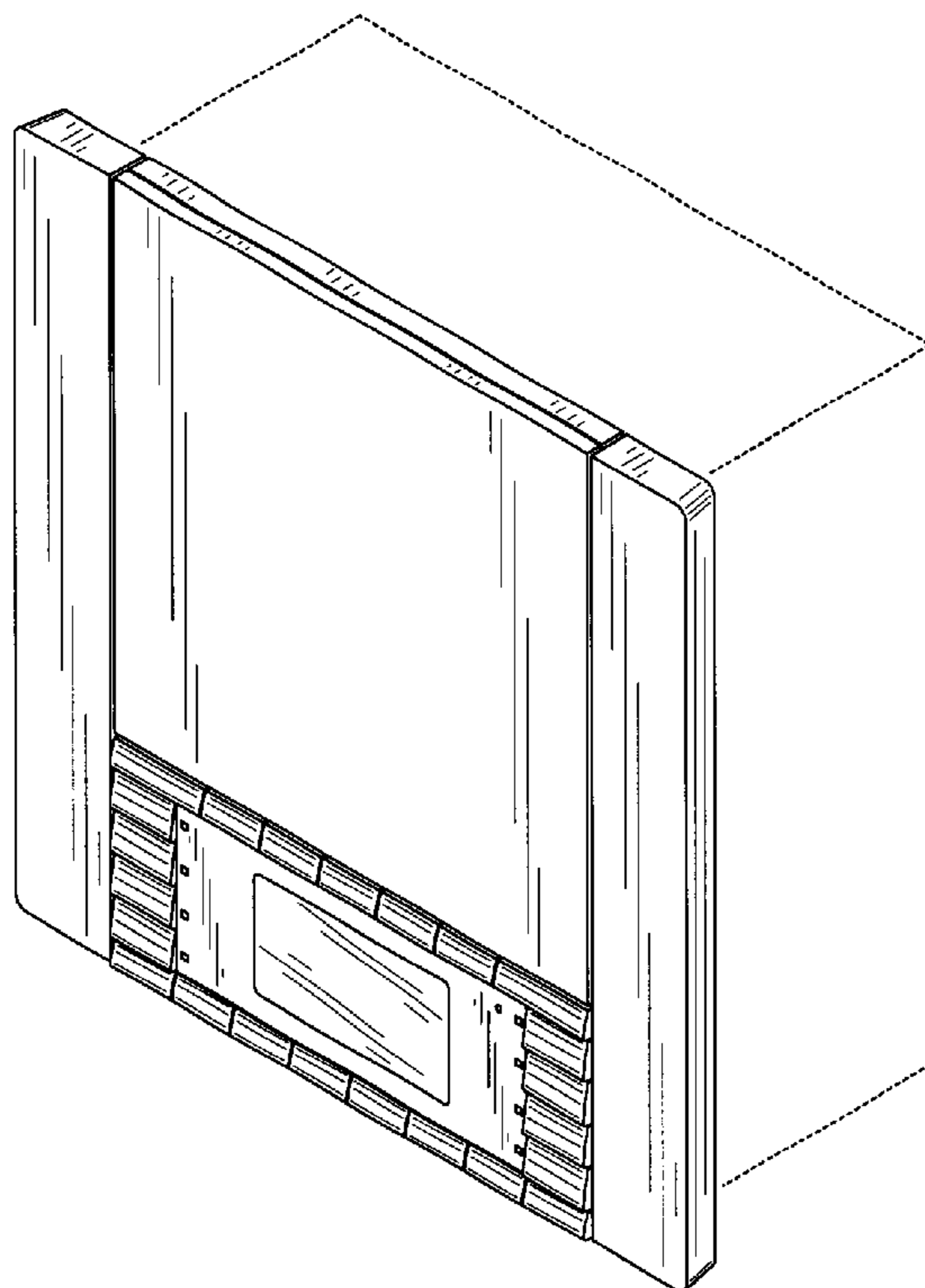


FIG.1

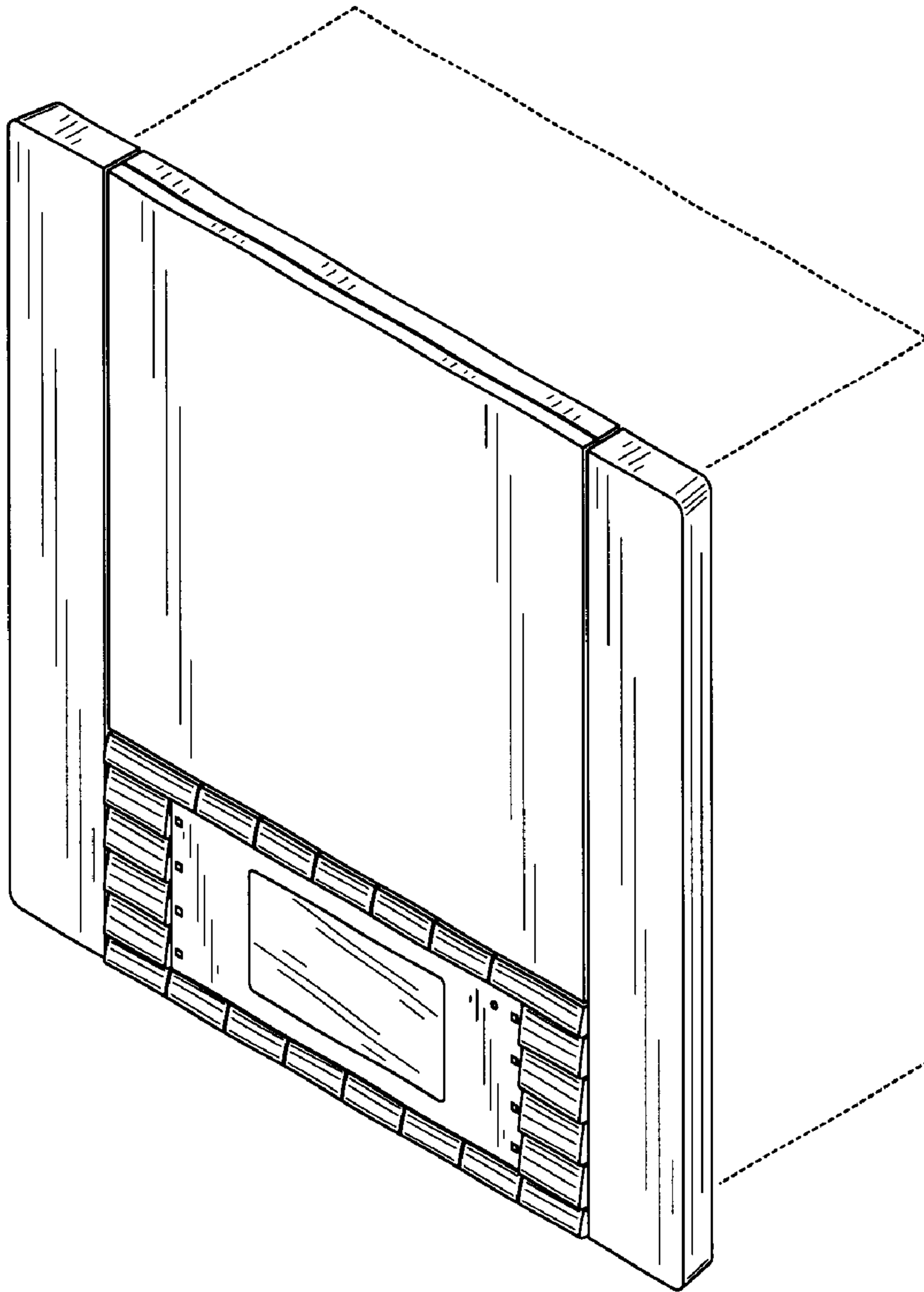


FIG.2

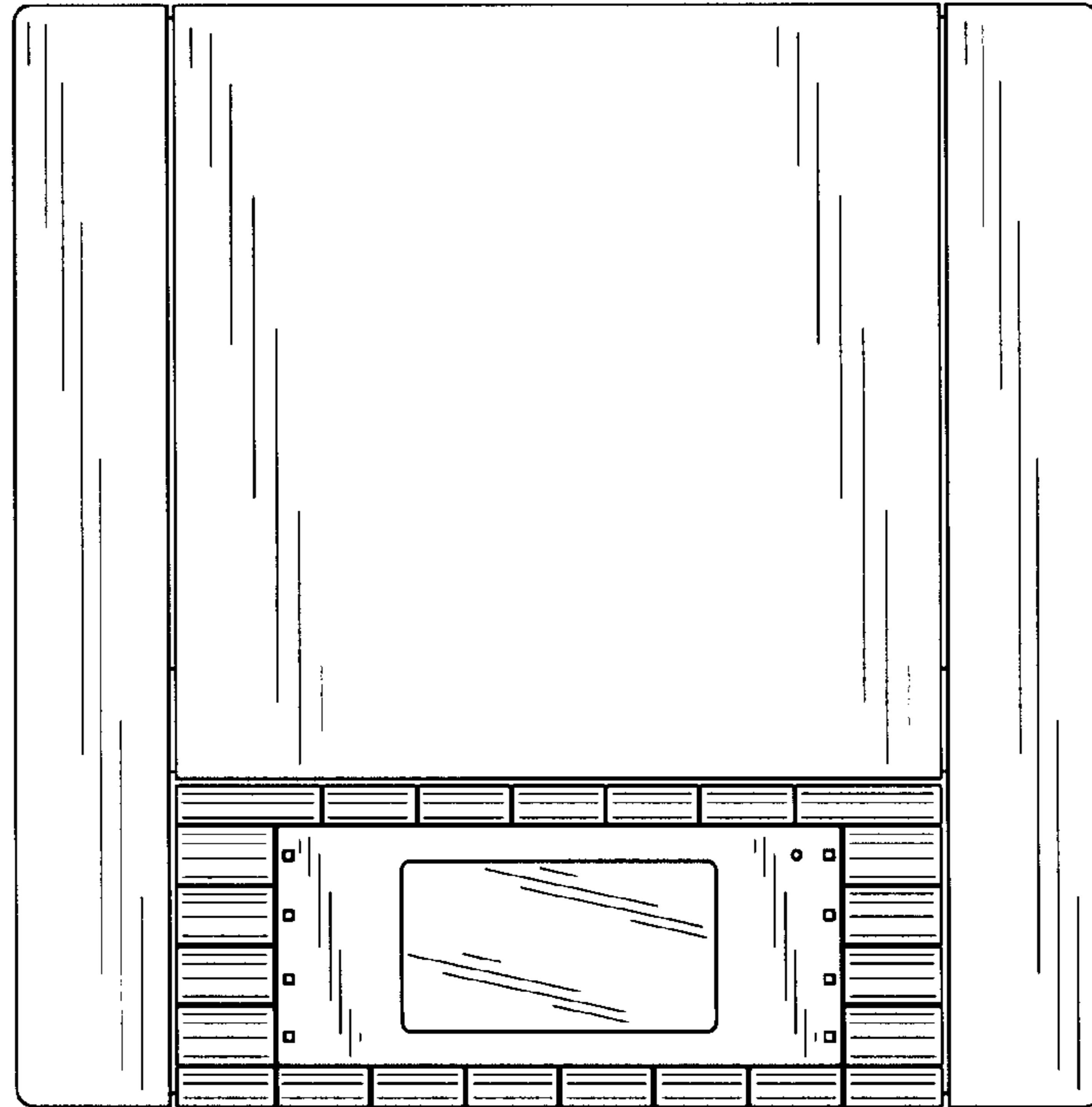


FIG.3

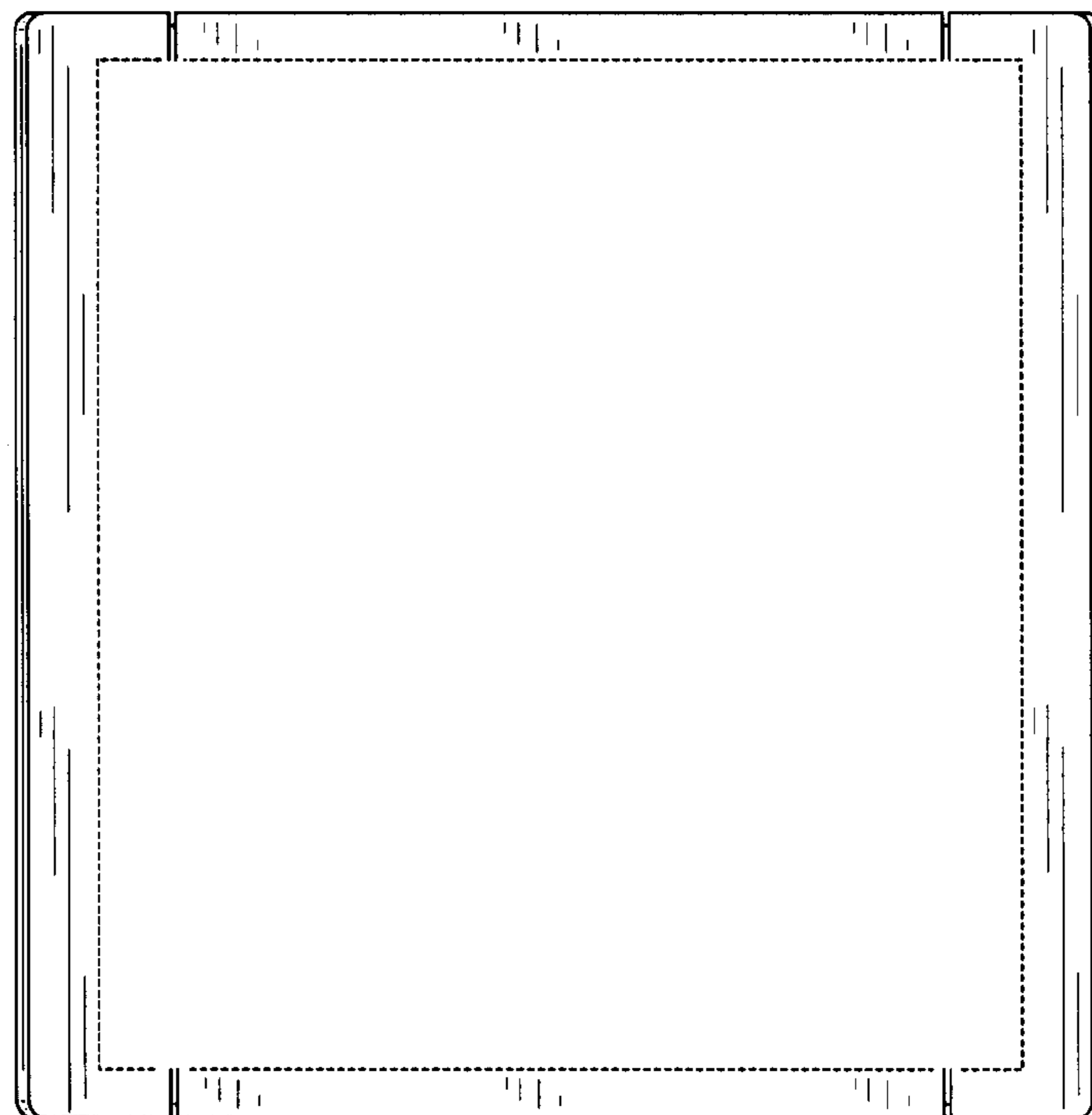


FIG.4

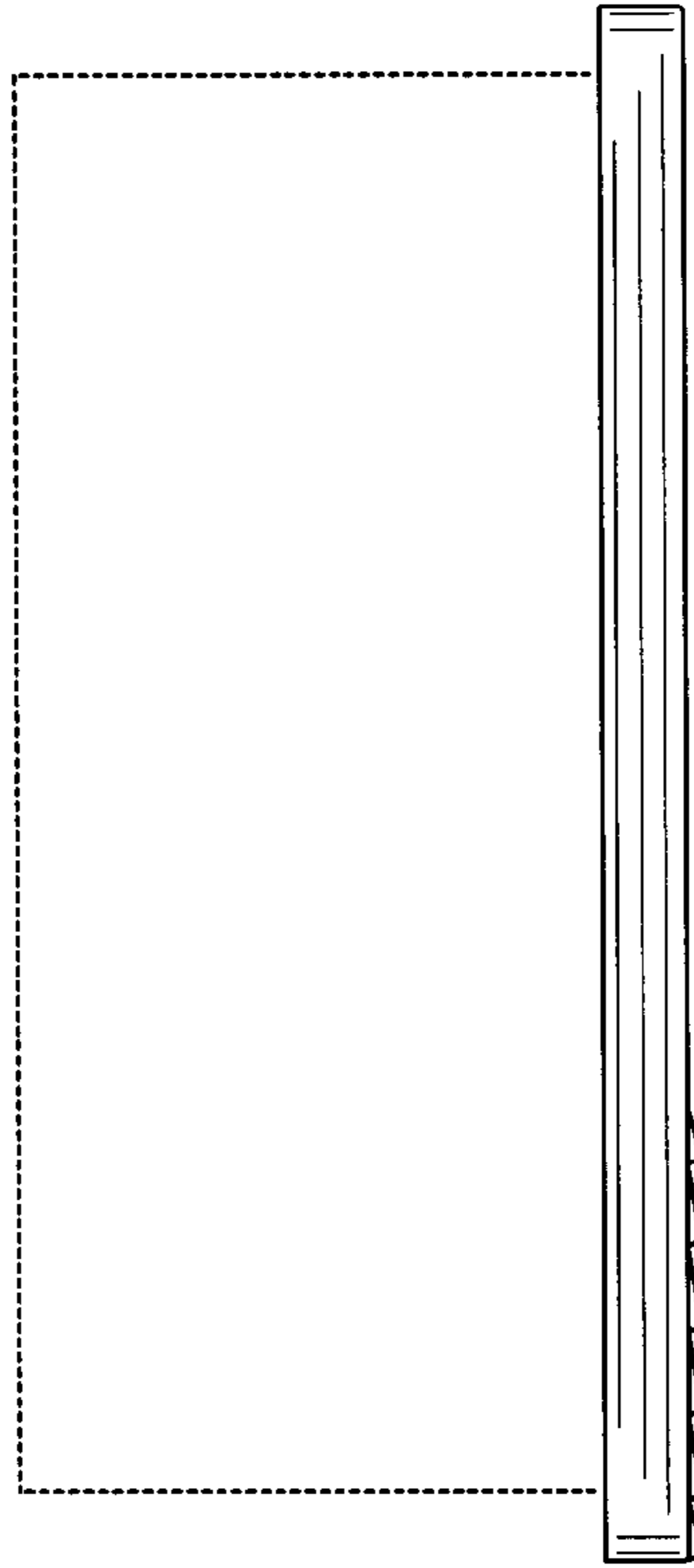


FIG.5

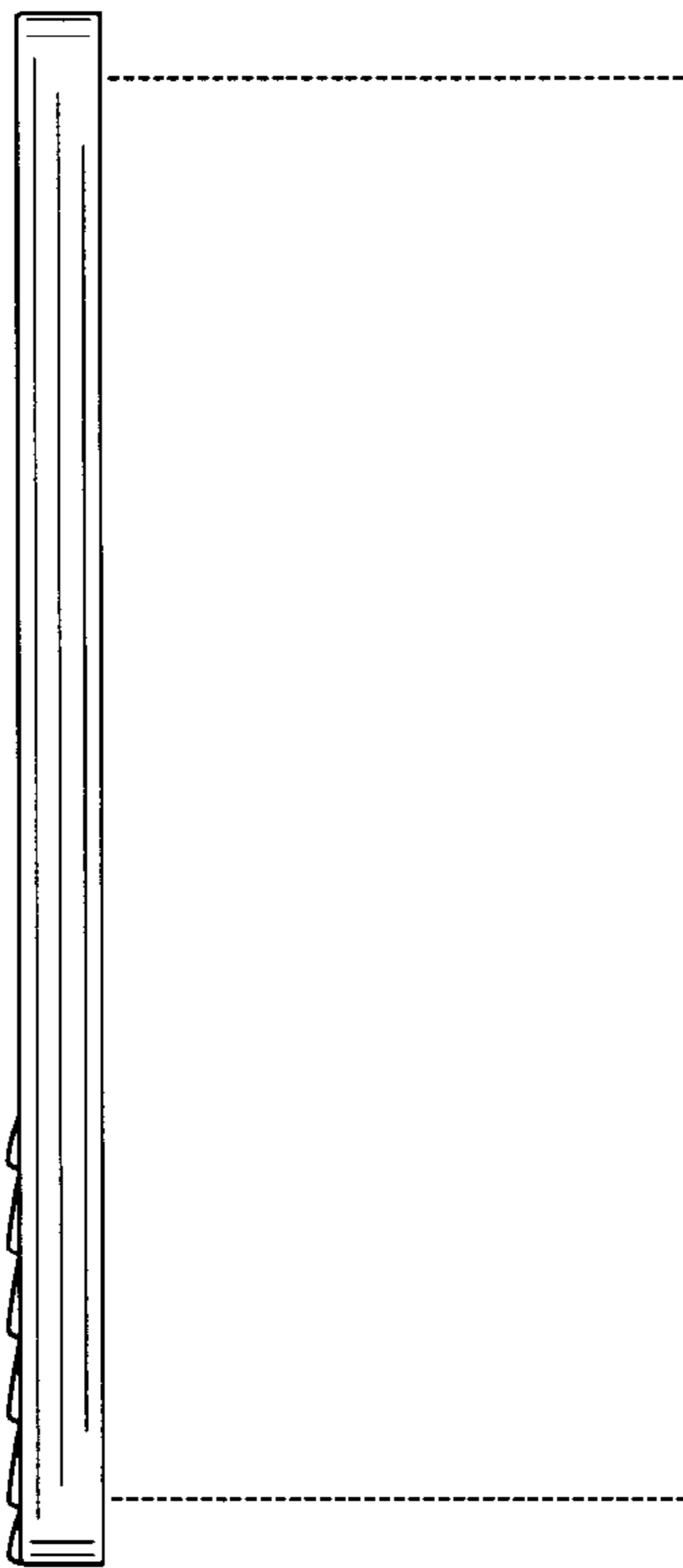


FIG.6

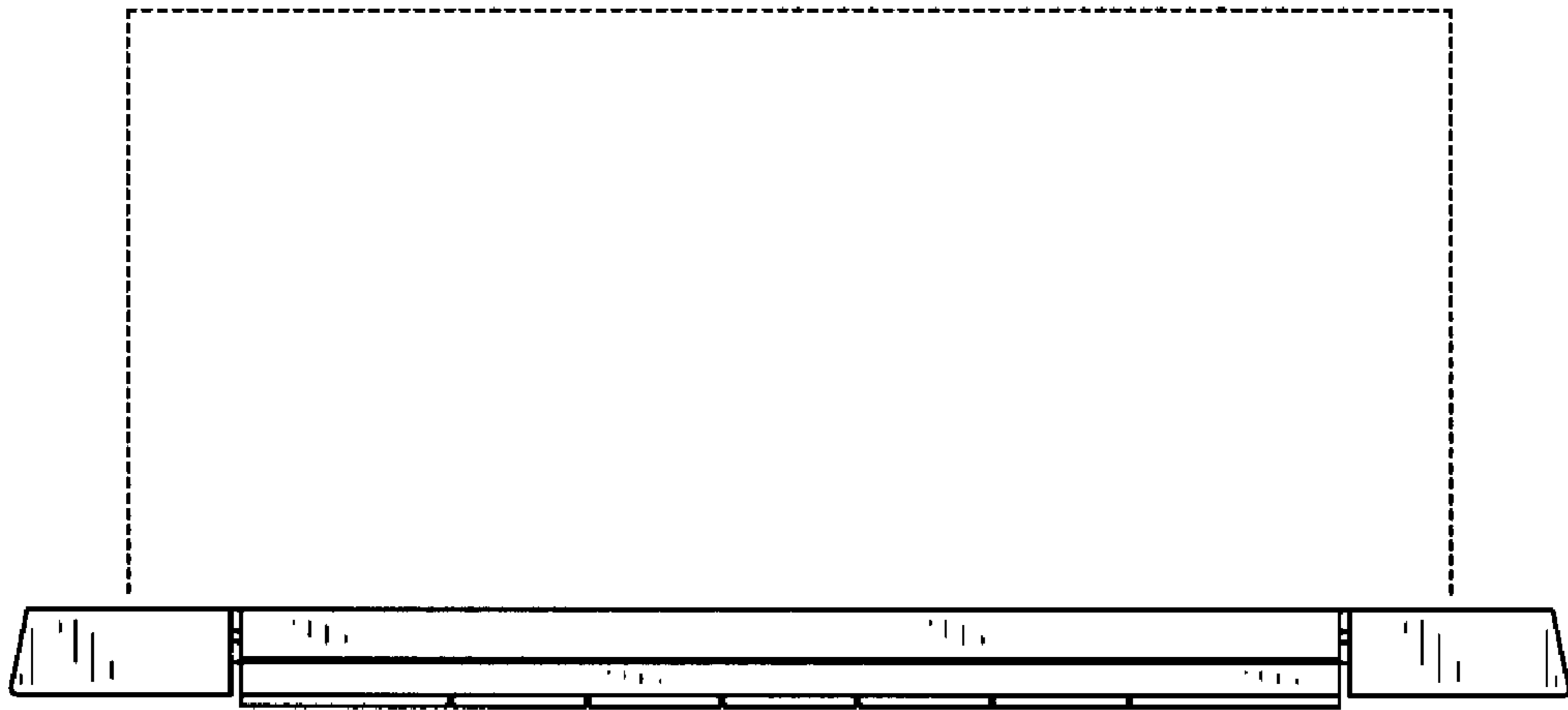


FIG.7

