



US00D521471S

(12) **United States Design Patent**  
**Hoehn et al.**

(10) **Patent No.:** **US D521,471 S**  
(45) **Date of Patent:** **\*\* May 23, 2006**

(54) **TELEVISION SET**

(75) Inventors: **Holger Hoehn**, Taipei (TW); **Reinier Bloem**, Taipei (TW)

(73) Assignee: **Hannspree Inc.**, Taipei (TW)

(\*\*) Term: **14 Years**

(21) Appl. No.: **29/229,388**

(22) Filed: **May 6, 2005**

(30) **Foreign Application Priority Data**

Dec. 13, 2004 (TW) ..... 93307632

(51) **LOC (8) Cl.** ..... **14-03**

(52) **U.S. Cl.** ..... **D14/126; D14/129**

(58) **Field of Classification Search** ..... D14/125-134,  
D14/239, 371, 136, 374-377; 312/7.2; 348/836,  
348/838, 180, 184, 325, 739; 341/12; 248/917-924,  
248/465; 345/104, 133, 156, 168, 87, 173;  
720/605, 669, 600, 655; 369/99, 197; 455/344-347  
See application file for complete search history.

(56) **References Cited**

**U.S. PATENT DOCUMENTS**

D323,324 S \* 1/1992 Suda ..... D14/125  
D330,710 S \* 11/1992 Lee ..... D14/126  
D398,659 S \* 9/1998 Yokoi ..... D21/333

D399,268 S \* 10/1998 Liu ..... D21/333  
D406,613 S \* 3/1999 Nakanishi ..... D21/329  
6,020,867 A \* 2/2000 Shimada et al. .... 345/87  
6,227,966 B1 \* 5/2001 Yokoi ..... 446/175  
D444,074 S \* 6/2001 Duke ..... D10/15  
D473,867 S \* 4/2003 Lin ..... D14/371  
D474,468 S \* 5/2003 Zuege et al. .... D21/515  
D475,984 S \* 6/2003 Chen et al. .... D14/126  
D482,031 S \* 11/2003 Lin ..... D14/371  
D493,153 S \* 7/2004 Zhai et al. .... D14/126

\* cited by examiner

*Primary Examiner*—Raphael Barkai

(74) *Attorney, Agent, or Firm*—Thomas, Kayden,  
Horstemeyer & Risley

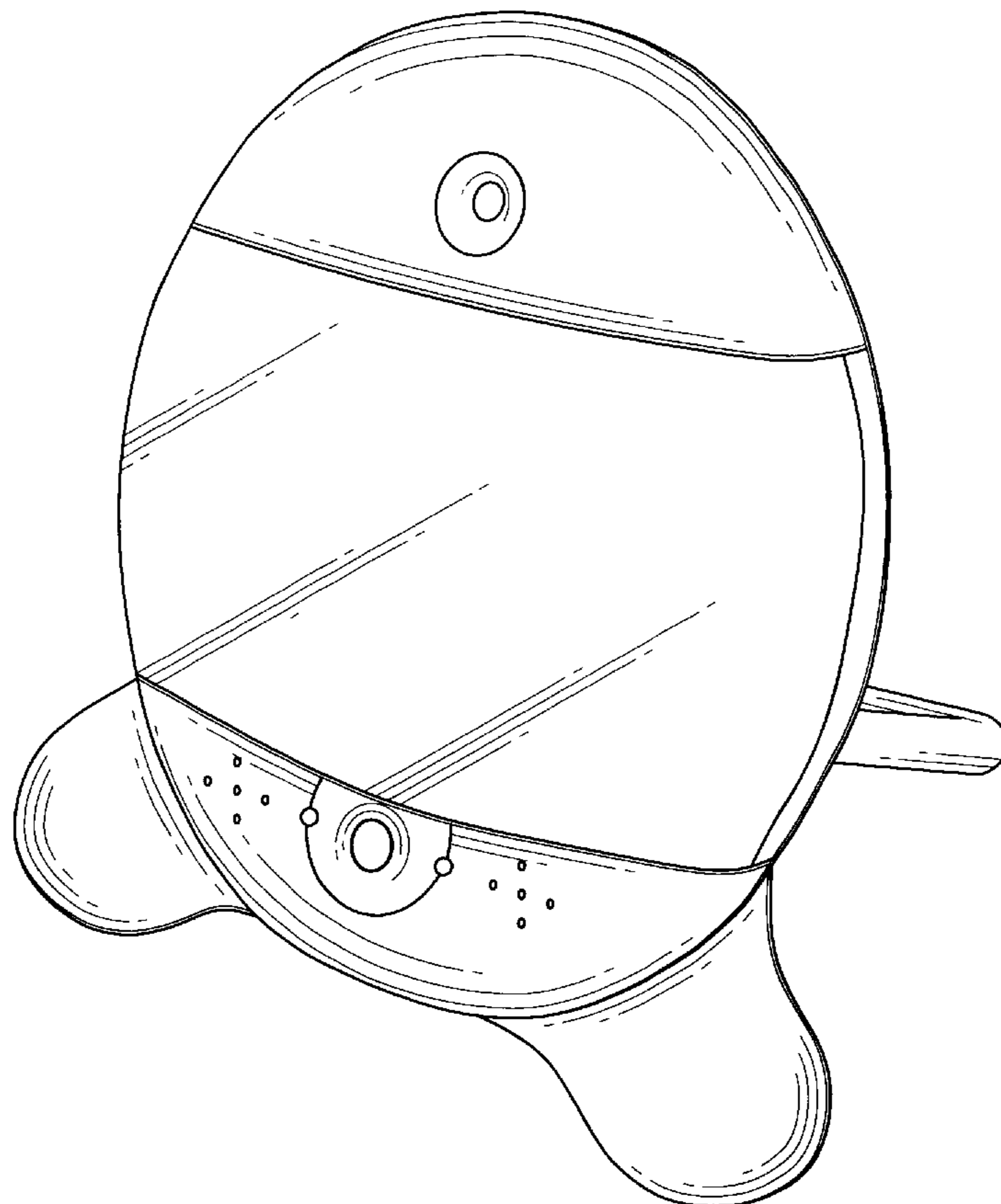
(57) **CLAIM**

The ornamental design for a television set, as shown and described.

**DESCRIPTION**

FIG. 1 is a front perspective view thereof;  
FIG. 2 is a front elevational view thereof;  
FIG. 3 is a rear elevational view thereof;  
FIG. 4 is a left side elevational view thereof;  
FIG. 5 is a right side elevational view thereof;  
FIG. 6 is a top plan view thereof; and,  
FIG. 7 is a bottom plan view thereof.

**1 Claim, 7 Drawing Sheets**



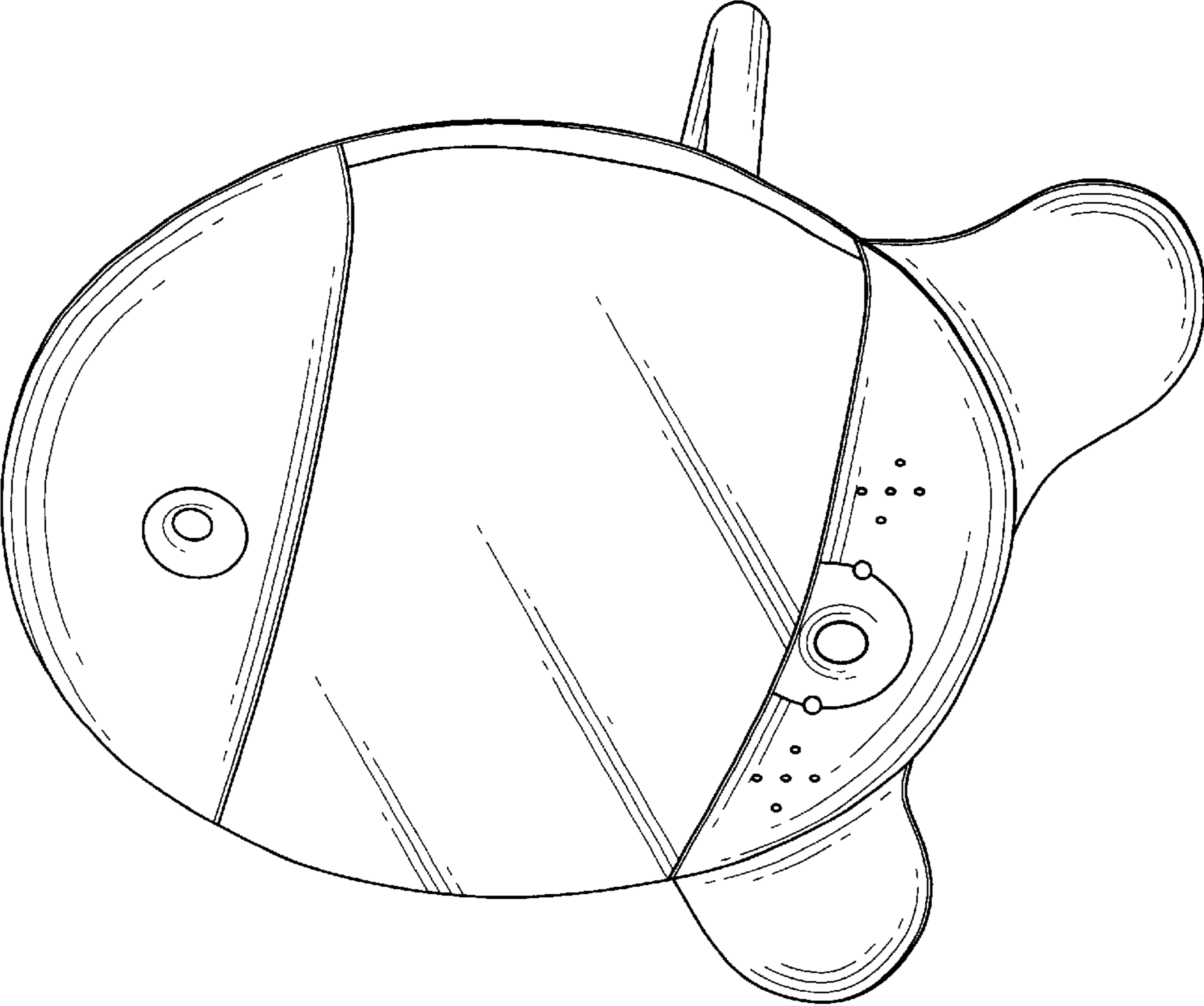


FIG. 1

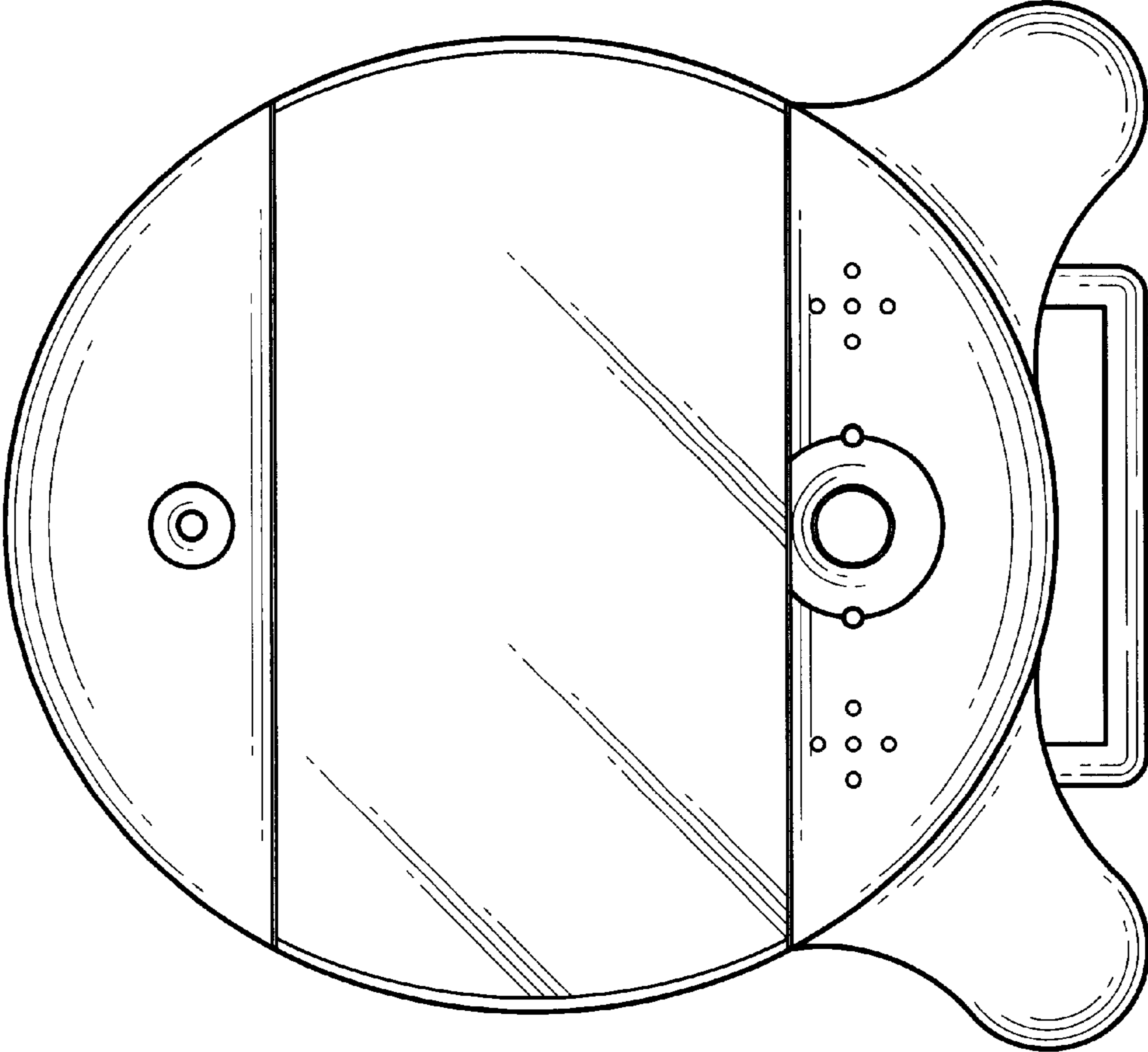


FIG. 2

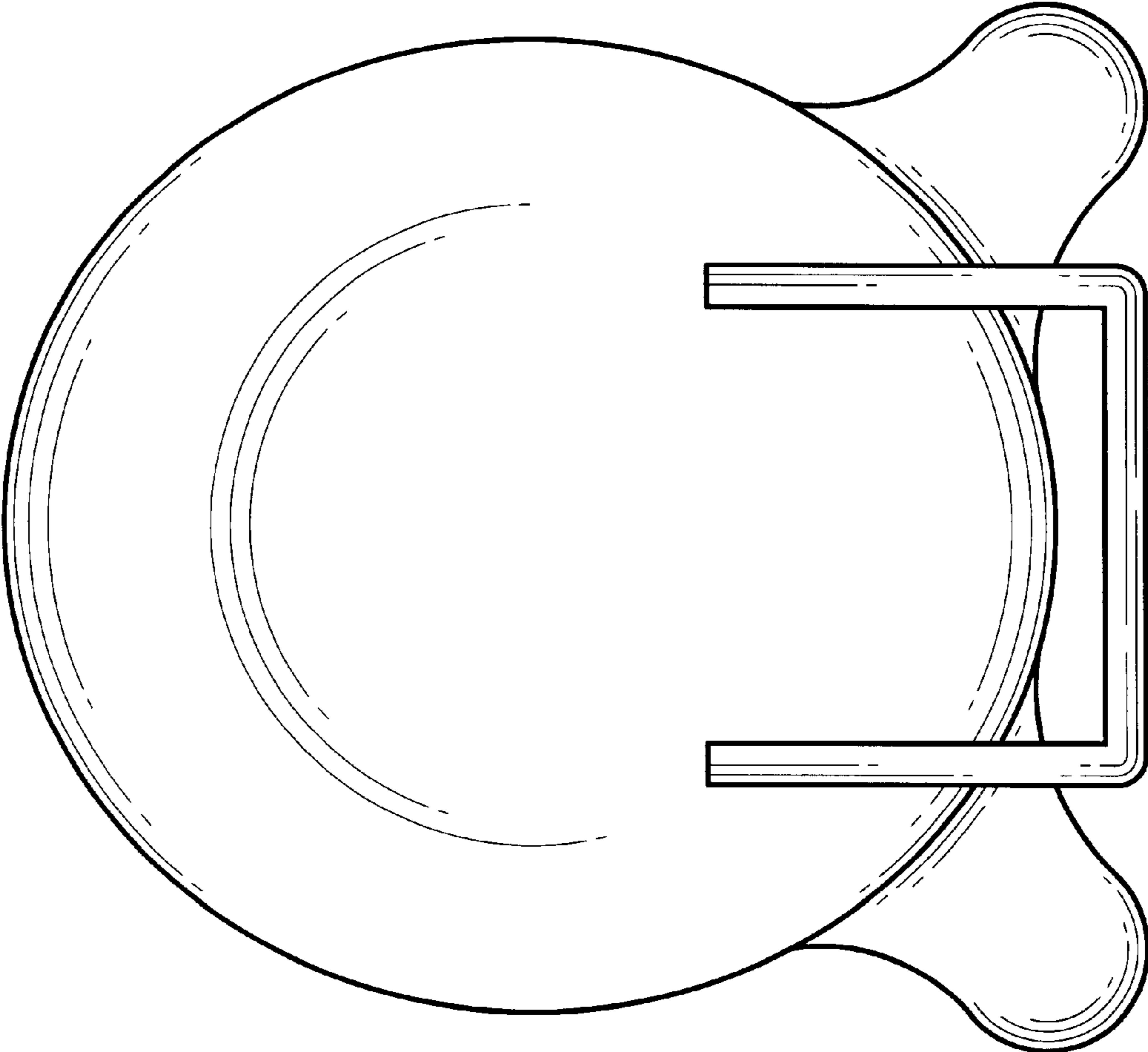


FIG. 3

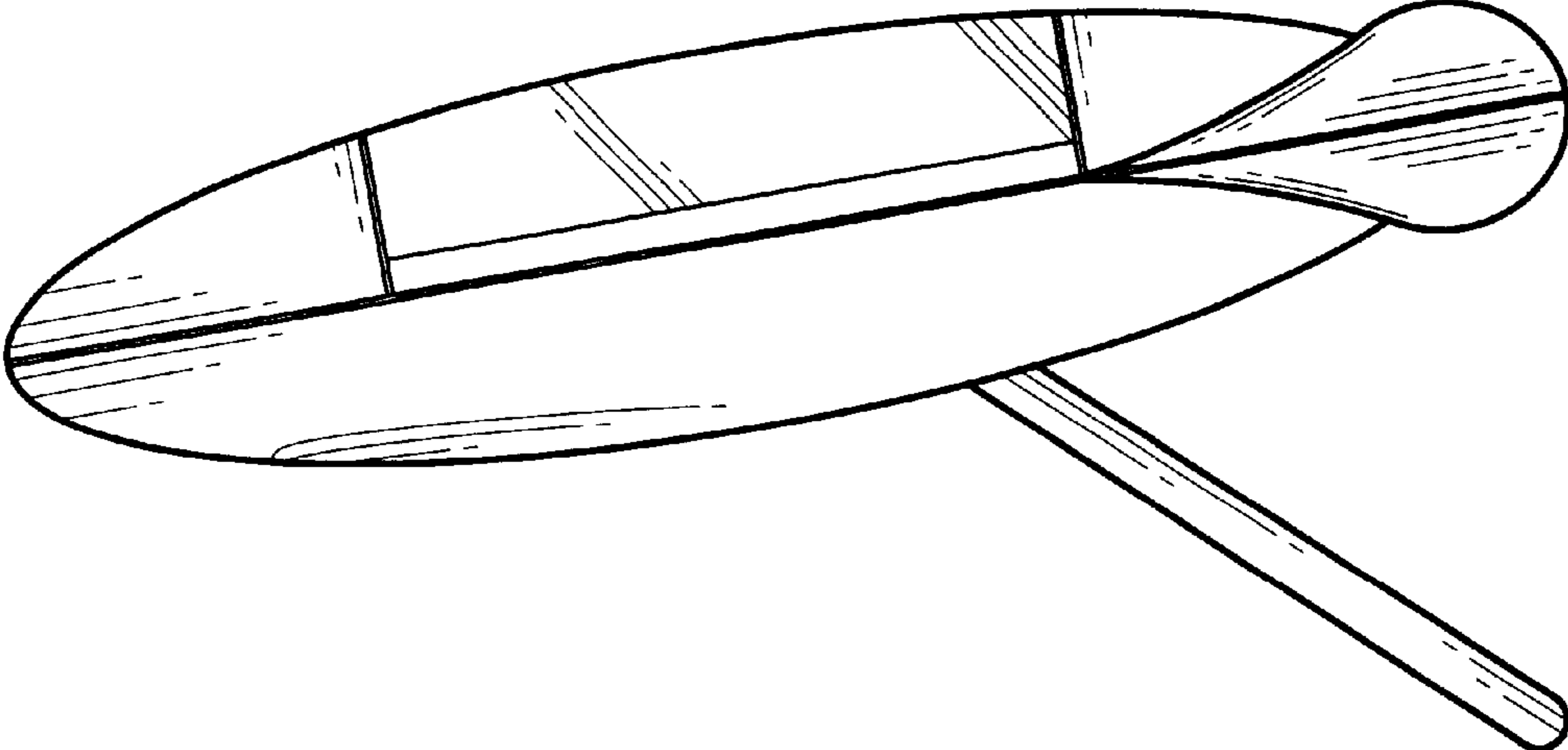


FIG. 4

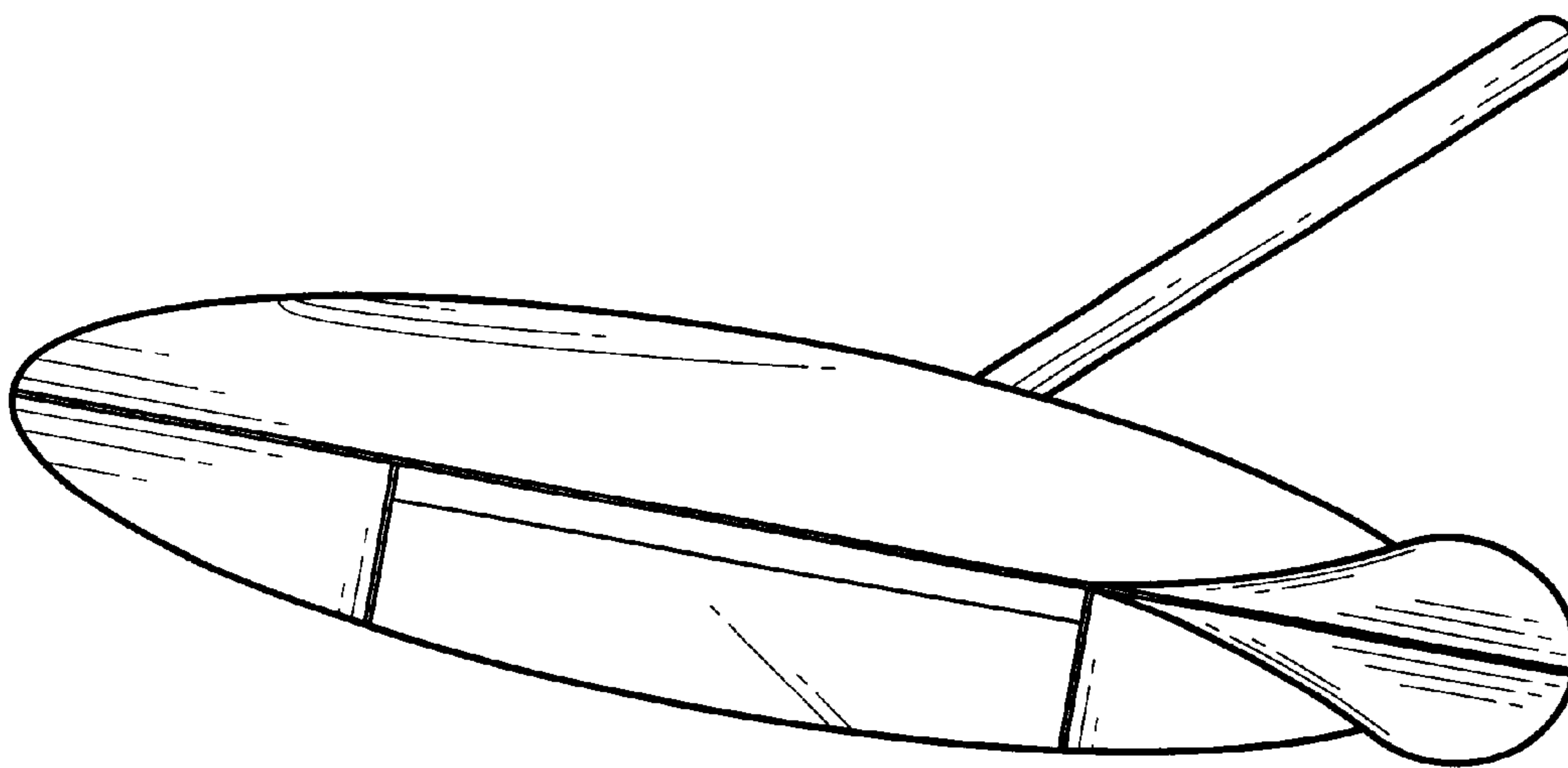


FIG. 5

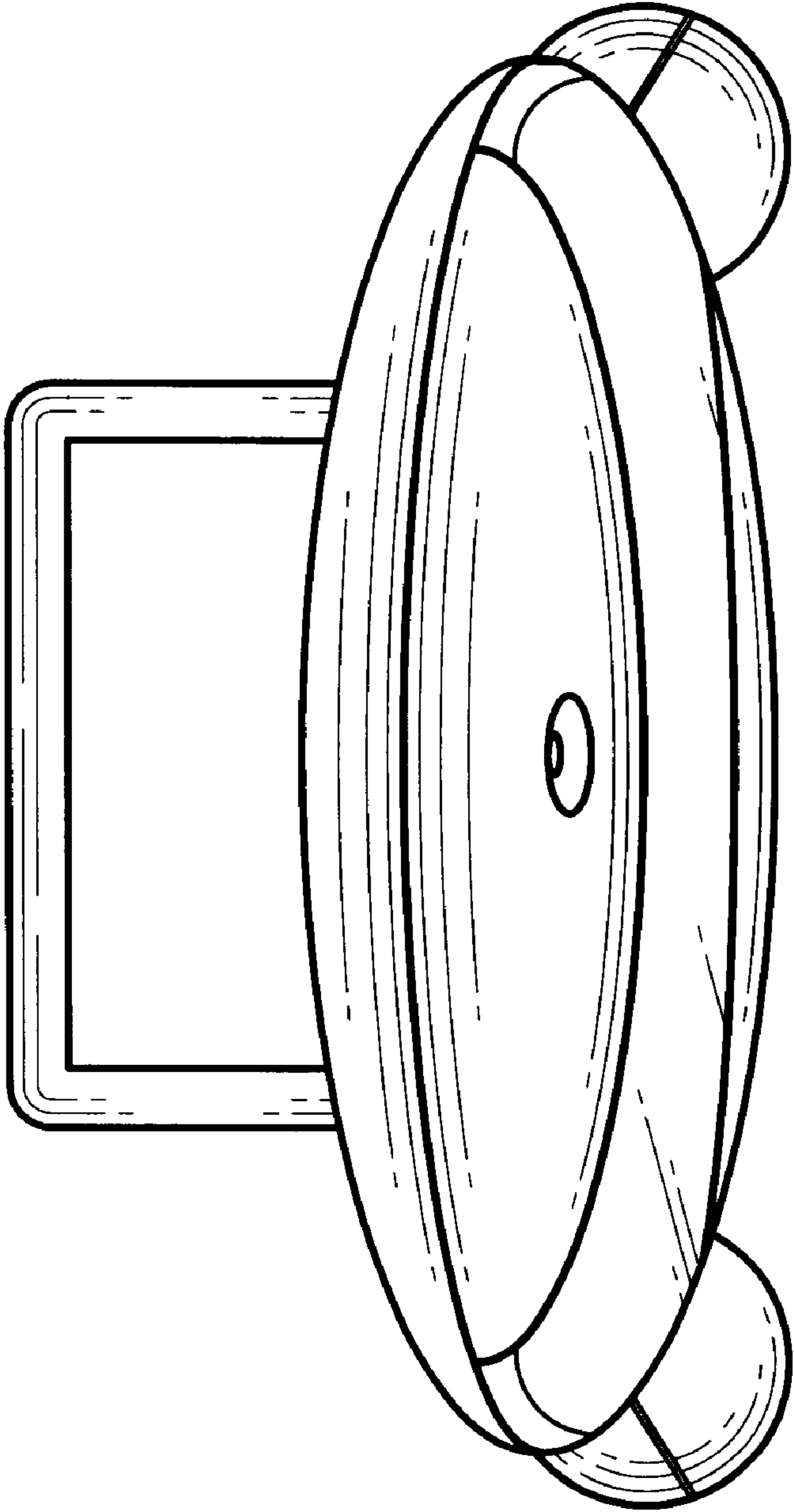


FIG. 6



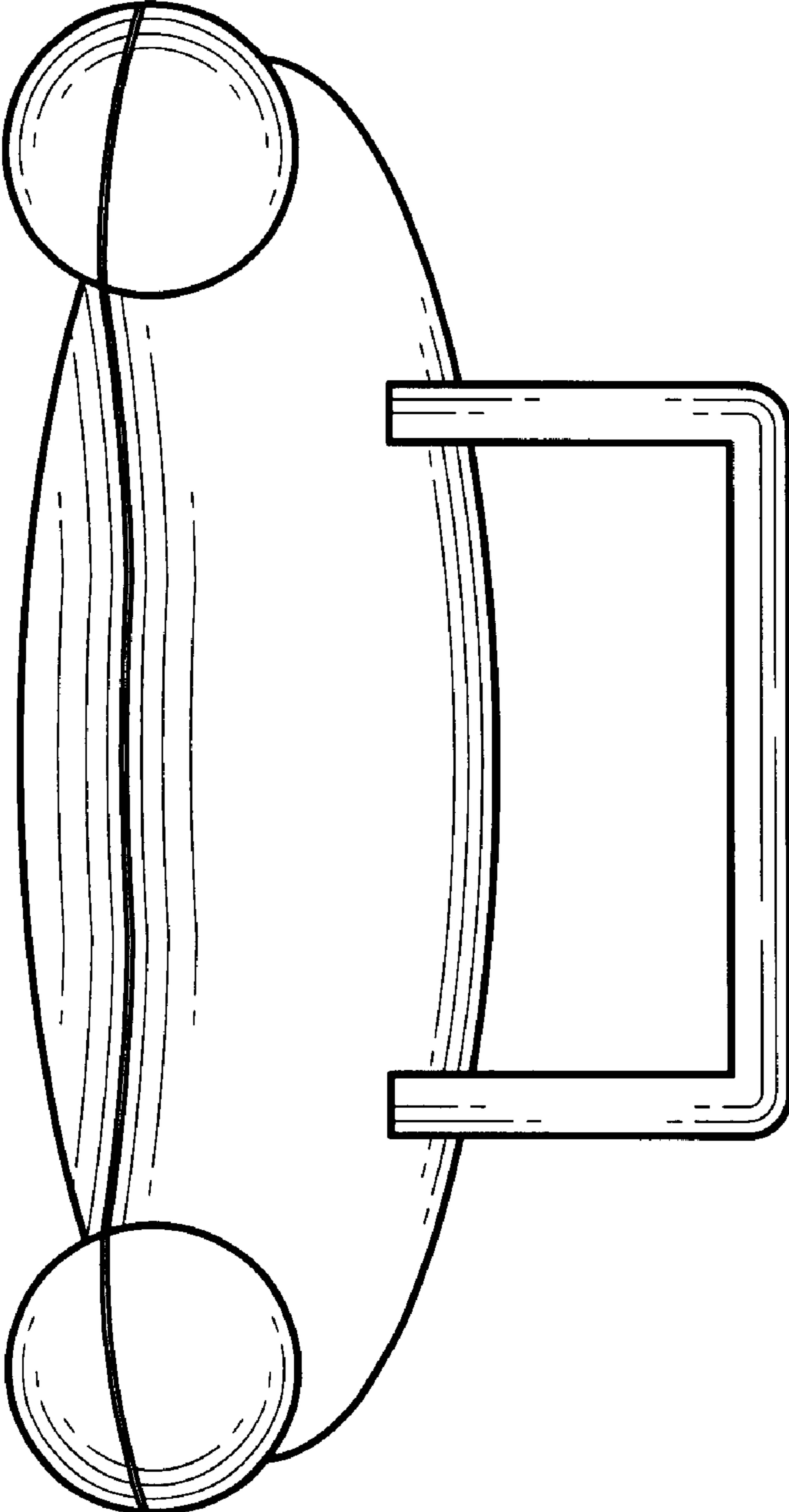


FIG. 7