



US00D521467S

(12) **United States Design Patent**  
**Lin**

(10) **Patent No.:** **US D521,467 S**

(45) **Date of Patent:** **\*\* May 23, 2006**

(54) **TELEVISION SET**

(75) Inventor: **Roger Lin**, Taipei (TW)

(73) Assignee: **Hannspree, Inc.**, Taipei (TW)

(\*\*) Term: **14 Years**

(21) Appl. No.: **29/227,515**

(22) Filed: **Apr. 13, 2005**

(30) **Foreign Application Priority Data**

Dec. 3, 2004 (TW) ..... 93307311

(51) **LOC (8) Cl.** ..... **14-03**

(52) **U.S. Cl.** ..... **D14/126; D14/129**

(58) **Field of Classification Search** ..... D14/125-134,  
D14/239, 371, 136, 374-377; 312/7.2; 348/836,  
348/838, 180, 184, 325, 739; 341/12; 248/917-924,  
248/465; 345/104, 133, 156, 168, 87, 173;  
720/605, 669, 600, 655; 369/99, 197; 455/344-347  
See application file for complete search history.

(56) **References Cited**

**U.S. PATENT DOCUMENTS**

D317,912 S \* 7/1991 Takai ..... D14/375

D416,587 S \* 11/1999 Hornsby et al. .... D21/329

D460,113 S \* 7/2002 Hainey et al. .... D19/52

D483,757 S \* 12/2003 Olson et al. .... D14/371

D496,047 S \* 9/2004 Hoehn ..... D14/375

D508,244 S \* 8/2005 Fairhurst et al. .... D14/346

\* cited by examiner

*Primary Examiner*—Raphael Barkai

(74) *Attorney, Agent, or Firm*—Troxell Law Office, PLLC

(57) **CLAIM**

The ornamental design for a television set, as shown and described.

**DESCRIPTION**

FIG. 1 is a perspective view of television set showing my design;

FIG. 2 is another perspective view thereof;

FIG. 3 is a front view thereof;

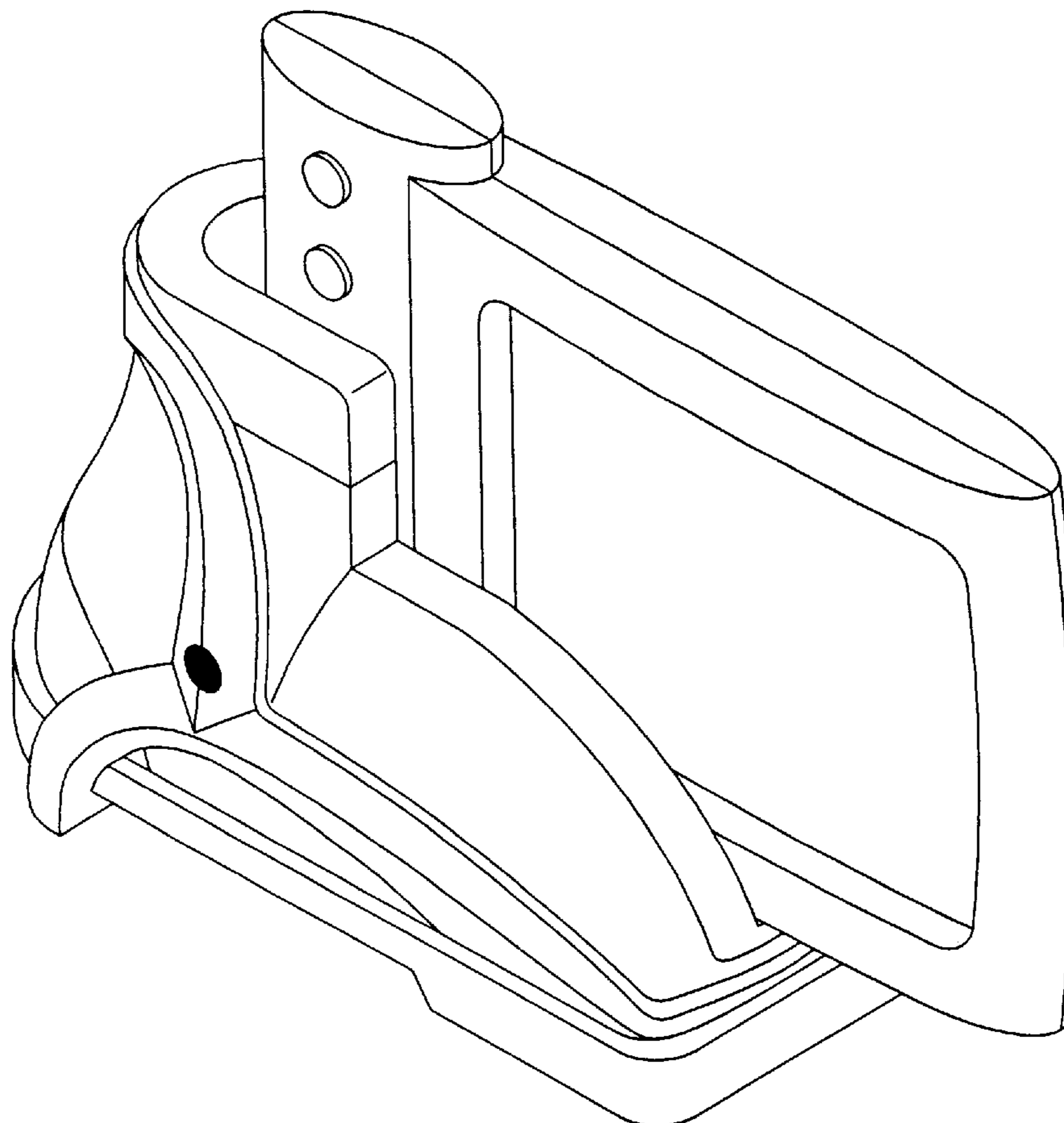
FIG. 4 is a right side view thereof;

FIG. 5 is a top view thereof;

FIG. 6 is a rear view thereof; and,

FIG. 7 is a left side view thereof.

**1 Claim, 5 Drawing Sheets**



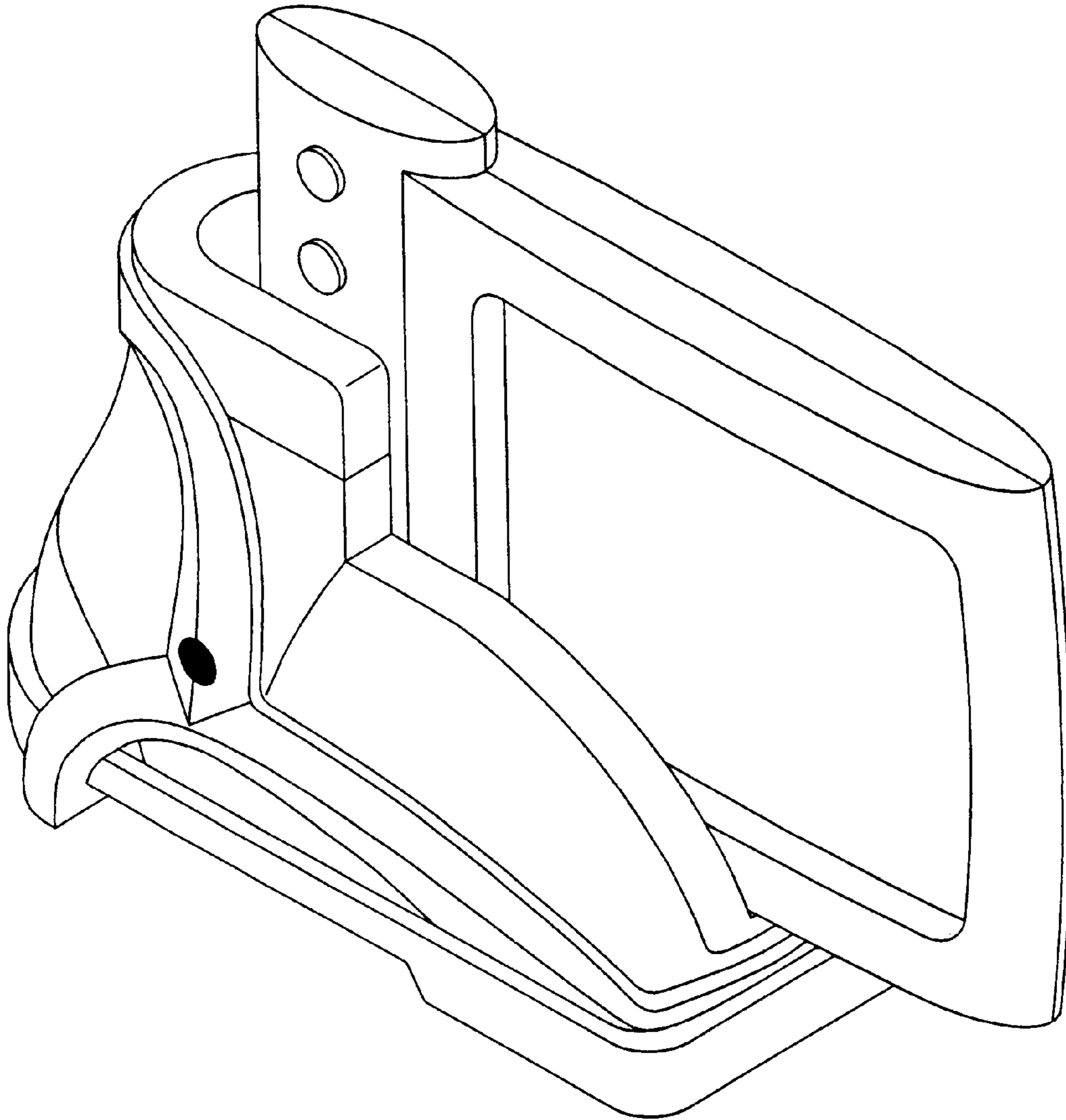


FIG. 1

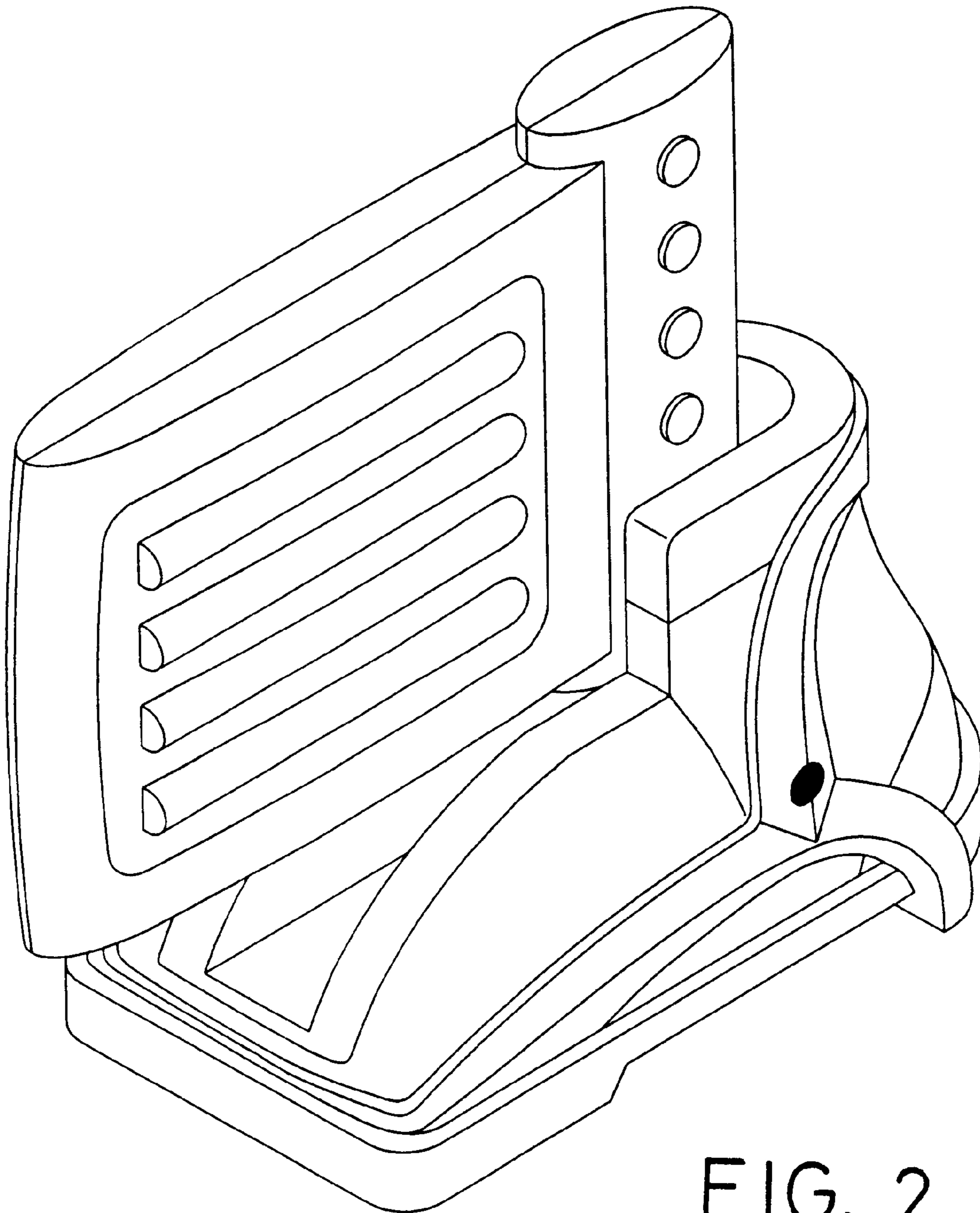


FIG. 2

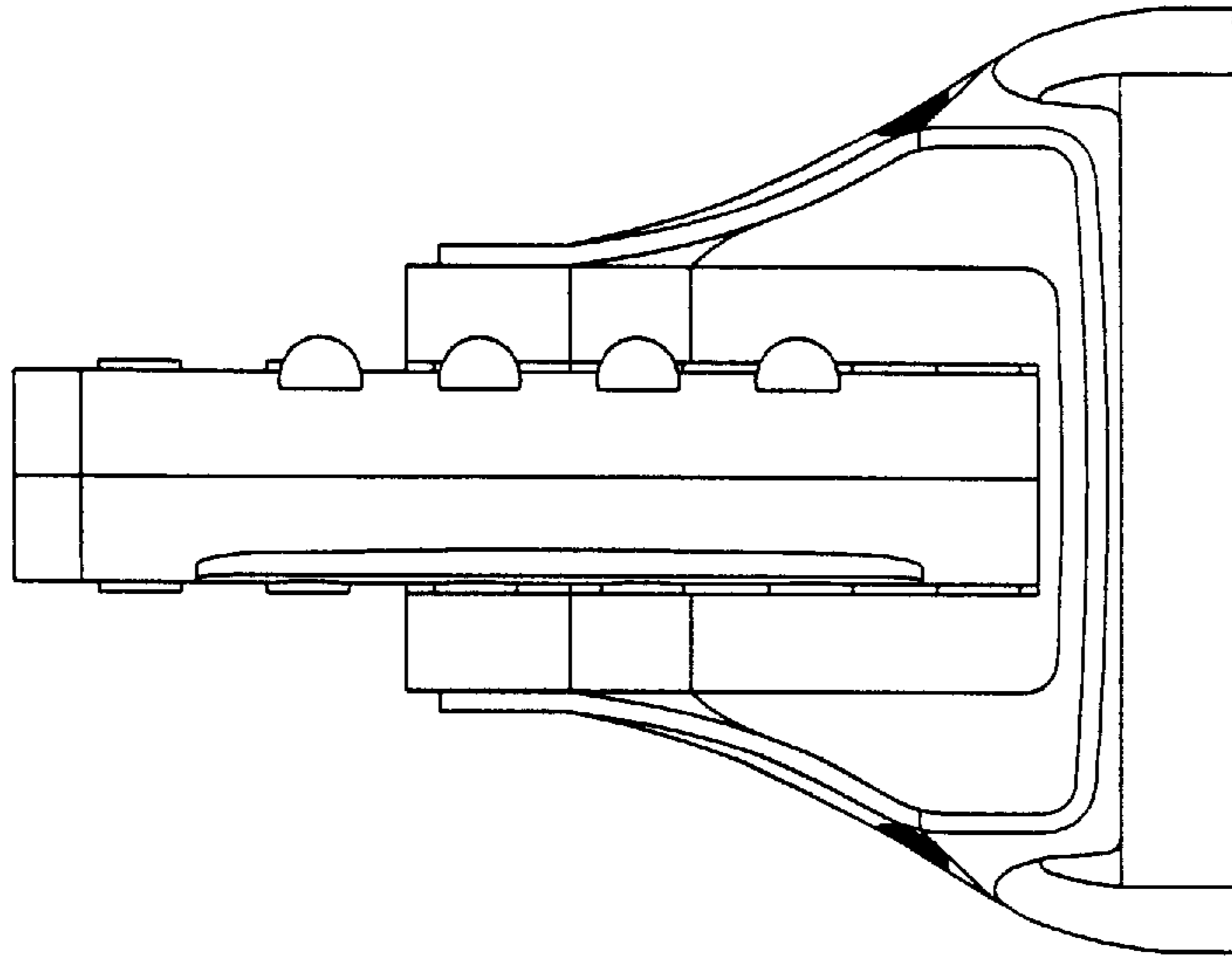


FIG. 4

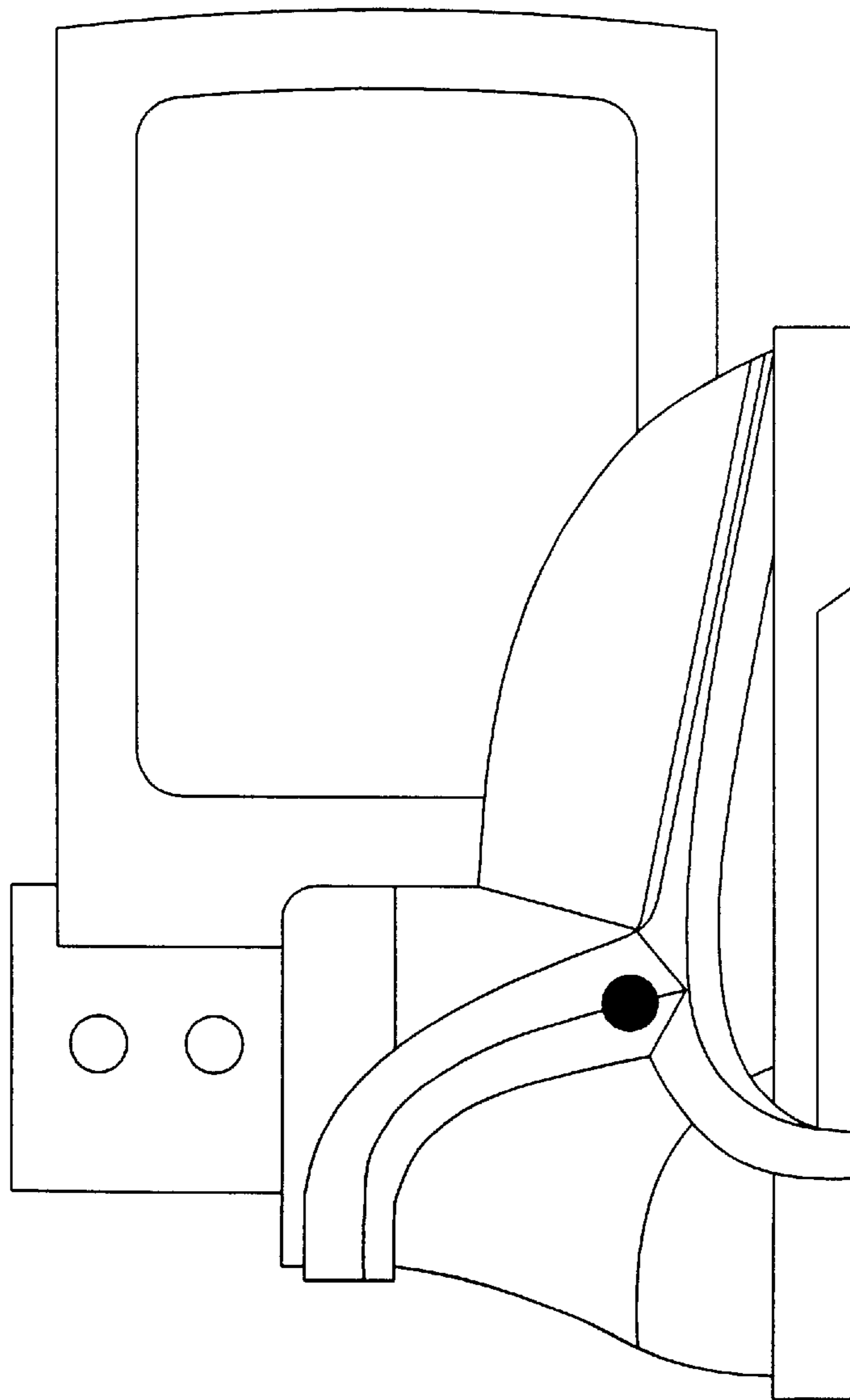


FIG. 3

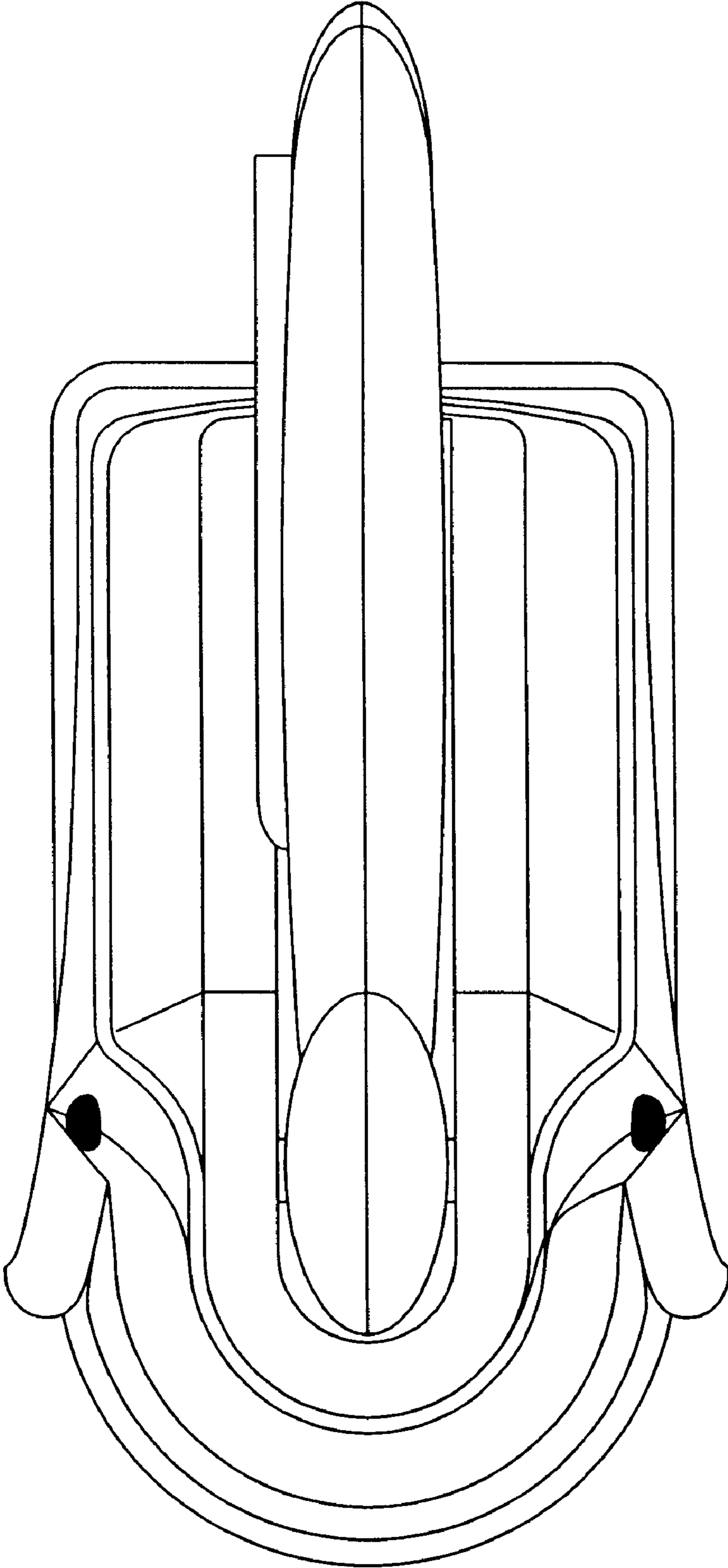


FIG. 5

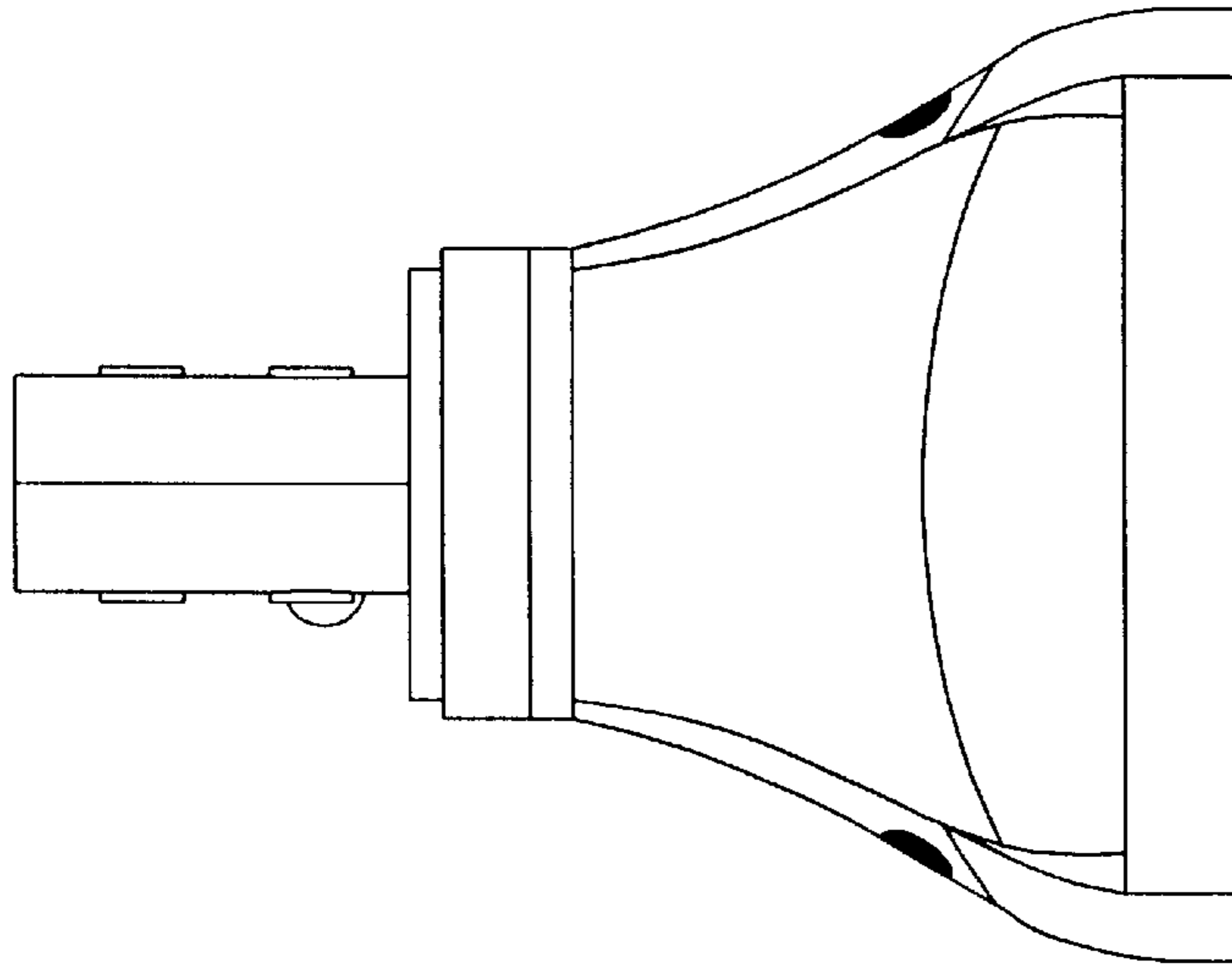


FIG. 7

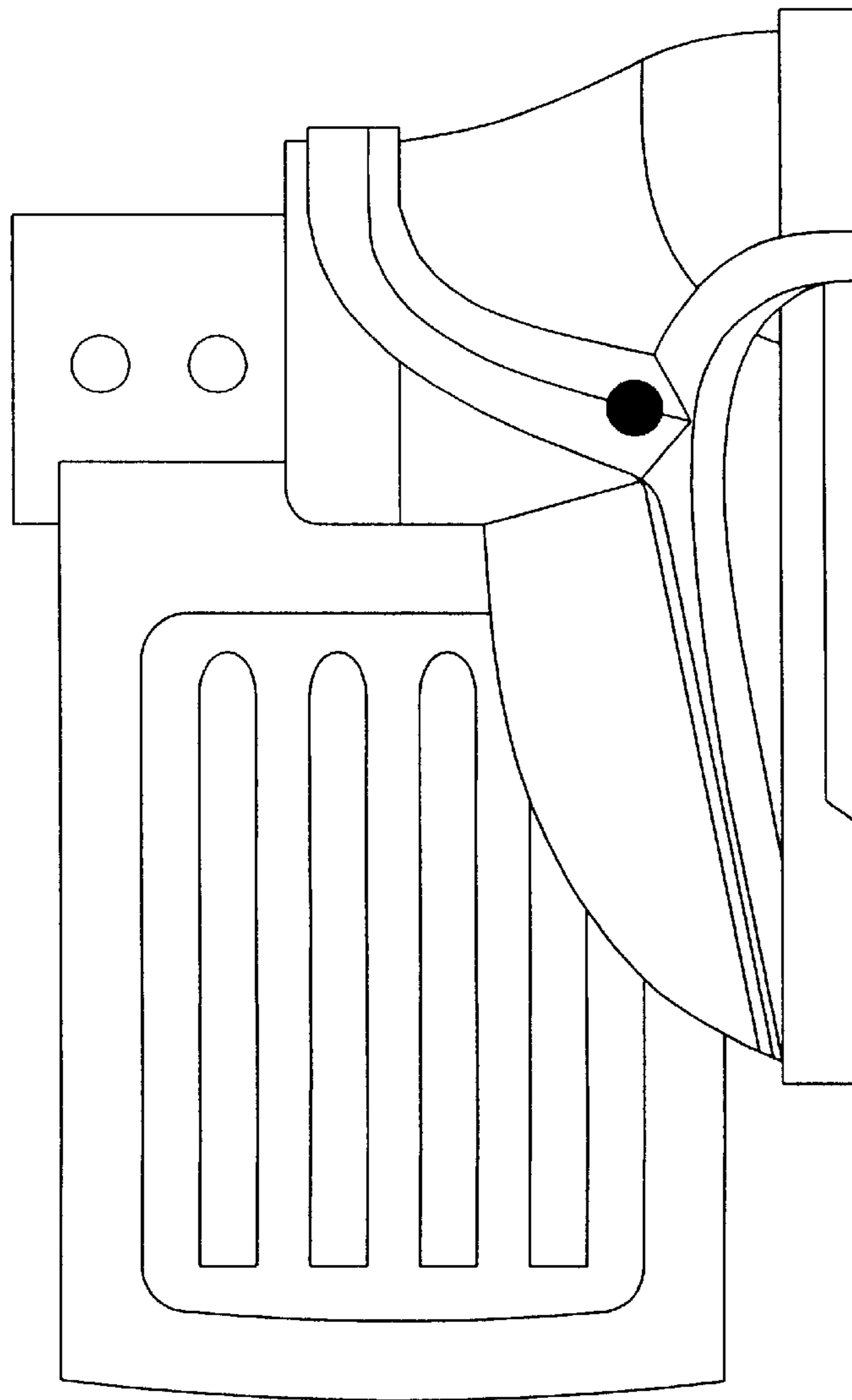


FIG. 6