



US00D521461S

(12) **United States Design Patent**  
**Lin**

(10) **Patent No.:** **US D521,461 S**

(45) **Date of Patent:** **\*\* May 23, 2006**

(54) **REMOTE CONTROL**

(75) Inventor: **Roger Lin**, Taipei (TW)

(73) Assignee: **Hannspree, Inc.**, Taipei (TW)

(\*\*) Term: **14 Years**

(21) Appl. No.: **29/231,012**

(22) Filed: **Jun. 1, 2005**

(30) **Foreign Application Priority Data**

Dec. 14, 2004 (TW) ..... 93307642

(51) **LOC (8) Cl.** ..... **14-03**

(52) **U.S. Cl.** ..... **D13/168; D14/218**

(58) **Field of Classification Search** ..... D13/168;  
D10/104, 106; D14/218, 247; 340/825.22,  
340/825.24, 825.25, 825.31, 825.36, 825.69,  
340/825.71, 825.72; 341/20, 22, 23, 34, 173,  
341/176; 348/734; 455/95, 100, 128, 151.1-151.4,  
455/352-355; 463/39

See application file for complete search history.

(56) **References Cited**

**U.S. PATENT DOCUMENTS**

D379,009 S \* 4/1997 Osiecki ..... D14/167

D415,735 S \* 10/1999 Zuege ..... D13/168

D452,520 S \* 12/2001 Gotham et al. .... D16/235

D482,336 S \* 11/2003 Stekelenburg ..... D13/168

D498,472 S \* 11/2004 Borsboom ..... D14/218

D499,717 S \* 12/2004 Zuege ..... D14/218

D500,015 S \* 12/2004 Gubbe ..... D13/168

\* cited by examiner

*Primary Examiner*—Stella Reid

*Assistant Examiner*—Selina Sikder

(74) *Attorney, Agent, or Firm*—Troxell Law Office, PLLC

(57) **CLAIM**

The ornamental design for a remote control, as shown.

**DESCRIPTION**

FIG. 1 is a perspective view of a remote control showing my new design;

FIG. 2 is a front view thereof;

FIG. 3 is a rear view thereof;

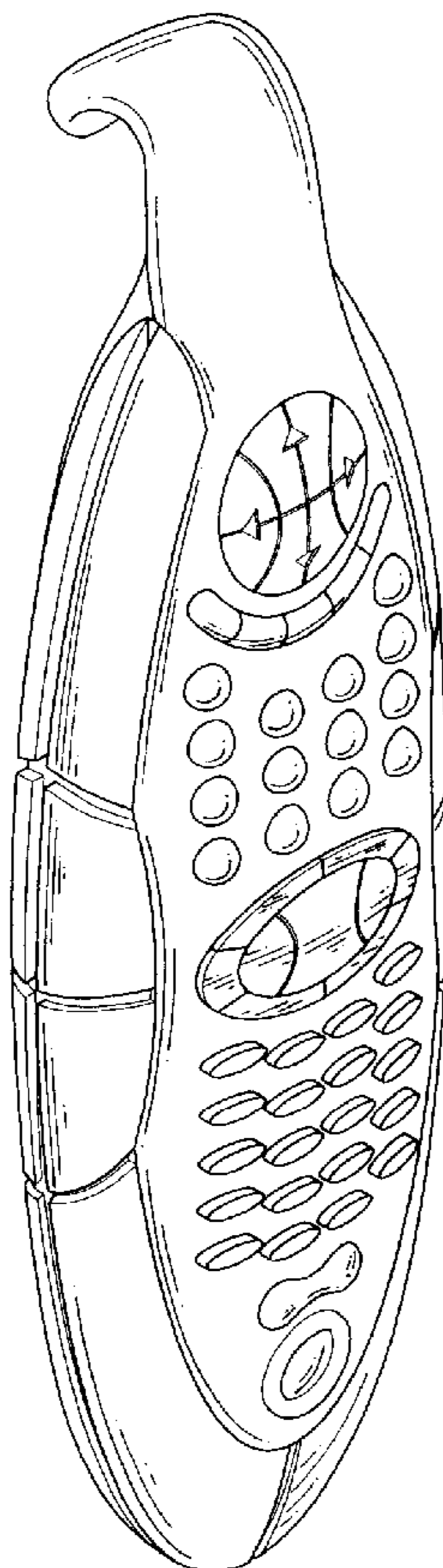
FIG. 4 is a left view thereof;

FIG. 5 is a right view thereof;

FIG. 6 is a top view thereof; and,

FIG. 7 is a bottom view thereof.

**1 Claim, 6 Drawing Sheets**



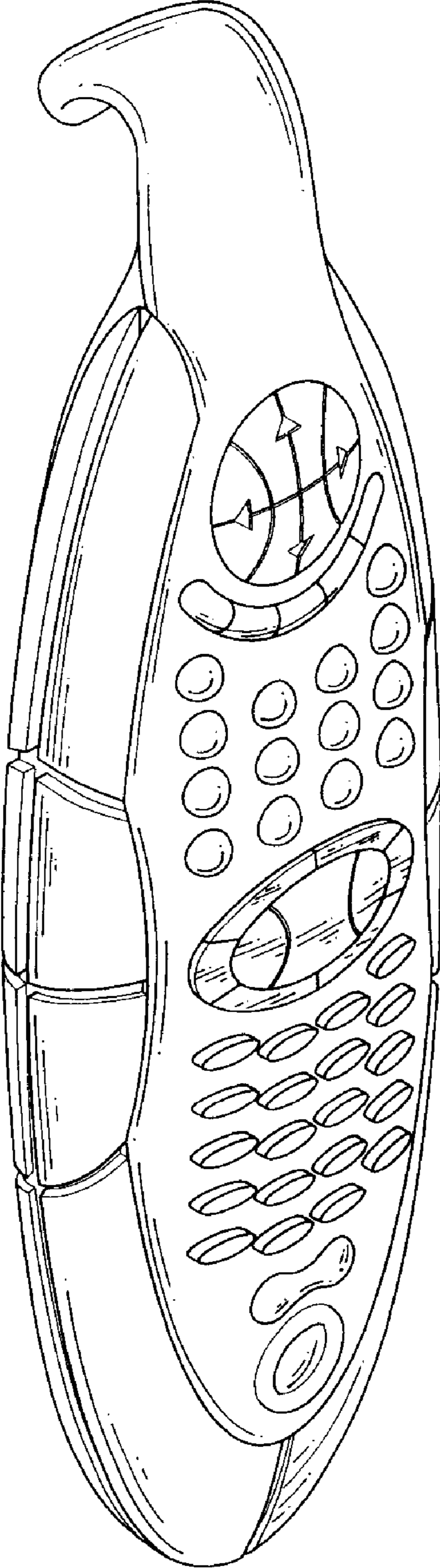


FIG.1

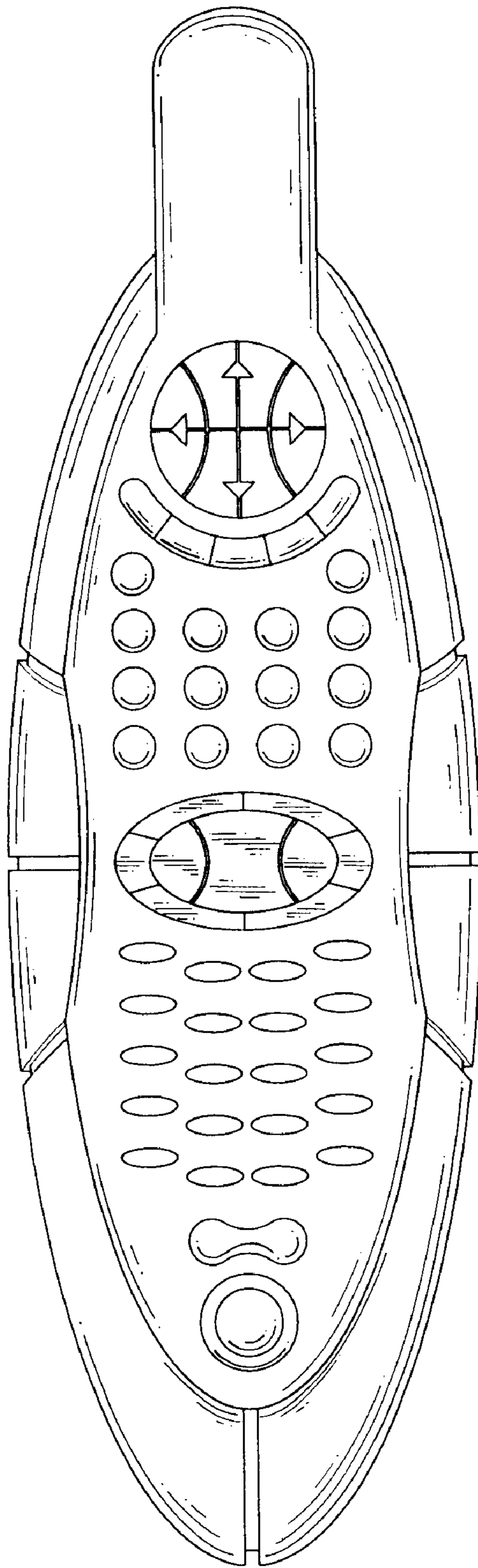


FIG.2

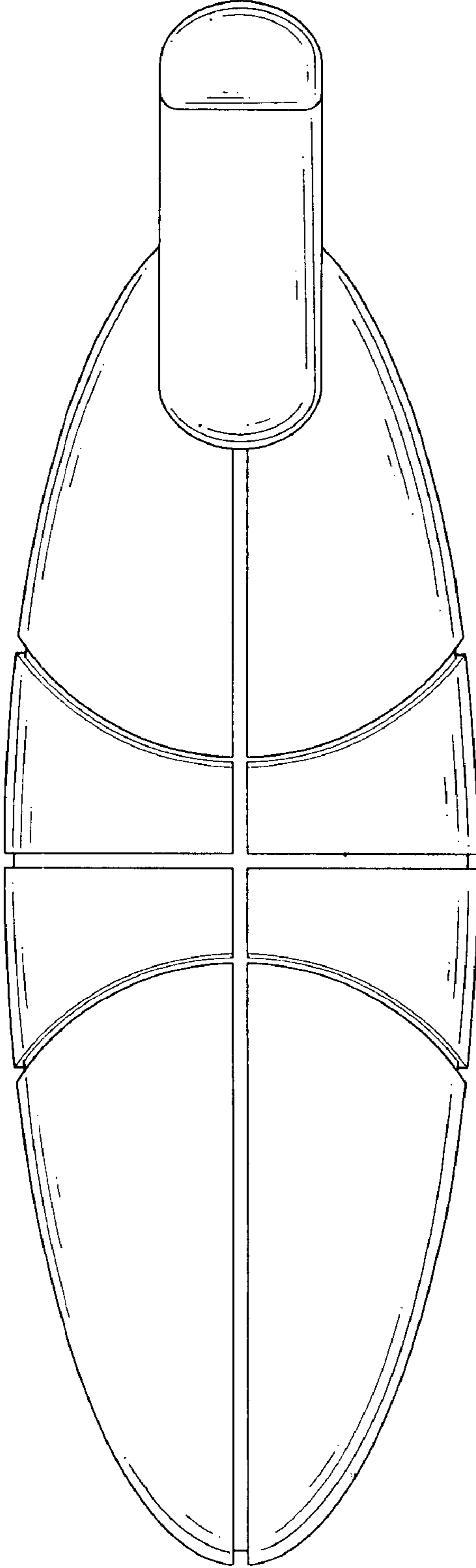


FIG.3

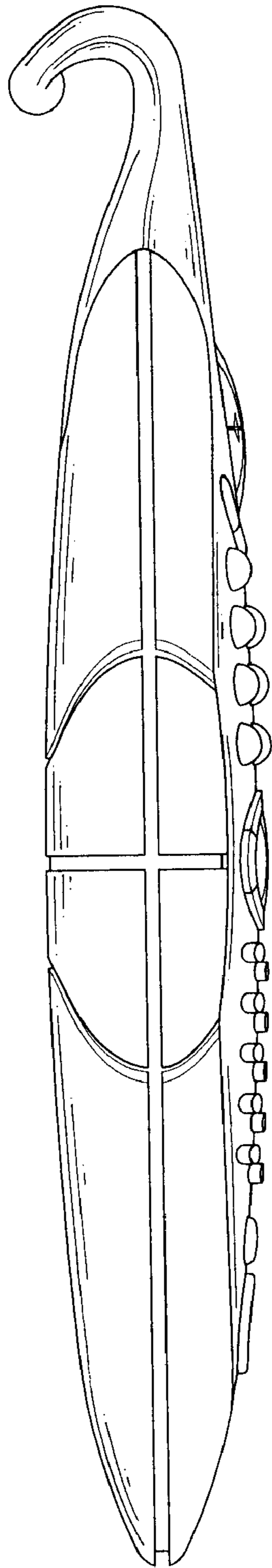


FIG.4

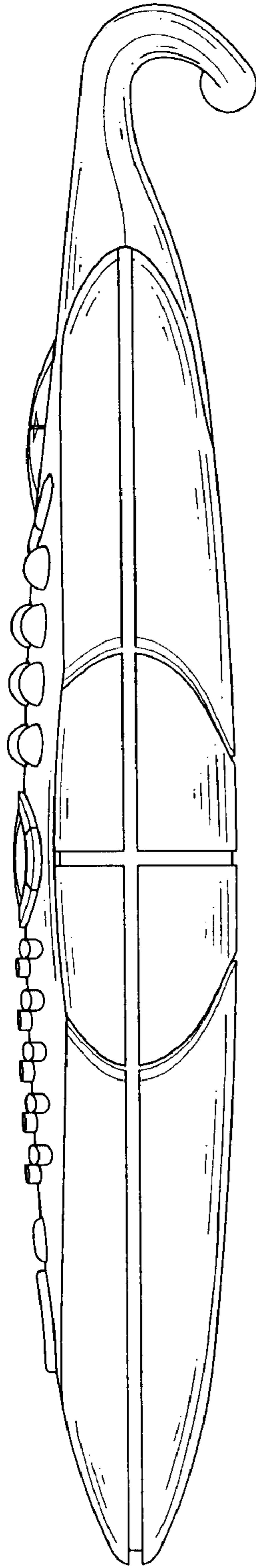


FIG.5

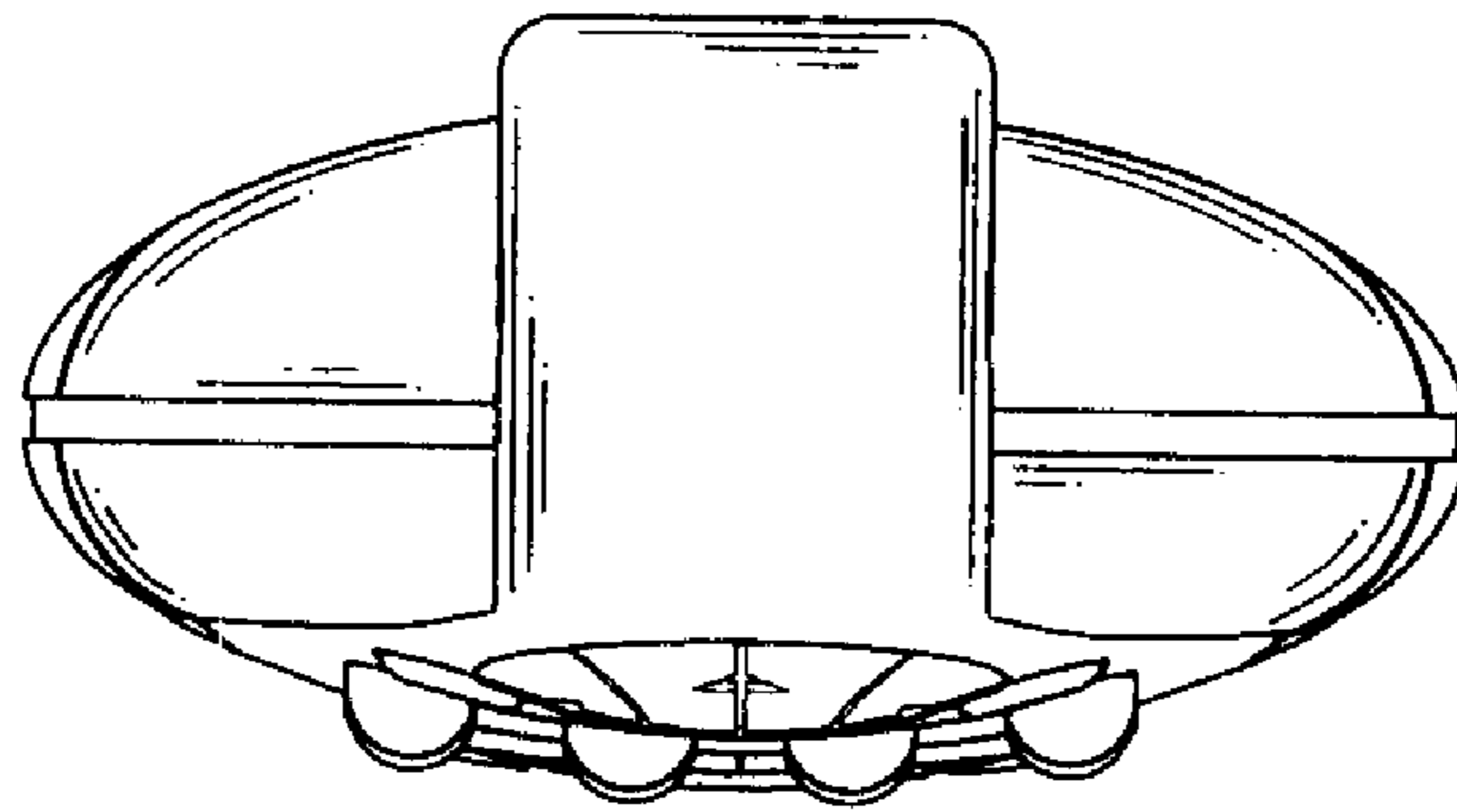


FIG. 6

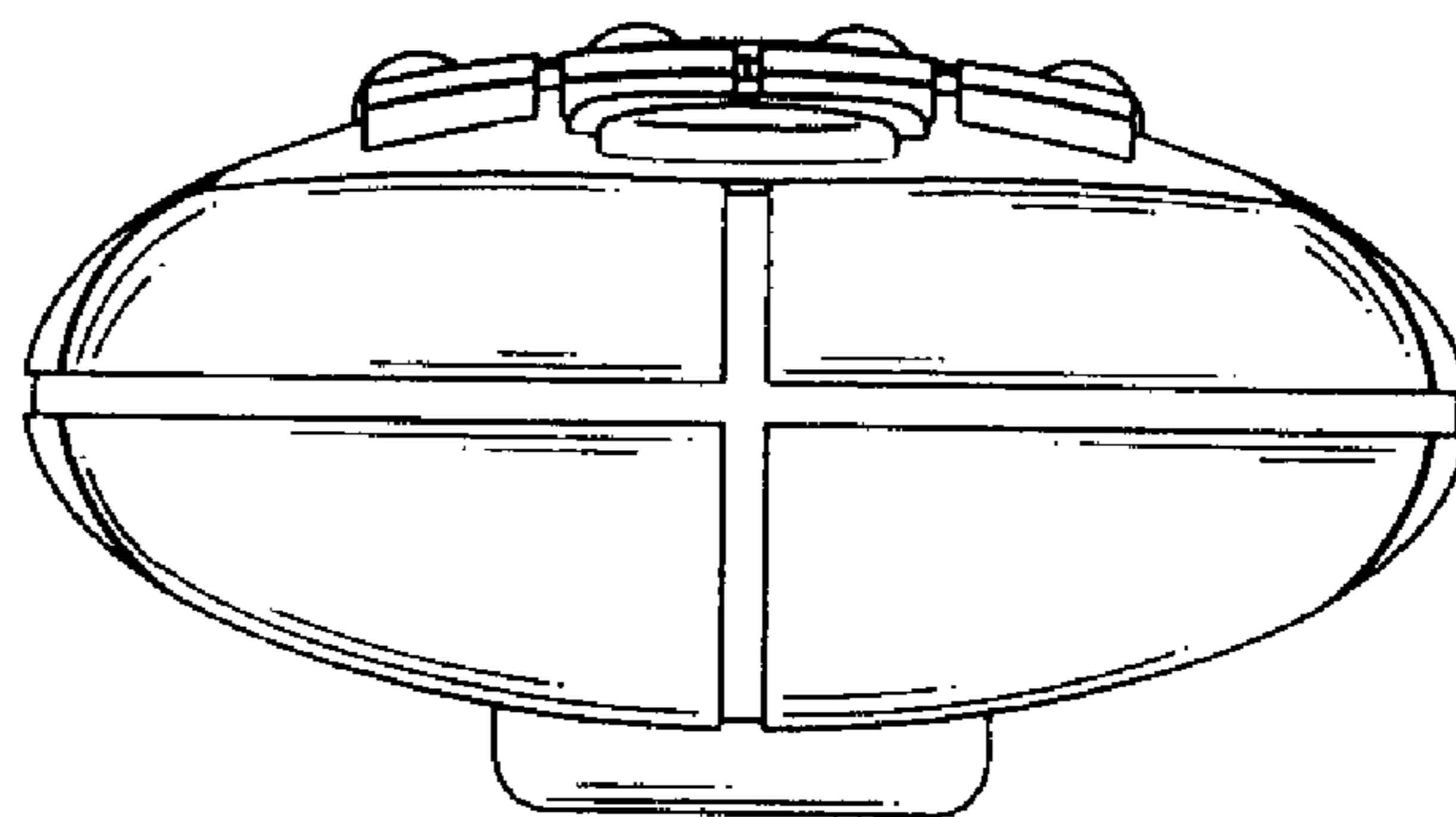


FIG. 7