



US00D521453S

(12) **United States Design Patent**
Takagi et al.

(10) **Patent No.:** **US D521,453 S**

(45) **Date of Patent:** **** May 23, 2006**

(54) **CONNECTOR FOR CARD**

(75) Inventors: **Souichi Takagi**, Tama (JP); **Isao Suzuki**, Tama (JP); **Takaki Tsutsui**, Tama (JP)

(73) Assignee: **Mitsumi Electric Co., Ltd.**, Tokyo (JP)

(**) Term: **14 Years**

(21) Appl. No.: **29/212,206**

(22) Filed: **Aug. 30, 2004**

(30) **Foreign Application Priority Data**

Apr. 27, 2004 (JP) 2004-012707

(51) **LOC (8) Cl.** **13-03**

(52) **U.S. Cl.** **D13/147**

(58) **Field of Classification Search** D13/146,
D13/147, 184, 199; 439/247-248, 350, 353,
439/357, 427, 489, 559, 557, 567, 587, 595,
439/680, 750, 180

See application file for complete search history.

(56) **References Cited**

U.S. PATENT DOCUMENTS

D425,486 S * 5/2000 Nishio et al. D13/147

D428,854 S * 8/2000 Nishio et al. D13/154

D434,732 S * 12/2000 Wu D13/147

6,641,416 B1 * 11/2003 Schulz et al. 439/180

6,669,512 B1 * 12/2003 Lee 439/630

D509,191 S * 9/2005 Hu et al. D13/147

* cited by examiner

Primary Examiner—Stella Reid

Assistant Examiner—Daniel Bui

(74) *Attorney, Agent, or Firm*—Sughrue Mion, PLLC

(57) **CLAIM**

The ornamental design for a connector for card, as shown.

DESCRIPTION

FIG. 1 is a perspective view of the top, front and right side of a connector for card showing our new design;

FIG. 2 is a perspective view of the bottom, front and left side thereof;

FIG. 3 is a left side elevational view thereof;

FIG. 4 is a right elevational view thereof;

FIG. 5 is a front elevational view thereof;

FIG. 6 is a rear elevational view thereof;

FIG. 7 is a top plan view thereof; and,

FIG. 8 is a bottom plan view thereof.

1 Claim, 3 Drawing Sheets

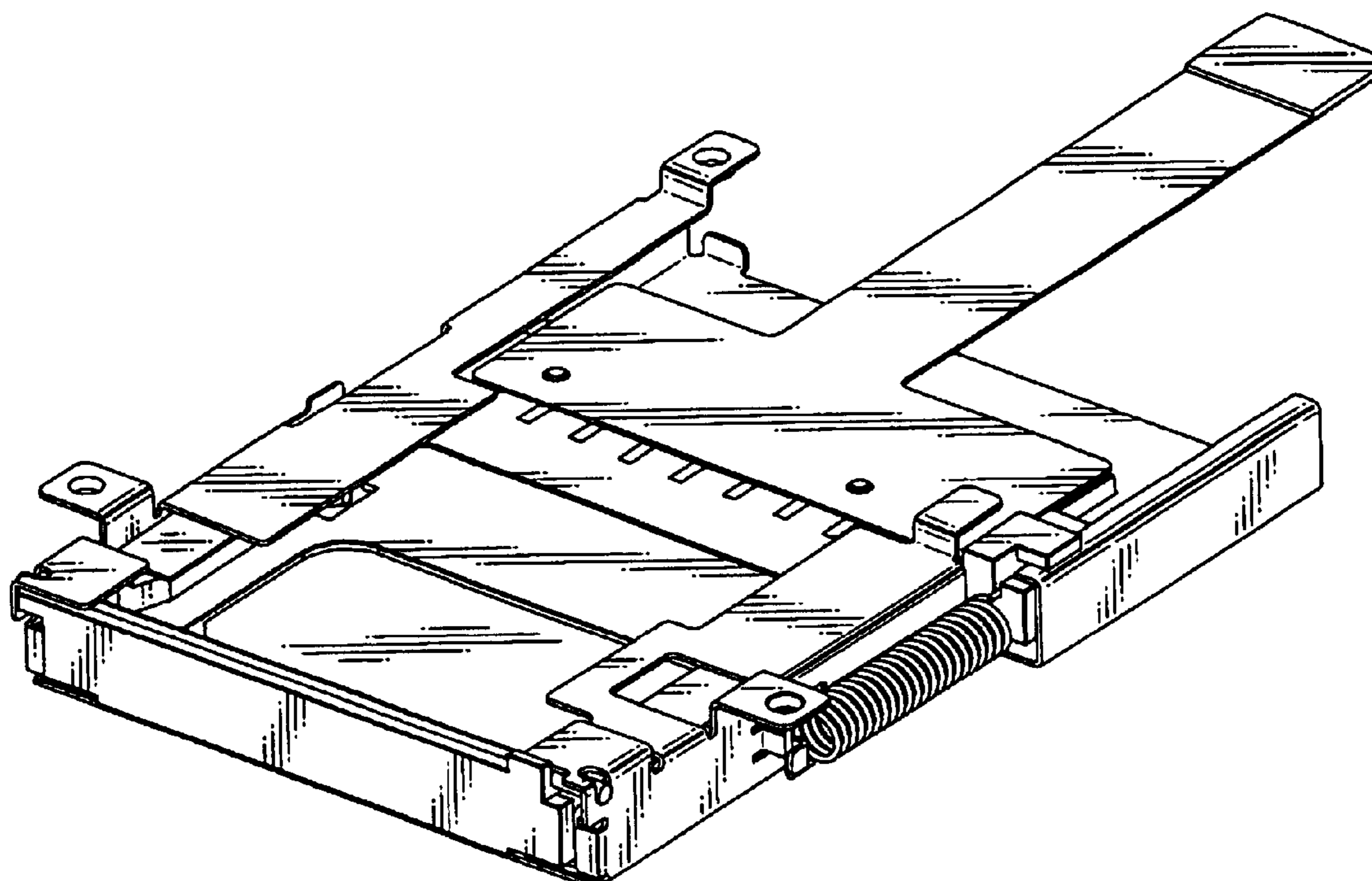


FIG. 1

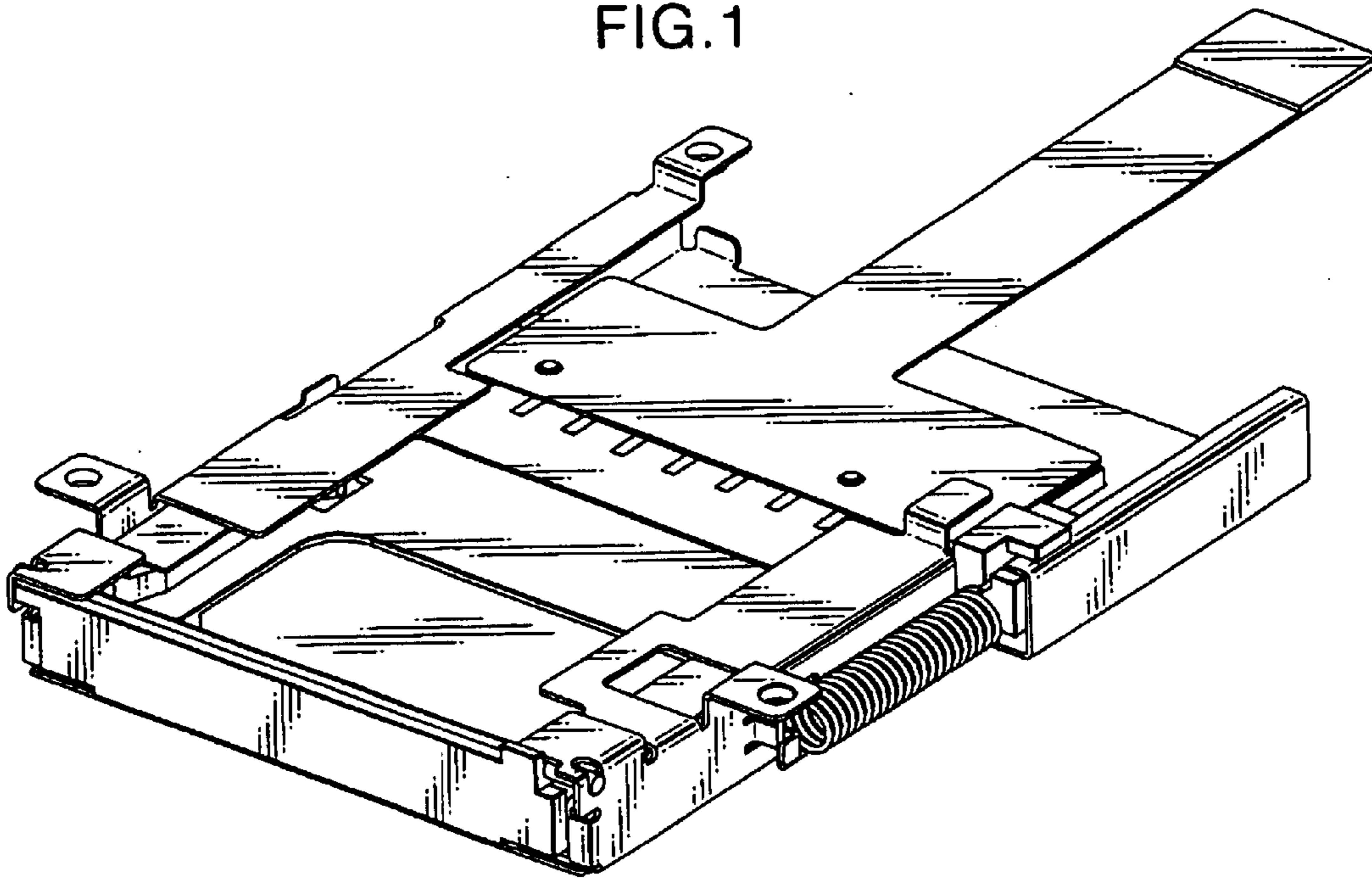


FIG. 2

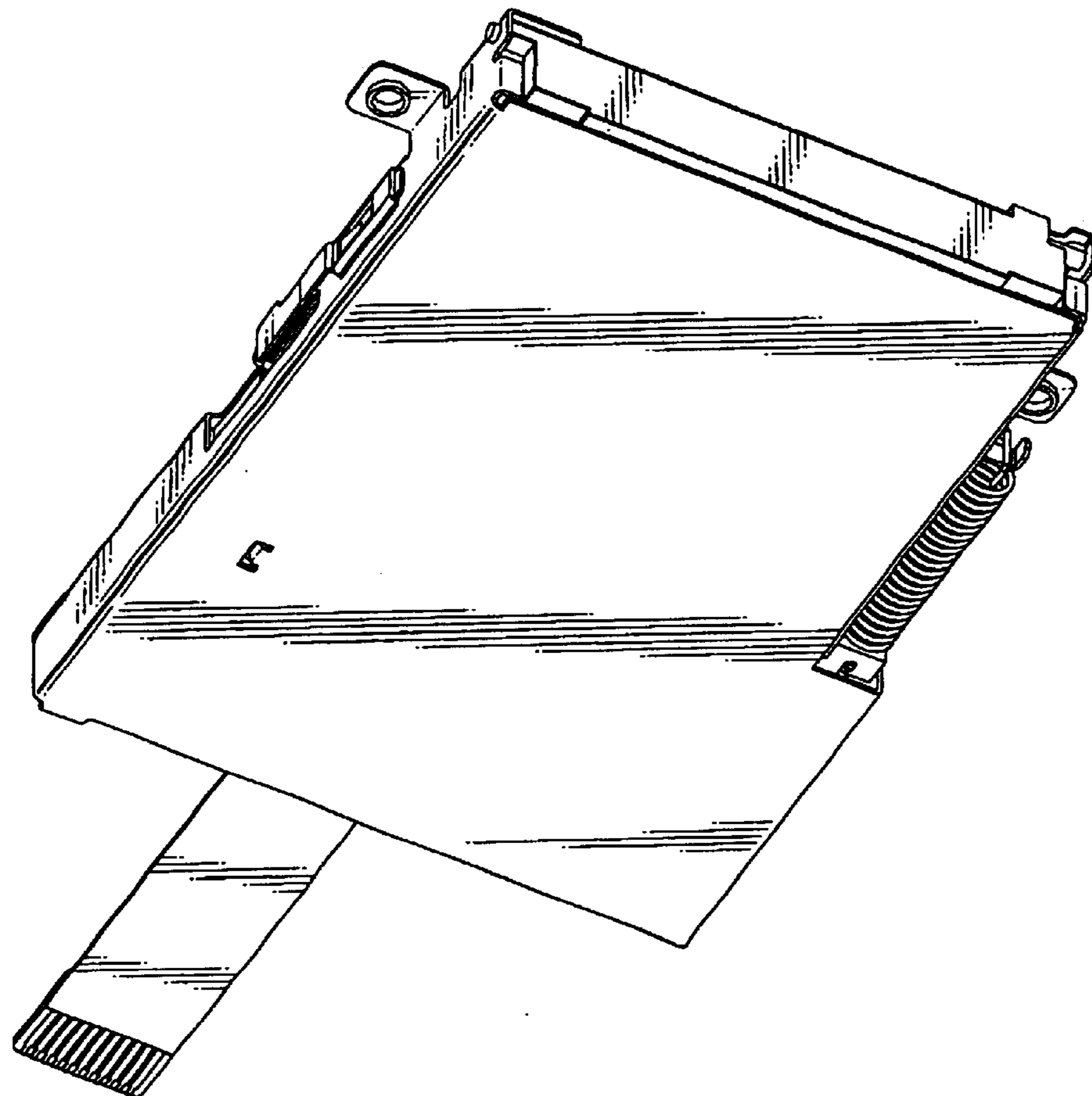


FIG.3

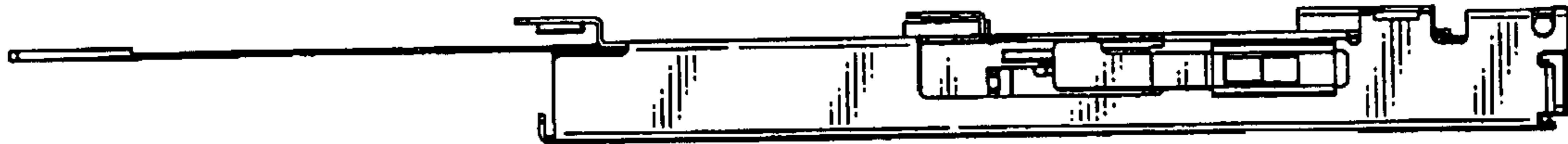


FIG.4

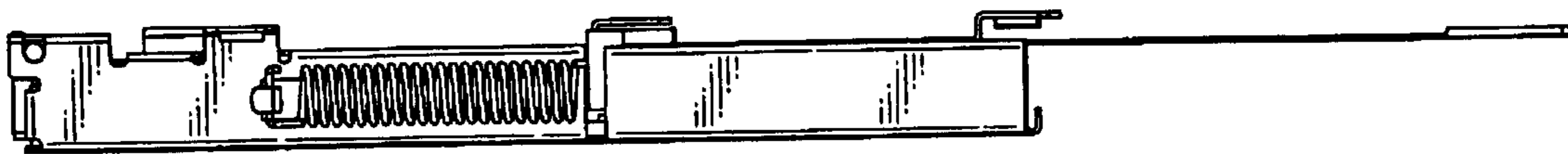


FIG.5

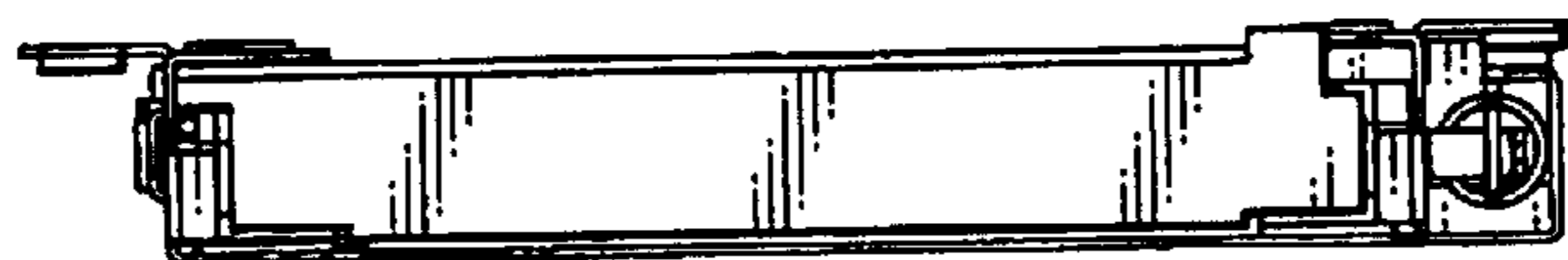


FIG.6



FIG.7

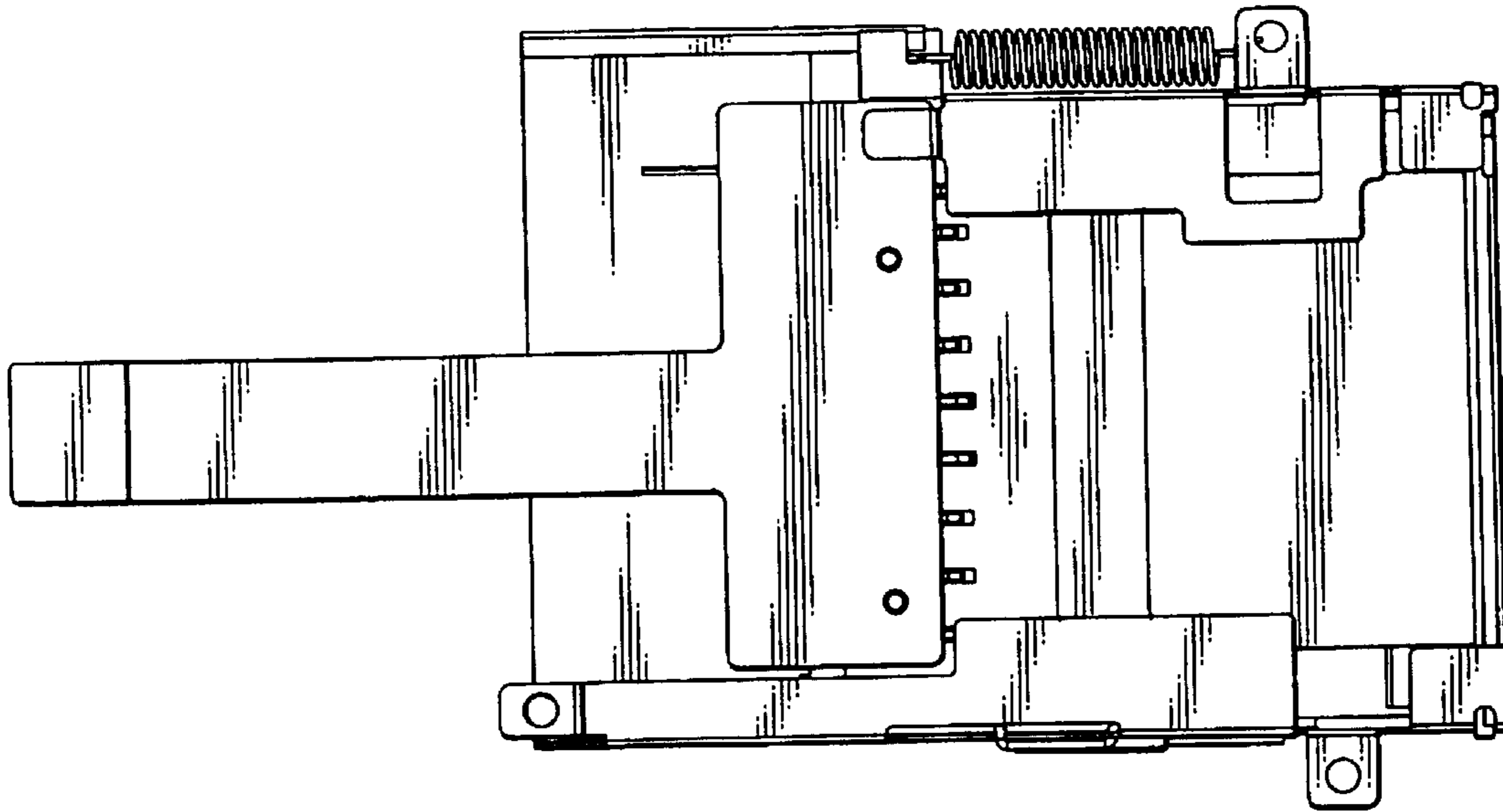


FIG.8

