



US00D521451S

(12) **United States Design Patent**
Wiskerke

(10) **Patent No.:** **US D521,451 S**

(45) **Date of Patent:** **** May 23, 2006**

(54) **END CAP FOR FLUORESCENT LAMP**

(75) Inventor: **Pieter J. Wiskerke**, Middelburg (NL)

(73) Assignee: **Koninklijke Philips Electronics, N.V.**,
Eindhoven (NL)

(**) Term: **14 Years**

(21) Appl. No.: **29/193,364**

(22) Filed: **Nov. 7, 2003**

(30) **Foreign Application Priority Data**

May 15, 2003 (EM) 19872

(51) **LOC (8) Cl.** **13-03**

(52) **U.S. Cl.** **D13/134**

(58) **Field of Classification Search** D13/123,
D13/133-136, 154-156, 184, 199; D26/1-4,
D26/75-76; 313/51, 318.01, 318.07, 318.09,
313/318.11, 313-320; 439/135, 226, 611-612
See application file for complete search history.

(56) **References Cited**

U.S. PATENT DOCUMENTS

4,078,944 A * 3/1978 Mlavsky 136/246
D275,948 S * 10/1984 Vakil D13/135

4,542,947 A * 9/1985 Flor et al. 439/232
4,695,768 A * 9/1987 Covington et al. 315/73
D294,019 S * 2/1988 Futatsugi et al. D13/134
D296,207 S * 6/1988 Futatsugi et al. D13/134
D304,716 S * 11/1989 Johnson et al. D13/134
D377,005 S * 12/1996 Lin D13/134
D397,811 S * 9/1998 Vakil D26/3
D405,415 S * 2/1999 Henrici et al. D13/134
D448,096 S * 9/2001 Choi D26/3
D448,499 S * 9/2001 Choi D26/3
D487,252 S * 3/2004 Schweitzer D13/134

* cited by examiner

Primary Examiner—Stella Reid

Assistant Examiner—Daniel Bui

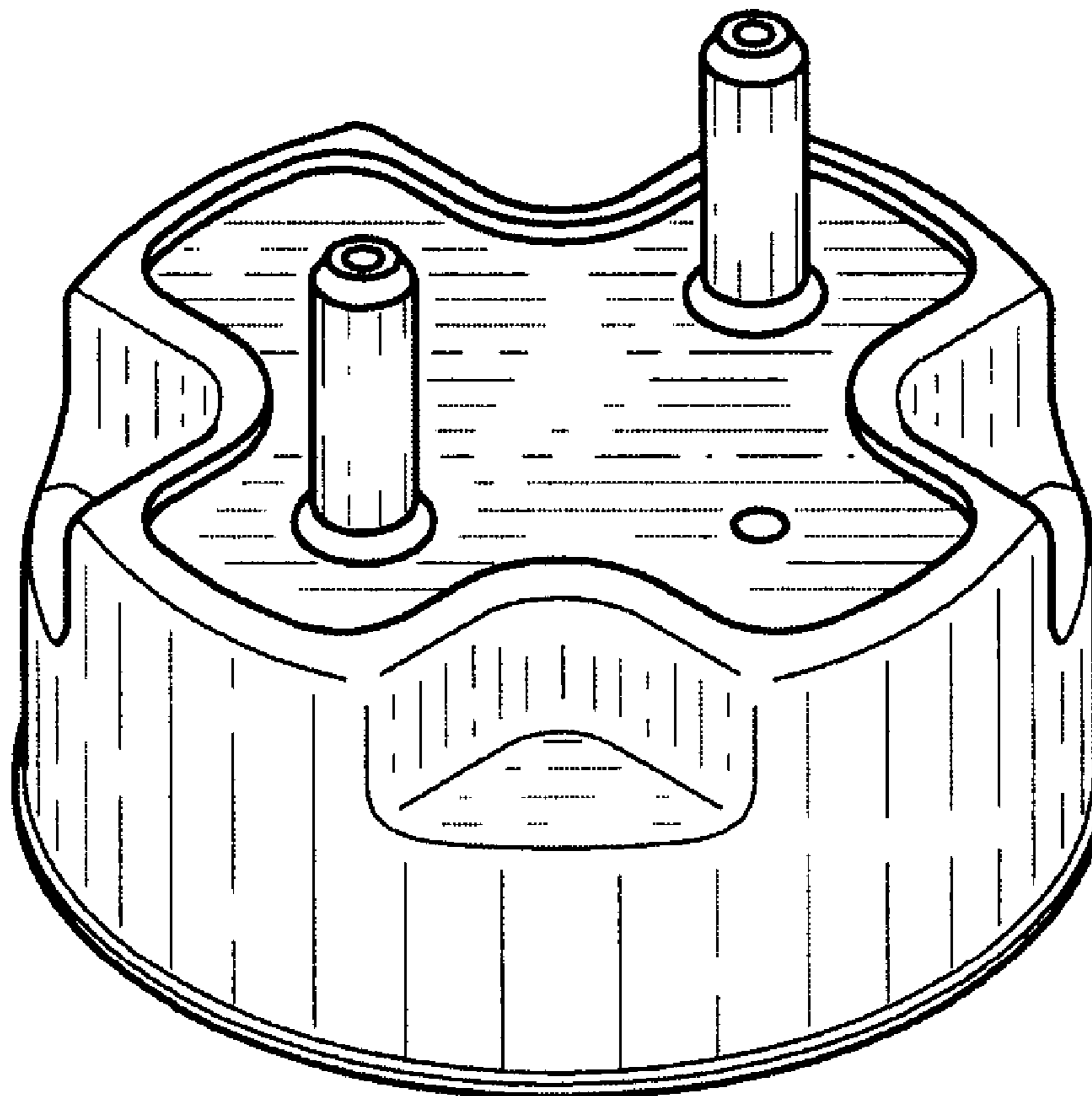
(57) **CLAIM**

The ornamental design for an end cap for fluorescent lamp,
as shown.

DESCRIPTION

FIG. 1 is a perspective view showing my design;
FIG. 2 is a front elevation view thereof;
FIG. 3 is a rear elevation view thereof;
FIG. 4 is a right side elevation view thereof;
FIG. 5 is a left side elevation view thereof; and,
FIG. 6 is a top plan view thereof.

1 Claim, 2 Drawing Sheets



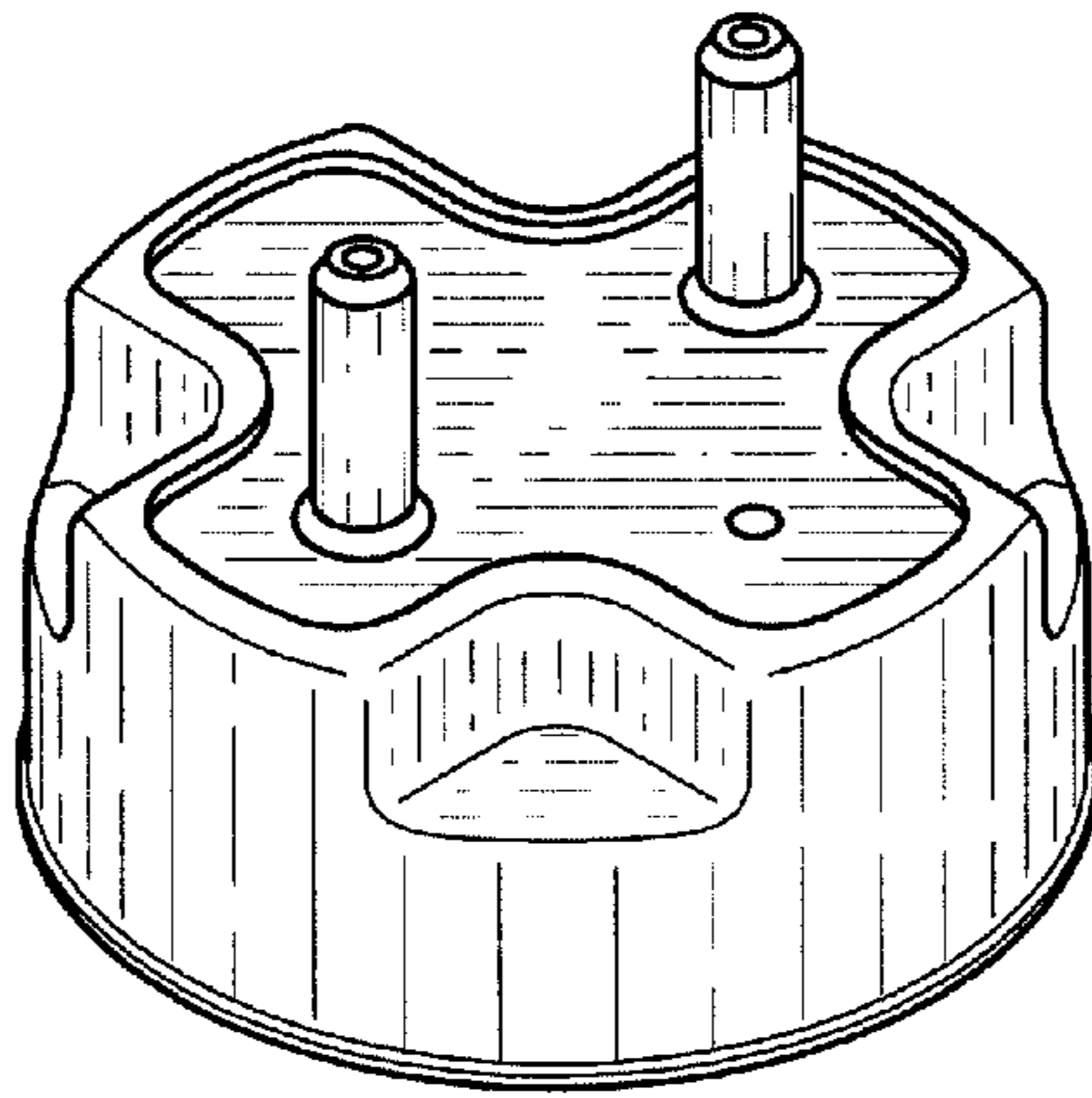


FIG. 1

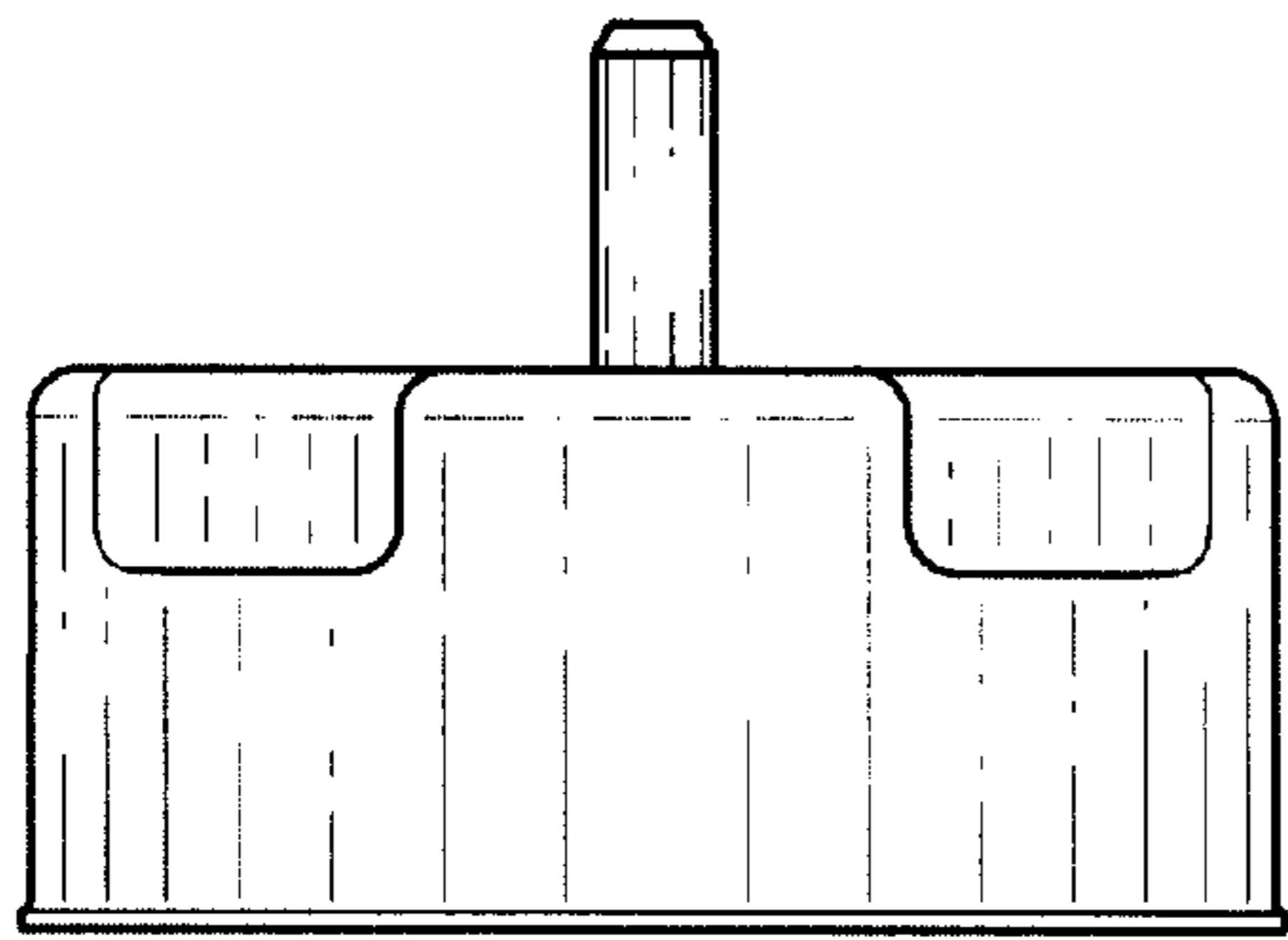


FIG. 2

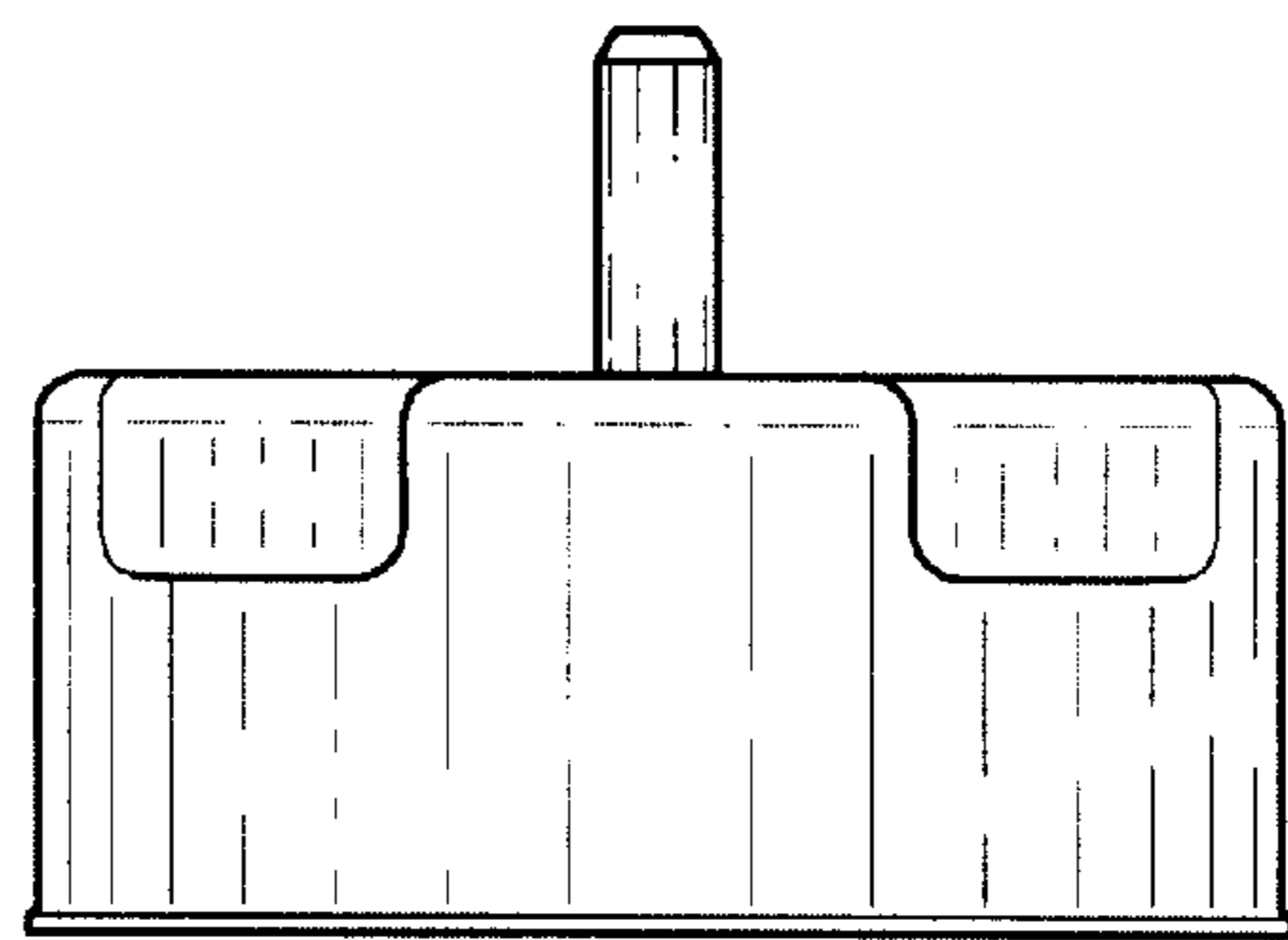


FIG. 3

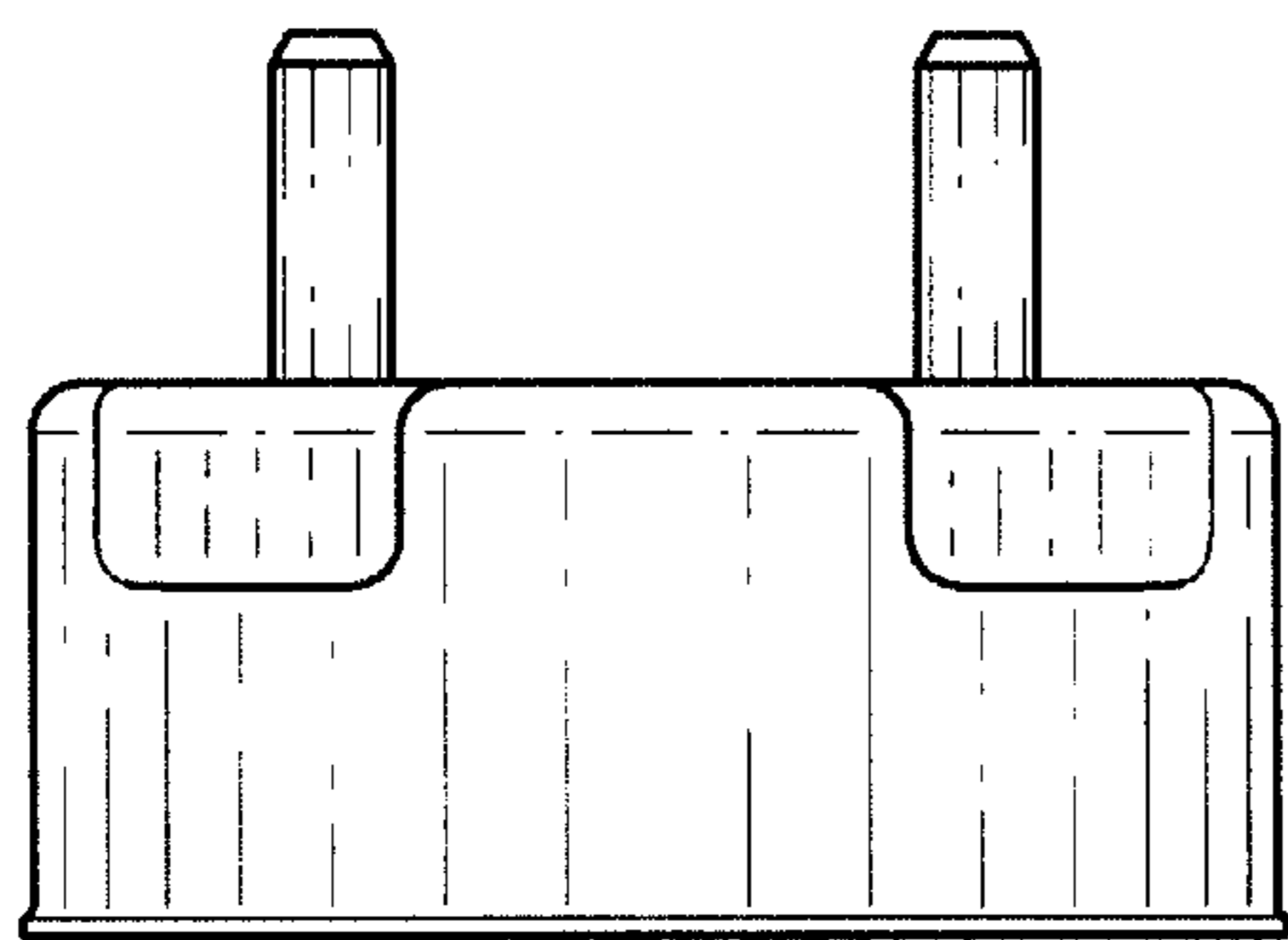


FIG. 4

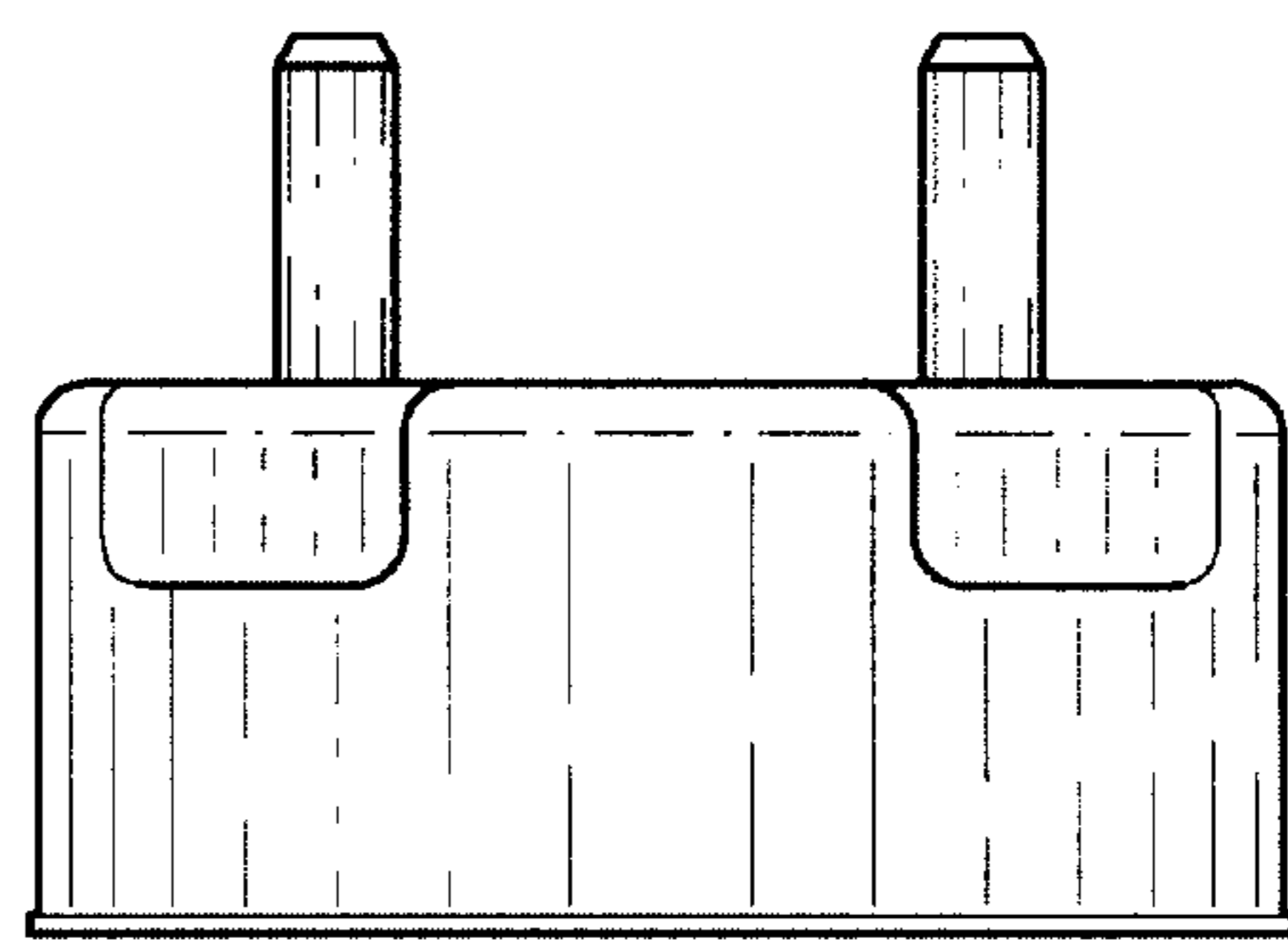


FIG. 5

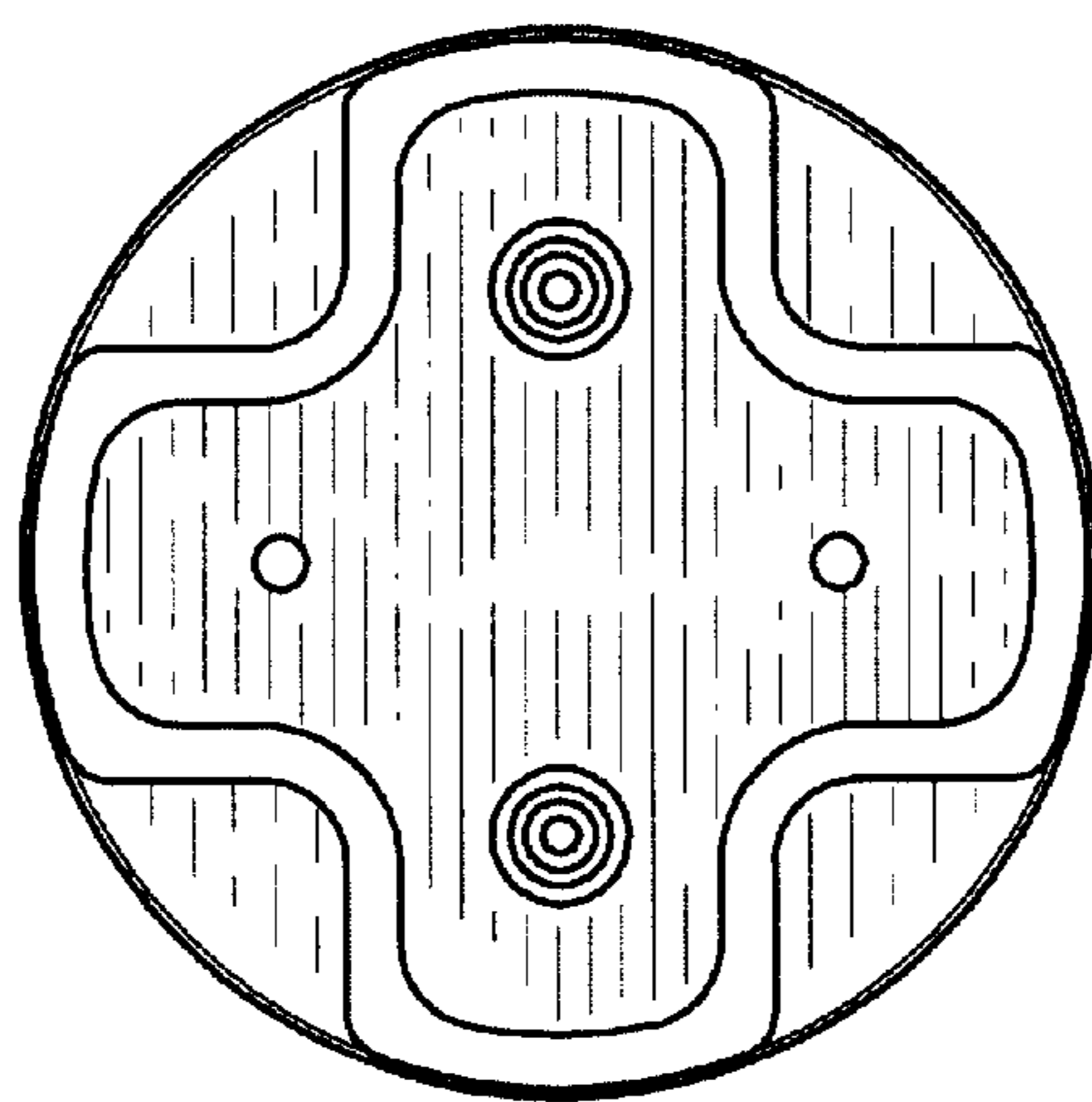


FIG. 6