

US00D521448S

(12) **United States Design Patent**
Yokota

(10) **Patent No.:** **US D521,448 S**

(45) **Date of Patent:** **** May 23, 2006**

(54) **BATTERY**

(75) Inventor: **Hiroaki Yokota**, Tokyo (JP)

(73) Assignee: **Sony Corporation**, Tokyo (JP)

(**) Term: **14 Years**

6,376,122 B1	4/2002	Cheeseman
D457,857 S	5/2002	Ogasawara
D461,163 S	8/2002	Hirano et al.
D476,949 S	7/2003	Wada
D477,275 S	7/2003	Wada
D479,191 S	9/2003	Peress et al.
D485,530 S	1/2004	Ogasawara

(21) Appl. No.: **29/236,457**

(22) Filed: **Aug. 17, 2005**

Related U.S. Application Data

(62) Division of application No. 29/207,604, filed on Jun. 17, 2004.

(51) **LOC (8) Cl.** **13-02**

(52) **U.S. Cl.** **D13/103**

(58) **Field of Classification Search** D13/102-106,
D13/110, 118-119, 184; 429/96-100, 163,
429/176

See application file for complete search history.

(56) **References Cited**

U.S. PATENT DOCUMENTS

D243,616 S	3/1977	Kaye	
D243,617 S	* 3/1977	Kaye	D13/103
D329,634 S	9/1992	Mizusugi et al.	
D346,580 S	5/1994	Tattari	
D346,581 S	5/1994	Tattari	
D385,251 S	* 10/1997	Friedli et al.	D13/103
D405,755 S	* 2/1999	Arai et al.	D13/103
D406,561 S	3/1999	Goto	
D409,975 S	* 5/1999	Zeller	D13/103
D412,486 S	* 8/1999	Gray et al.	D13/103
D415,466 S	10/1999	Kawa	
D421,244 S	2/2000	Goto	
D425,015 S	* 5/2000	Iwamoto	D13/103
D431,227 S	9/2000	Ogasawara	
D431,808 S	10/2000	Ogasawara	
D434,722 S	* 12/2000	Zolyomi et al.	D13/103
D448,003 S	9/2001	Ogasawara	

OTHER PUBLICATIONS

Web page "PCGA-BP2S/HI" www.yodobashi.com, 1 sheet, Yodobashi Camera (Apr. 2004).

Web page "PCGA-BP4S" www.yodobashi.com, 1 sheet, Yodobashi Camera (Apr. 2004).

Web page "IBM, 02k6847" www.yodobashi.com, 1 sheet, Yodobashi Camera (Apr. 2004).

Web page "PCGA-BP4V" http://www.ecat.sony.co.jp/vaio/acc/acc.cfm?pd=11072, 1 sheet, Sony (Apr. 2004).

Web page "PCGA-BP3T" http://www.ecat.sony.co.jp/vaio/acc/acc.cfm?pd=13872, 1 sheet, Sony (Apr. 2004).

* cited by examiner

Primary Examiner—Alan P. Douglas

Assistant Examiner—Rosemary K. Tarcza

(74) *Attorney, Agent, or Firm*—Rader, Fishman & Grauer PLLC

(57) **CLAIM**

The ornamental design for a battery, as shown.

DESCRIPTION

FIG. 1 is a perspective view of a battery showing my new design;

FIG. 2 is a front elevational view thereof;

FIG. 3 is a rear elevational view thereof;

FIG. 4 is a left side elevational view thereof;

FIG. 5 is a right side elevational view thereof;

FIG. 6 is a top plan view thereof; and,

FIG. 7 is a bottom plan view thereof.

1 Claim, 4 Drawing Sheets

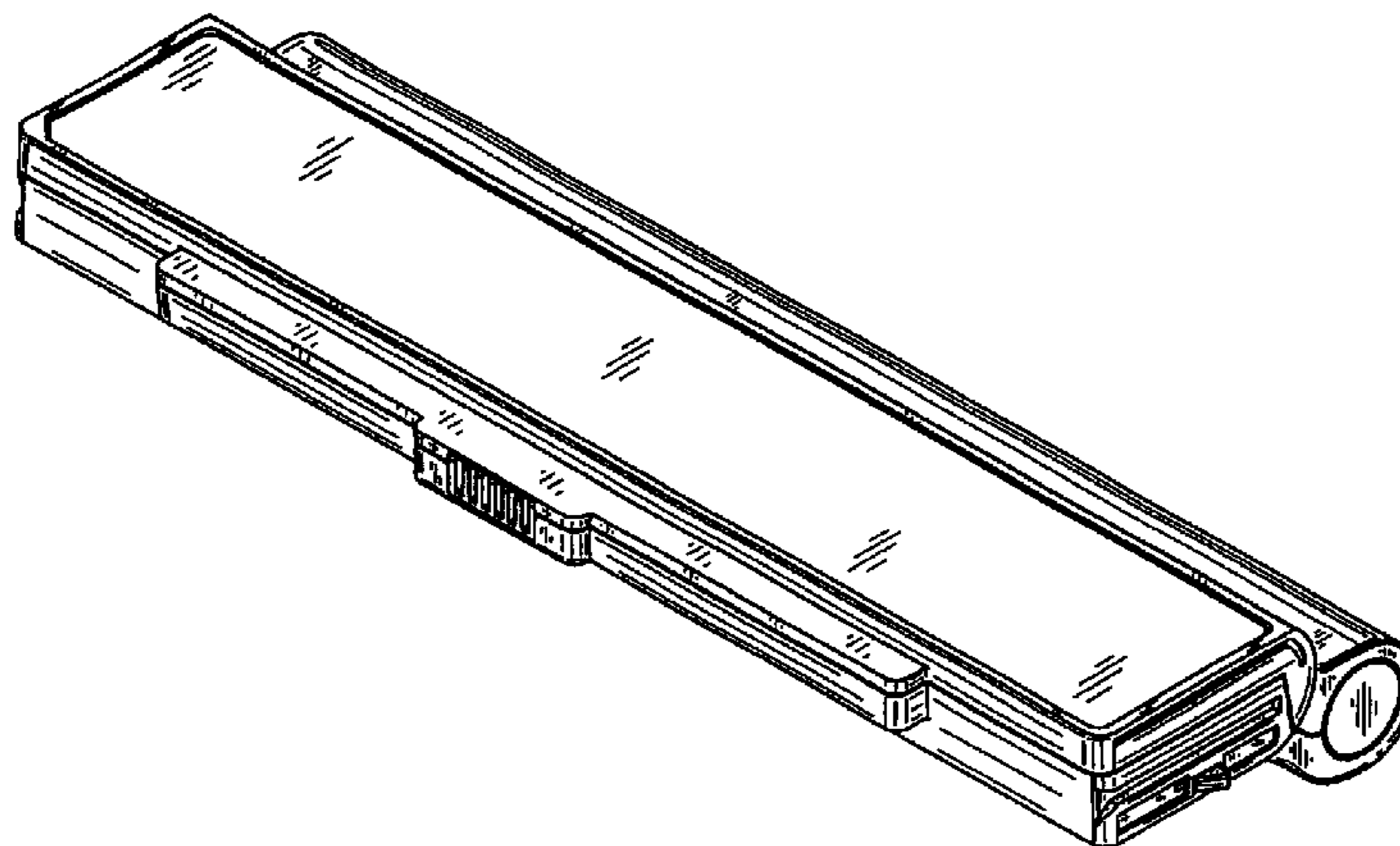


Fig. 1

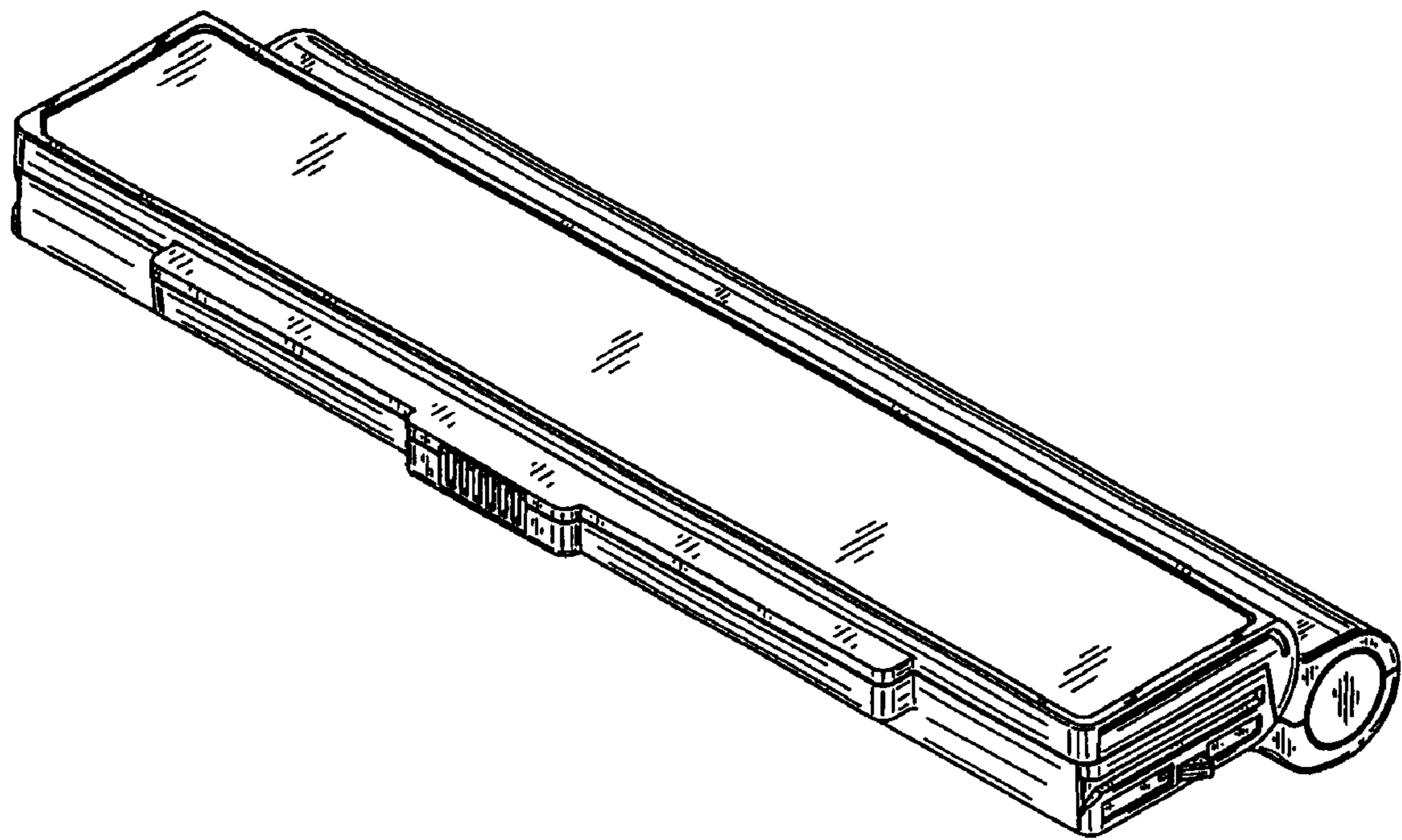


Fig.2

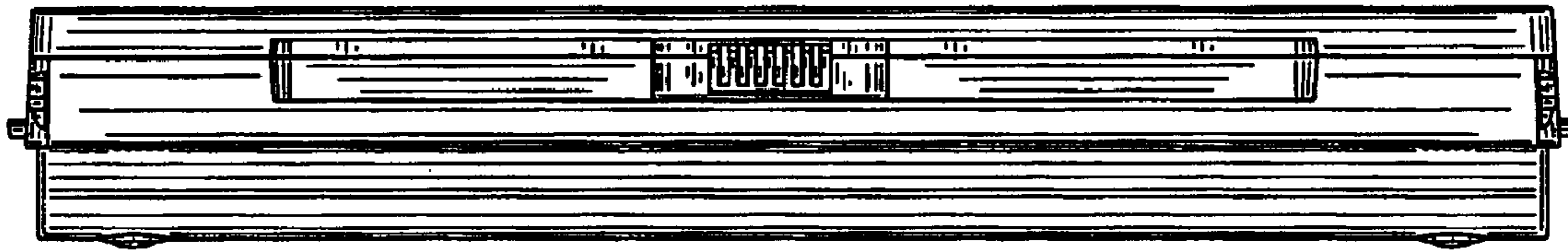


Fig.3

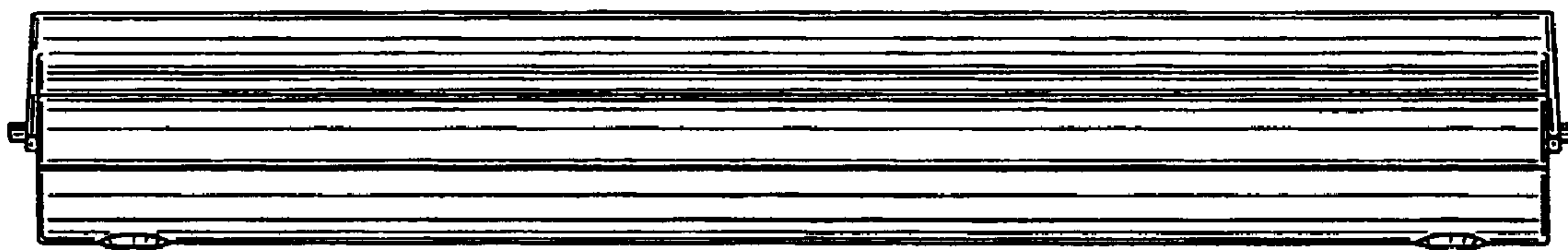


Fig.4

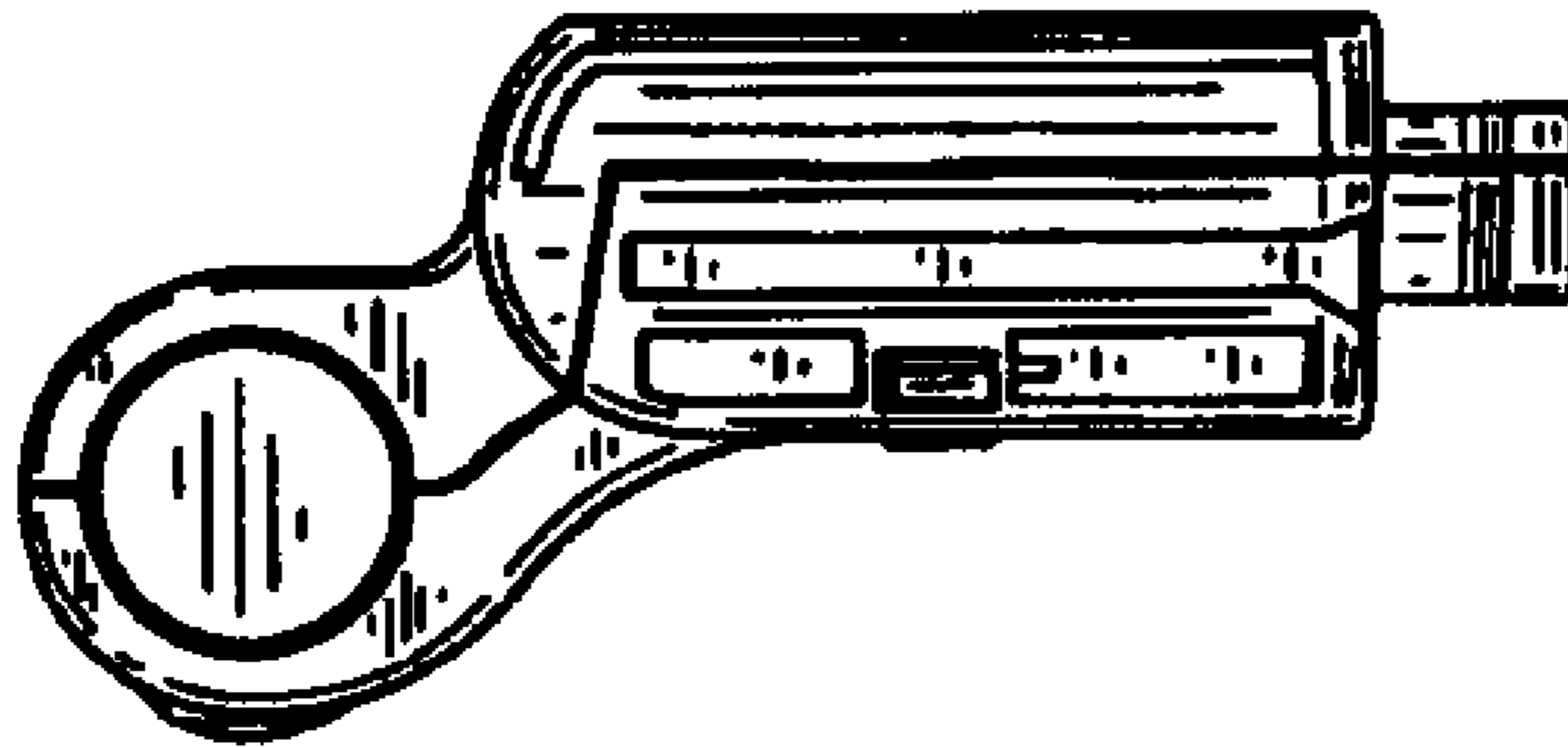


Fig.5

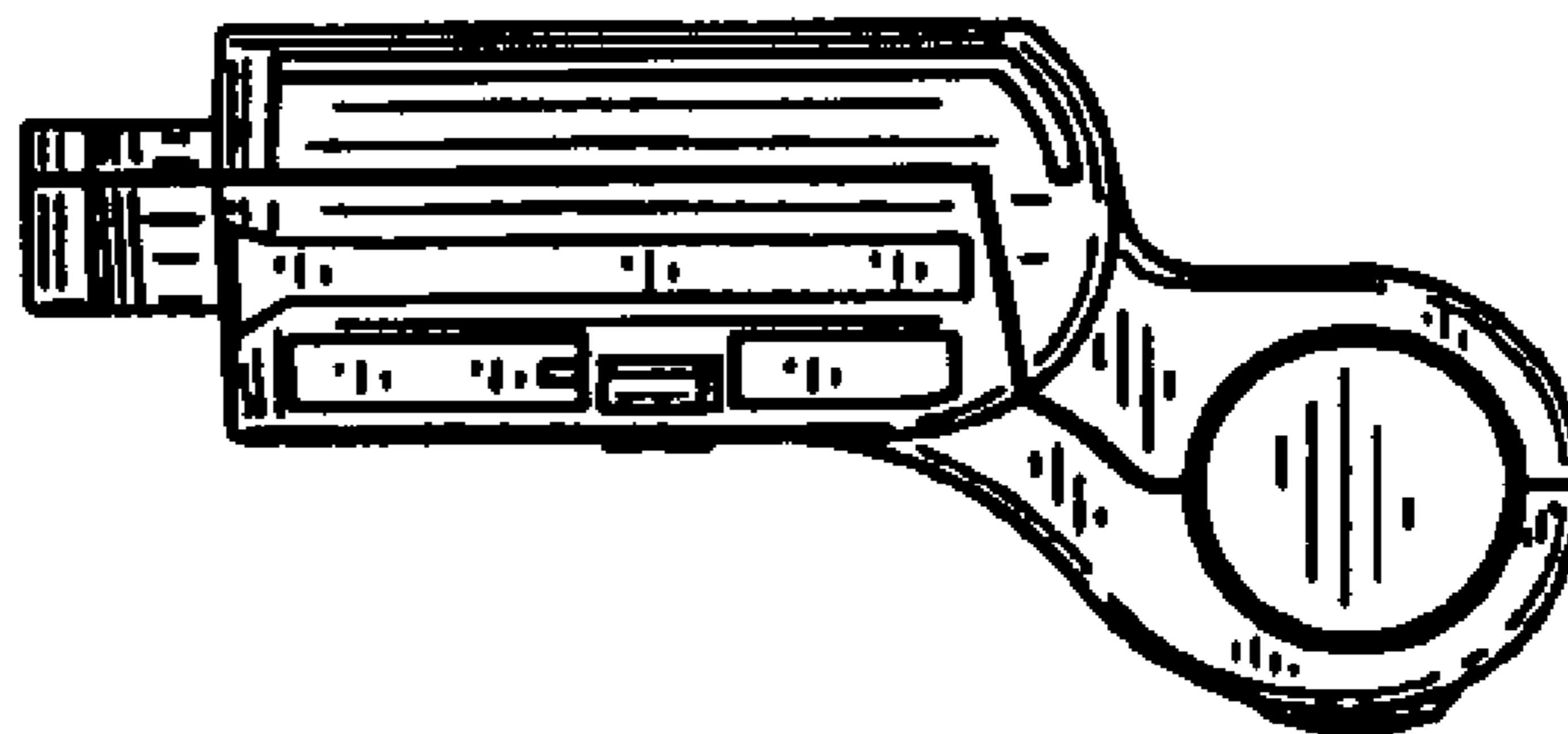


Fig.6

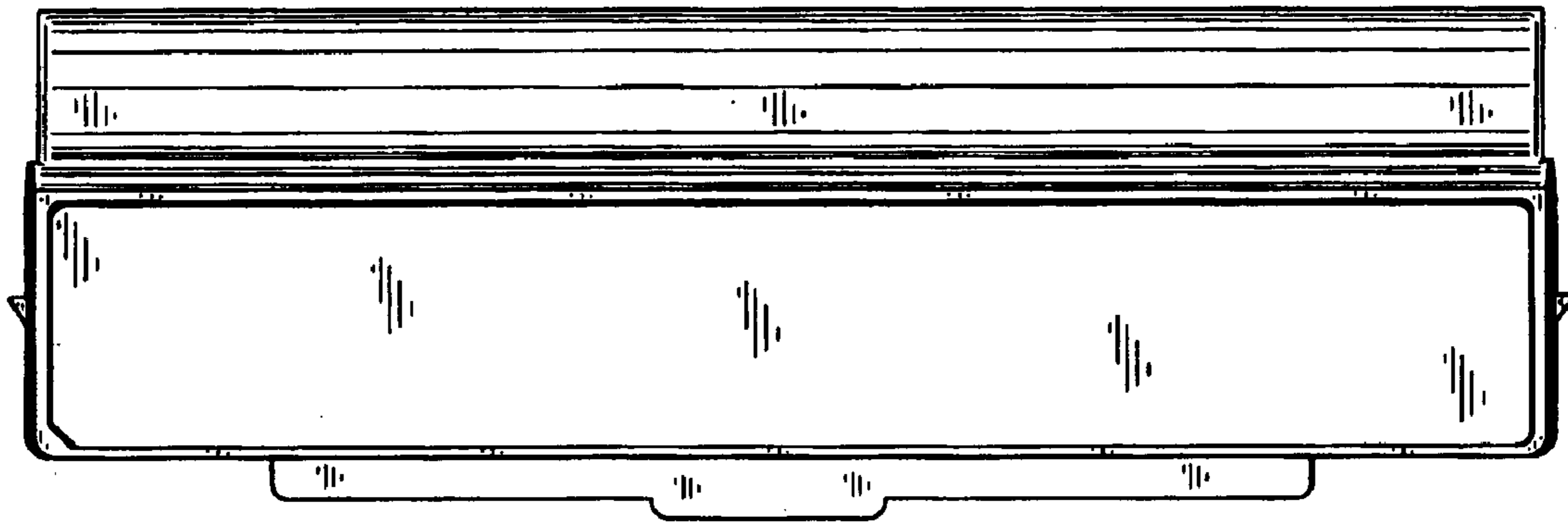


Fig.7

