



US00D521443S

(12) **United States Design Patent** (10) **Patent No.:** **US D521,443 S**
Parrish (45) **Date of Patent:** **** May 23, 2006**

(54) **SPOUT EXTENSION FOR RAIN GUTTER OF RECREATIONAL VEHICLE**

(76) Inventor: **Patrick Parrish**, 33 Centennial Heights Ct., Meaford, Ontario (CA), N4L 1E5

(**) Term: **14 Years**

(21) Appl. No.: **29/192,016**

(22) Filed: **Oct. 17, 2003**

(30) **Foreign Application Priority Data**

Apr. 23, 2003 (CA) 102809

(51) **LOC (8) Cl.** **12-16**

(52) **U.S. Cl.** **D12/400; D12/196; D23/267**

(58) **Field of Classification Search** D12/196,
D12/100, 103-105, 400; D23/267; D25/119;
52/11-16

See application file for complete search history.

(56) **References Cited**

U.S. PATENT DOCUMENTS

D327,874 S *	7/1992	Henneberger	D13/155
D334,380 S *	3/1993	Henneberger	D13/155
D378,602 S *	3/1997	Schwarzli	D20/8
D454,180 S *	3/2002	Wessels	D23/267
D475,440 S *	6/2003	Sawyer	D23/267
D482,433 S *	11/2003	Sawyer	D23/267
6,751,910 B1 *	6/2004	Richardson	52/11
6,880,295 B1 *	4/2005	Frey	52/16

* cited by examiner

Primary Examiner—Melody N. Brown

(74) *Attorney, Agent, or Firm*—Harness, Dickey & Pierce, P.L.C.

(57) **CLAIM**

The ornamental design for a spout extension for rain gutter of recreational vehicle, as shown and described.

DESCRIPTION

FIG. 1 is a rear perspective view illustrating the new ornamental design of a spout extension for rain gutter of recreational vehicle in an orientation rotated 90 degrees clockwise from a position of use;

FIG. 2 is a top plan view illustrating the new ornamental design of a spout extension for rain gutter of recreational vehicle in a position of use;

FIG. 3 is a front perspective view illustrating the new ornamental design of a spout extension for rain gutter of recreational vehicle in an orientation rotated 90 degrees counterclockwise from a position of use;

FIG. 4 is a front perspective view illustrating the new ornamental design of a spout extension for rain gutter of recreational vehicle in an upside-down orientation;

FIG. 5 is a rear and bottom perspective view illustrating the new ornamental design of a spout extension for rain gutter of recreational vehicle in a position of use;

FIG. 6 is a front and top perspective view illustrating the new ornamental design of a spout extension for rain gutter of recreational vehicle in a position of use;

FIG. 7 is another front and top perspective view illustrating the new ornamental design of a spout extension for rain gutter of recreational vehicle rotated in the opposite direction in a position of use;

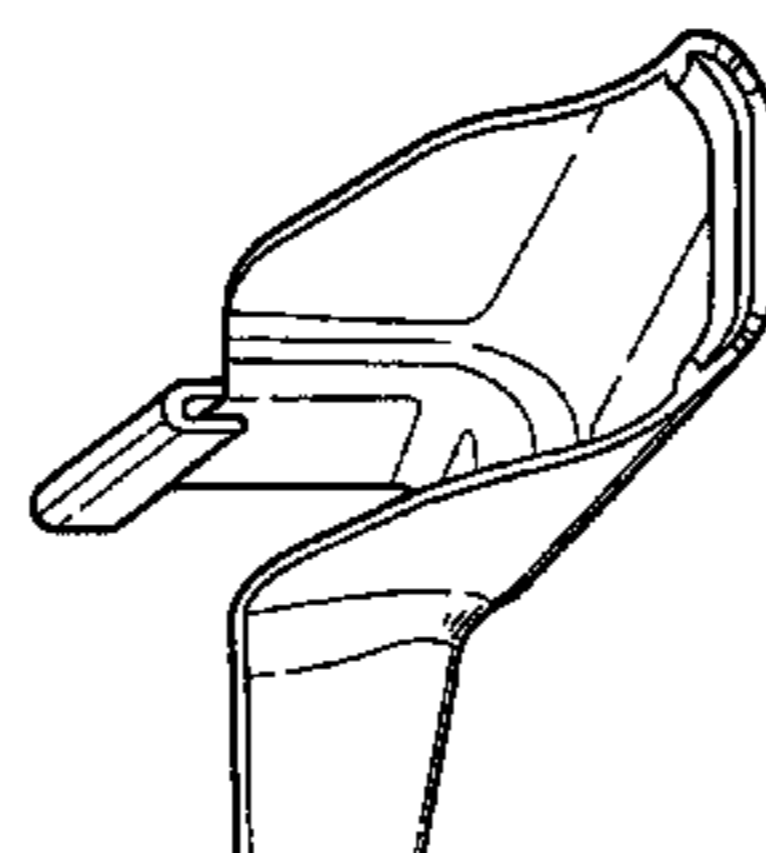
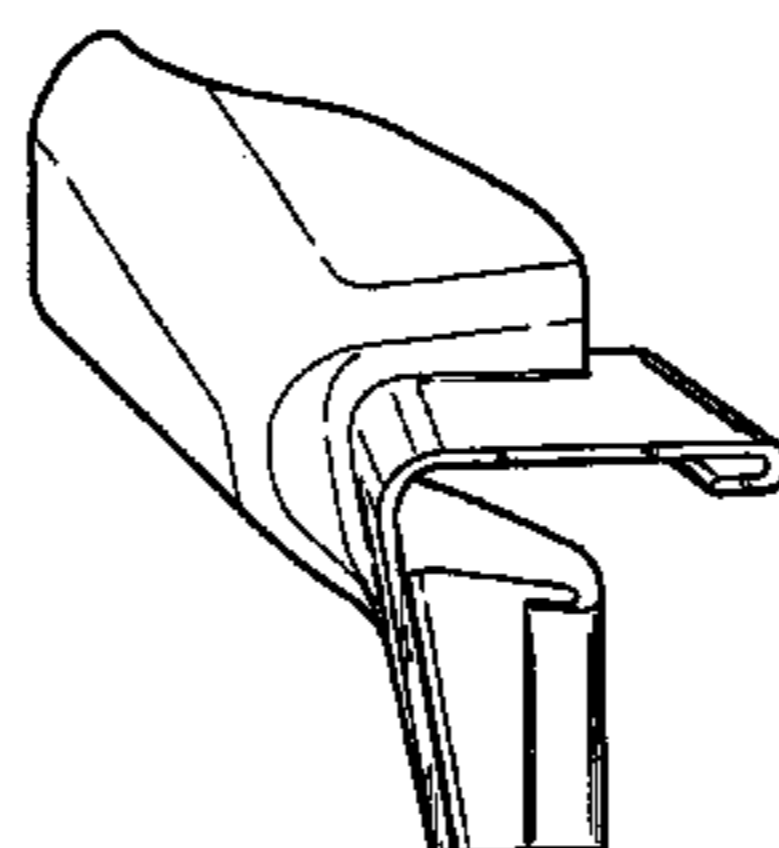
FIG. 8 is a rear and top perspective view illustrating the new ornamental design of a spout extension for rain gutter of recreational vehicle in a position of use;

FIG. 9 is a front elevational view illustrating the new ornamental design of a spout extension for rain gutter of recreational vehicle in the installed environment of use upon a gutter. The broken lines shown in this Figure are for illustrative purposes only and form no part of the claimed design;

FIG. 10 is a front perspective view illustrating the new ornamental design of a spout extension for rain gutter of recreational vehicle in the installed environment of use upon a gutter. The broken lines shown in this Figure are for illustrative purposes only and form no part of the claimed design; and,

FIG. 11 is a bottom and rear perspective view illustrating the new ornamental design of a spout extension for rain gutter of recreational vehicle in the installed environment of use upon a gutter. The broken lines shown in this Figure are for illustrative purposes only and form no part of the claimed design.

1 Claim, 4 Drawing Sheets



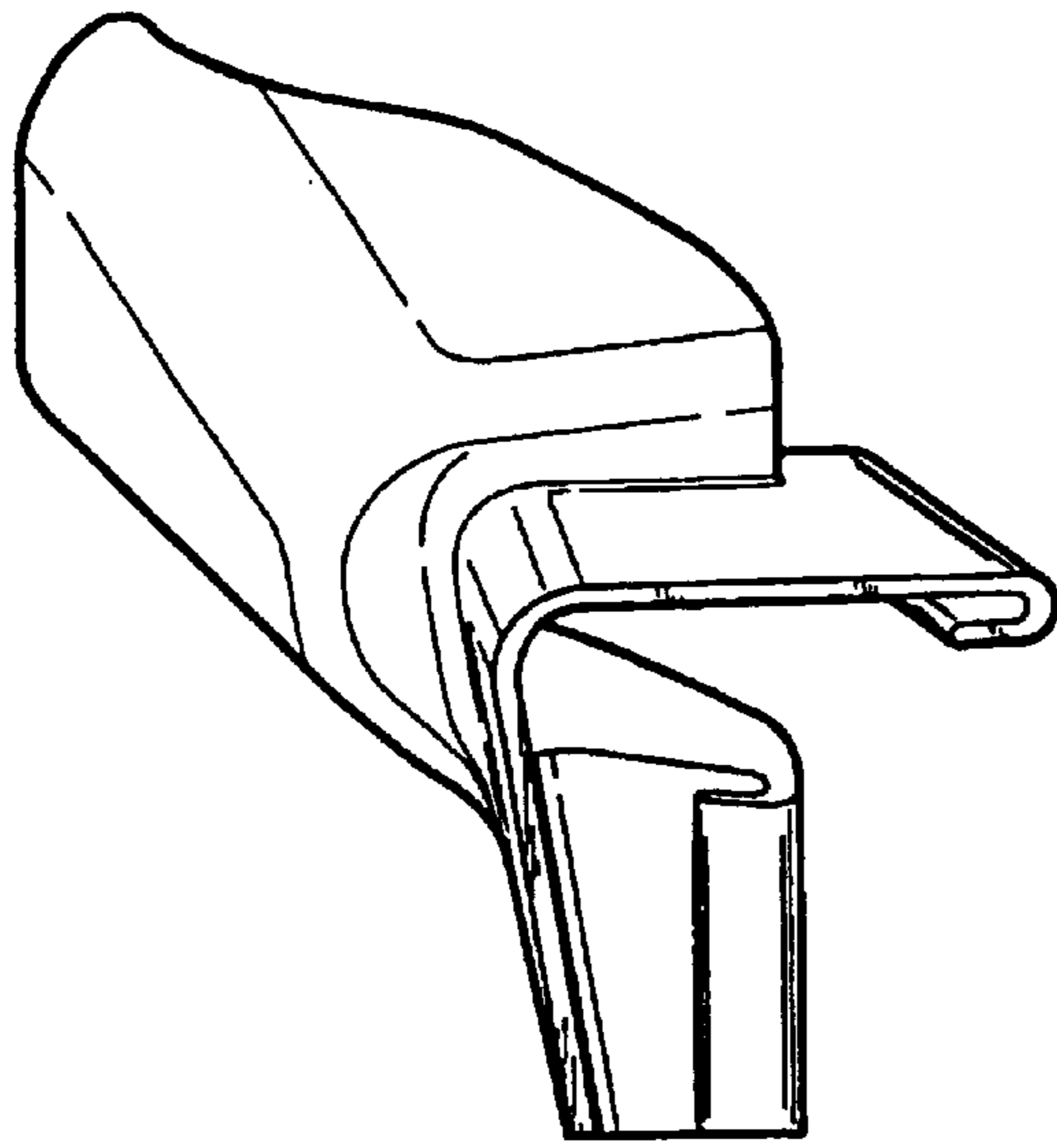


FIG - 1

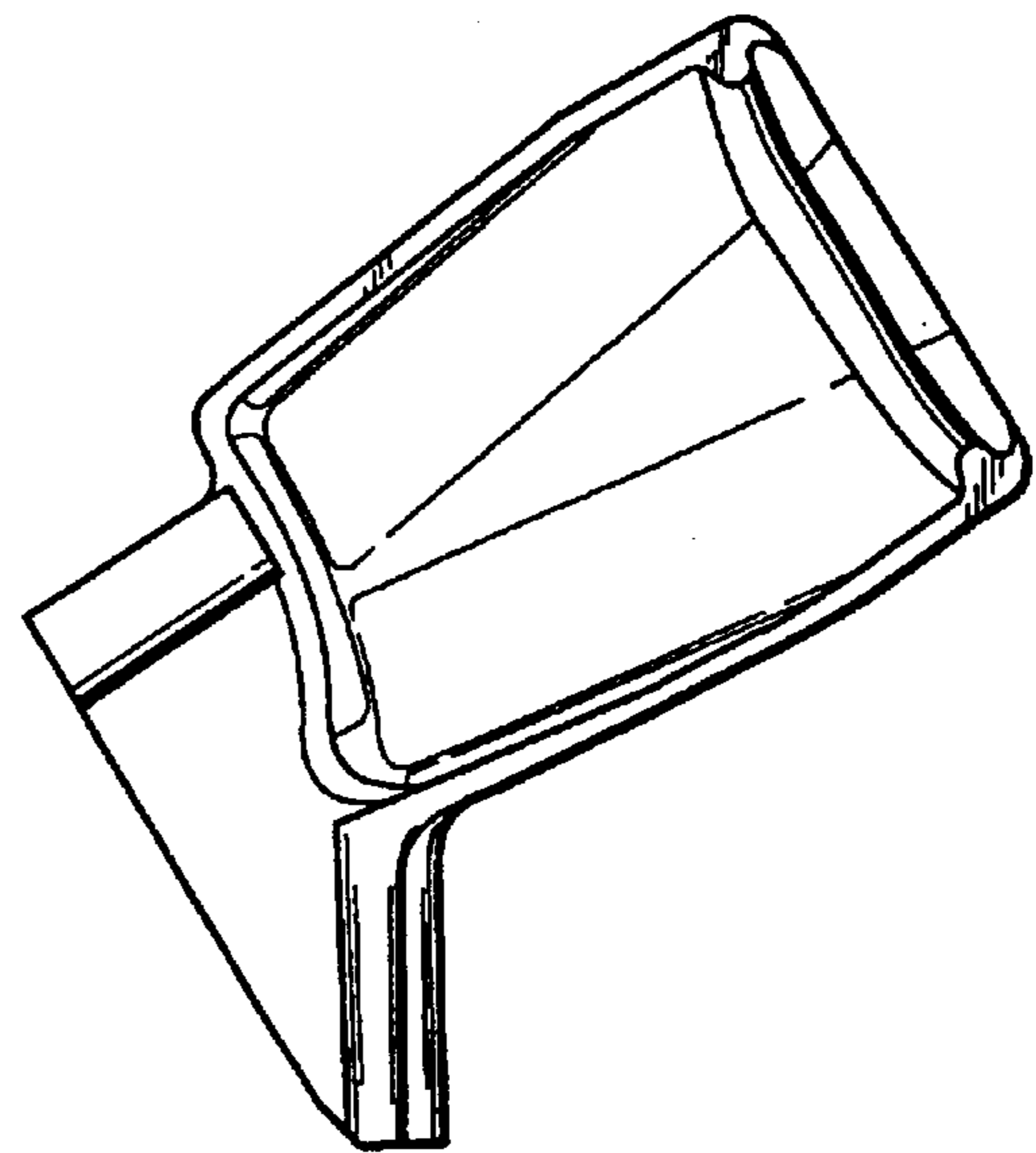


FIG - 2

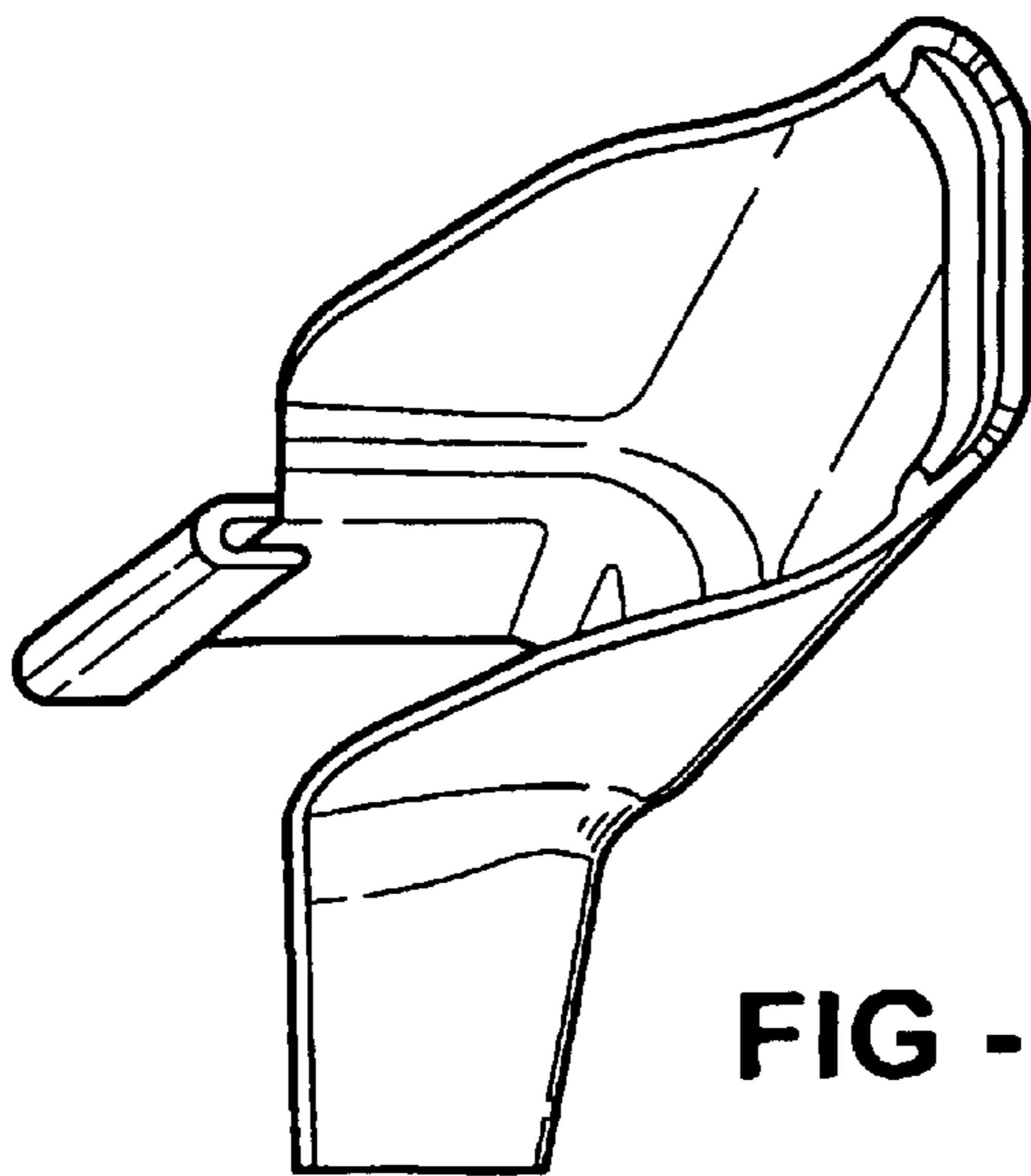


FIG - 3

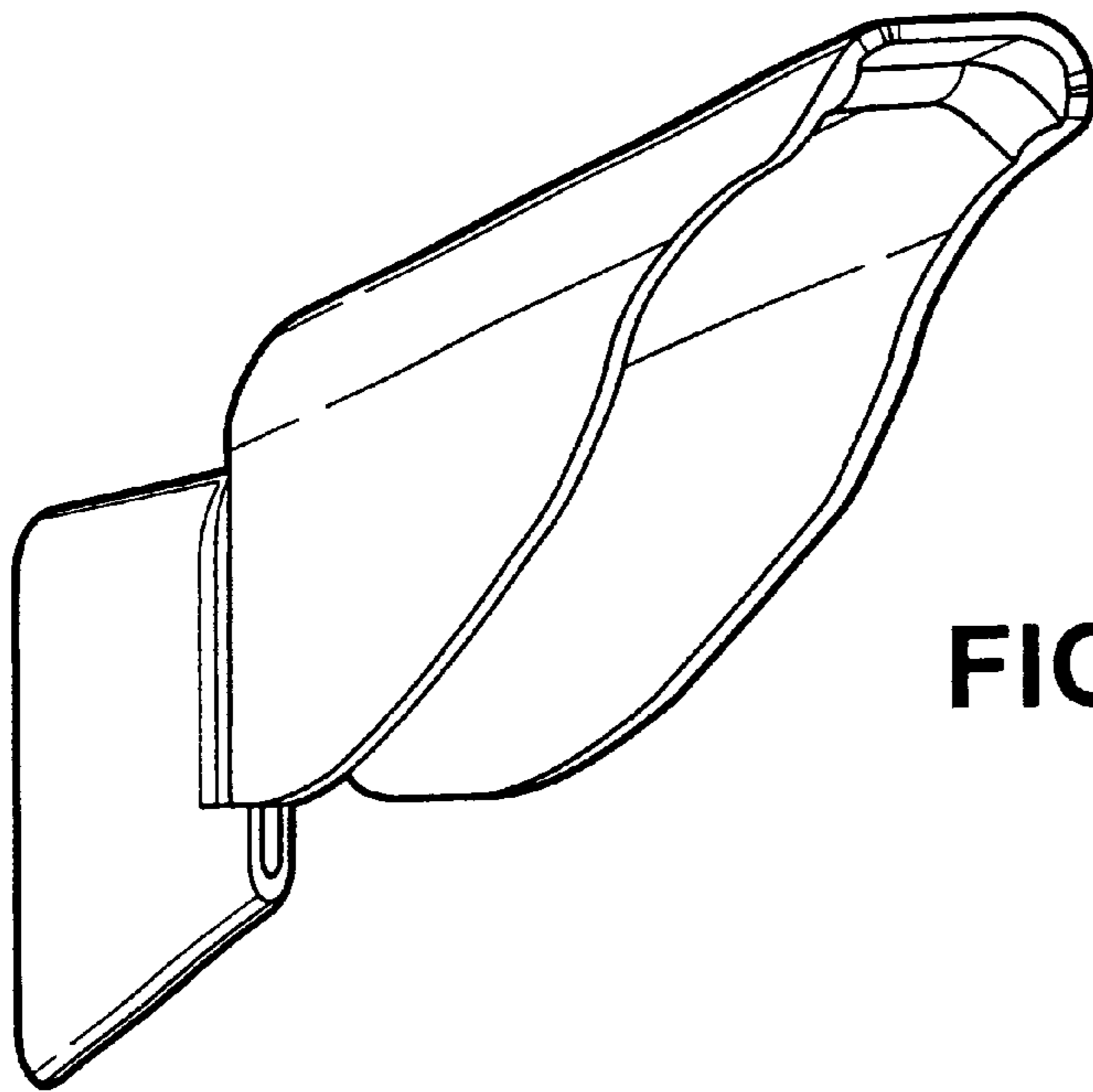


FIG - 4

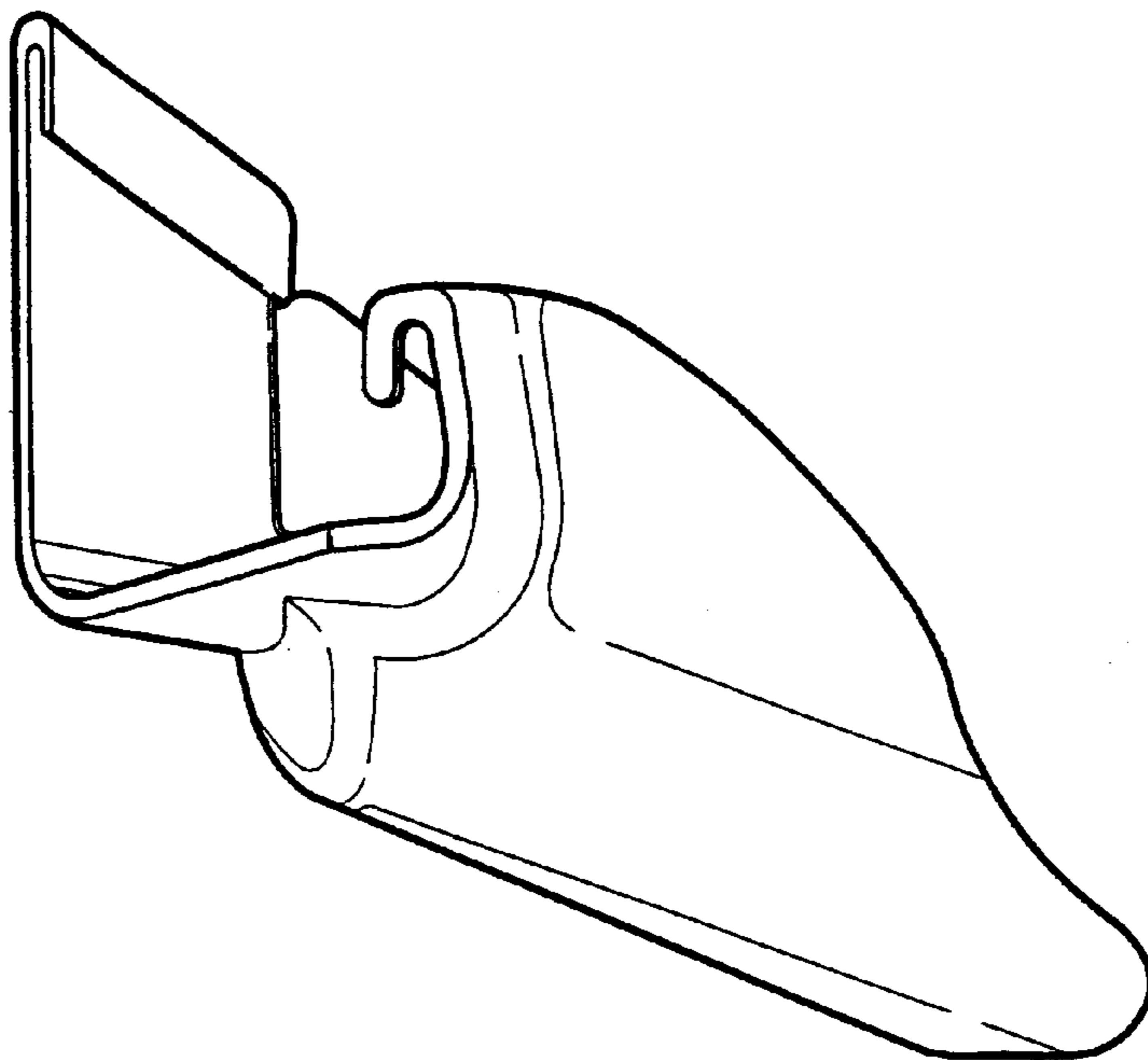


FIG - 5

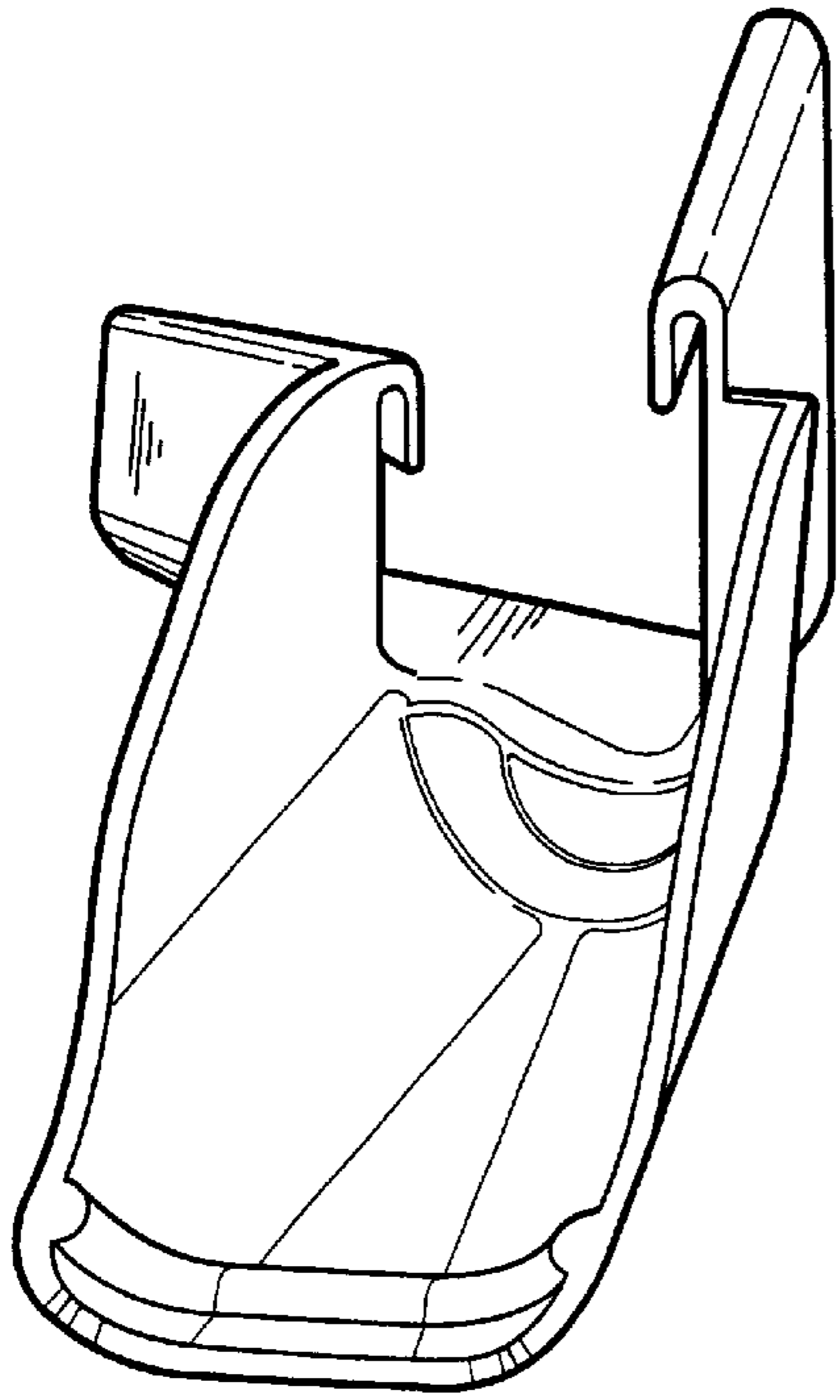


FIG - 6

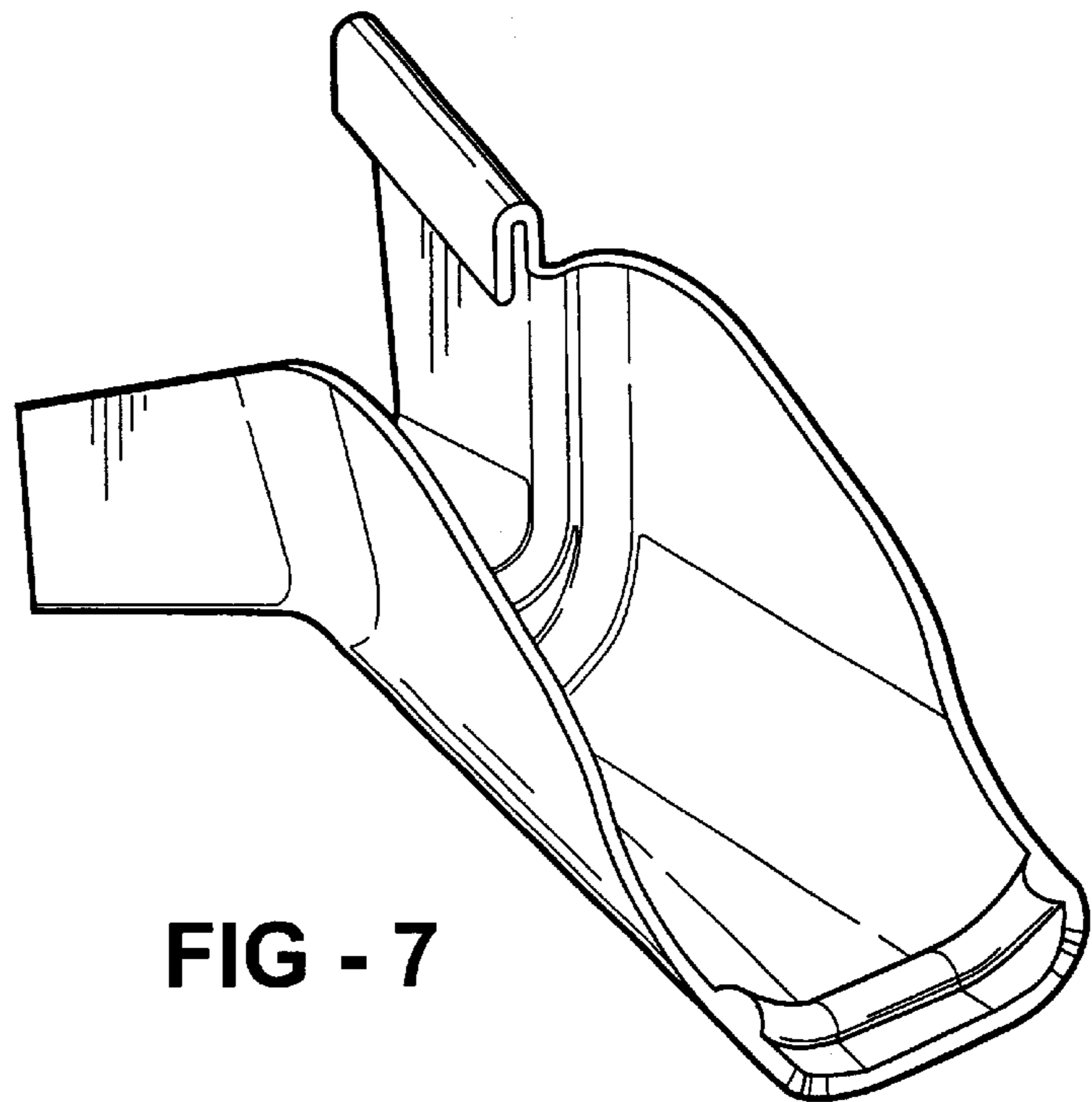


FIG - 7

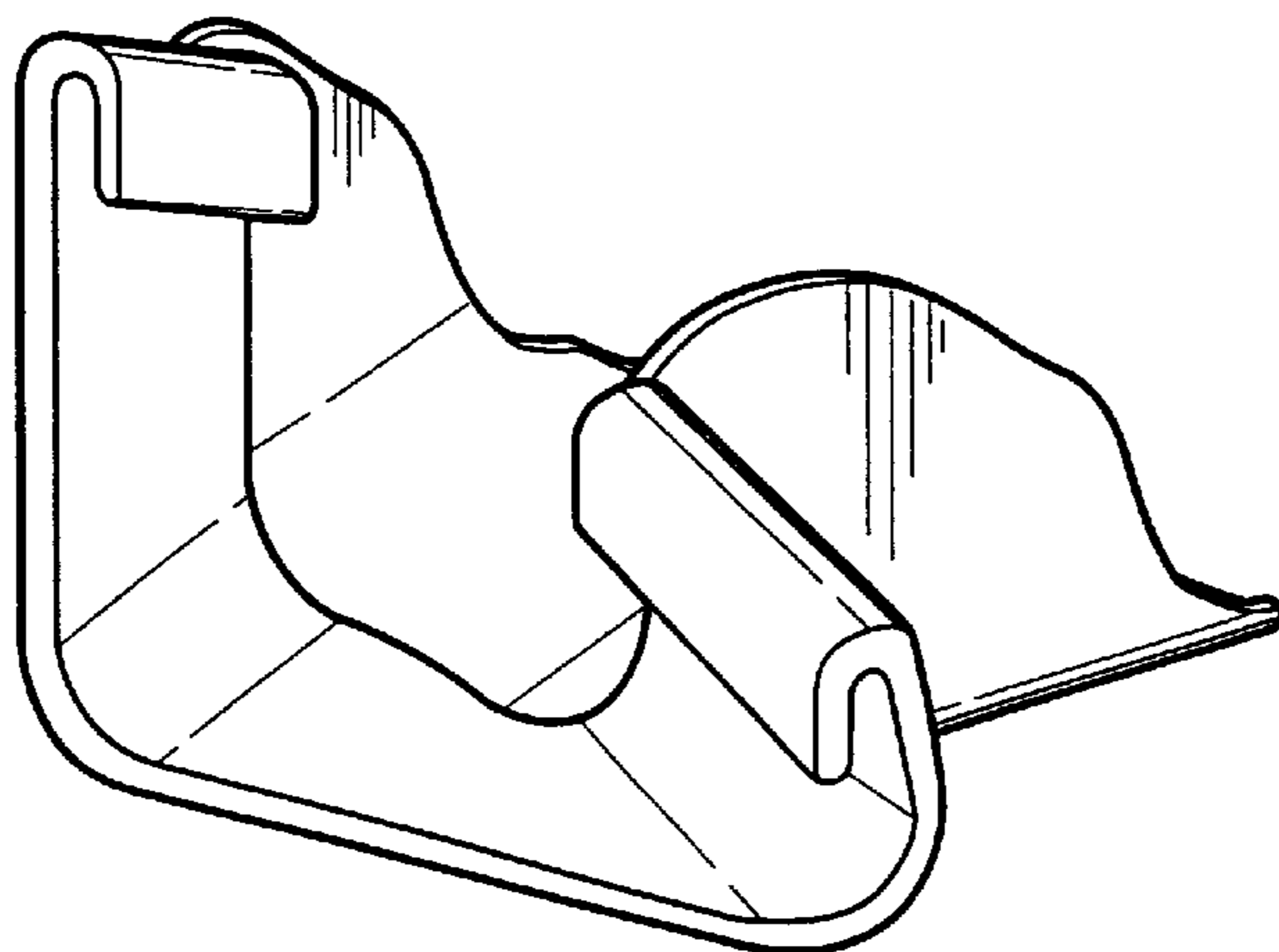


FIG - 8

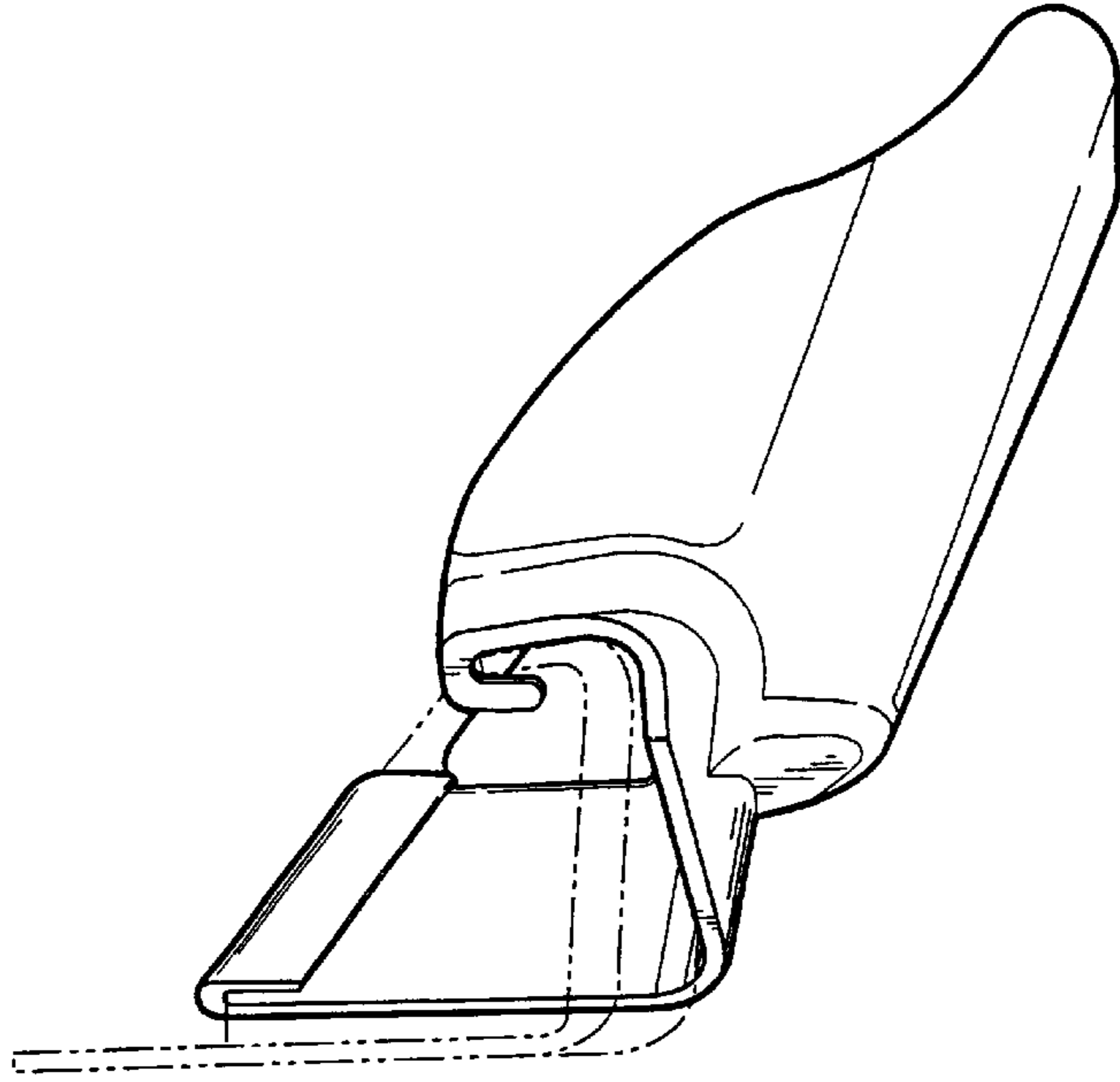


FIG - 11

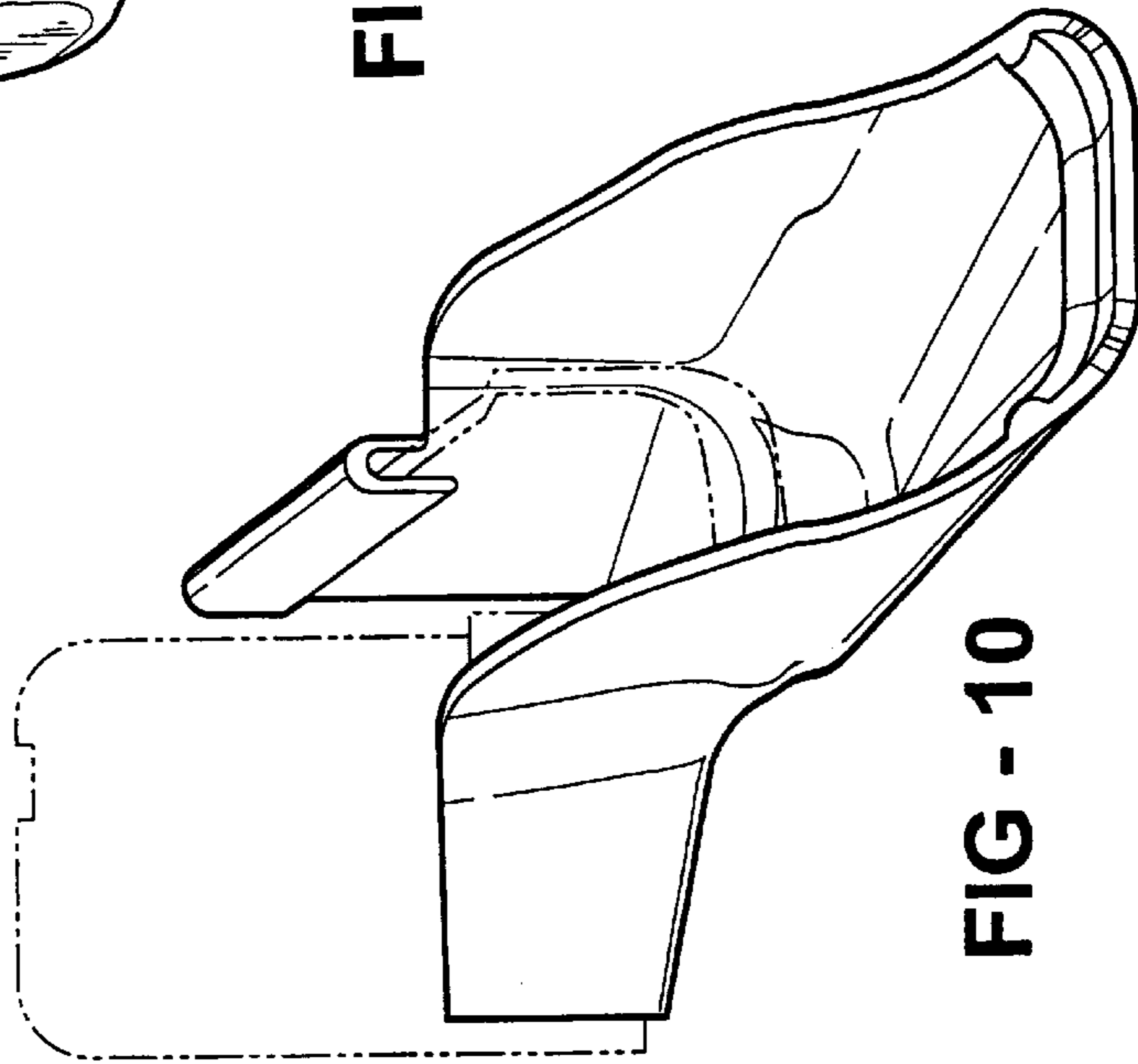


FIG - 10

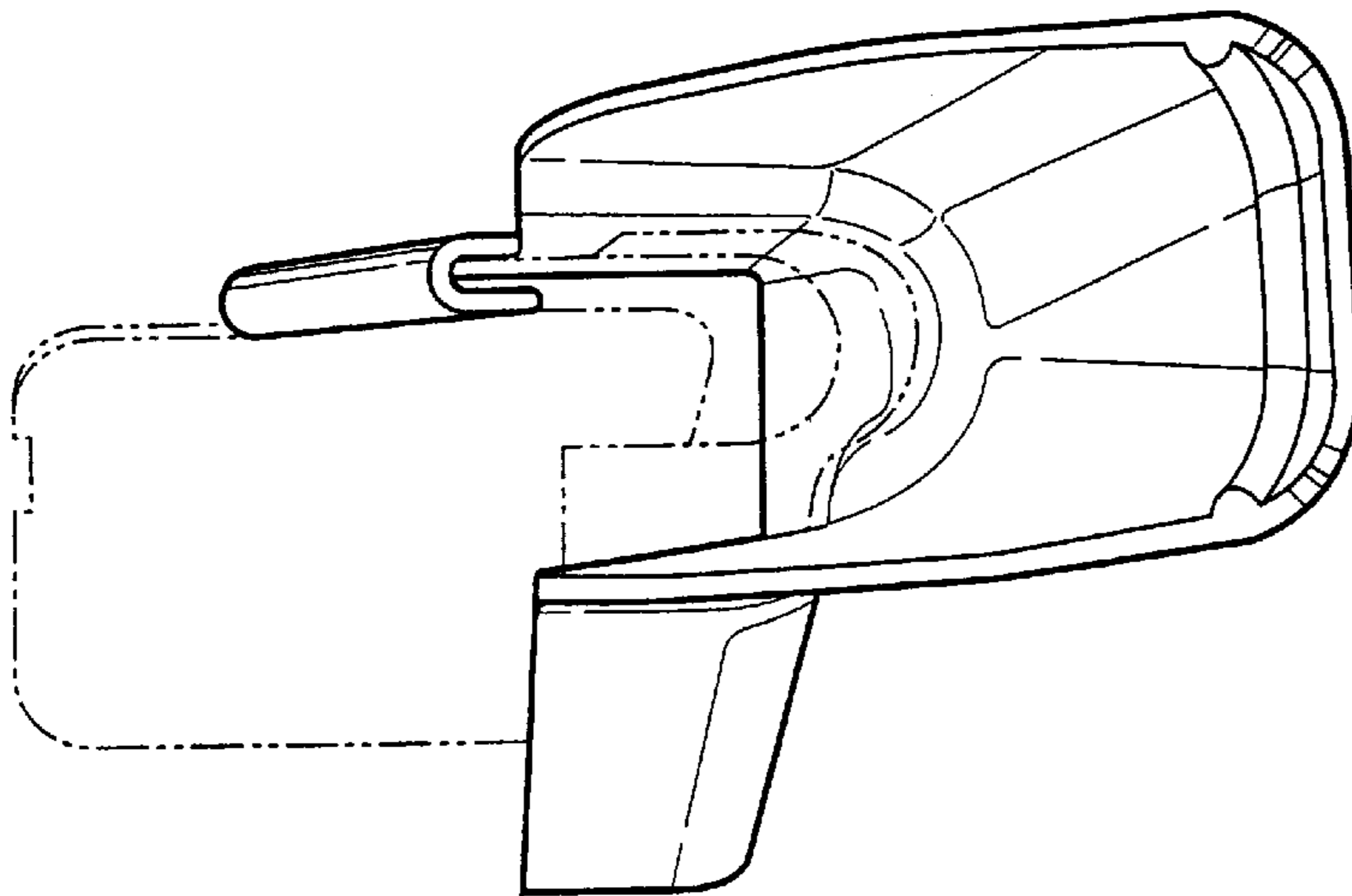


FIG - 9