

US00D521439S

(12) **United States Design Patent**
Chapman et al.

(10) **Patent No.:** **US D521,439 S**

(45) **Date of Patent:** **** May 23, 2006**

(54) **RUNNING BOARD BRACKET**

(75) Inventors: **Timothy W. Chapman**, Etobicoke (CA); **Changize Sadr**, North York (CA); **Franz Gangl**, deceased, late of King (CA); by **Connie Gangl**, legal representative, King (CA); **Adrian Stanescu**, Georgetown (CA)

(73) Assignee: **Salflex Polymers Ltd.**, Weston (CA)

(**) Term: **14 Years**

(21) Appl. No.: **29/238,622**

(22) Filed: **Sep. 20, 2005**

Related U.S. Application Data

(62) Division of application No. 10/376,452, filed on Mar. 3, 2003, now abandoned.

(51) **LOC (8) Cl.** **12-06**

(52) **U.S. Cl.** **D12/223**

(58) **Field of Classification Search** D12/223,
D12/203; D8/349, 354–356; 248/300; 280/163,
280/164.1

See application file for complete search history.

(56) **References Cited**

U.S. PATENT DOCUMENTS

890,963	A	6/1908	Coffin	
D244,255	S	* 5/1977	Snyder	D8/355
D316,394	S	* 4/1991	Carr	D12/203
5,193,829	A	3/1993	Holloway et al.	
D339,782	S	* 9/1993	Yoder	D12/223
D340,018	S	* 10/1993	Yoder	D12/223
D340,019	S	* 10/1993	Yoder	D12/223
5,895,064	A	4/1999	Laubach	

D422,961	S	* 4/2000	Huckaby et al.	D12/223
6,375,207	B1	4/2002	Dean et al.	
6,412,799	B1	7/2002	Schrempf	
6,533,302	B1	3/2003	Scruggs et al.	
6,588,782	B1	7/2003	Coomber et al.	
6,592,135	B1	7/2003	Hendrix	
6,612,595	B1	9/2003	Storer	
6,688,621	B1	2/2004	Benirschke	
D494,117	S	* 8/2004	Ruffin	D12/203

* cited by examiner

Primary Examiner—Melody N. Brown

(74) *Attorney, Agent, or Firm*—Bereskin & Parr

(57) **CLAIM**

The ornamental design for a running board bracket, as shown and described.

DESCRIPTION

FIG. 1 is a perspective view from the top and to one side of a running board bracket in accordance with the design;

FIG. 2 is a perspective view from the bottom and to one side of the running board bracket of FIG. 1

FIG. 3 is a front view of the running board bracket of FIG. 1;

FIG. 4 is a right side view of the running board bracket of FIG. 1;

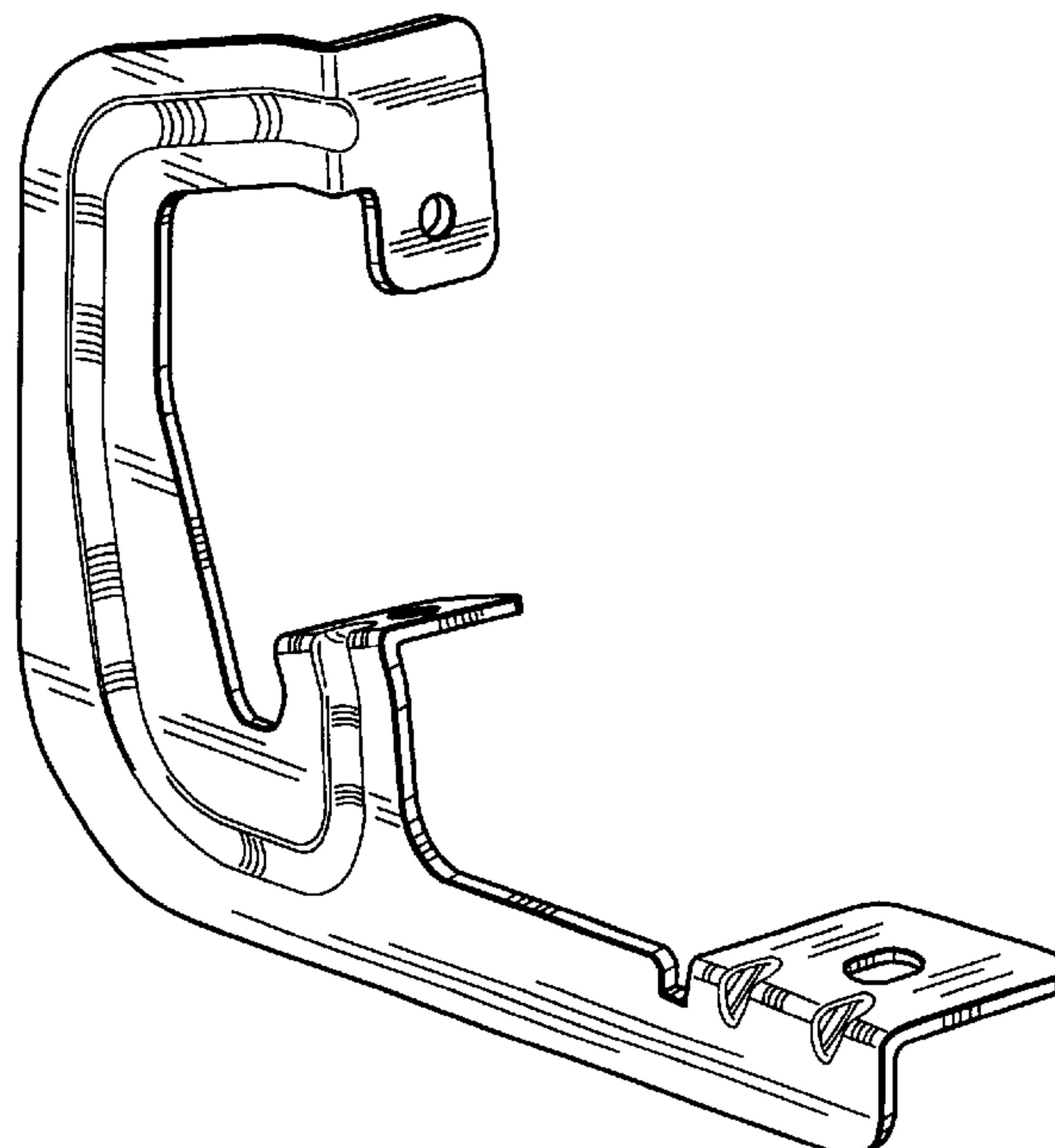
FIG. 5 is a rear view of the running board bracket of FIG. 1;

FIG. 6 is a left side view of the running board bracket of FIG. 1;

FIG. 7 is a top view of the running board bracket of FIG. 1; and,

FIG. 8 is a bottom view of the running board bracket of FIG. 1.

1 Claim, 3 Drawing Sheets



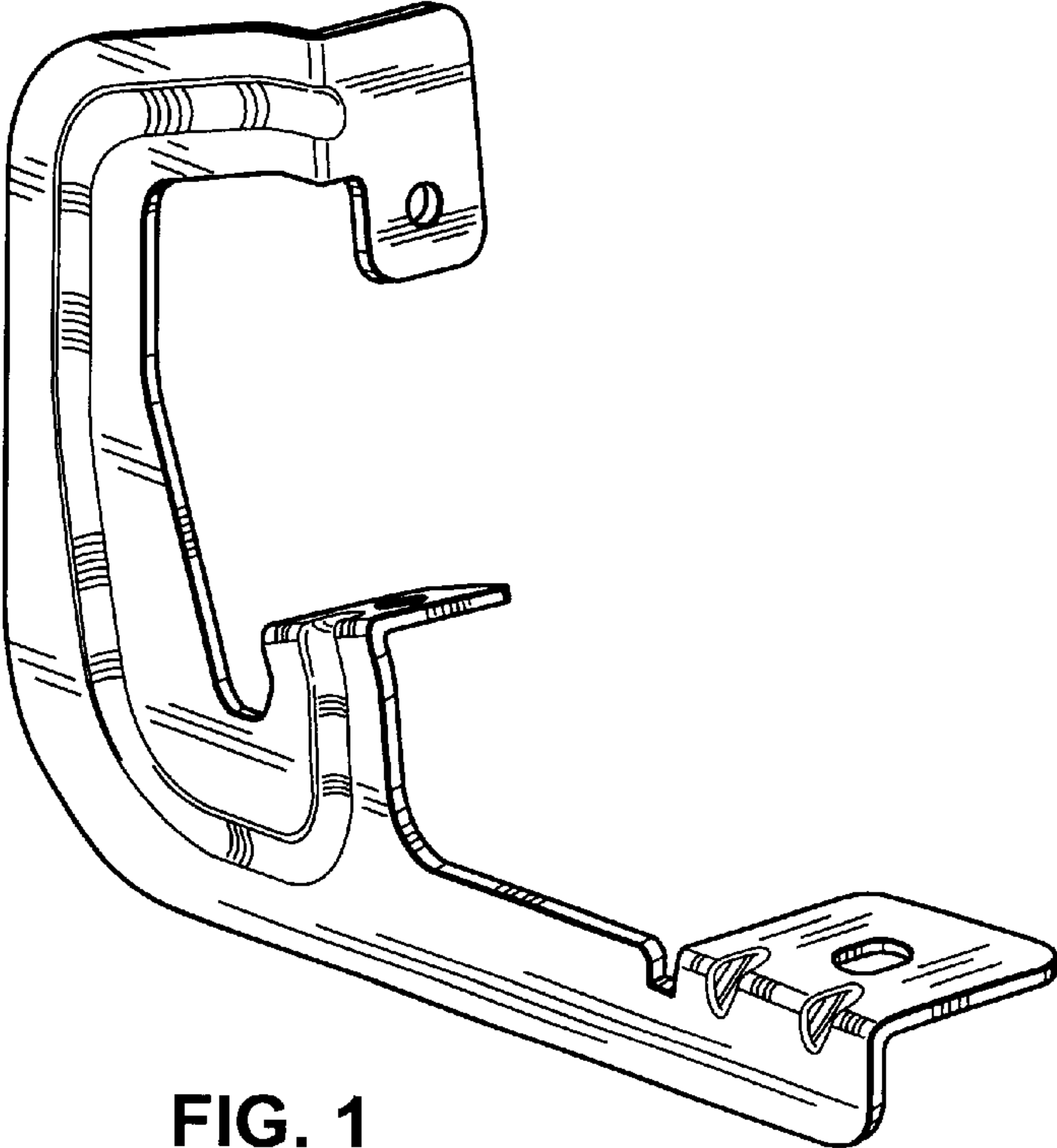


FIG. 1

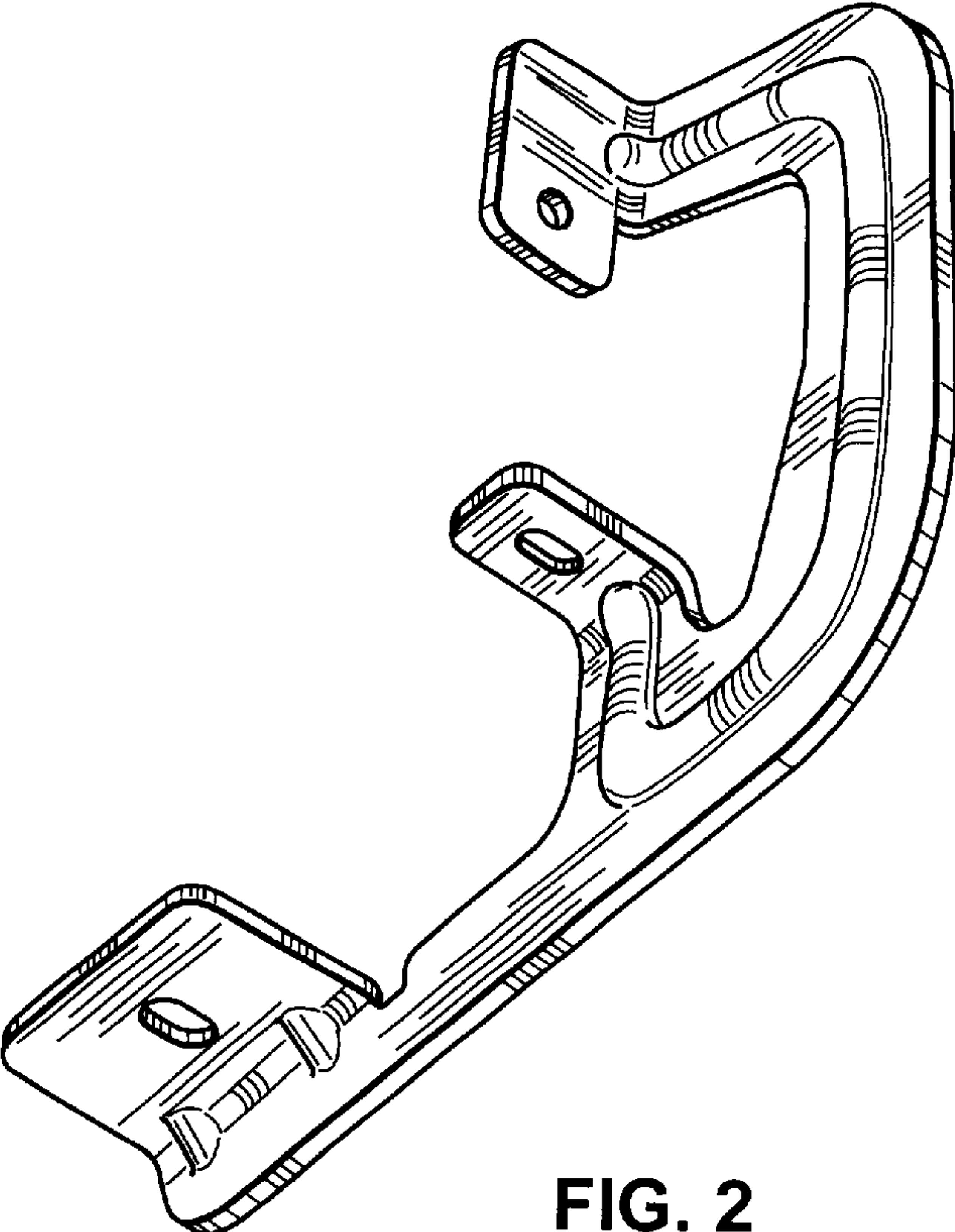


FIG. 2

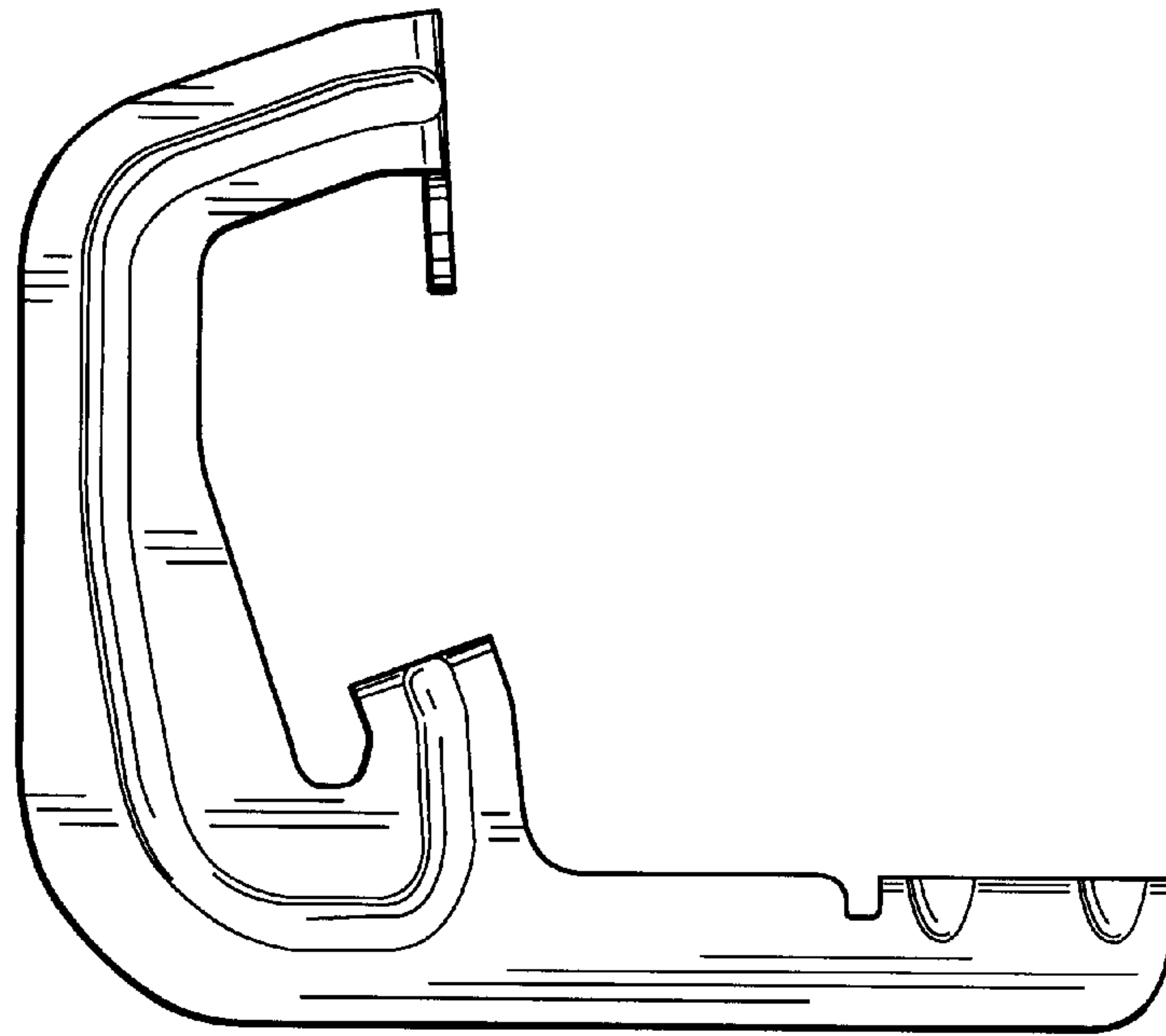


FIG. 3

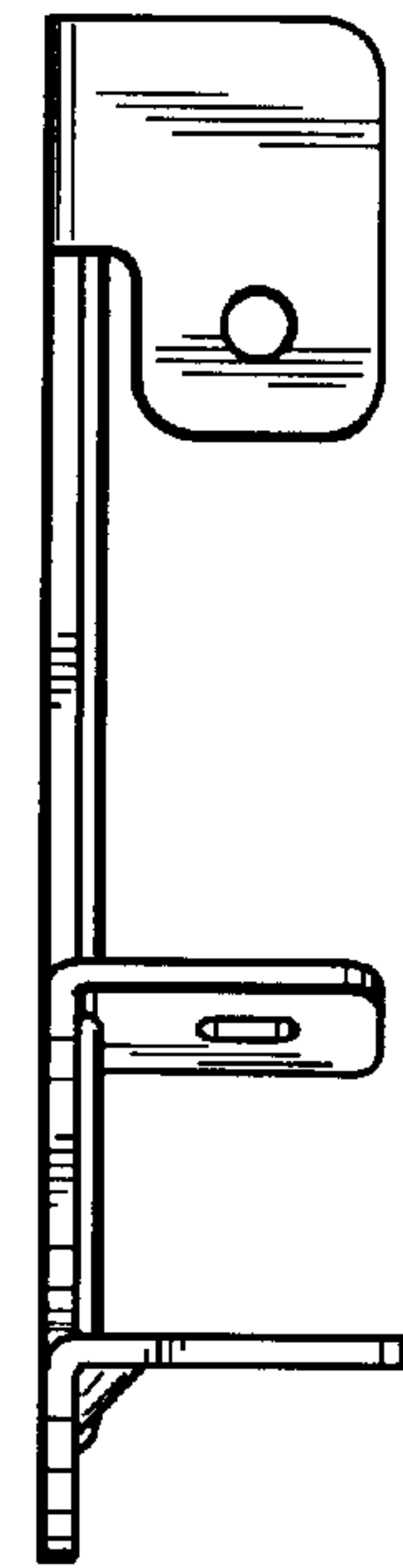


FIG. 4

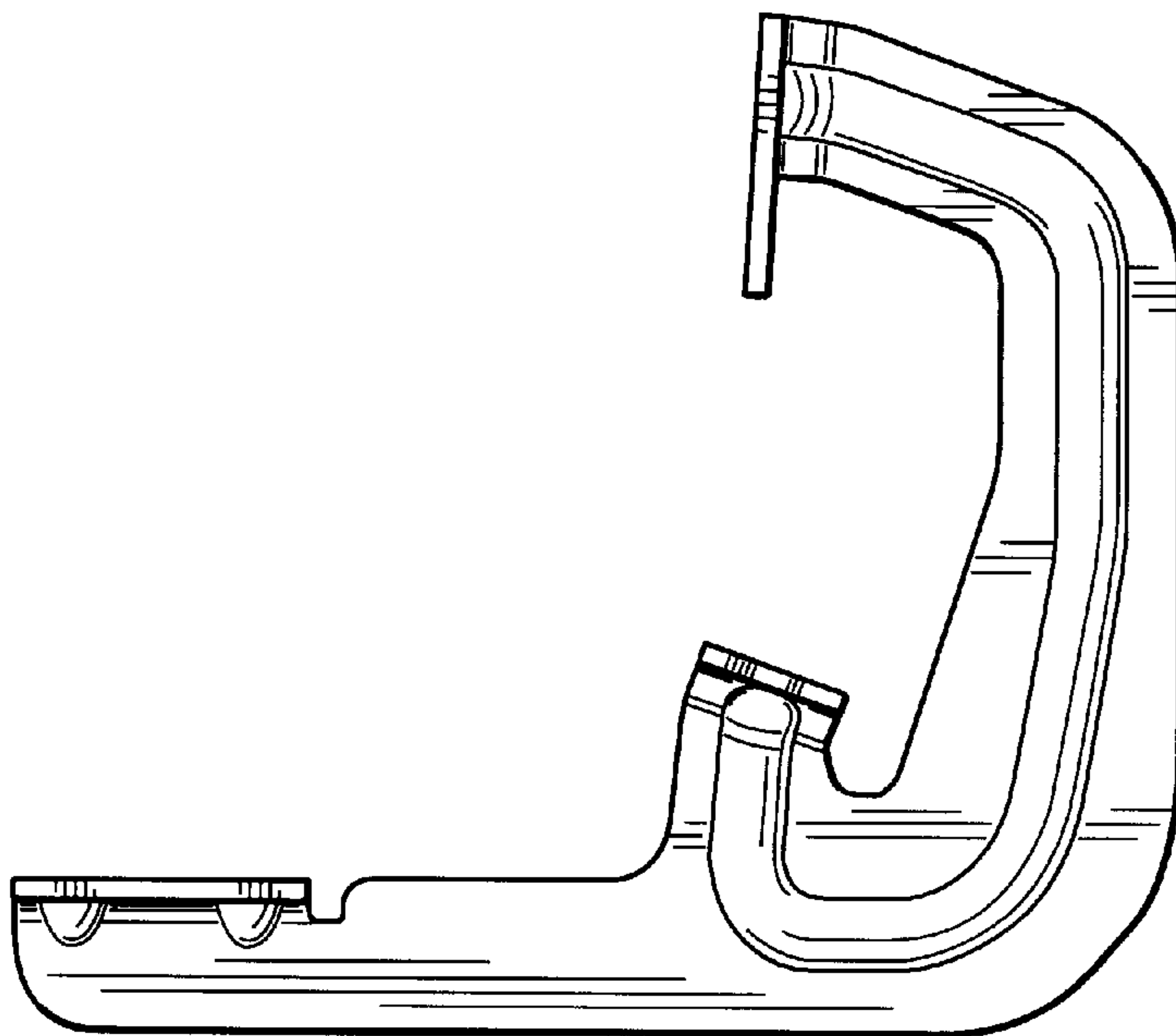


FIG. 5

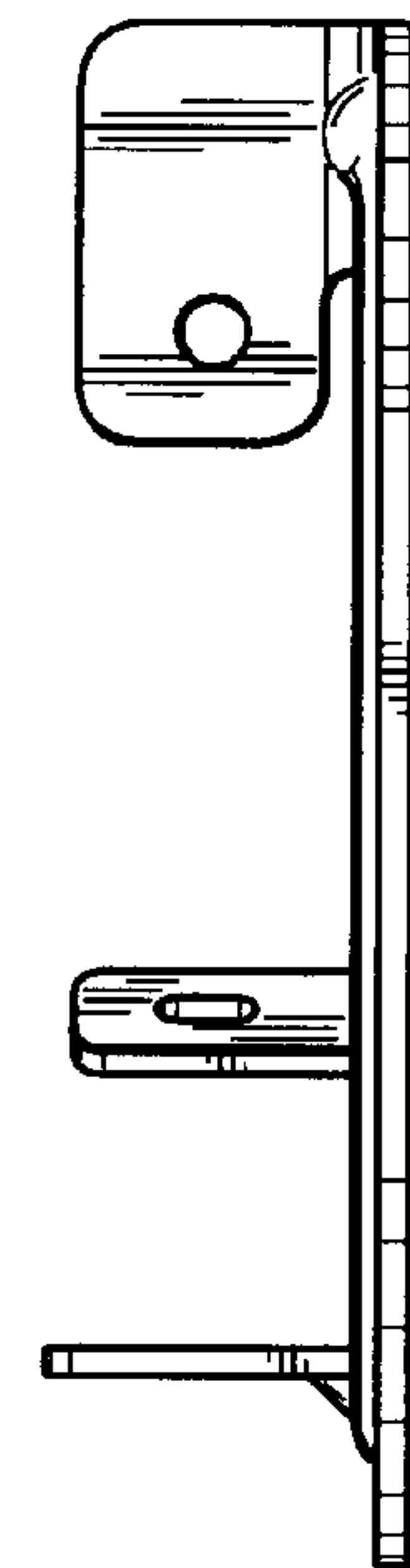


FIG. 6

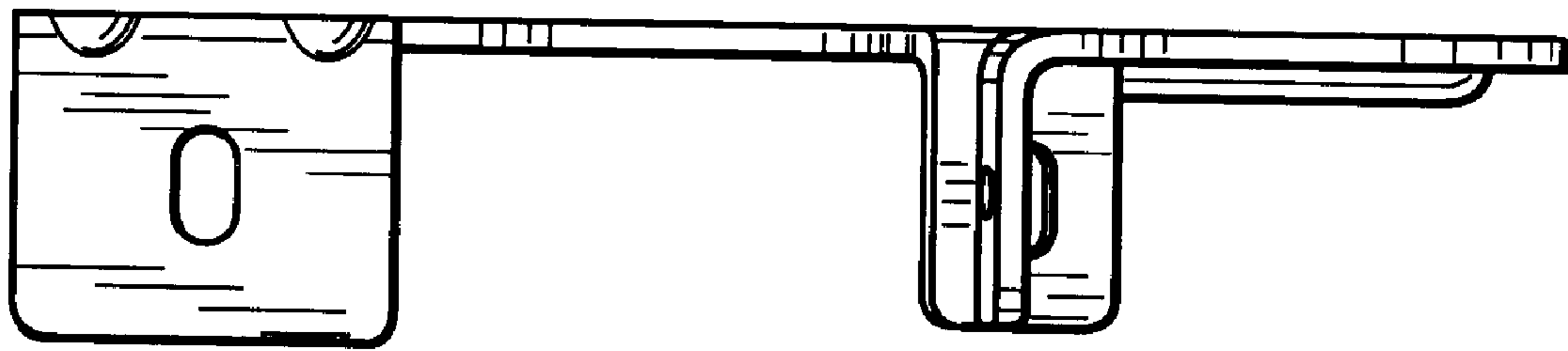


FIG. 7

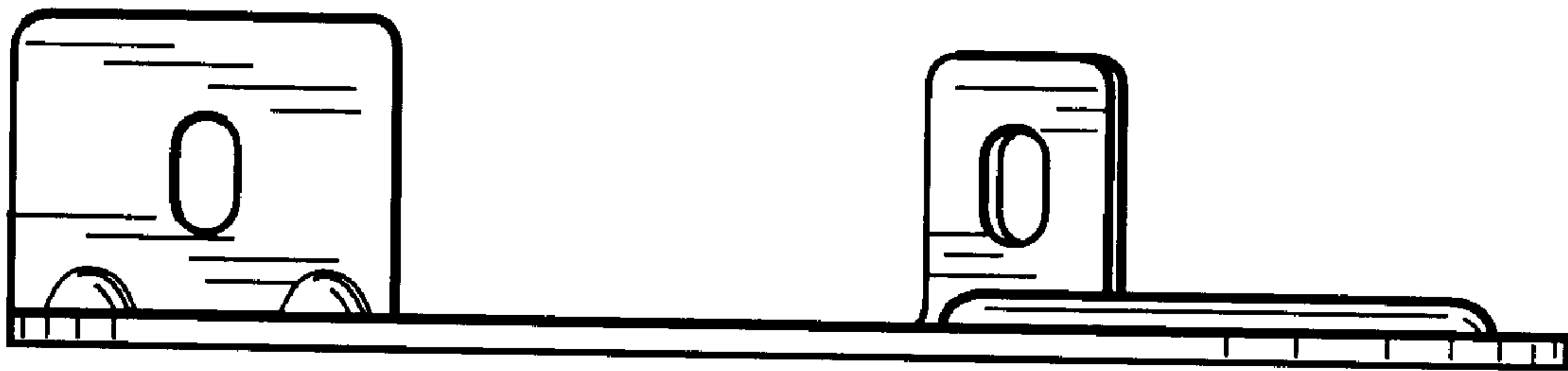


FIG. 8