

US00D521436S

(12) **United States Design Patent**
Meier

(10) **Patent No.:** **US D521,436 S**

(45) **Date of Patent:** **** May 23, 2006**

(54) **TIRE RIM**

(75) Inventor: **Manfred Meier**, Radolfzell (DE)

(73) Assignee: **Sport-Service-Lorinser Sport Liche, Autoausrüstung GmbH**, Waiblingen (DE)

(**) Term: **14 Years**

(21) Appl. No.: **29/217,728**

(22) Filed: **Nov. 22, 2004**

(30) **Foreign Application Priority Data**

May 27, 2004 (EM) 000183199

(51) **LOC (8) Cl.** **12-16**

(52) **U.S. Cl.** **D12/209**

(58) **Field of Classification Search** D12/204–213;
301/37.101, 64.101, 65
See application file for complete search history.

(56) **References Cited**

U.S. PATENT DOCUMENTS

D386,738 S	11/1997	Doyle	D12/209
D408,003 S	4/1999	Sacco et al.	D12/209
D436,572 S	1/2001	Brown	D12/209
D440,933 S	4/2001	Vian	D12/209
D451,061 S	* 11/2001	Ishihara	D12/209
D451,065 S	* 11/2001	Braun	D12/211
D453,132 S	* 1/2002	Chen	D12/209
D453,913 S	* 2/2002	Minamisawa	D12/209
D463,347 S	* 9/2002	Takezawa	D12/209
D472,509 S	* 4/2003	Laengerer	D12/209
D473,506 S	* 4/2003	Laengerer	D12/211

D475,006 S	*	5/2003	Yoshida	D12/209
D477,556 S		7/2003	Koch		
D488,761 S	*	4/2004	Kuninari et al.	D12/209
D498,194 S	*	11/2004	Aquino	D12/209
D502,435 S	*	3/2005	Kuninari et al.	D12/209
D507,220 S	*	7/2005	Lucaora	D12/209
D508,007 S	*	8/2005	Koch	D12/211

* cited by examiner

Primary Examiner—Stacia Cadmus

(74) *Attorney, Agent, or Firm*—Nath & Associates PLLC; Gary M. Nath; Gregory B. Kang

(57) **CLAIM**

The ornamental design for a tire rim, as shown and described.

DESCRIPTION

FIG. 1: is a side perspective view of the tyre rim showing my new design;
 FIG. 2: is a bottom plan view thereof (one side view being a mirror image);
 FIG. 3: is a top plan view thereof;
 FIG. 4: is a front elevation view thereof;
 FIG. 5: is a side view thereof;
 FIG. 6: is a side perspective view of a second embodiment of the tyre rim of FIG. 1, whereas four holes are provided for fastening bolts;
 FIG. 7: is a bottom plan view thereof (one side view being a mirror image);
 FIG. 8: is a top plan view thereof;
 FIG. 9: is a front elevation view thereof; and,
 FIG. 10: is a side elevation view thereof.

1 Claim, 6 Drawing Sheets

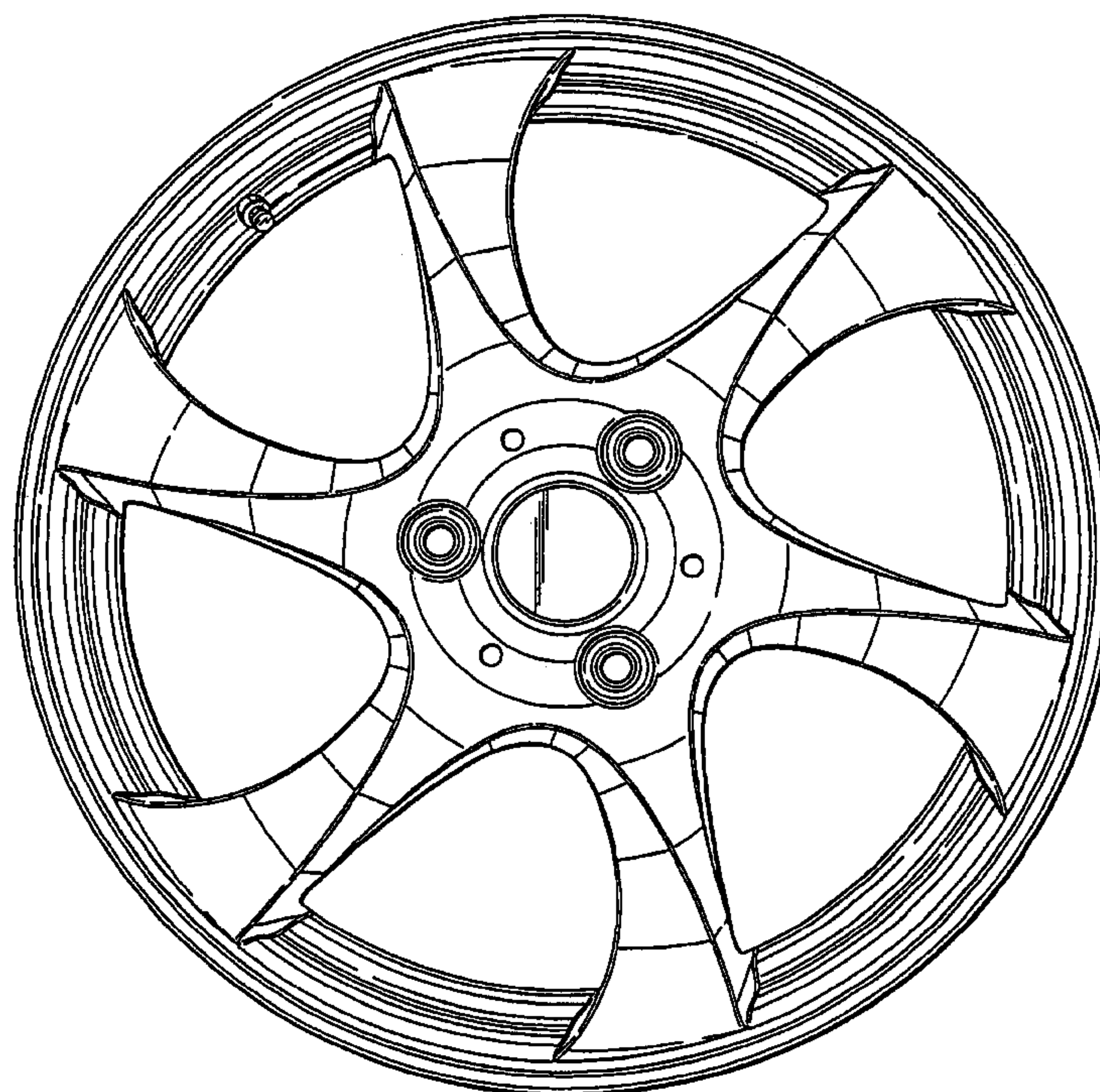


FIG. 1

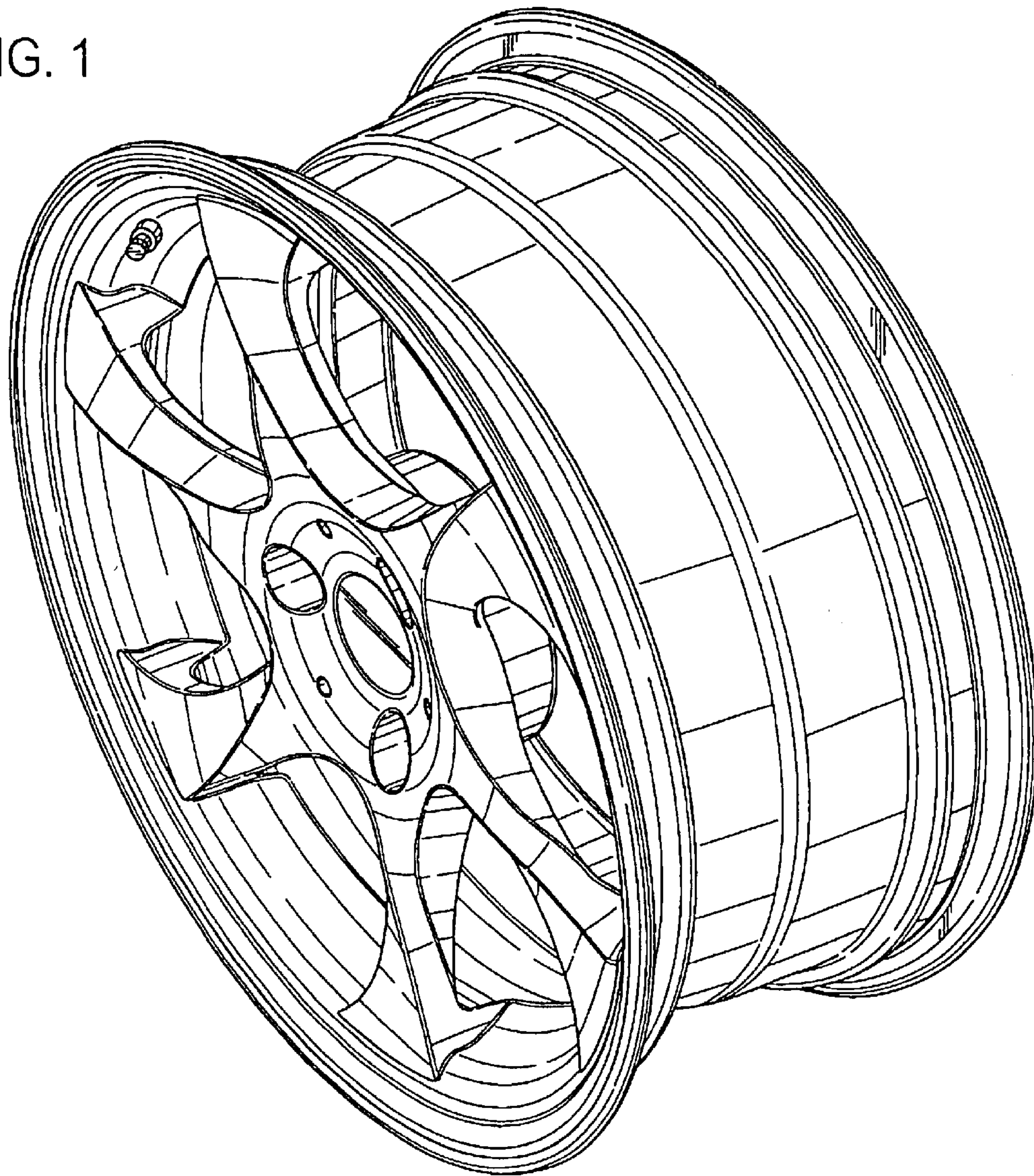
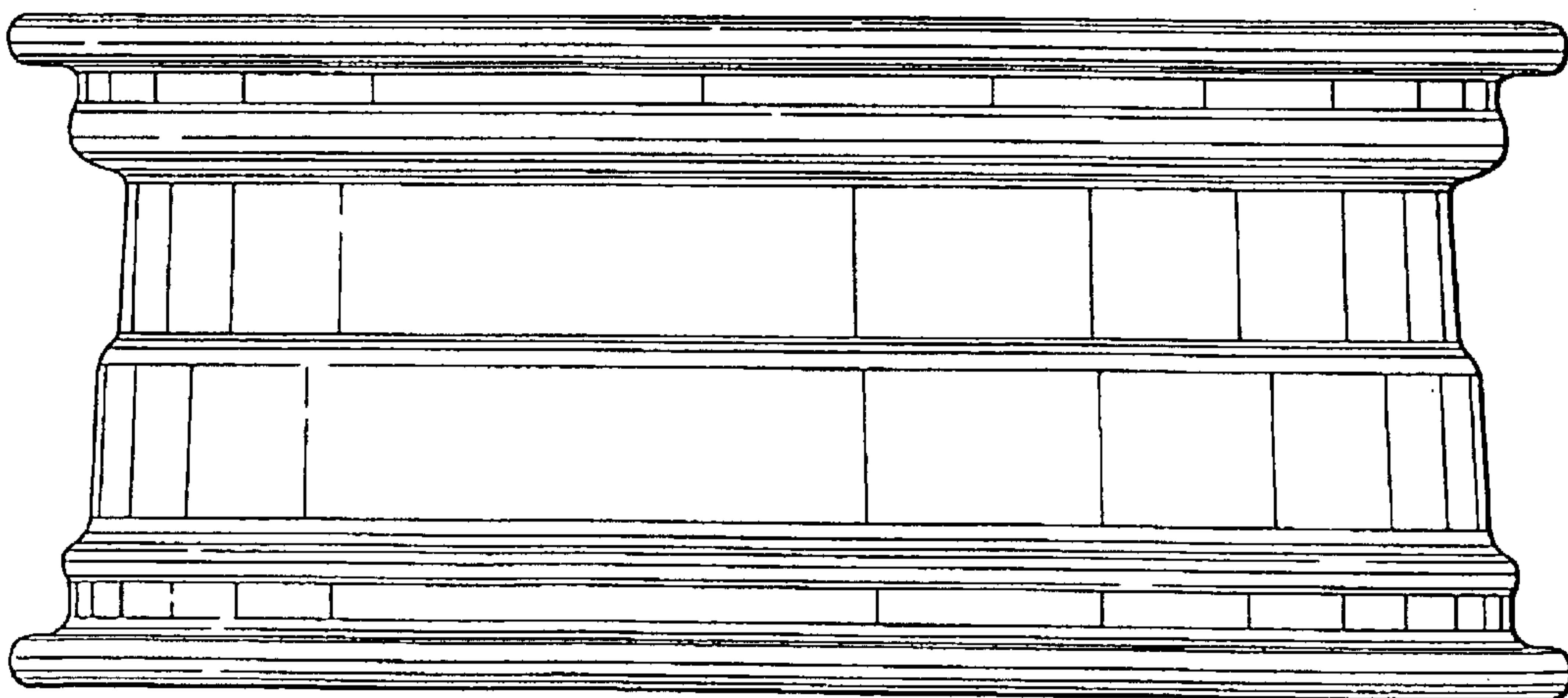


FIG. 2



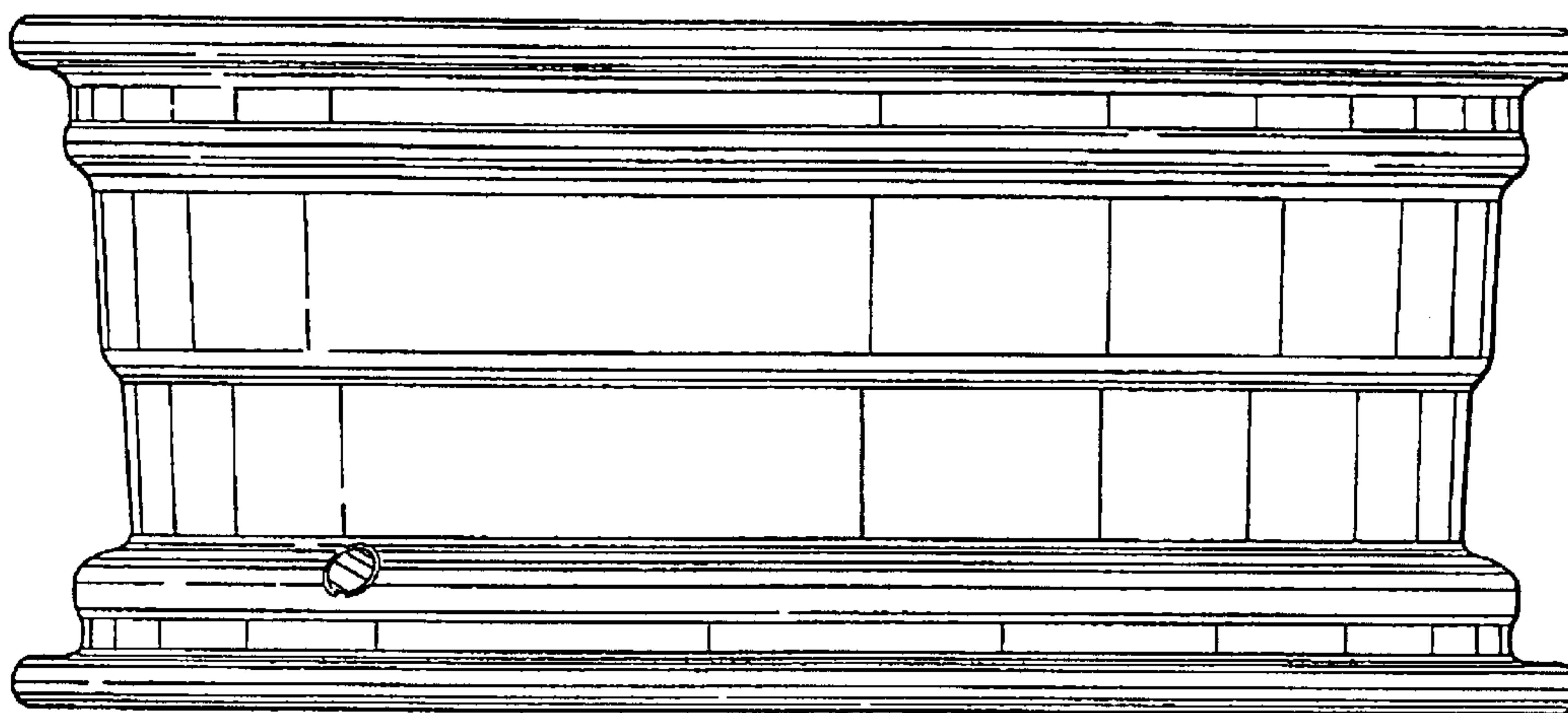


FIG. 3

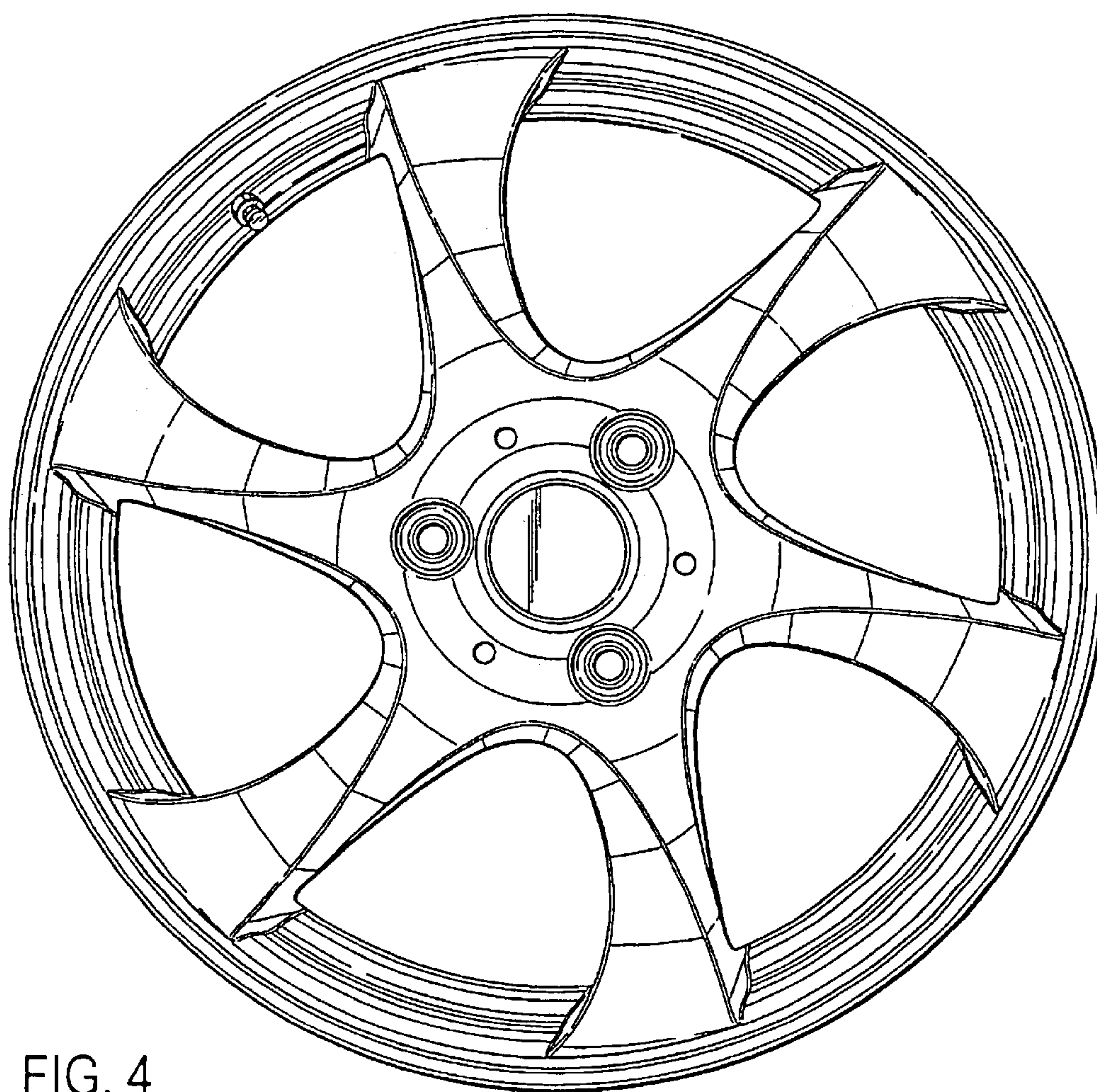


FIG. 4

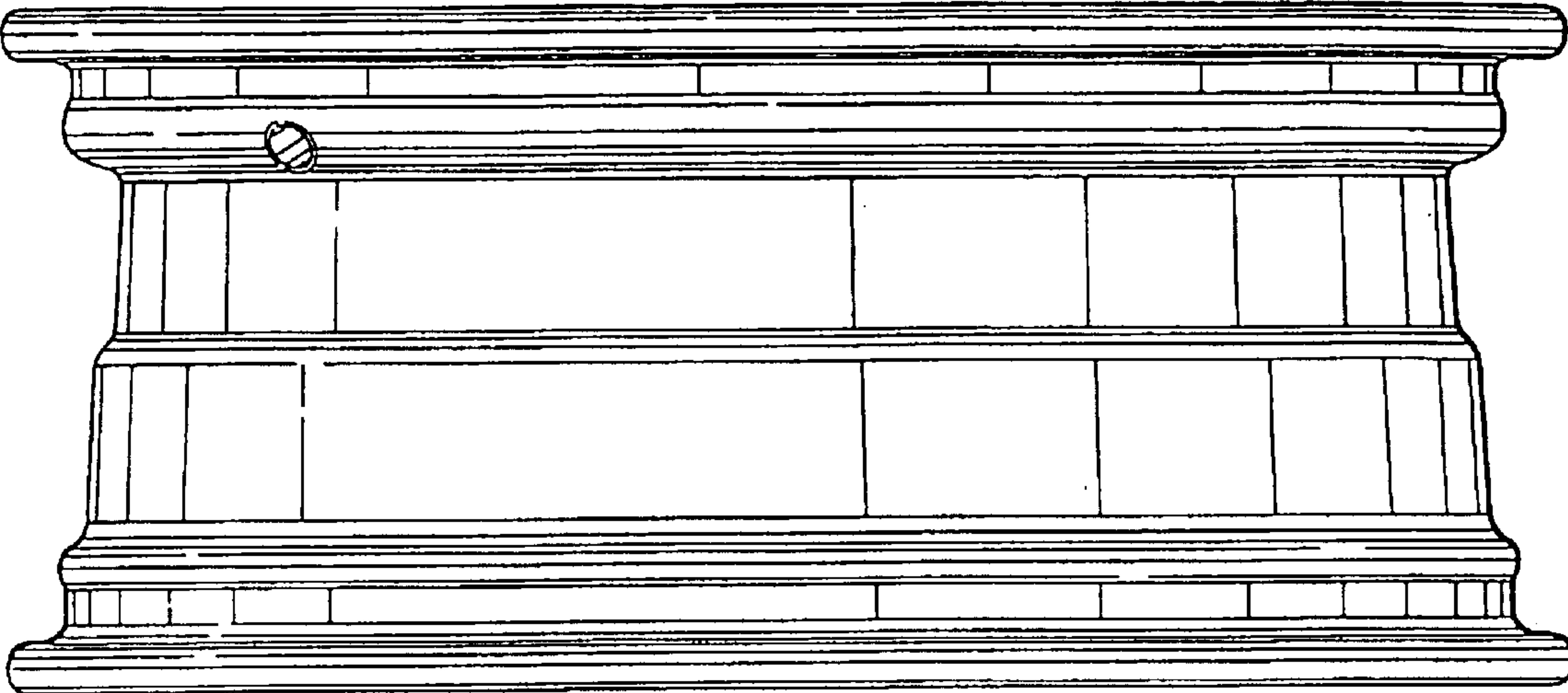


FIG. 5

FIG. 6

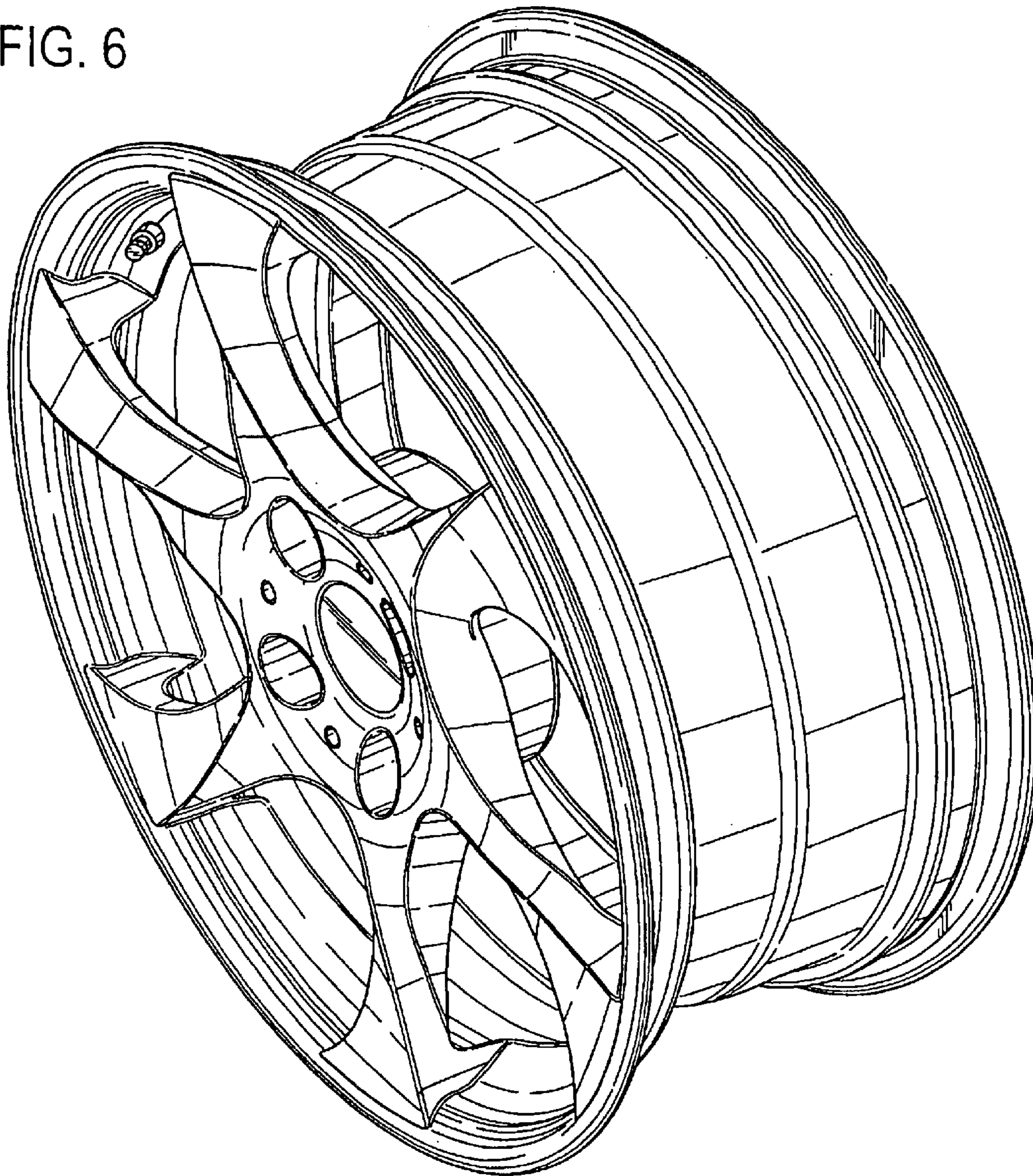
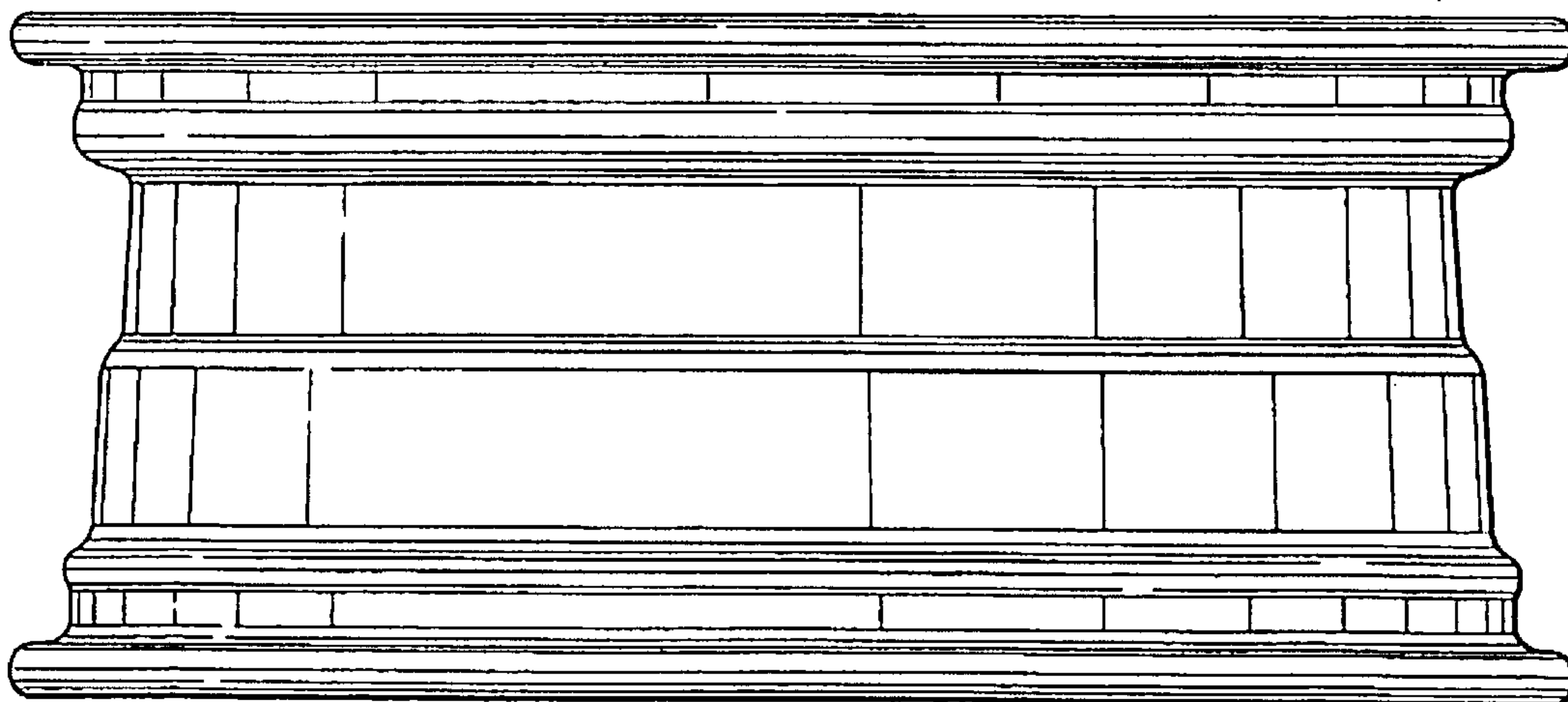


FIG. 7



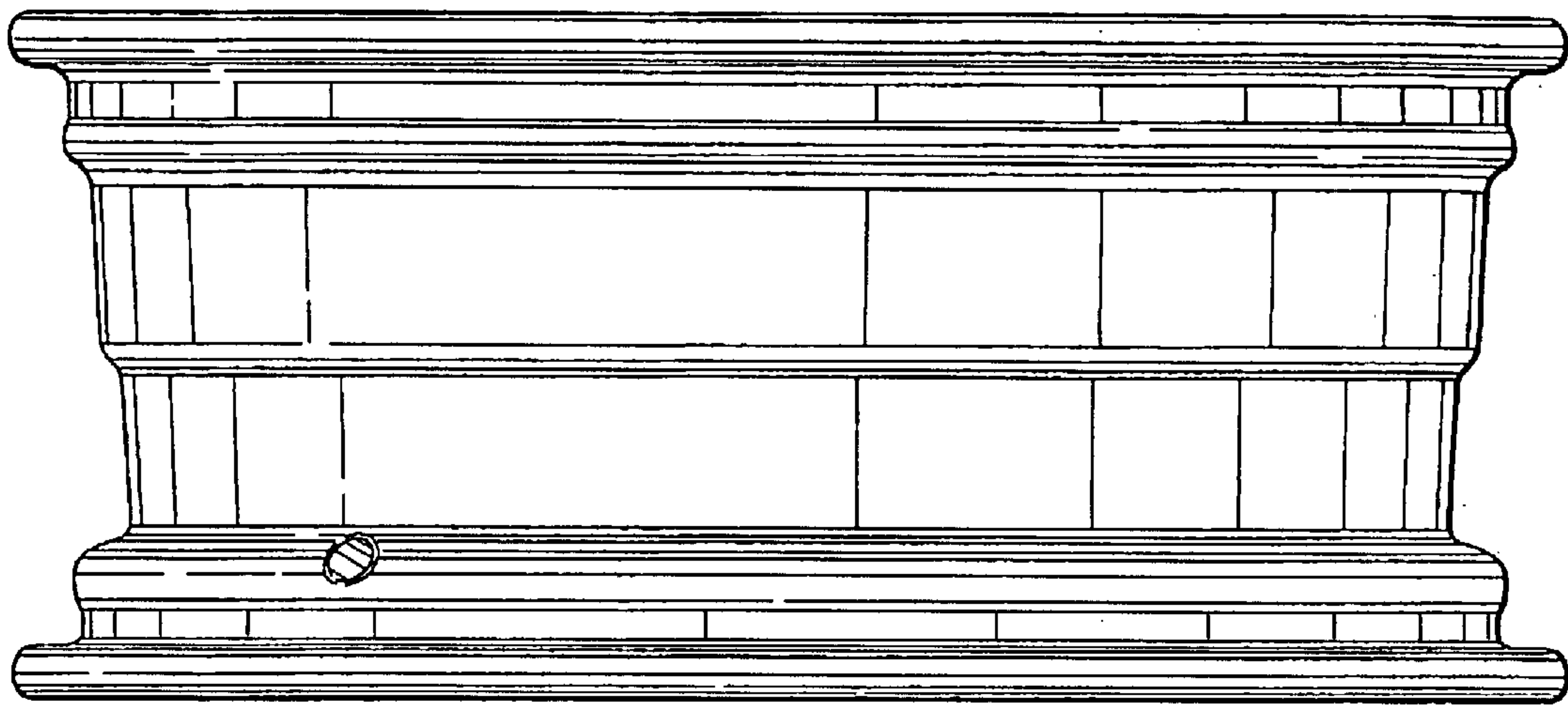


FIG. 8

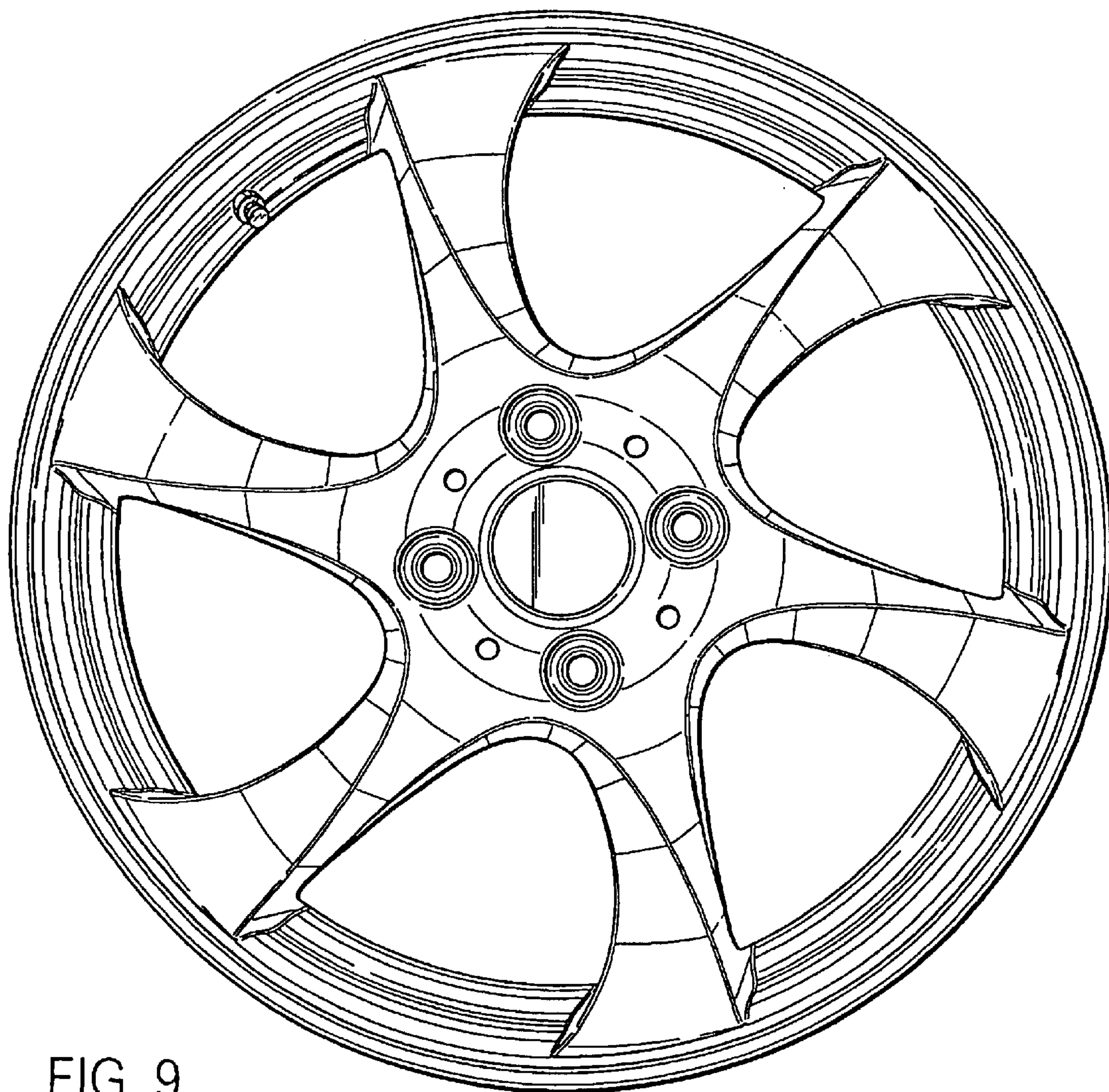


FIG. 9

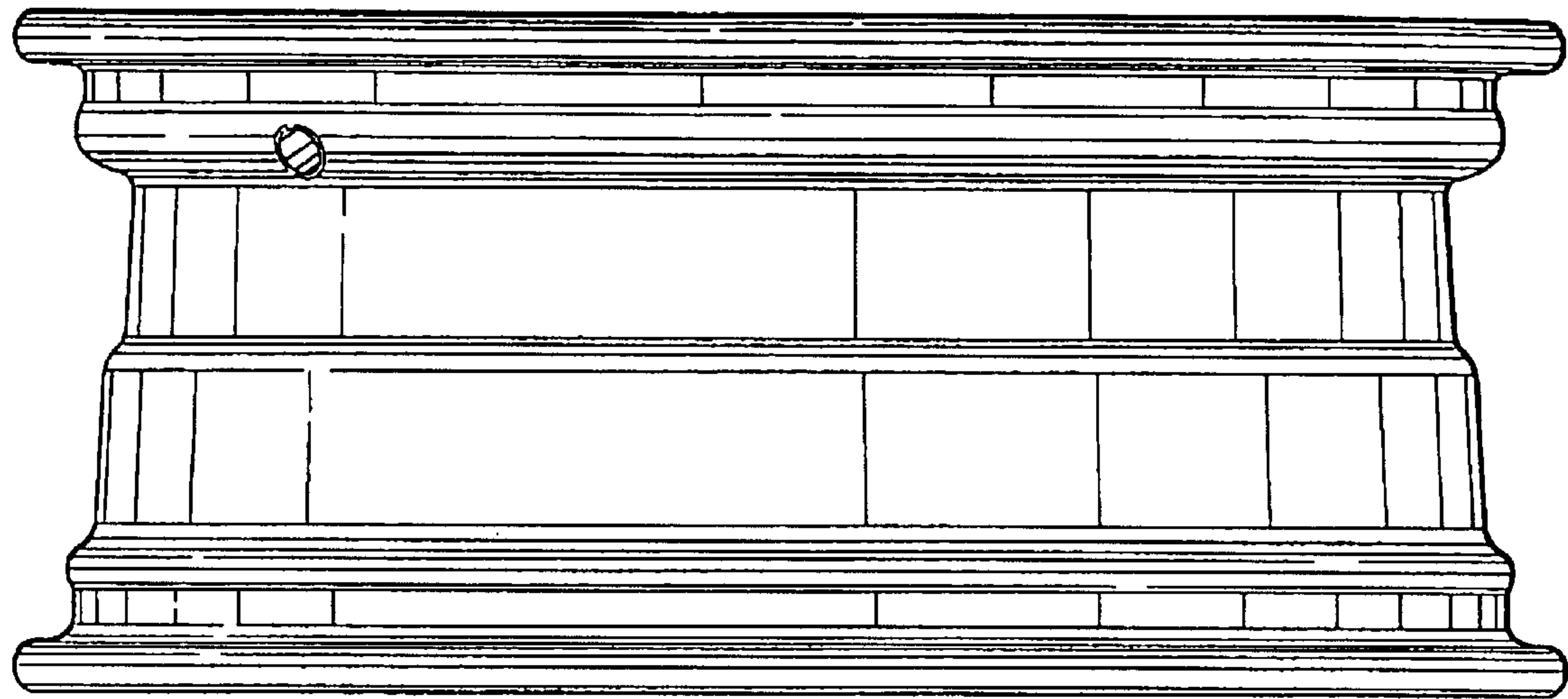


FIG. 10