



US00D521435S

(12) **United States Design Patent**
Fitzgerald

(10) **Patent No.:** **US D521,435 S**

(45) **Date of Patent:** **** May 23, 2006**

(54) **MOTOR VEHICLE WHEEL FRONT FACE**

(75) Inventor: **Kevin Fitzgerald**, Long Beach, CA
(US)

(73) Assignee: **KMC Acquisition Corp.**, Lakewood,
CO (US)

(**) Term: **14 Years**

(21) Appl. No.: **29/210,228**

(22) Filed: **Jul. 28, 2004**

(51) **LOC (8) Cl.** **12-16**

(52) **U.S. Cl.** **D12/209**

(58) **Field of Classification Search** D12/204-213;
301/37.101, 64.101, 65

See application file for complete search history.

(56) **References Cited**

U.S. PATENT DOCUMENTS

D206,432 S	*	12/1966	Reid	D12/209
D402,252 S	*	12/1998	Kulla	D12/211
D432,479 S	*	10/2000	Lee et al.	D12/209
D436,907 S	*	1/2001	Ong	D12/209

D460,937 S	*	7/2002	Nakazawa et al.	D12/209
D466,067 S	*	11/2002	Muzzarelli	D12/211
D487,242 S	*	3/2004	Lecher et al.	D12/211
D504,858 S	*	5/2005	Pfeiffer	D12/209
D505,371 S	*	5/2005	Hueller	D12/209
D507,221 S	*	7/2005	Stopka	D12/209
D508,671 S	*	8/2005	Baum	D12/209
D510,719 S	*	10/2005	Noble	D12/211

* cited by examiner

Primary Examiner—Stacia Cadmus

(74) *Attorney, Agent, or Firm*—Dykema Gossett PLLC

(57) **CLAIM**

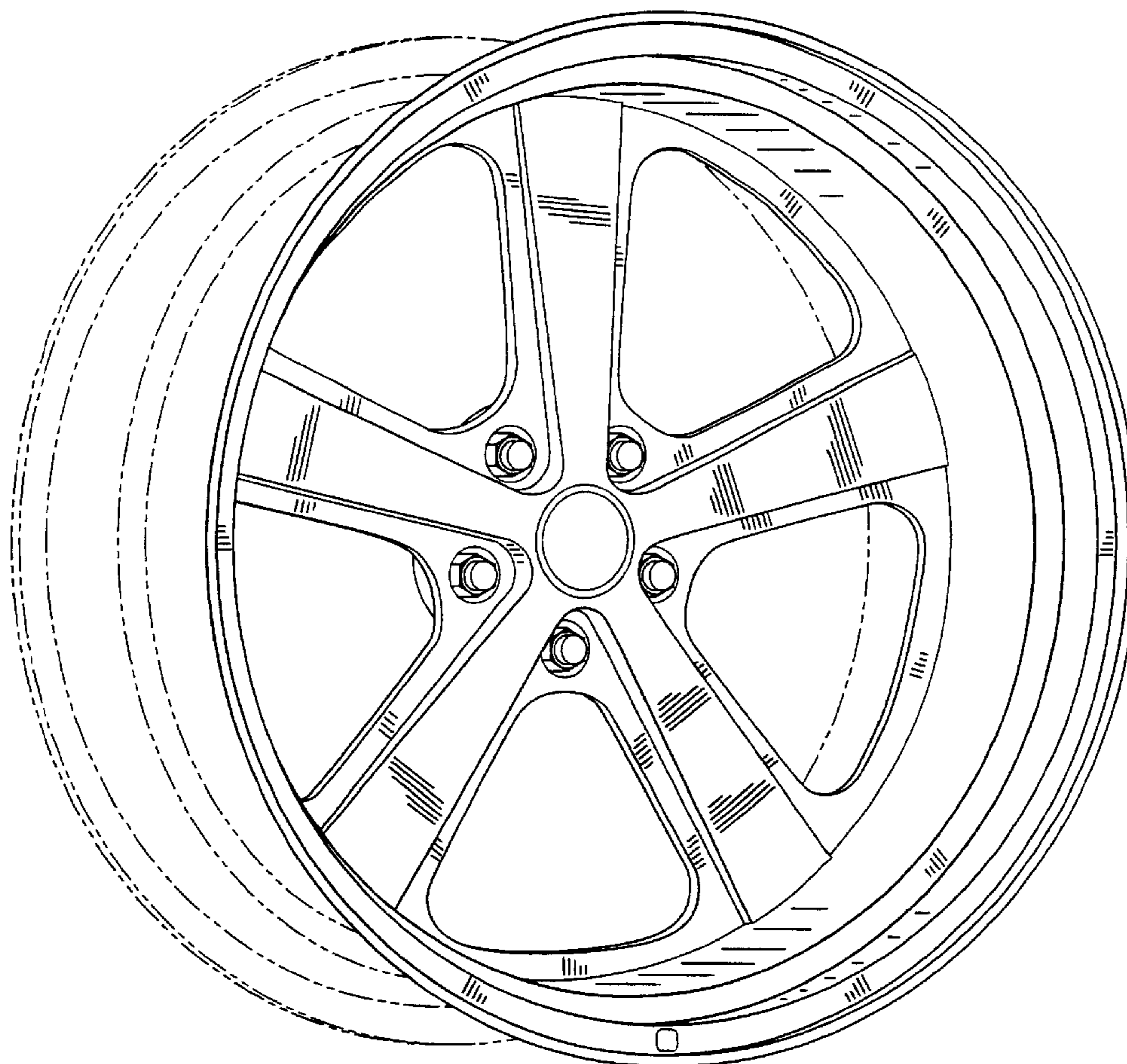
The ornamental design for a motor vehicle wheel front face, as shown and described.

DESCRIPTION

FIG. 1 is a front perspective view of a motor vehicle wheel front face showing my new design; and, FIG. 2 is a front elevational view of the wheel shown in FIG. 1.

The phantom line showing of environment is for illustrative purposes only and forms no part of the claimed design.

1 Claim, 2 Drawing Sheets



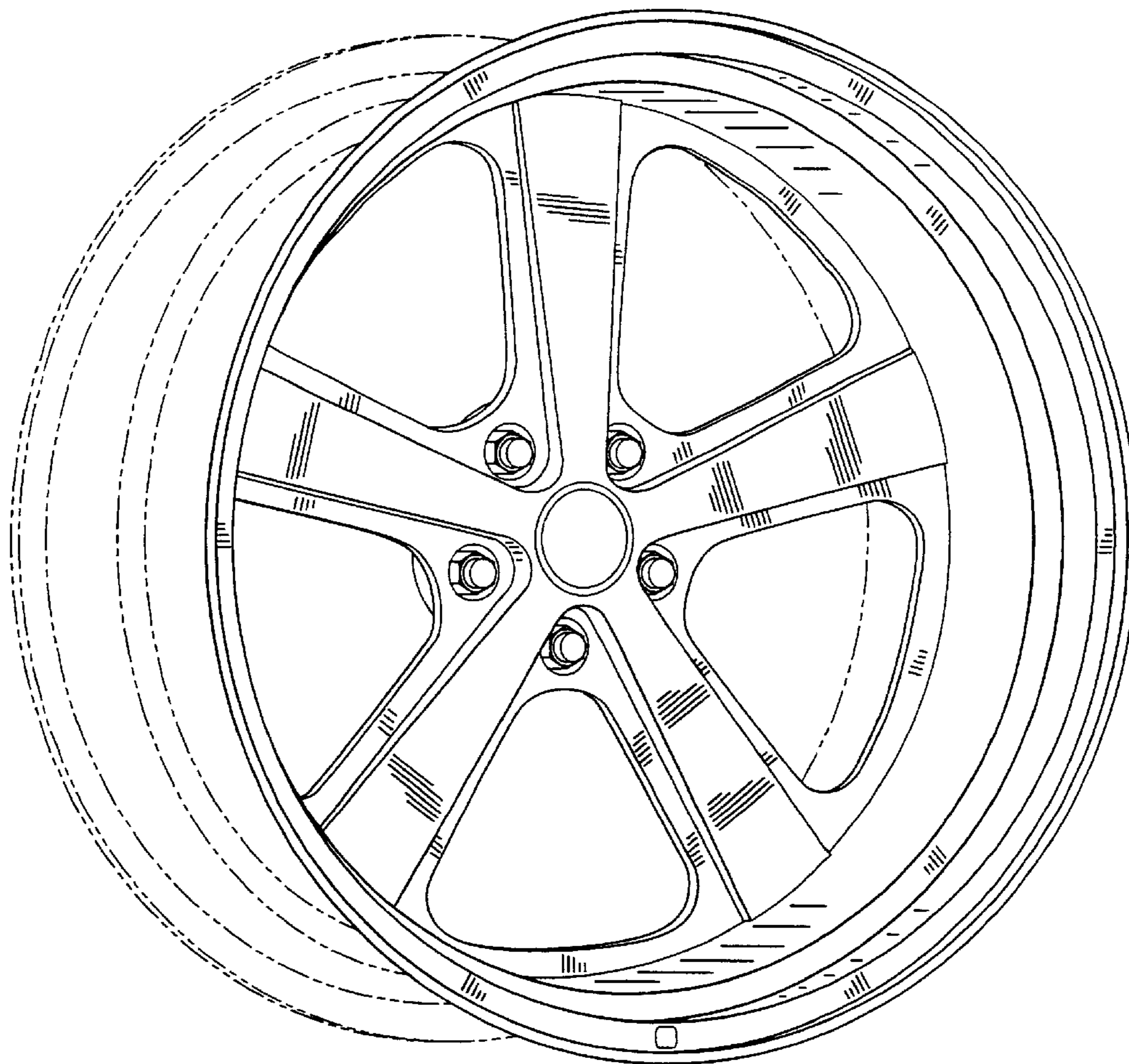


FIG. 1

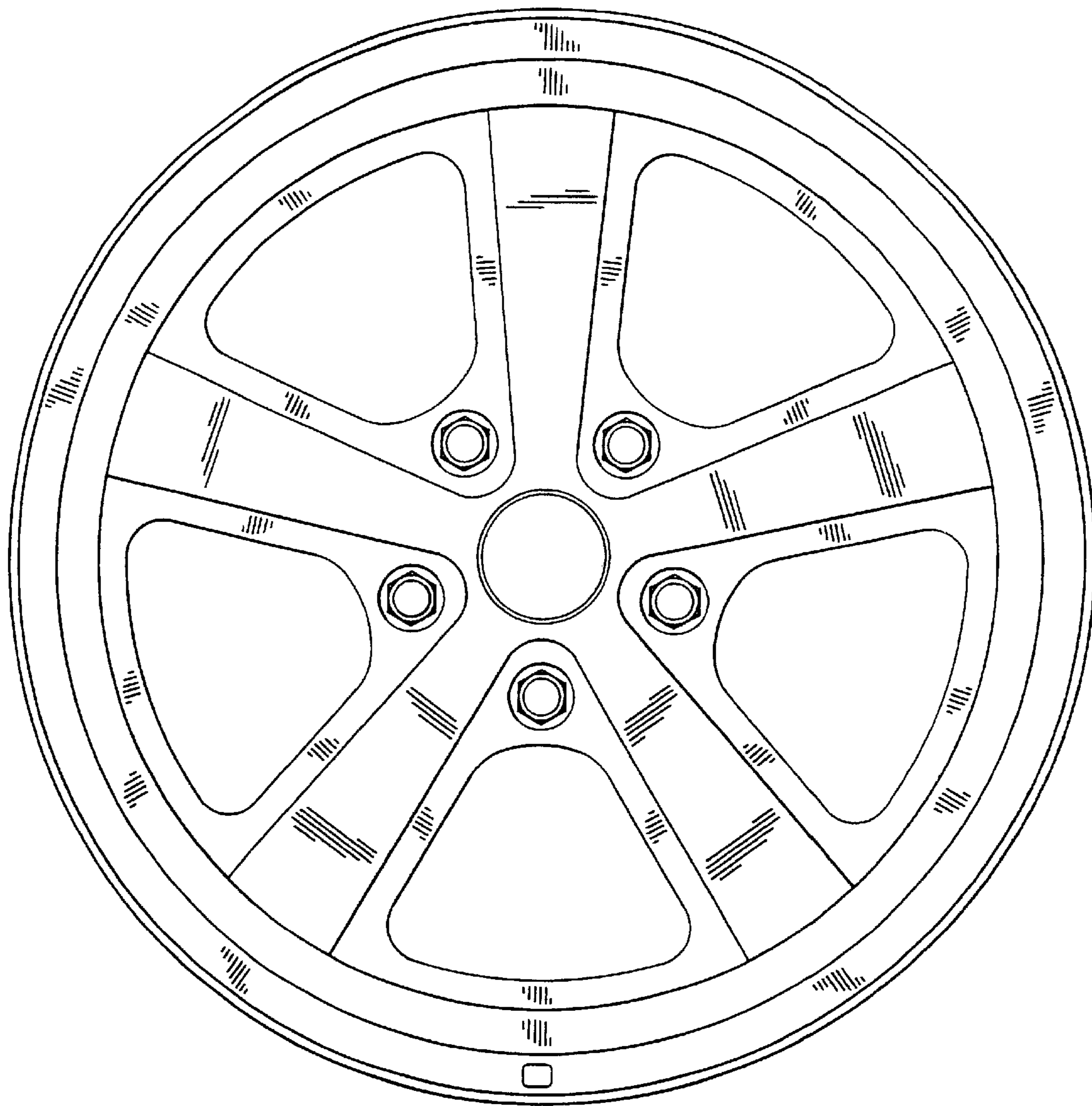


FIG. 2