

US00D521434S

(12) **United States Design Patent**
Fisker et al.

(10) **Patent No.:** **US D521,434 S**

(45) **Date of Patent:** **** May 23, 2006**

(54) **AUTOMOTIVE DOOR**

(75) Inventors: **Henrik Fisker**, Newport Beach, CA (US); **John Paxton**, Long Beach, CA (US); **David Woodhouse**, Newport Coast, CA (US)

(73) Assignee: **Ford Global Technologies, LLC**, Dearborn, MI (US)

(**) Term: **14 Years**

(21) Appl. No.: **29/220,941**

(22) Filed: **Jan. 7, 2005**

(51) **LOC (8) Cl.** **12-16**

(52) **U.S. Cl.** **D12/196**

(58) **Field of Classification Search** D12/196,
D12/90-92, 86; 296/181.1

See application file for complete search history.

(56) **References Cited**

U.S. PATENT DOCUMENTS

D310,506 S	*	9/1990	Fioravanti	D12/196
D440,185 S	*	4/2001	Desmond et al.	D12/91
D468,247 S	*	1/2003	Vandillen	D12/196
D479,156 S	*	9/2003	Meadows	D12/91
D499,988 S	*	12/2004	Minami et al.	D12/91

OTHER PUBLICATIONS

www.landroverusa.com/us/en/Vehicles/Range_Rover/Overview, Land Rover US—Overview, 3 pages.

www.landroverusa.com/us/en/_misc/EnlargeImagePopup, Land Rover US—EnlargeImagePopup, 1 page.

www.landroverusa.com/us/en/Vehicles/Range_Rover/Photo, Land Rover US—Photos, 20 pages.

Advertisement: AUTOWEB RE: 2005 GMC Safari (pp. 1-8).

Advertisement: AUTOWEB RE: 2005 Chrysler Town & Country (pp. 1-8).

Advertisement: AUTOWEB RE: 2005 Honda Odyssey EX 5-Spd AT (pp. 1-6).

Advertisement: AUTOWEB RE: 2005 Toyota Sienna CE with 7 Passenger Seating (pp. 1-6).

* cited by examiner

Primary Examiner—Melody N. Brown
(74) *Attorney, Agent, or Firm*—Frank A. MacKenzie

(57) **CLAIM**

The ornamental design for an automotive door, as shown and described.

DESCRIPTION

FIG. 1 is a left side perspective view of a first embodiment automotive door design in accordance with the present invention, wherein a right side perspective view of a first embodiment is a mirror image thereof;

FIG. 2 is a left side perspective view of a second embodiment automotive door design in accordance with the present invention, wherein a right side perspective view of a second embodiment is a mirror image thereof;

FIG. 3 is a left side perspective view of a third embodiment automotive door design in accordance with the present invention, wherein a right side perspective view of a third embodiment is a mirror image thereof;

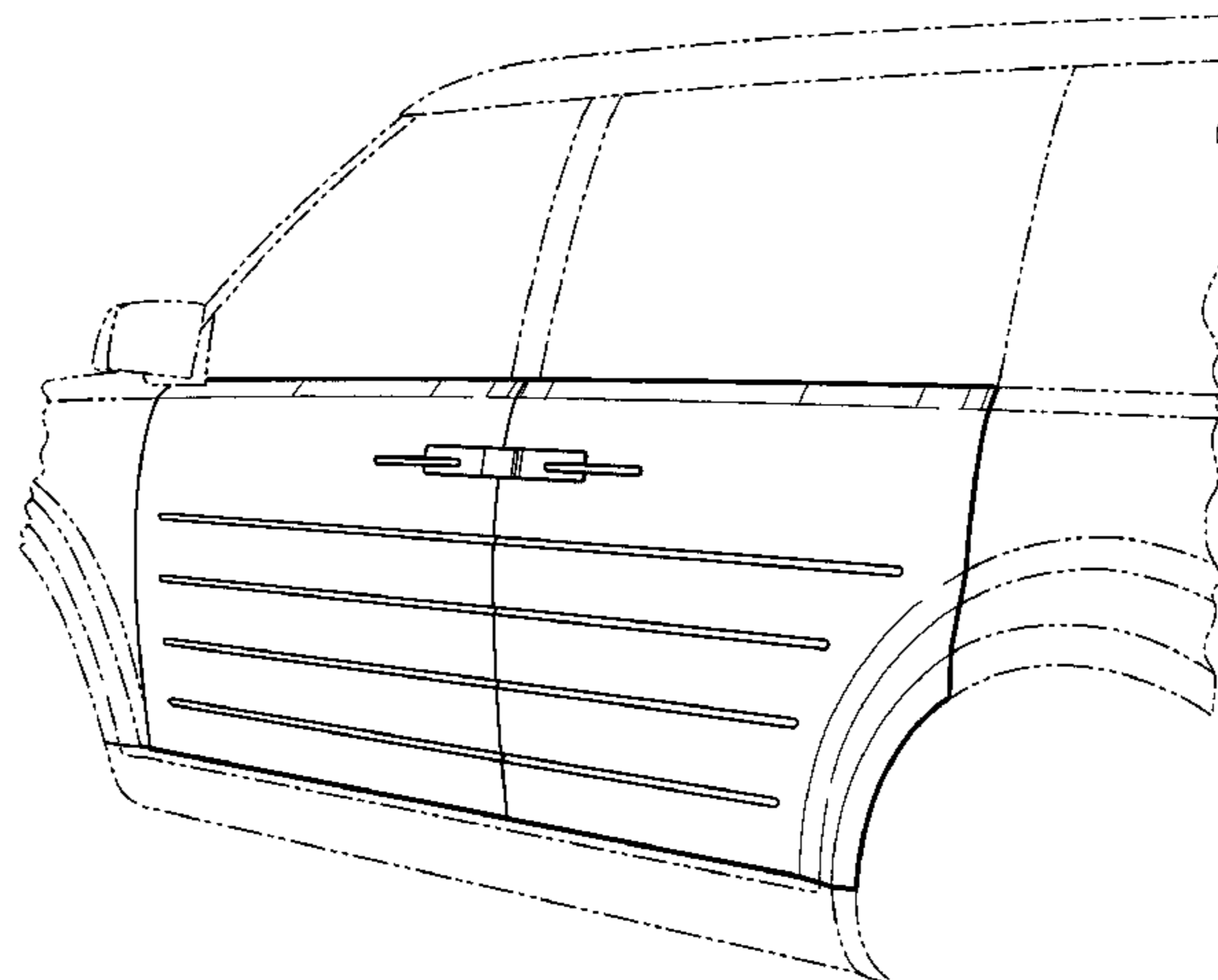
FIG. 4 is a left side perspective view of a fourth embodiment automotive door design in accordance with the present invention, wherein a right side perspective view of a fourth embodiment is a mirror image thereof;

FIG. 5 is a left side perspective of a fifth embodiment automotive door design in accordance with the present invention, wherein a right side perspective view of a fifth embodiment is a mirror image thereof; and,

FIG. 6 is a left side perspective view of a sixth embodiment automotive door design in accordance with the present invention, wherein a right side perspective view of a sixth embodiment is a mirror image thereof.

The broken lines are for illustrative purposes only and form no part of the claimed design.

1 Claim, 3 Drawing Sheets



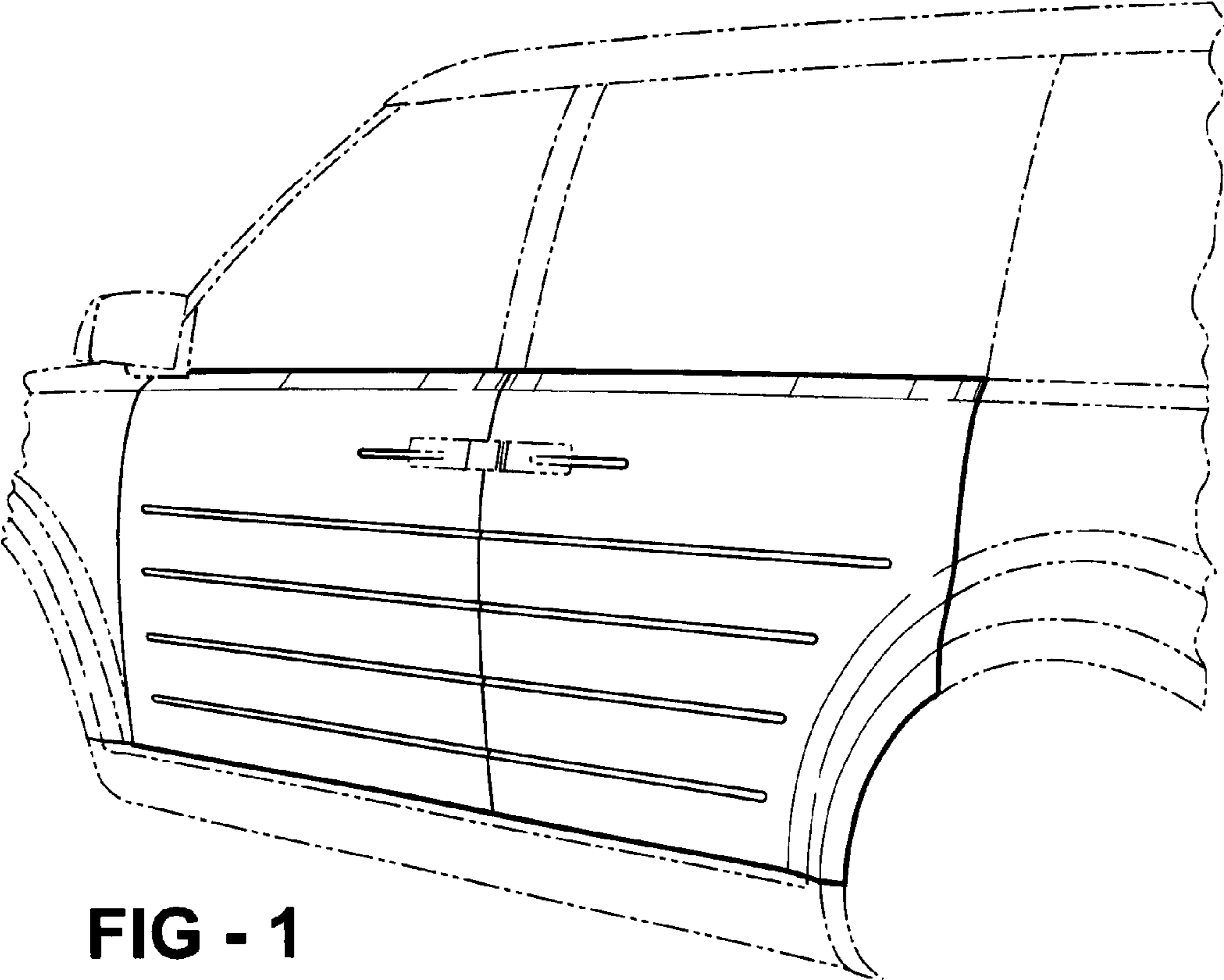


FIG - 1

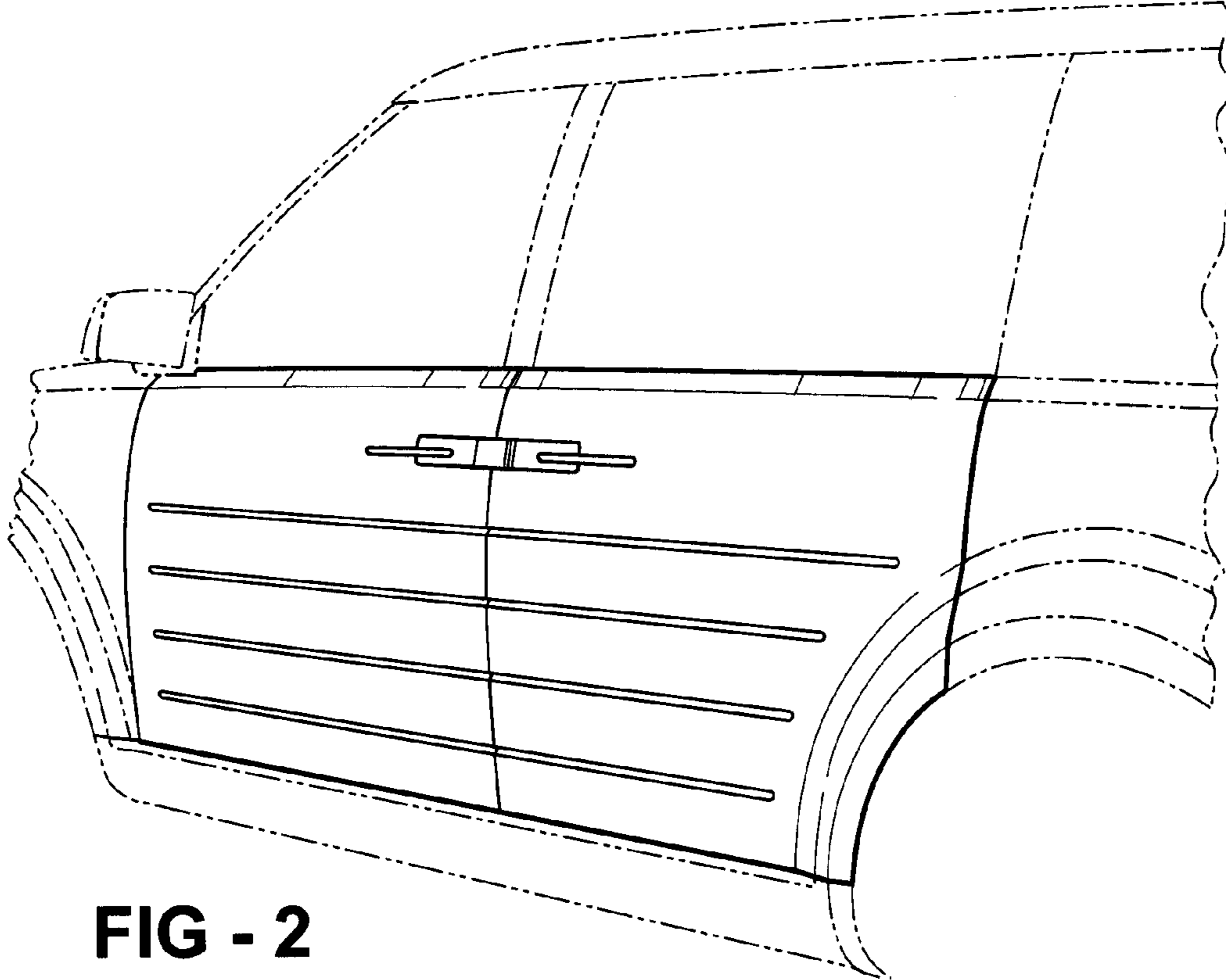


FIG - 2

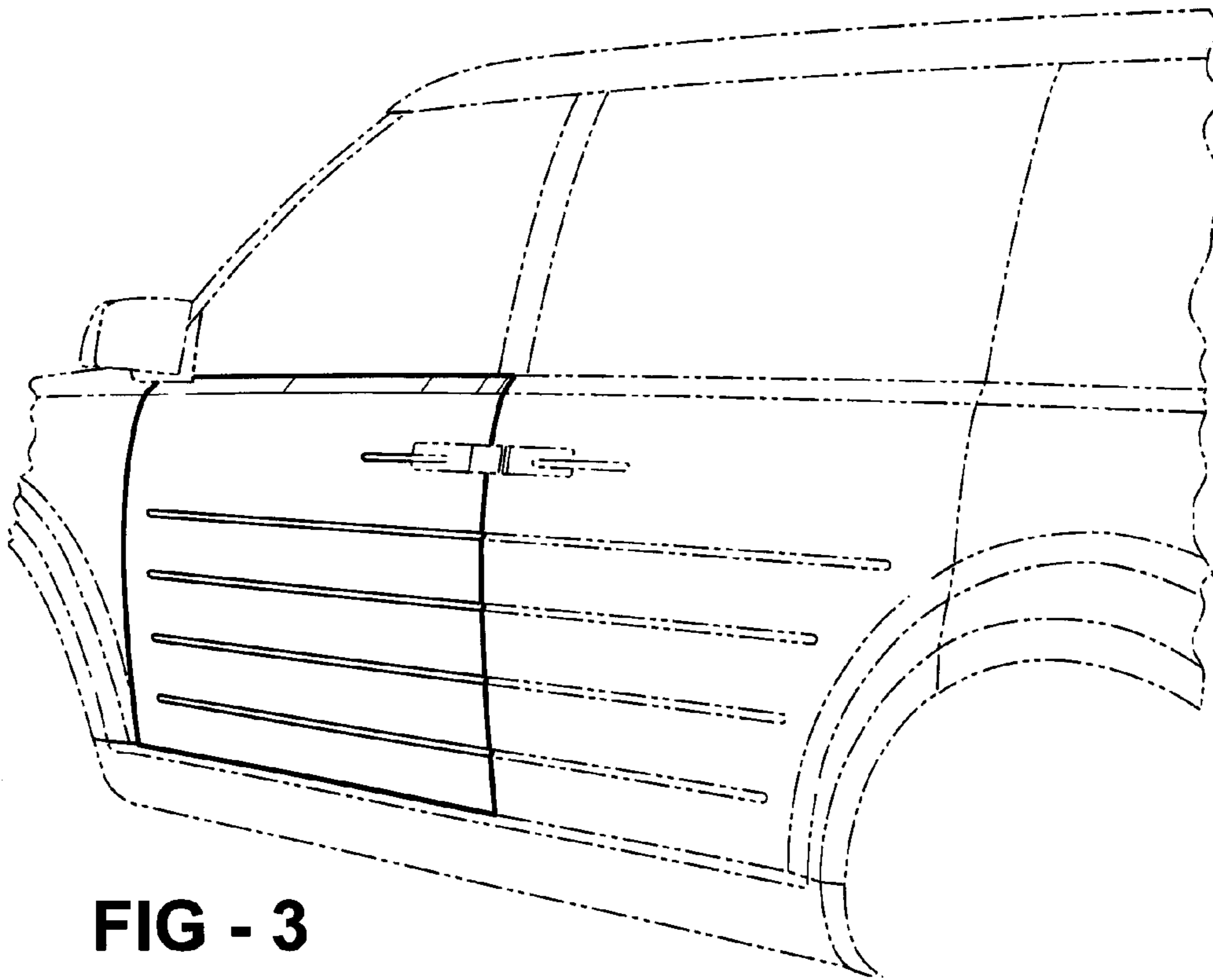


FIG - 3

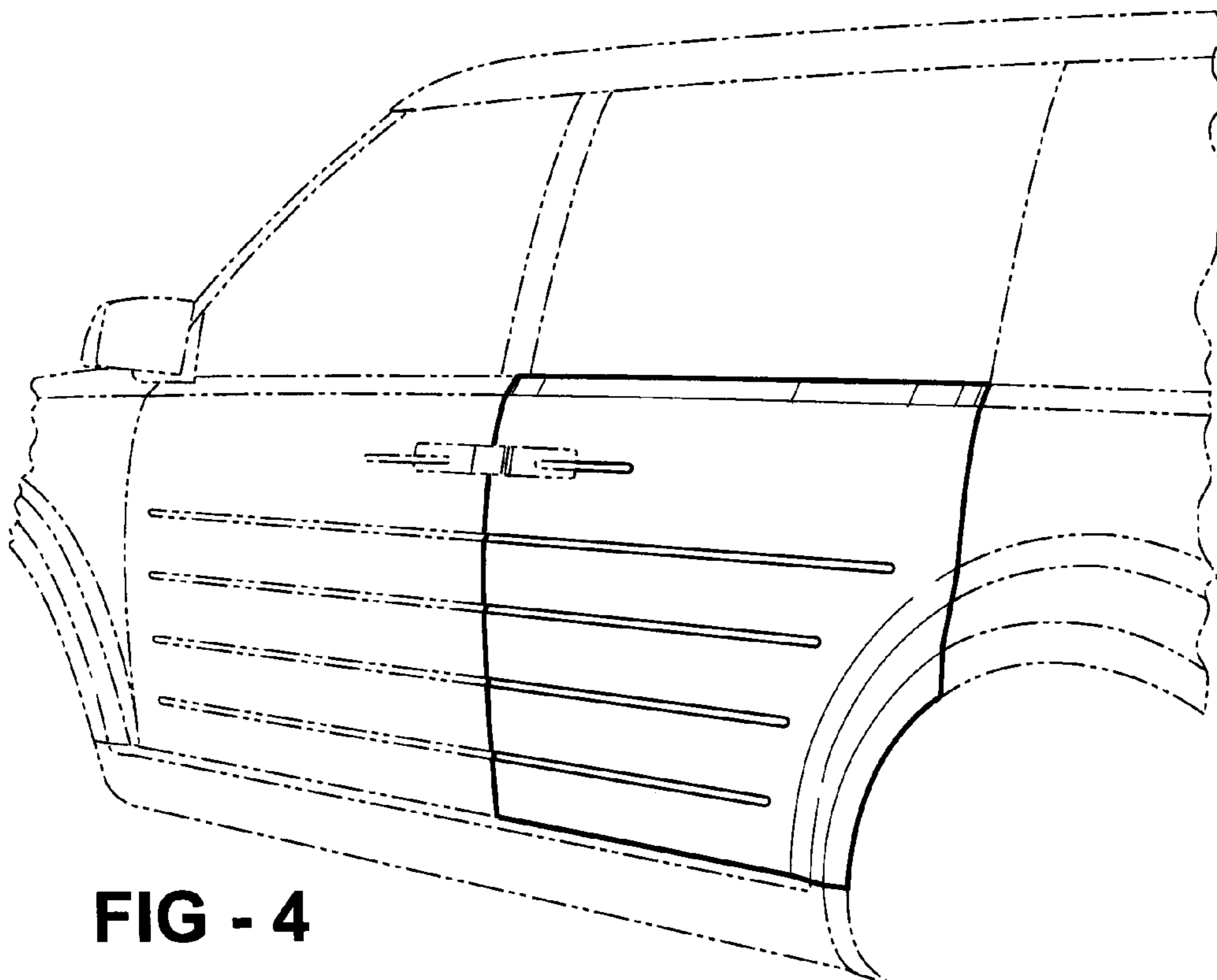


FIG - 4

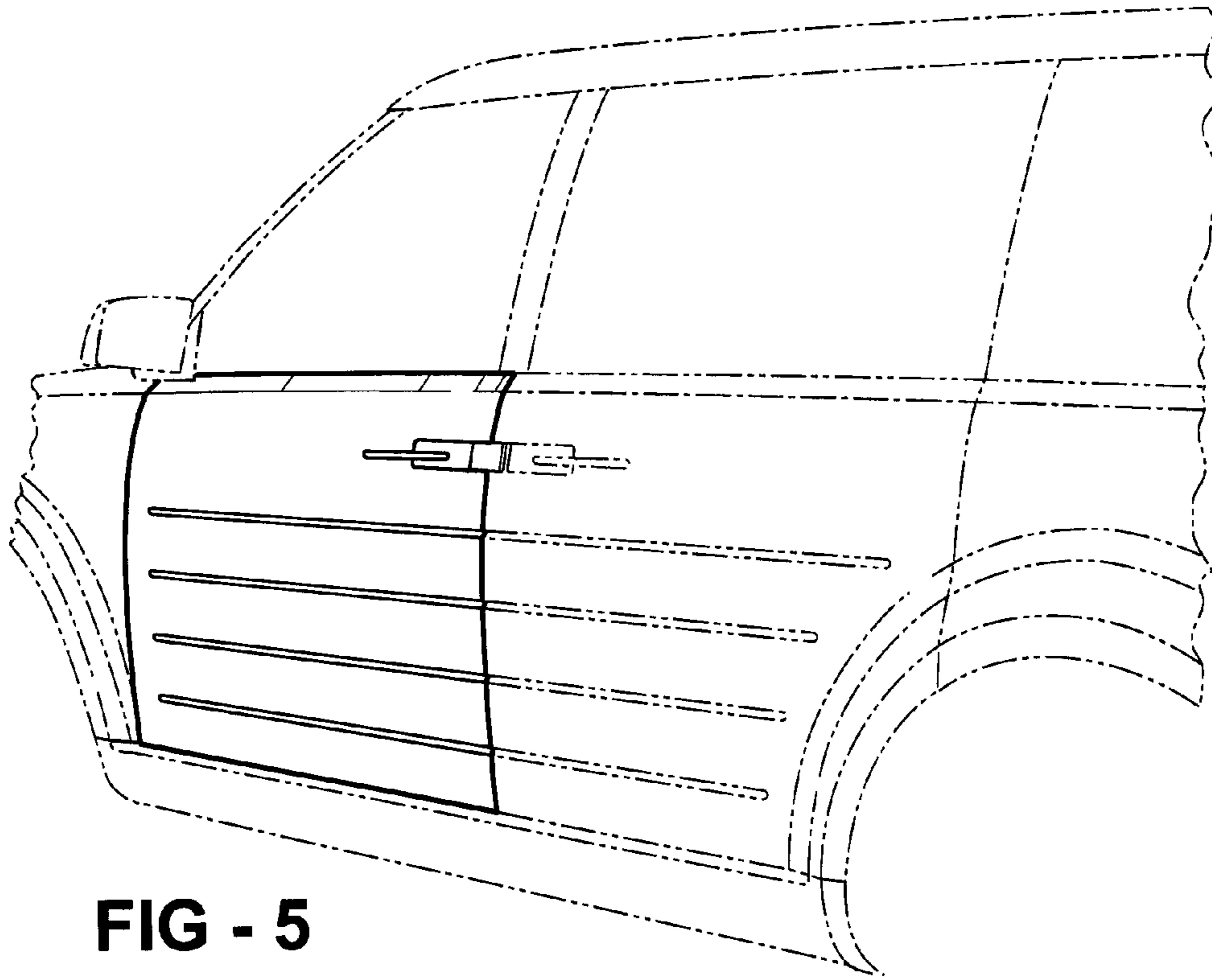


FIG - 5

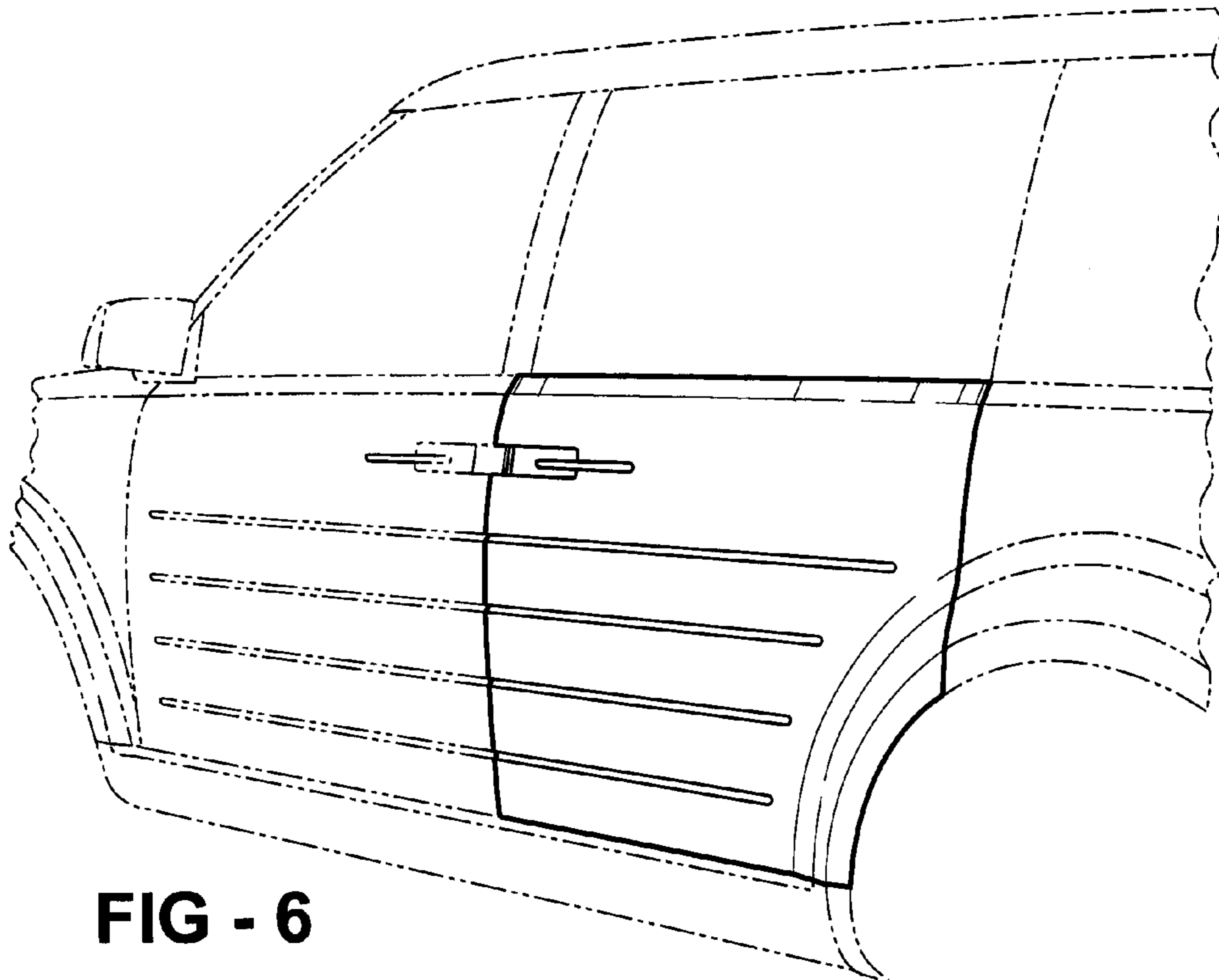


FIG - 6