

US00D521431S

(12) **United States Design Patent**  
**Hong**

(10) **Patent No.:** **US D521,431 S**

(45) **Date of Patent:** **\*\* May 23, 2006**

(54) **WINDSHIELD OF TRICYCLE**

D440,260 S \* 4/2001 Lenihan ..... D21/432

(76) Inventor: **Jae Hyun Hong**, 14065 Stage Rd.,  
Bloomfield Commerce Center, Santa Fe  
Springs, CA (US) 90670

\* cited by examiner

*Primary Examiner*—Alan P. Douglas

*Assistant Examiner*—Linda Brooks

(74) *Attorney, Agent, or Firm*—Park Law Firm; John K.  
Park

(\*\*) Term: **14 Years**

(21) Appl. No.: **29/229,147**

(57) **CLAIM**

(22) Filed: **May 3, 2005**

The ornamental design for a windshield of tricycle, as shown  
and described.

(51) **LOC (8) Cl.** ..... **12-08**

(52) **U.S. Cl.** ..... **D12/182**

(58) **Field of Classification Search** ..... D12/111–113,  
D12/110, 182; D21/432, 435, 538; 446/427,  
446/428, 465, 470, 440, 471; 280/202, 282,  
280/259, 281.1, 270, 827, 828; 296/84.1,  
296/78.1, 180.1

See application file for complete search history.

**DESCRIPTION**

FIG. 1 is a perspective view of a windshield of tricycle  
showing my new design;

FIG. 2 is another perspective view thereof;

FIG. 3 is still another perspective view thereof;

FIG. 4 is a front elevational view thereof;

FIG. 5 is a rear elevational view thereof;

FIG. 6 is a top plan view thereof; and,

FIG. 7 is a left side view thereof.

The broken lines shown are for illustrative purposes only  
and form no part of the claimed design.

(56) **References Cited**

**U.S. PATENT DOCUMENTS**

3,690,721 A \* 9/1972 Herbert et al. .... 296/78.1

4,790,555 A \* 12/1988 Nobile ..... 296/78.1

**1 Claim, 7 Drawing Sheets**

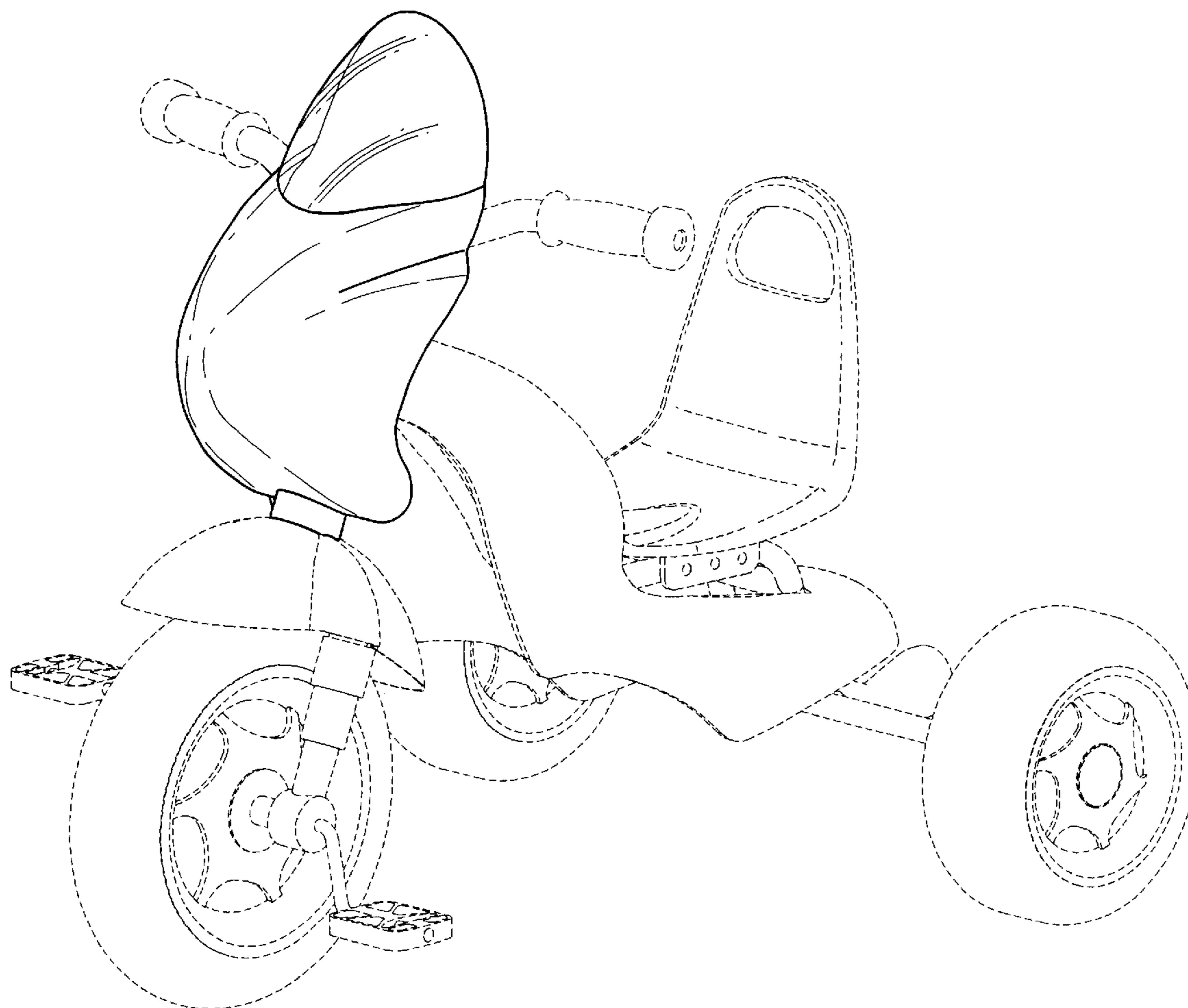


FIG. 1

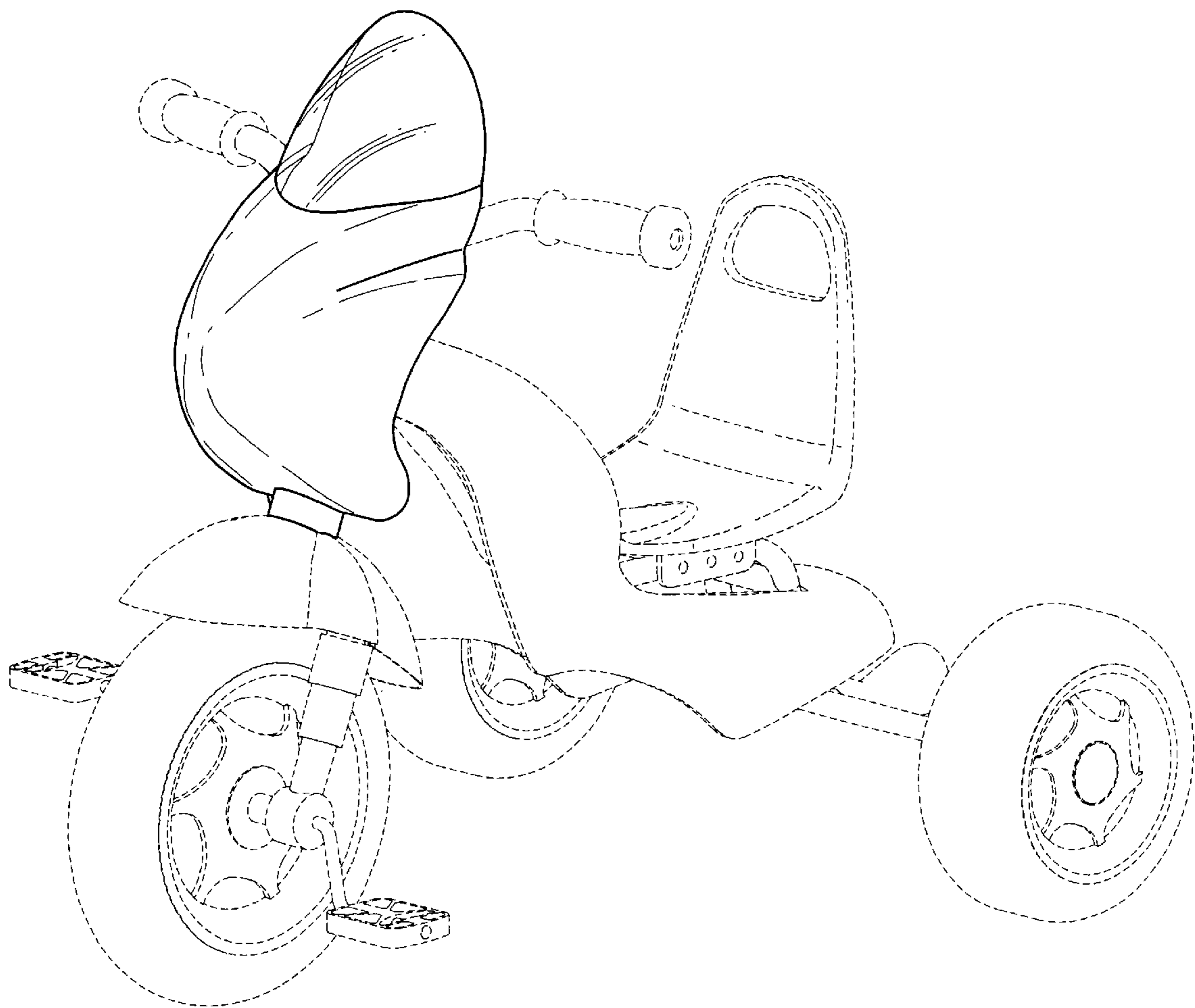


FIG. 2

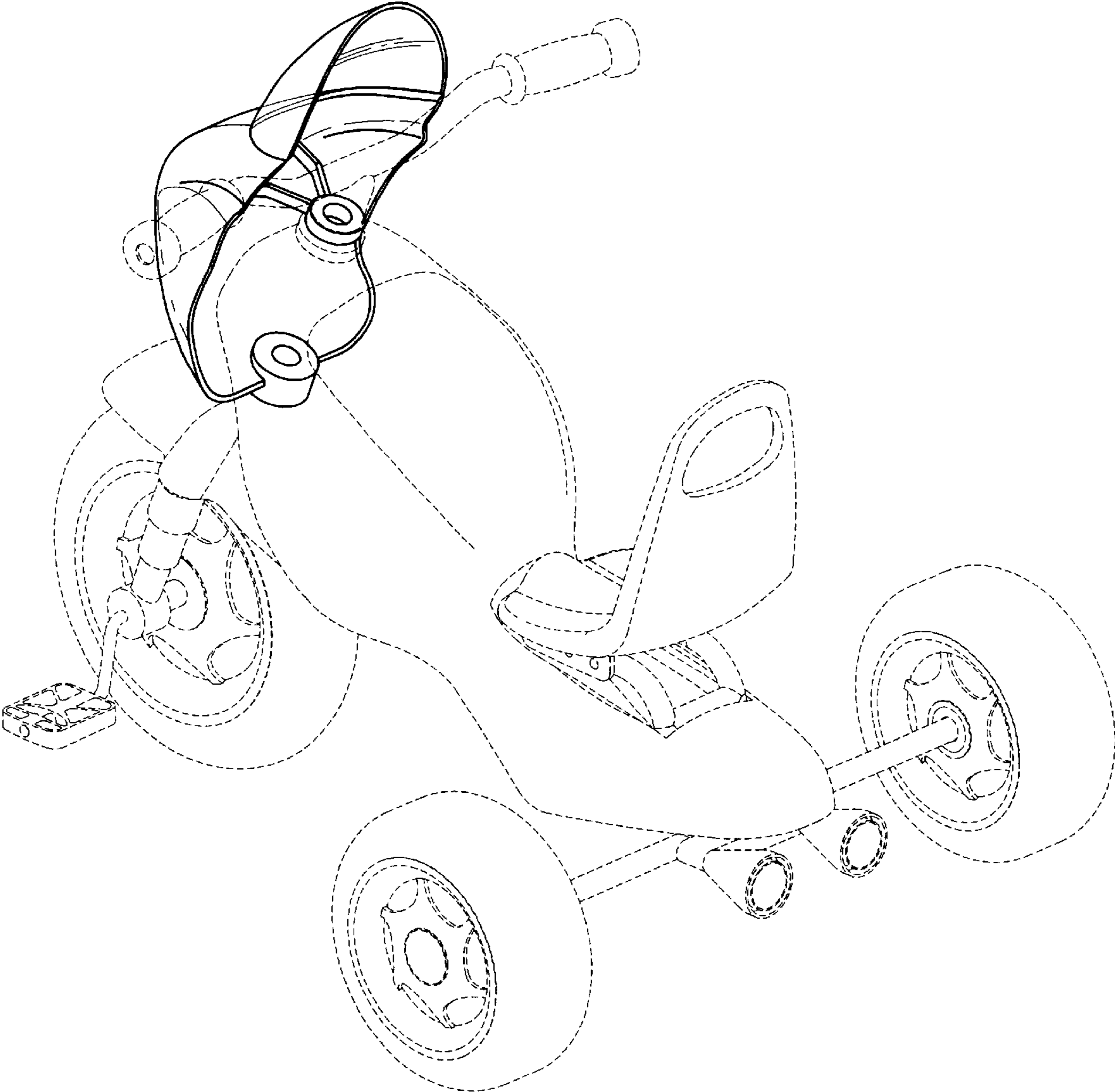


FIG. 3

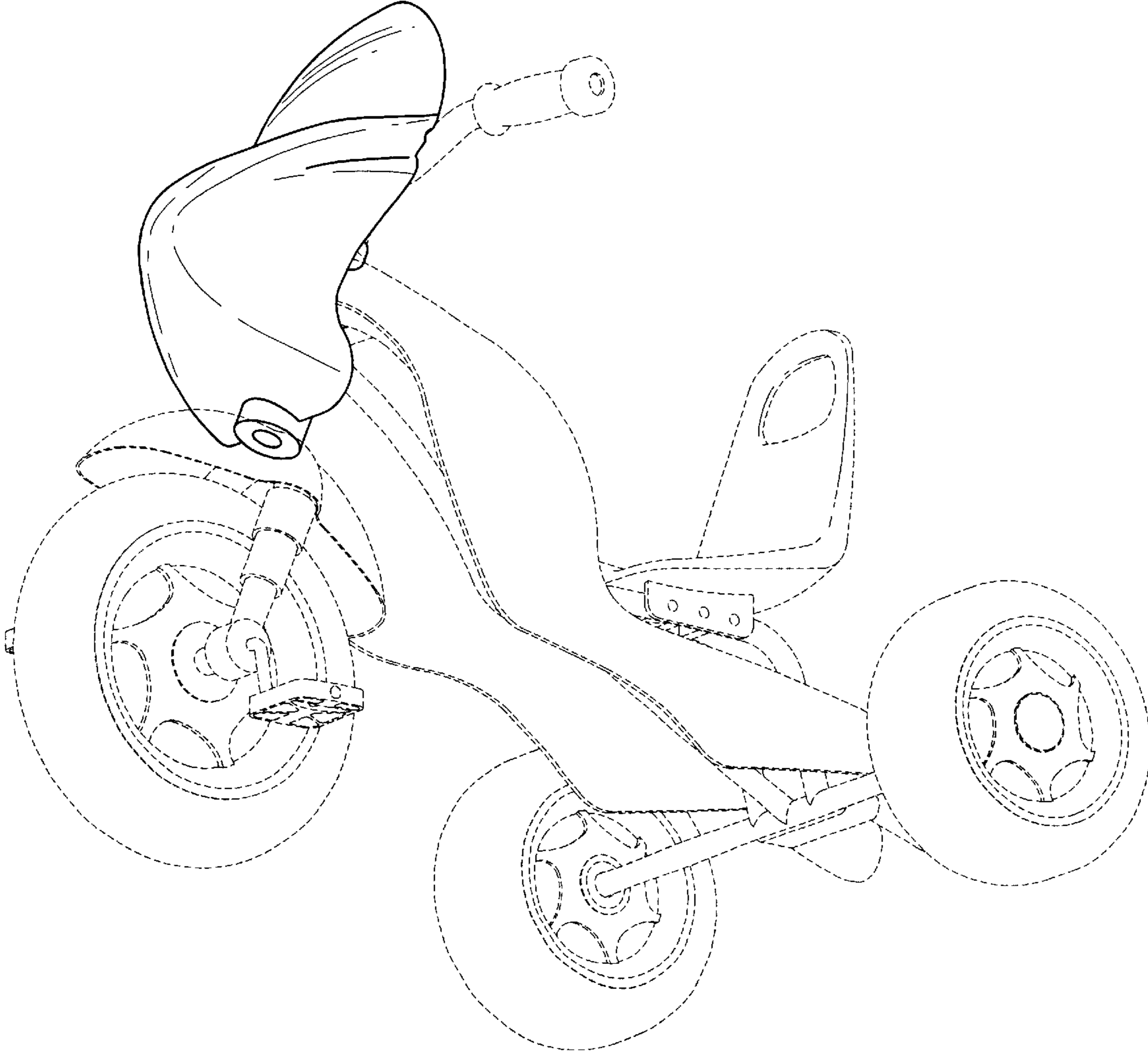


FIG. 4

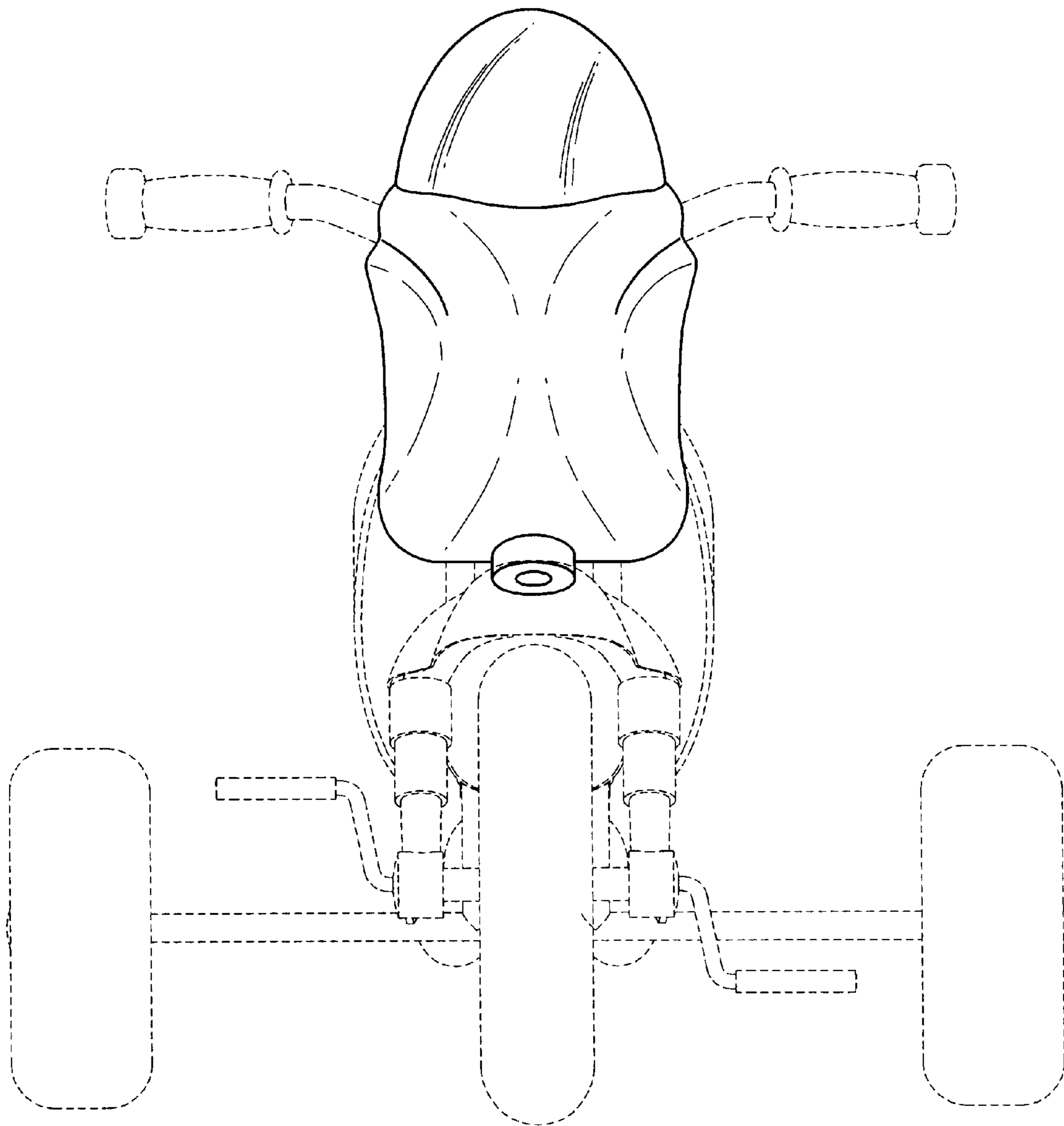


FIG. 5

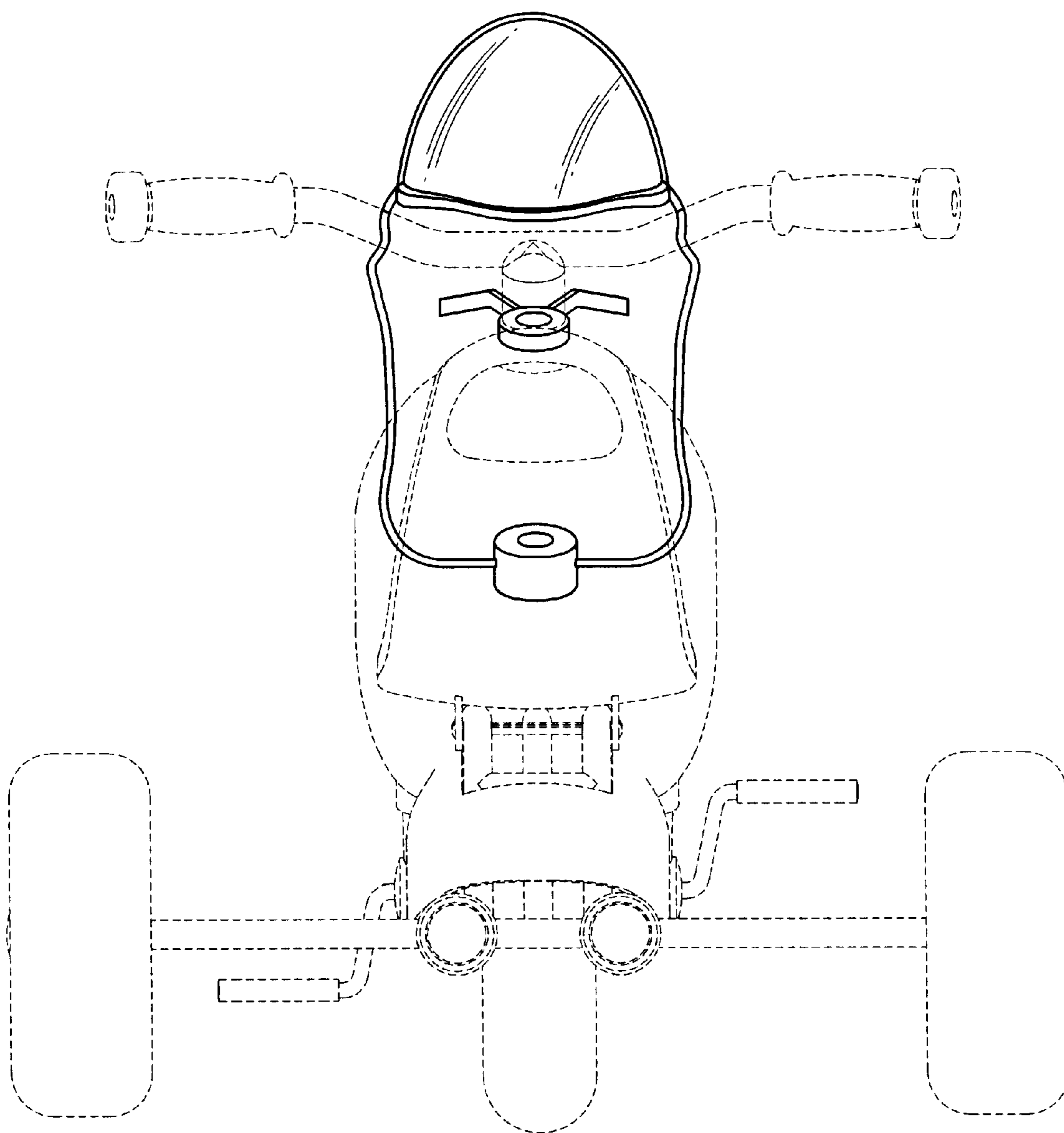


FIG. 6

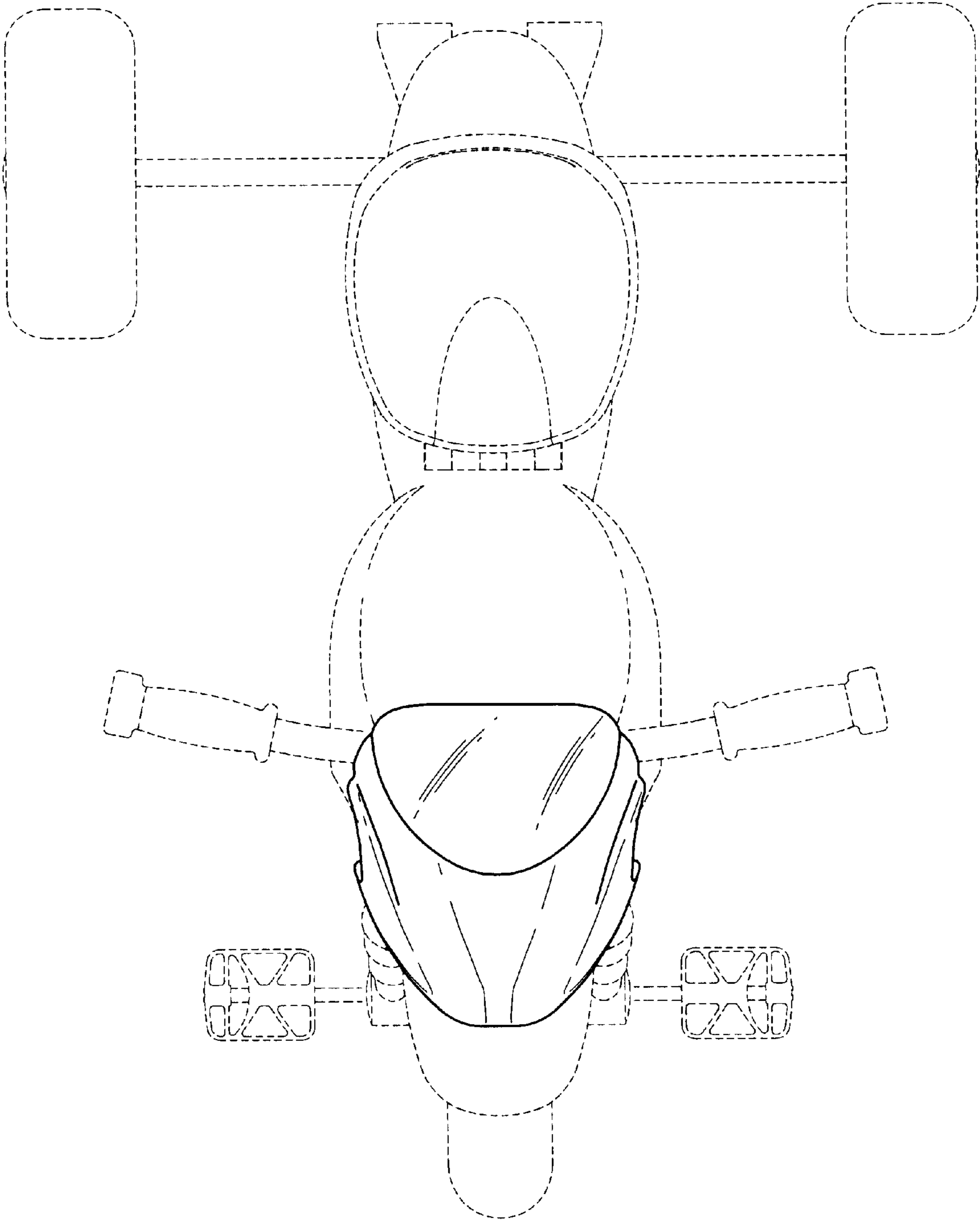


FIG. 7

