



US00D521427S

(12) **United States Design Patent**
Tsai

(10) **Patent No.:** **US D521,427 S**

(45) **Date of Patent:** **** May 23, 2006**

(54) **BRAKE LEVER**

D392,233 S * 3/1998 Masui D12/179

(75) Inventor: **Szu-Fang Tsai**, Chang-Hua Hsien (TW)

* cited by examiner

(73) Assignee: **Tektro Technology Corporation**,
Chang-Hua Hsien (TW)

Primary Examiner—Alan P. Douglas

Assistant Examiner—Lihda Brooks

(74) *Attorney, Agent, or Firm*—Leong C. Lei

(**) Term: **14 Years**

(57) **CLAIM**

(21) Appl. No.: **29/215,561**

The ornamental design for a brake lever, as shown and described.

(22) Filed: **Oct. 22, 2004**

(51) **LOC (8) Cl.** **12-16**

(52) **U.S. Cl.** **D12/179**

(58) **Field of Classification Search** D12/111,
D12/179, 180; 74/486–489, 551.7–551.9,
74/502.2, 491, 519, 522–525, 473.13–473.15;
188/24.11, 344, 24.21, 359, 24.22, 24.14,
188/24, 15, 2 D

See application file for complete search history.

DESCRIPTION

FIG. 1 is a perspective view of a brake lever showing my new design;

FIG. 2 is a front side elevation view thereof;

FIG. 3 is a rear side elevation view thereof;

FIG. 4 is a left side elevation view thereof;

FIG. 5 is a right side elevation view thereof;

FIG. 6 is a top plan view thereof; and,

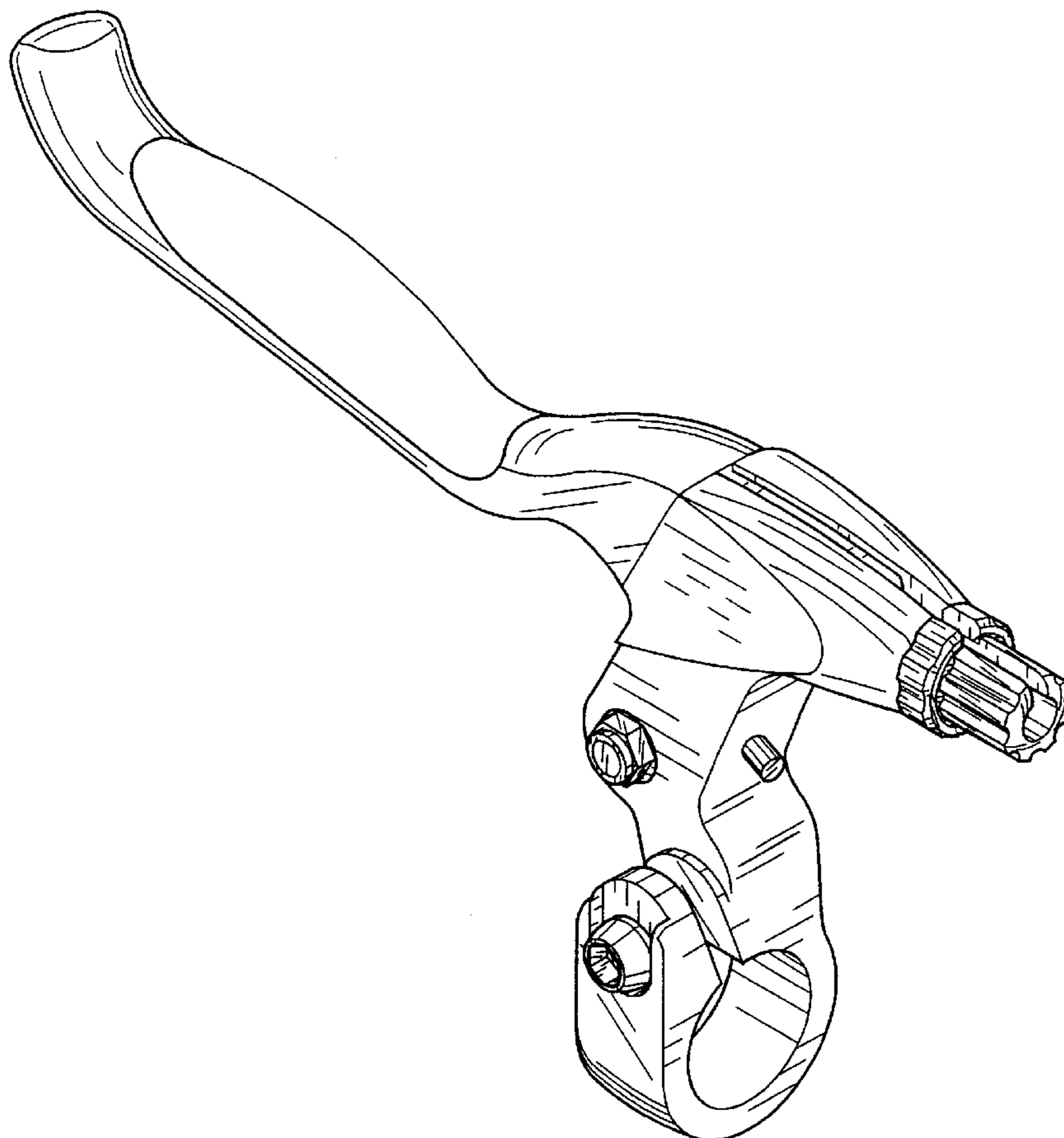
FIG. 7 is a bottom plan view thereof.

(56) **References Cited**

U.S. PATENT DOCUMENTS

D386,734 S * 11/1997 Nishimura D12/179

1 Claim, 5 Drawing Sheets



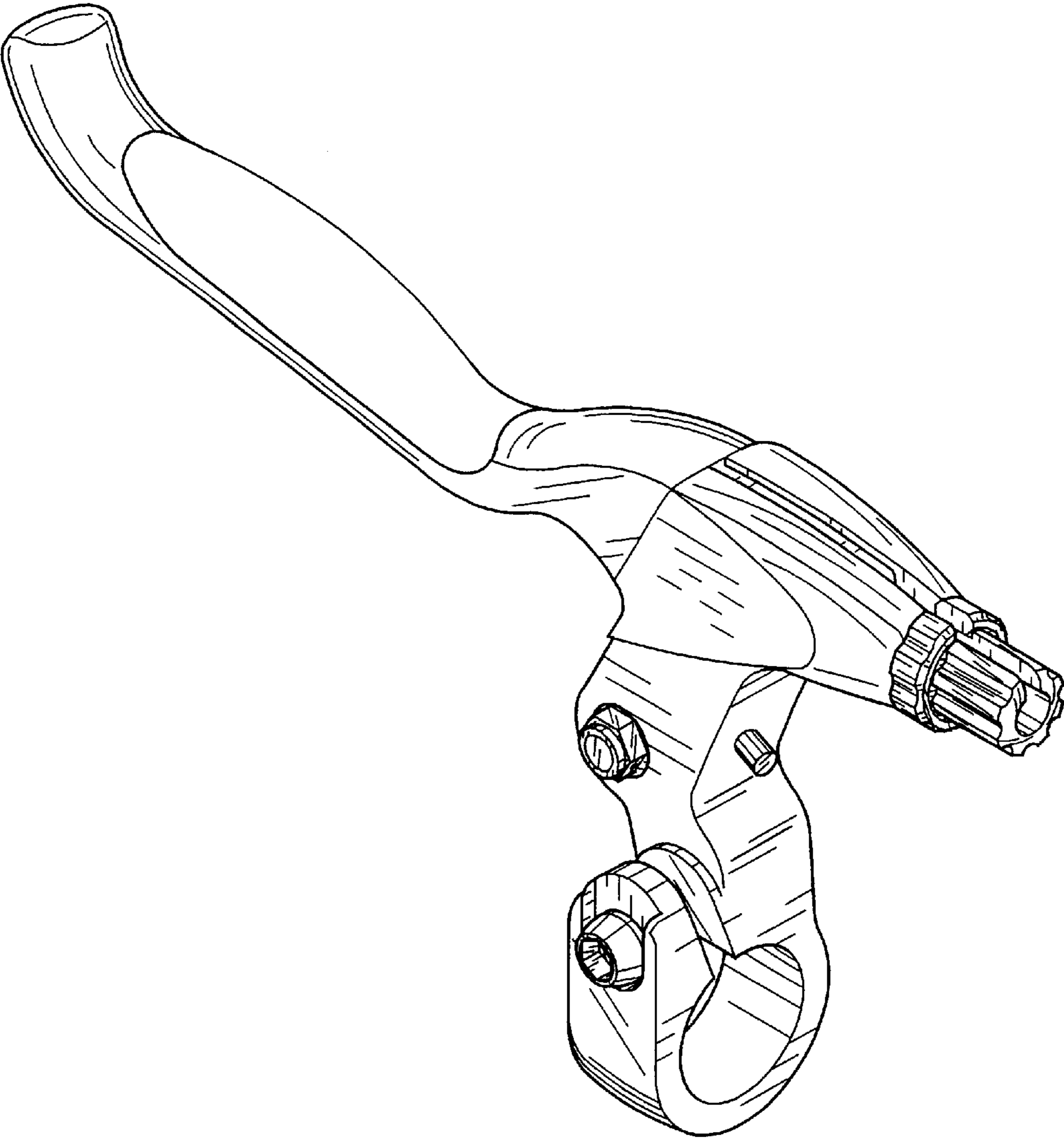


FIG. 1

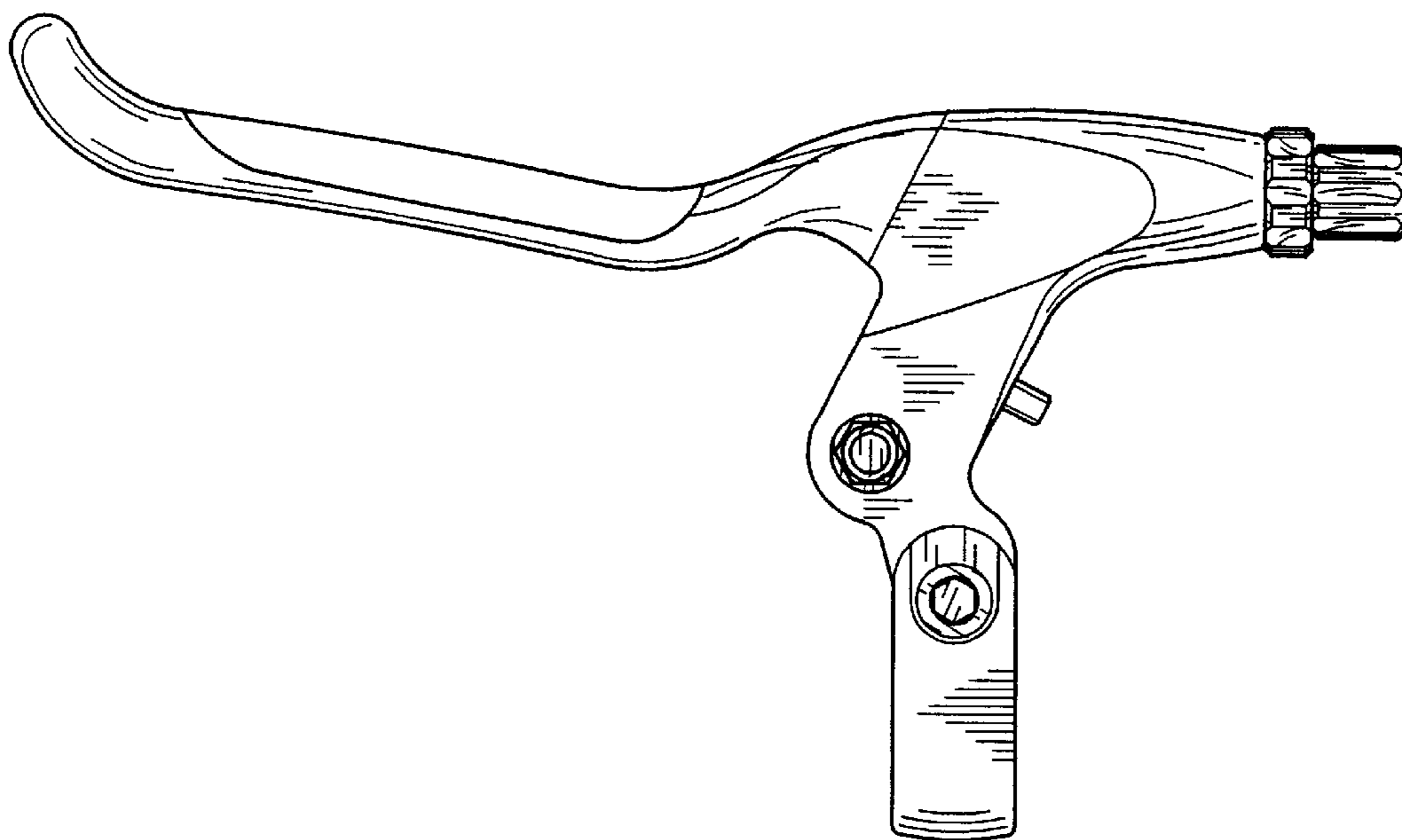


FIG. 2

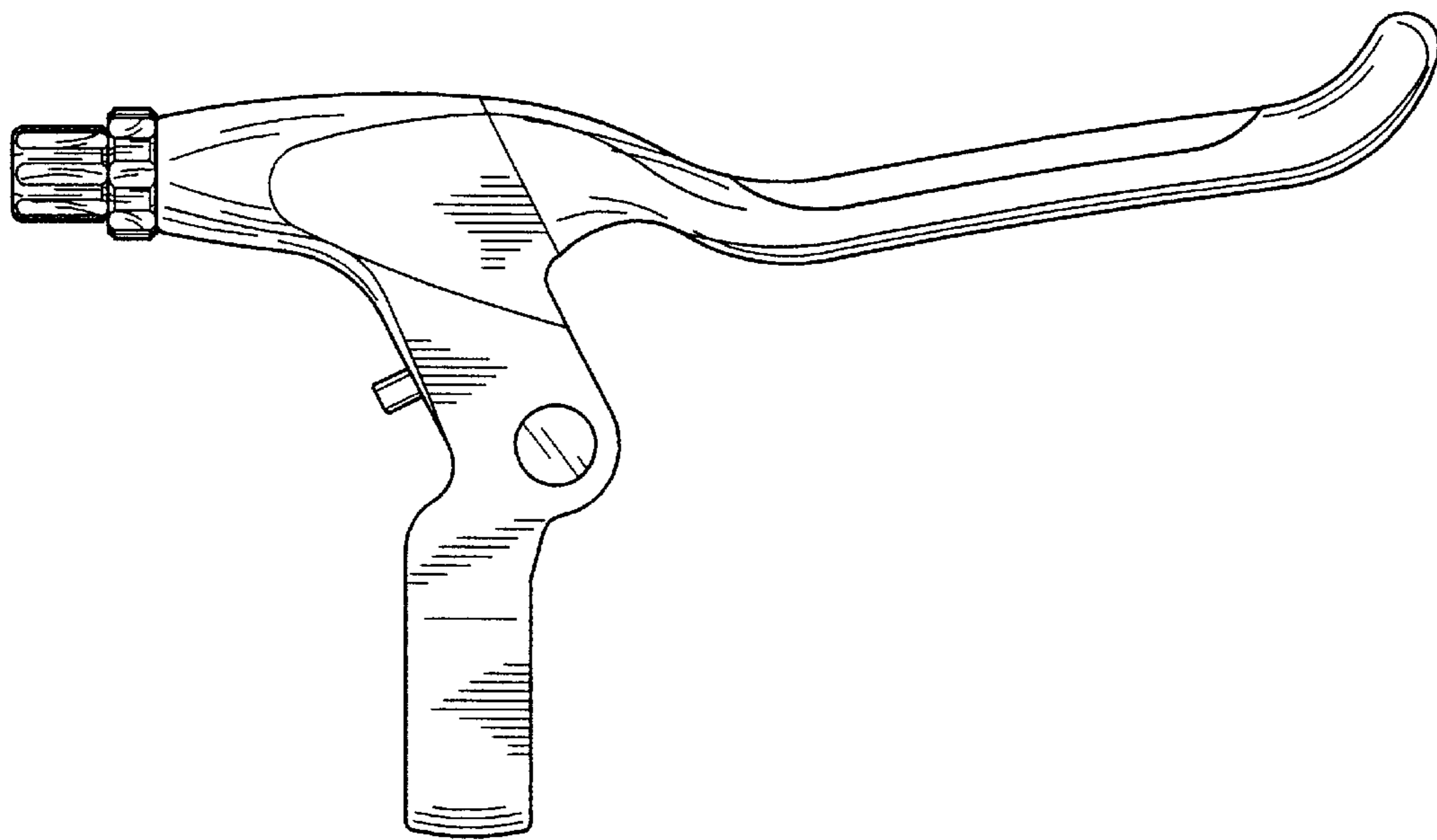


FIG. 3

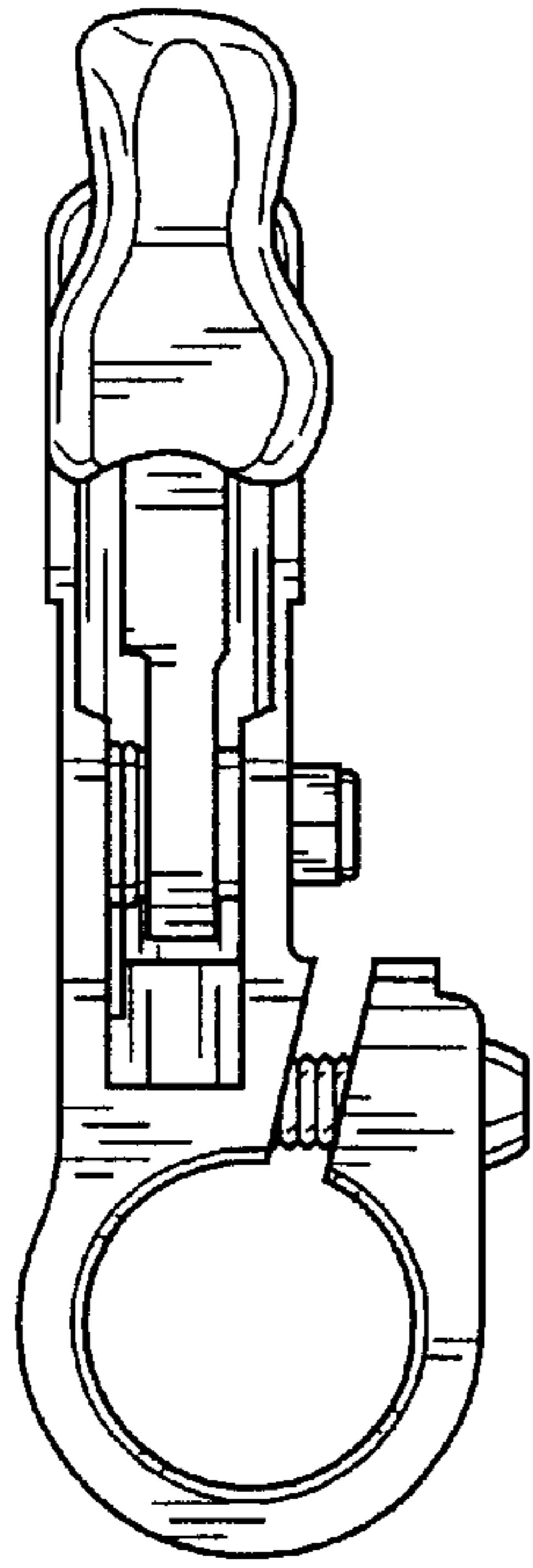


FIG. 4

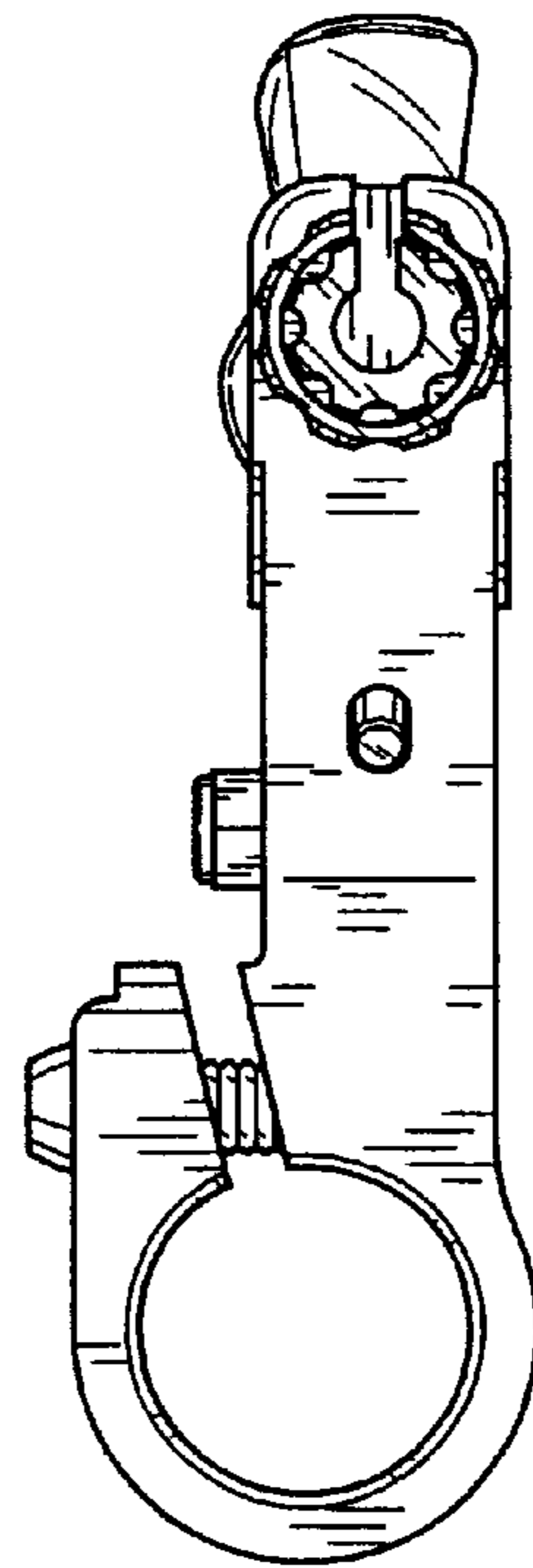


FIG. 5

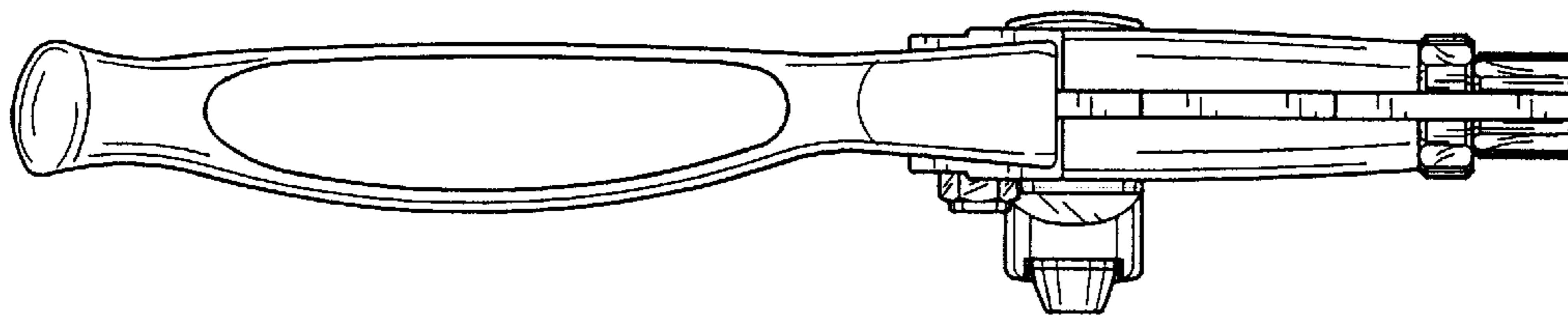


FIG. 6

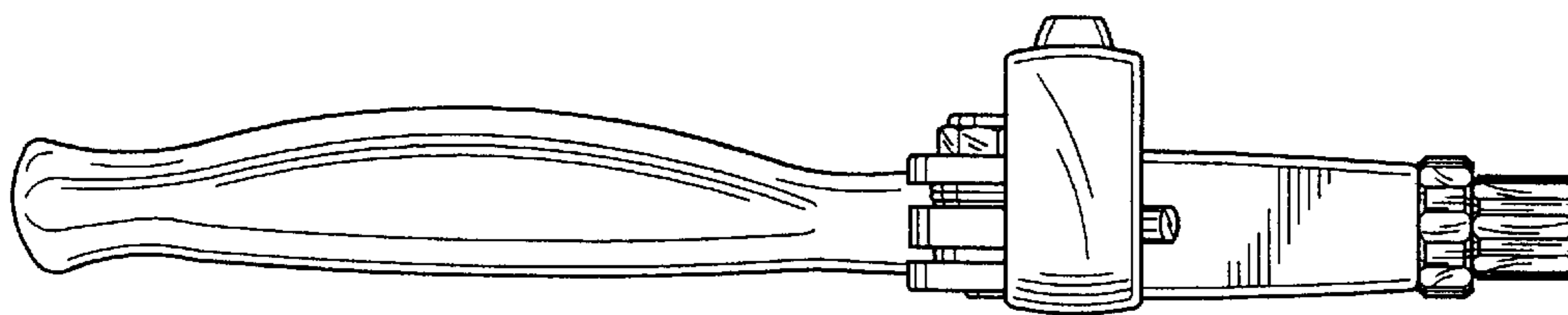


FIG. 7