



US00D521422S

(12) **United States Design Patent**
Williams

(10) **Patent No.:** **US D521,422 S**
(45) **Date of Patent:** **** May 23, 2006**

(54) **FOLDING STROLLER TRAY**

DESCRIPTION

(75) Inventor: **Bruce L. Williams**, Denver, PA (US)
(73) Assignee: **Chicco USA, Inc.**, Lancaster, PA (US)
(**) Term: **14 Years**
(21) Appl. No.: **29/224,827**
(22) Filed: **Mar. 8, 2005**
(51) **LOC (8) Cl.** **12-12**
(52) **U.S. Cl.** **D12/133**
(58) **Field of Classification Search** D12/128-133;
224/42.46, 42.42; 220/23.83; 135/67.65,
135/75.85
See application file for complete search history.

FIG. 1 is a front perspective, looking from the top, of a folding stroller tray according to my new design;
FIG. 2 is a rear perspective thereof looking from the top;
FIG. 3 is a right side elevational thereof, the left side being the mirror image;
FIG. 4 is a top plan thereof;
FIG. 5 is a front elevation thereof;
FIG. 6 is a rear elevation thereof;
FIG. 7 is a bottom plan thereof;
FIG. 8 is a front perspective, looking from the top, of an alternate embodiment of a folding stroller tray according to my new design;
FIG. 9 is a rear perspective, looking from the top, of the alternative embodiment of FIG. 8;
FIG. 10 is a right side elevation of the alternative embodiment of FIG. 8, the left side being the mirror image;
FIG. 11 is a top plan of the alternative embodiment of FIG. 8;
FIG. 12 is a front elevation of the alternative embodiment of FIG. 8;
FIG. 13 is a rear elevation of the alternative embodiment of FIG. 8; and,
FIG. 14 is a bottom plan of the alternative embodiment of FIG. 8.
The broken line showing of a support attachment is for illustrative purposes only and forms no part of the claimed design.

(56) **References Cited**

U.S. PATENT DOCUMENTS

D357,440 S * 4/1995 Pietra D12/133
5,649,737 A * 7/1997 Behnke 297/170
D470,803 S * 2/2003 Hansen D12/133

* cited by examiner

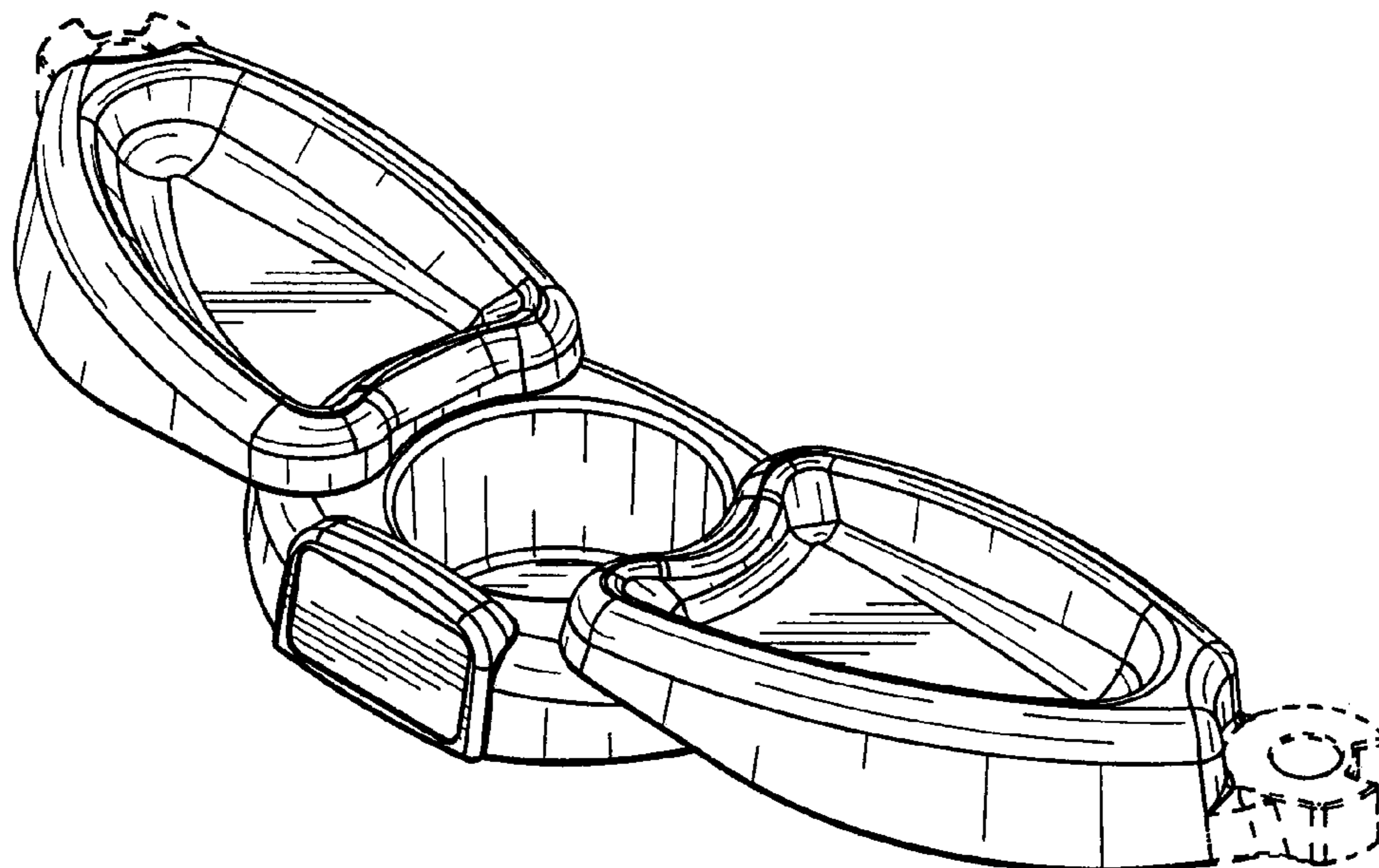
Primary Examiner—Marcus A. Jackson

(74) *Attorney, Agent, or Firm*—Volpe and Koenig, P.C.

(57) **CLAIM**

The ornamental designs for a folding stroller tray, as shown and described above.

1 Claim, 6 Drawing Sheets



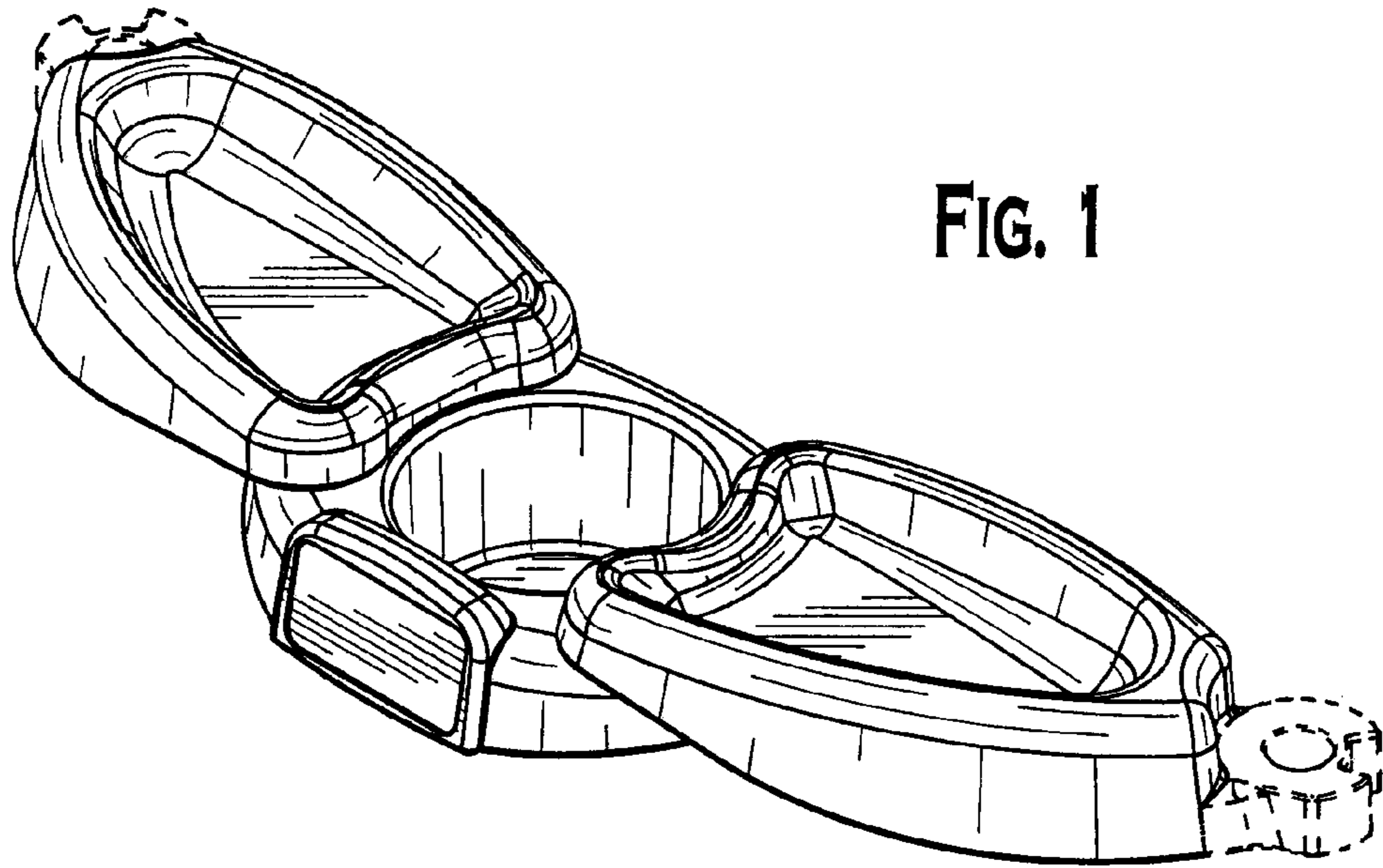


FIG. 1

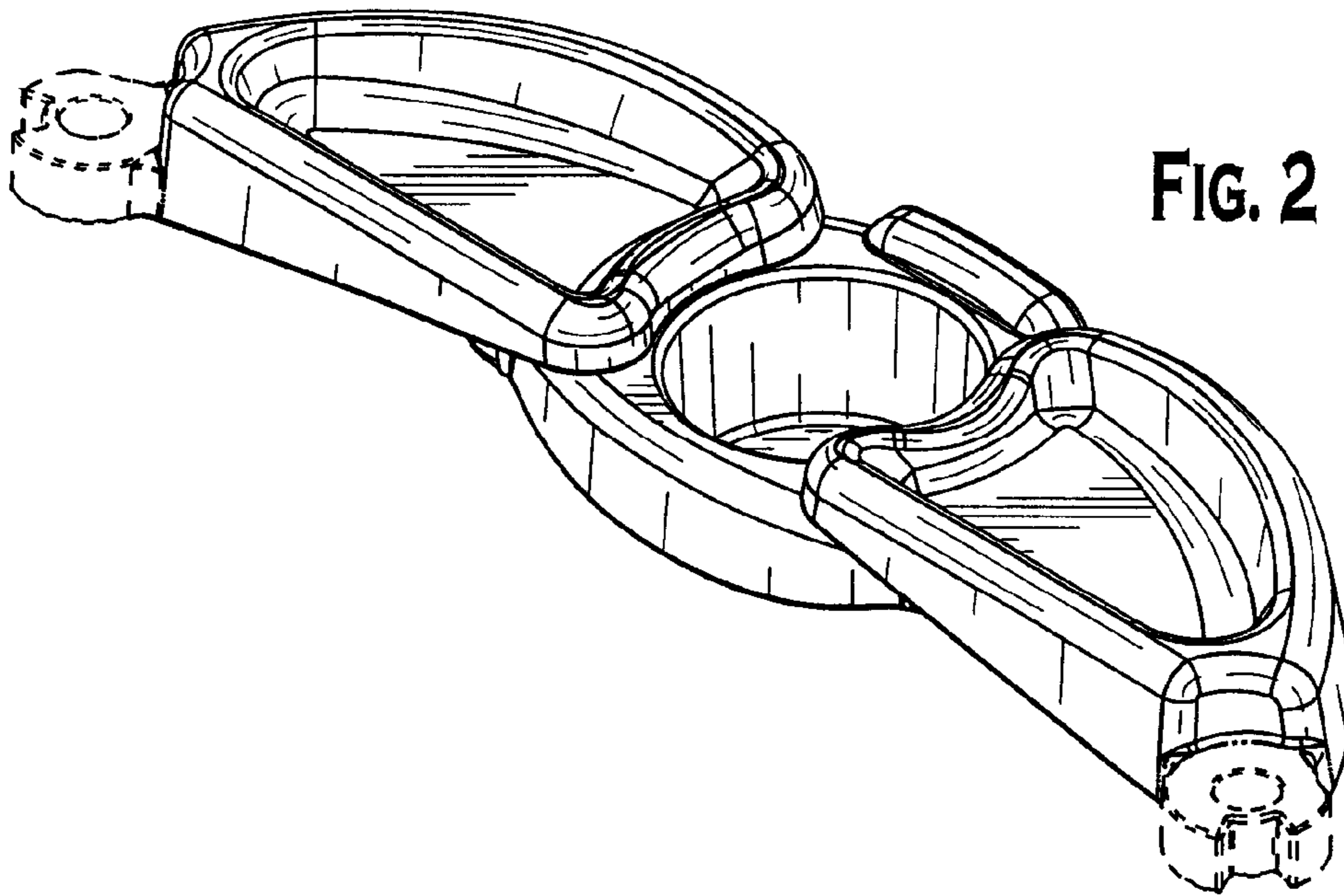


FIG. 2

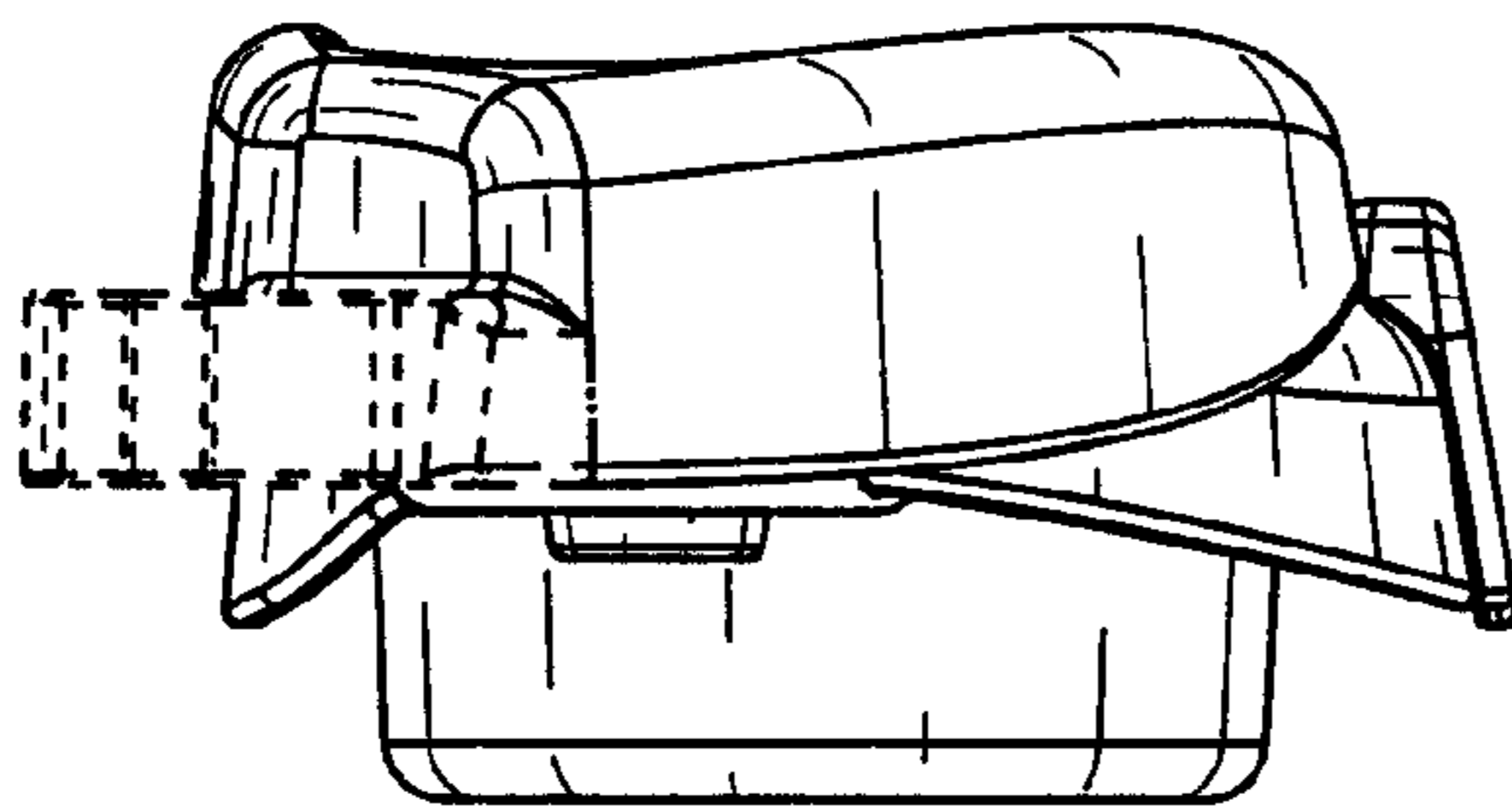


FIG. 3

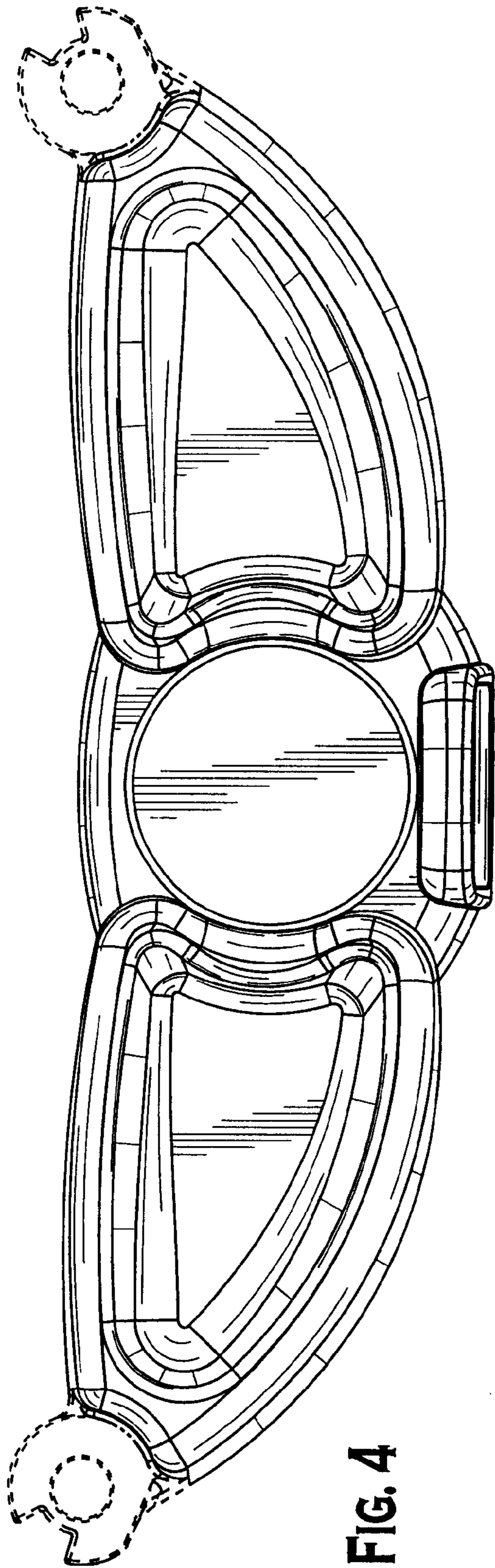


FIG. 4

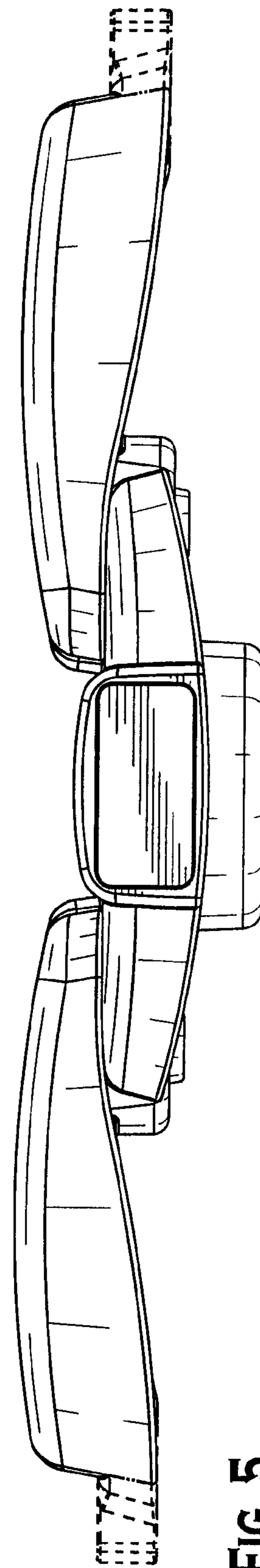


FIG. 5

FIG. 6

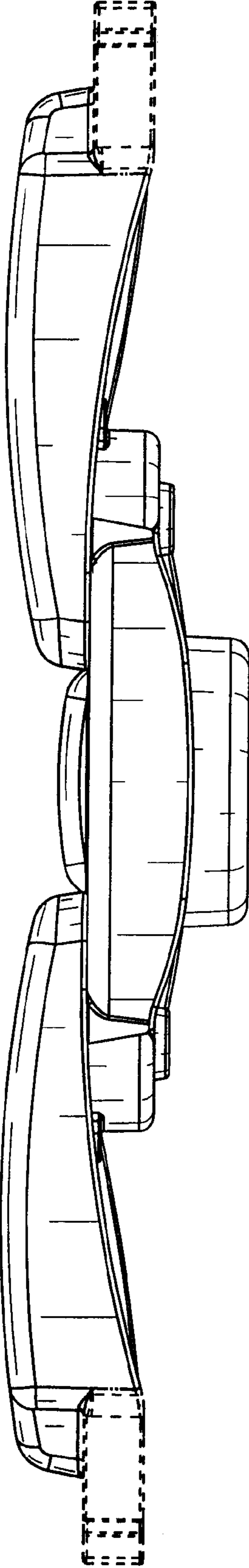
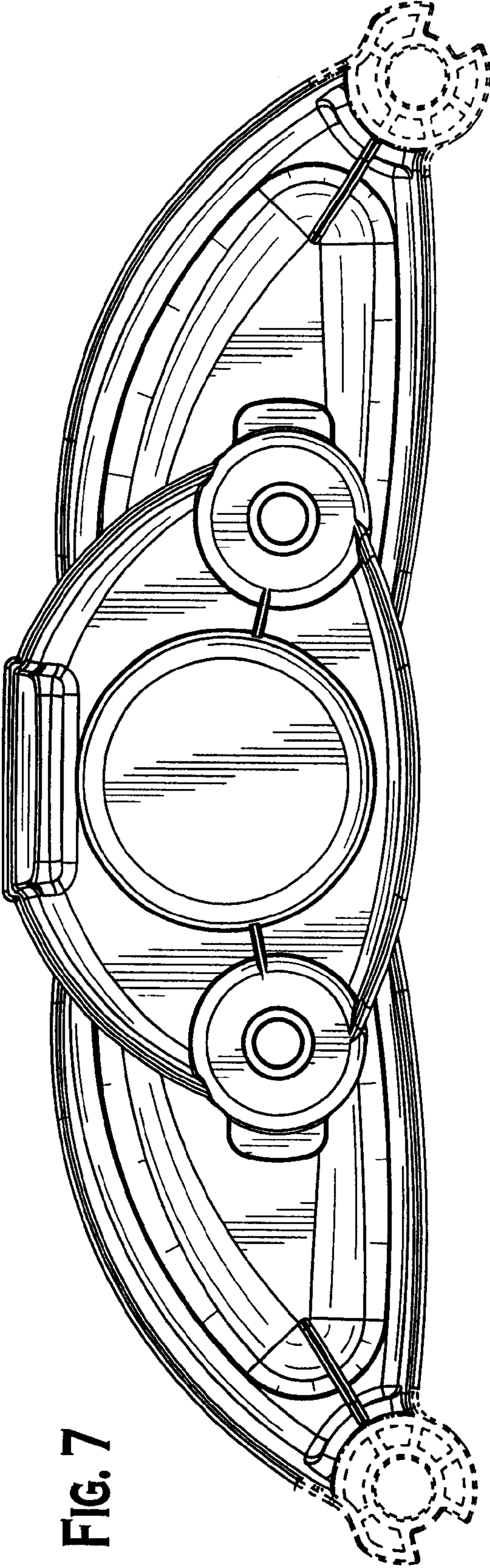


FIG. 7



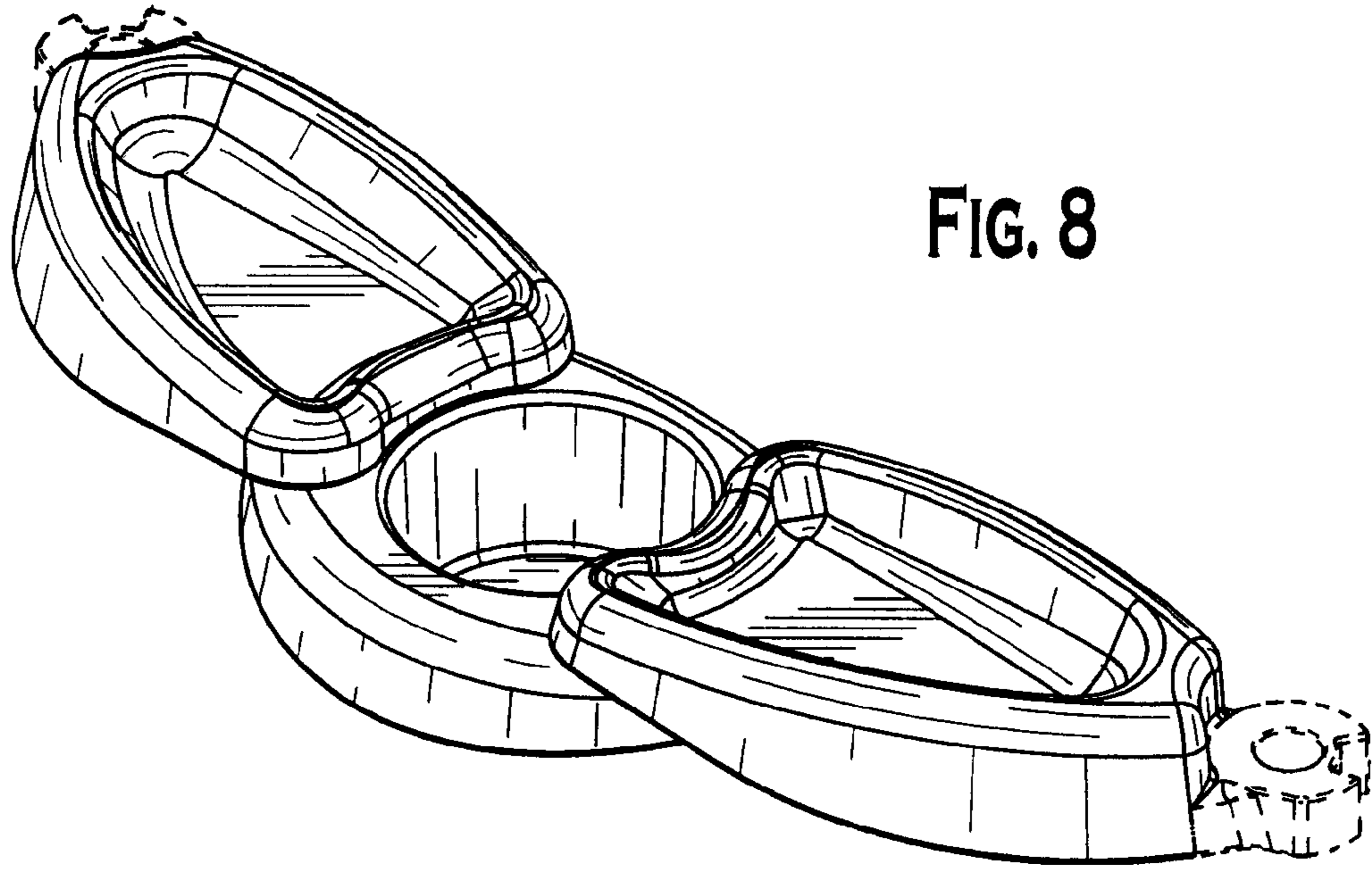


FIG. 8

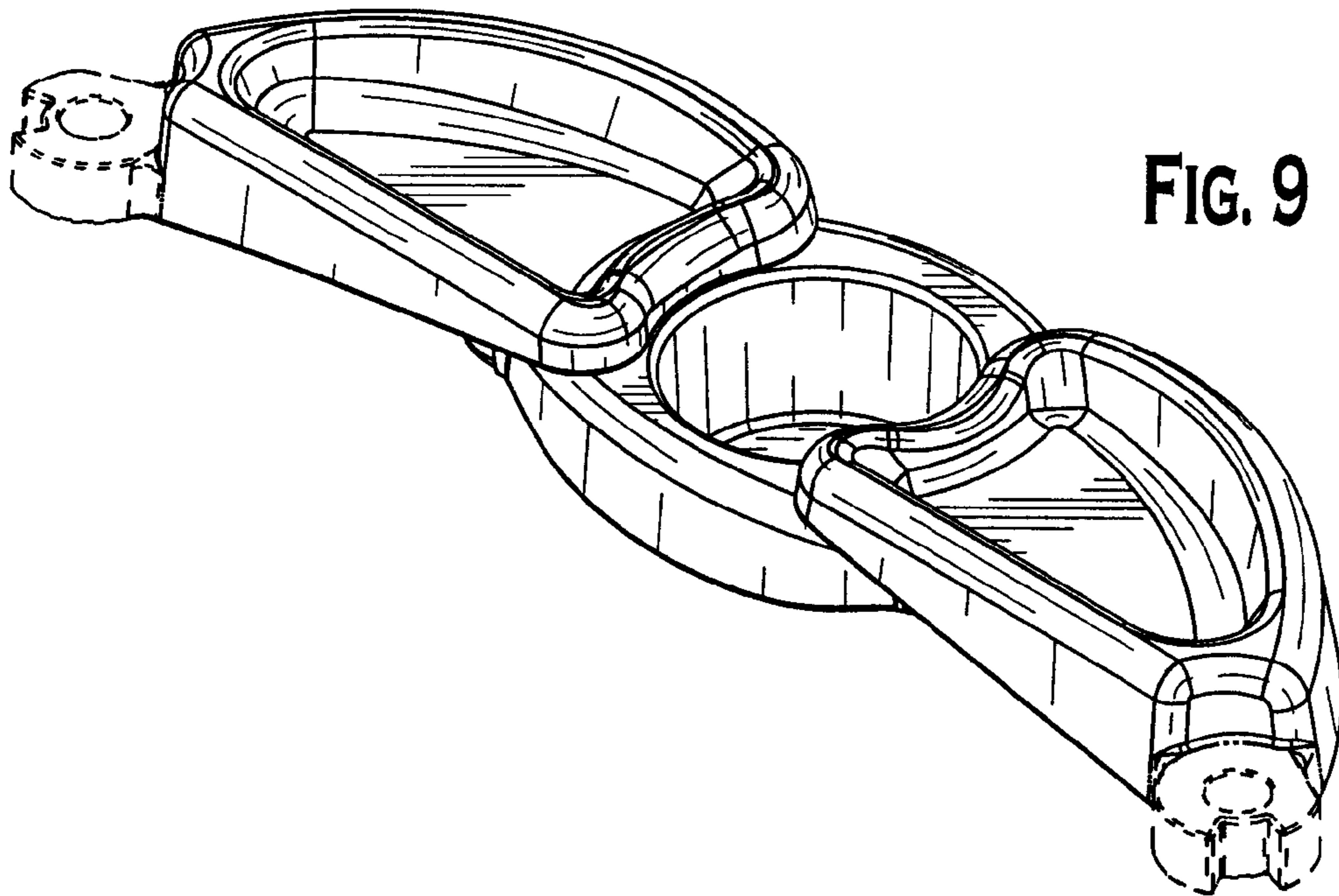


FIG. 9

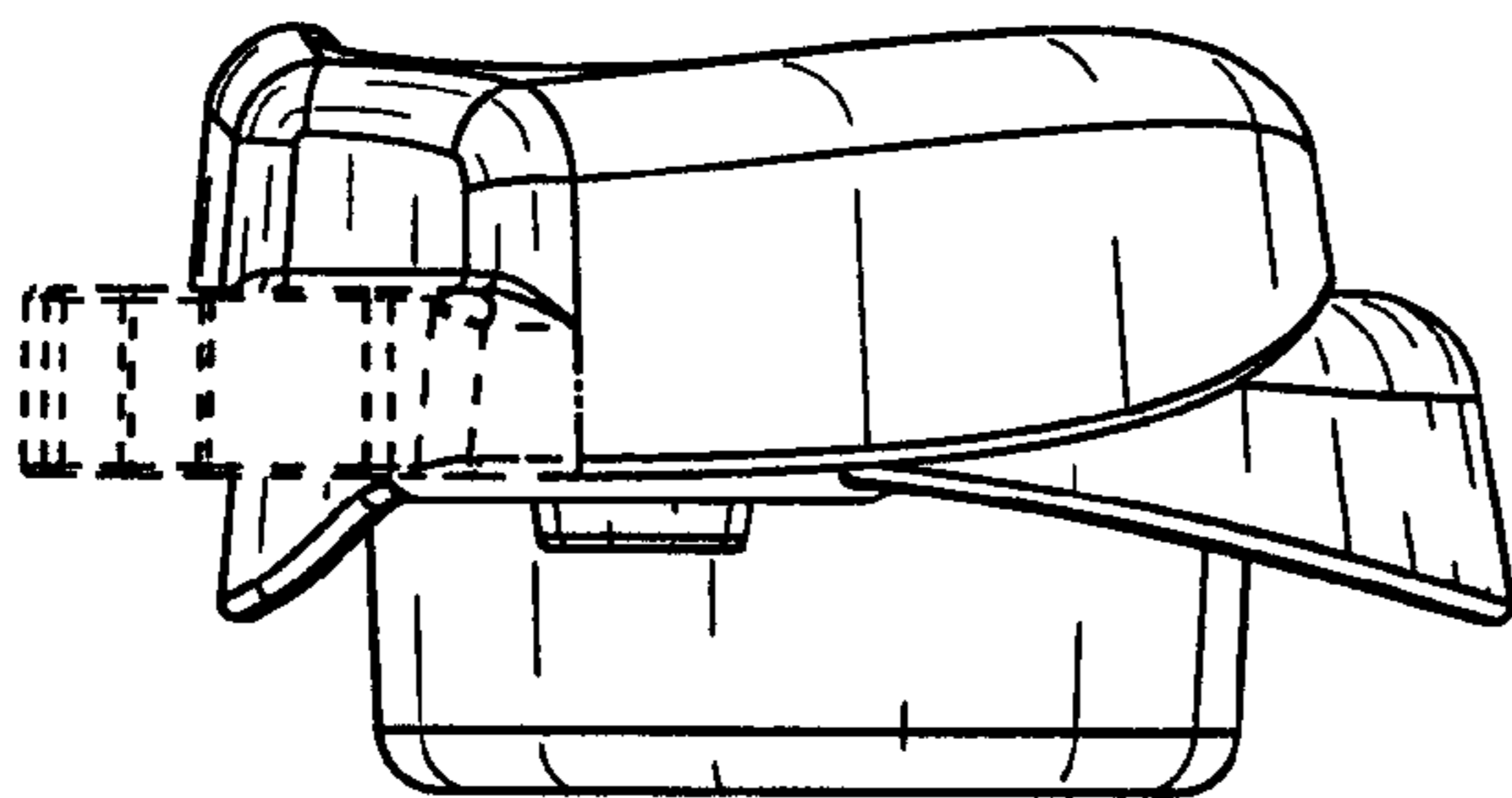


FIG. 10

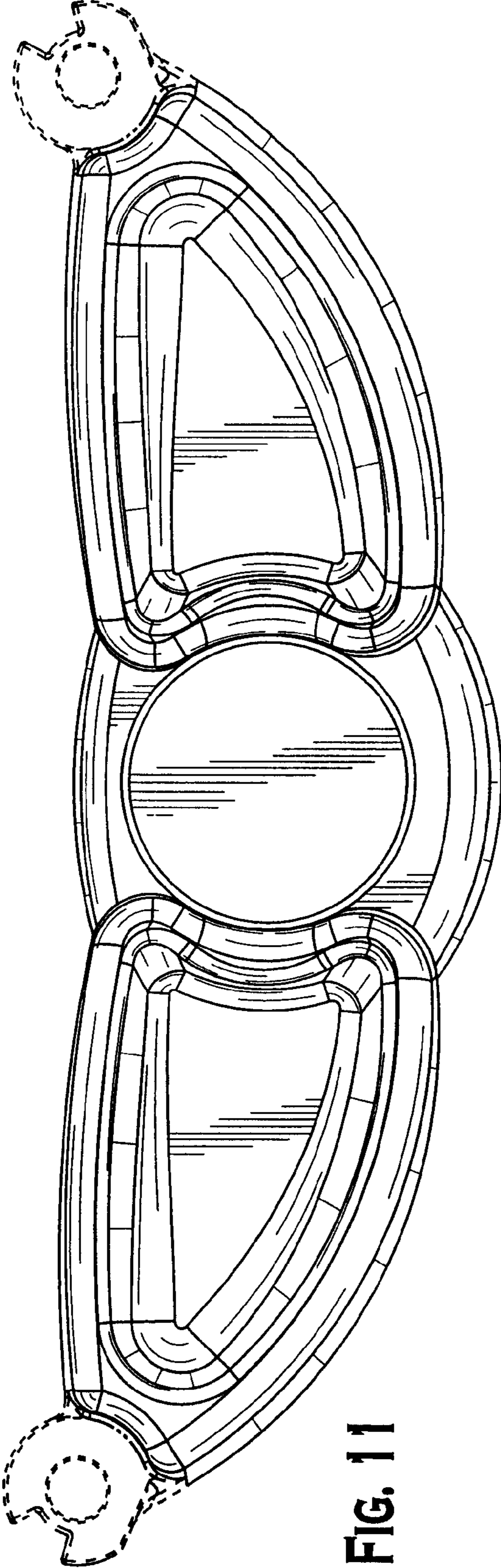


FIG. 11

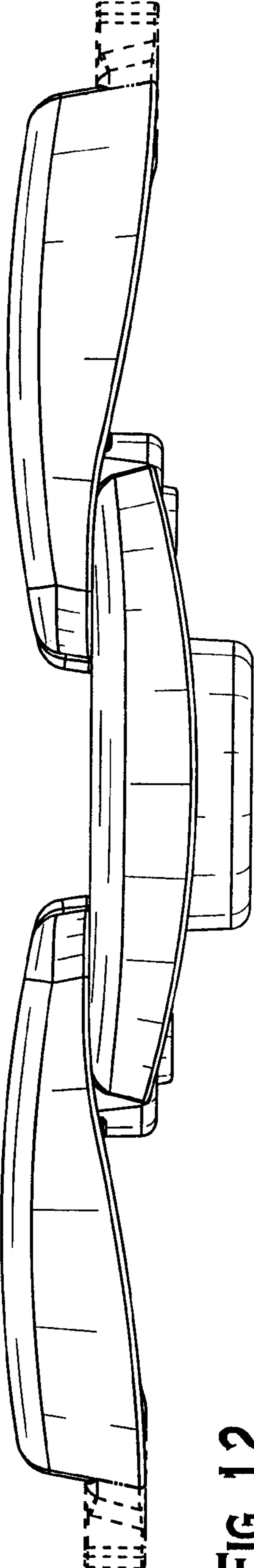


FIG. 12

FIG. 13

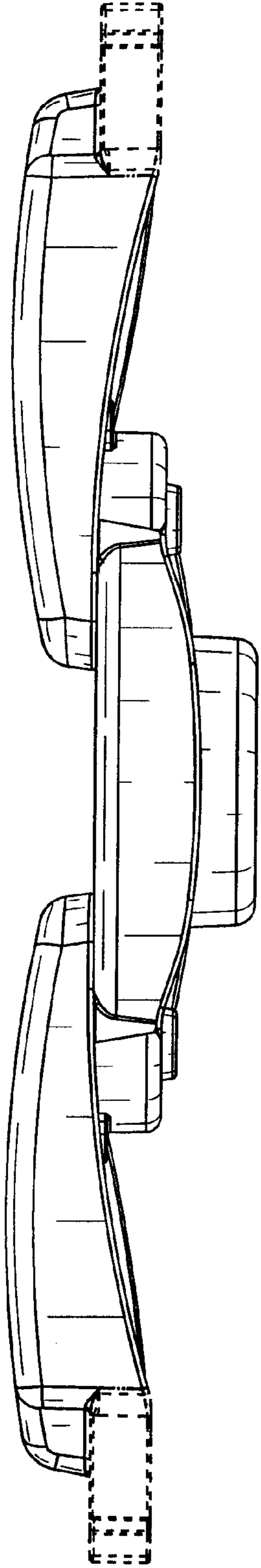


FIG. 14

