



US00D521421S

(12) **United States Design Patent**
Okada

(10) **Patent No.:** **US D521,421 S**

(45) **Date of Patent:** **** May 23, 2006**

(54) **BICYCLE PEDAL**

(75) Inventor: **Shigekatsu Okada**, Sakai (JP)

(73) Assignee: **Shimano Inc.**, Osaka (JP)

(**) Term: **14 Years**

(21) Appl. No.: **29/224,193**

(22) Filed: **Feb. 28, 2005**

(30) **Foreign Application Priority Data**

Nov. 12, 2004 (JP) 2004-034582

(51) **LOC (8) Cl.** **12-11**

(52) **U.S. Cl.** **D12/125**

(58) **Field of Classification Search** D12/111,
D12/125; 74/594.1-594.7

See application file for complete search history.

(56) **References Cited**

U.S. PATENT DOCUMENTS

4,811,626 A * 3/1989 Bezin 74/594.1

D319,808 S * 9/1991 Cook D12/123

5,197,353 A * 3/1993 Trenergy et al. 74/594.1

* cited by examiner

Primary Examiner—Alan P. Douglas

Assistant Examiner—Linda Brooks

(74) *Attorney, Agent, or Firm*—Shinju Global IP
Counselors, LLP

(57) **CLAIM**

The ornamental design for a bicycle pedal, as shown and described.

DESCRIPTION

FIG. 1 is a perspective view of the bicycle pedal in accordance with my new design;

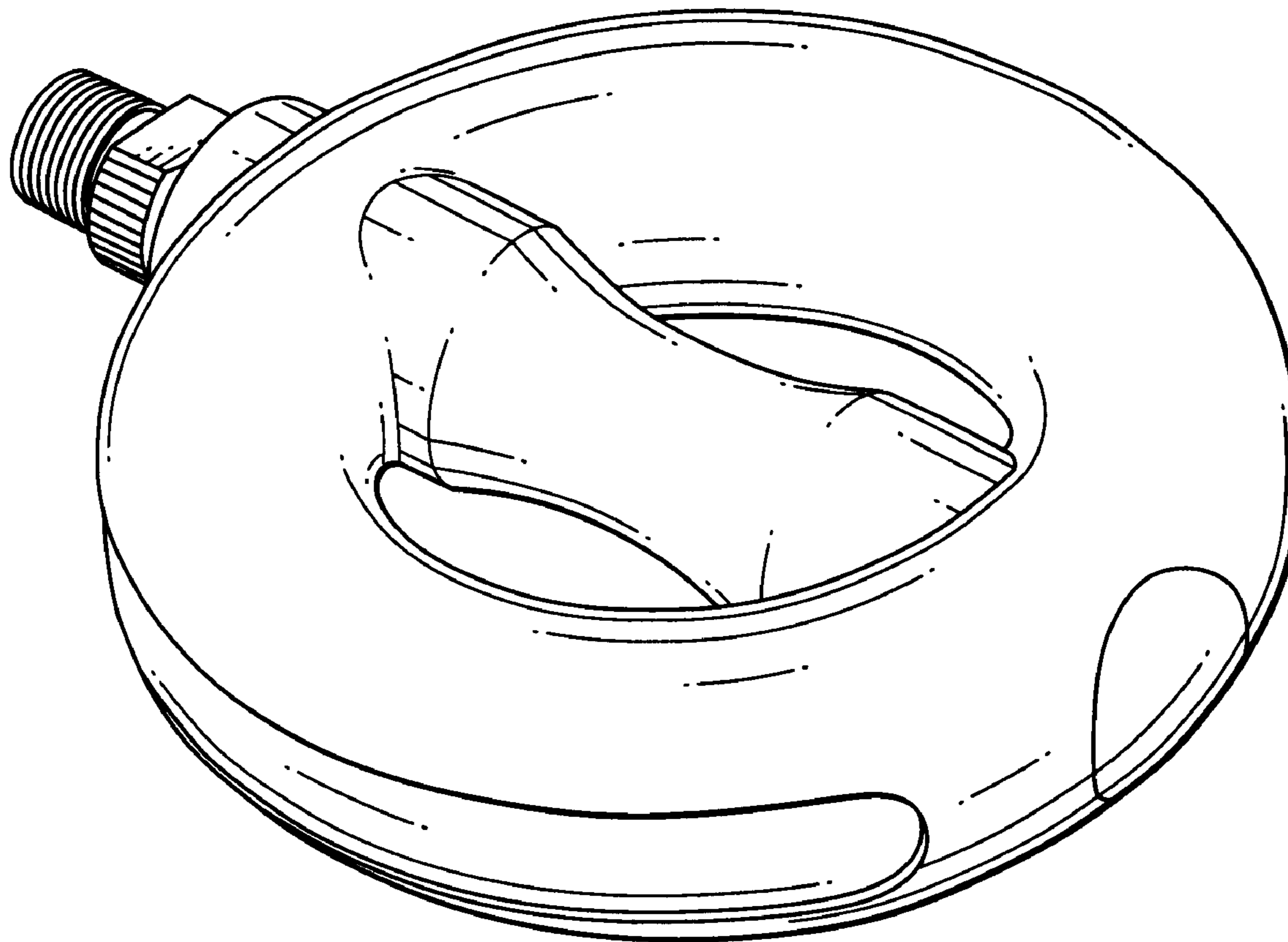
FIG. 2 is a top plan elevational view of the bicycle pedal in accordance with my new design, with the bottom plan view being a mirror image;

FIG. 3 is an inside edge elevational view of the bicycle pedal in accordance with my new design;

FIG. 4 is an outside edge elevational view of the bicycle pedal in accordance with my new design; and,

FIG. 5 is a rear edge elevational view of the bicycle pedal in accordance with my new design, with the front edge elevational view being a mirror image.

1 Claim, 2 Drawing Sheets



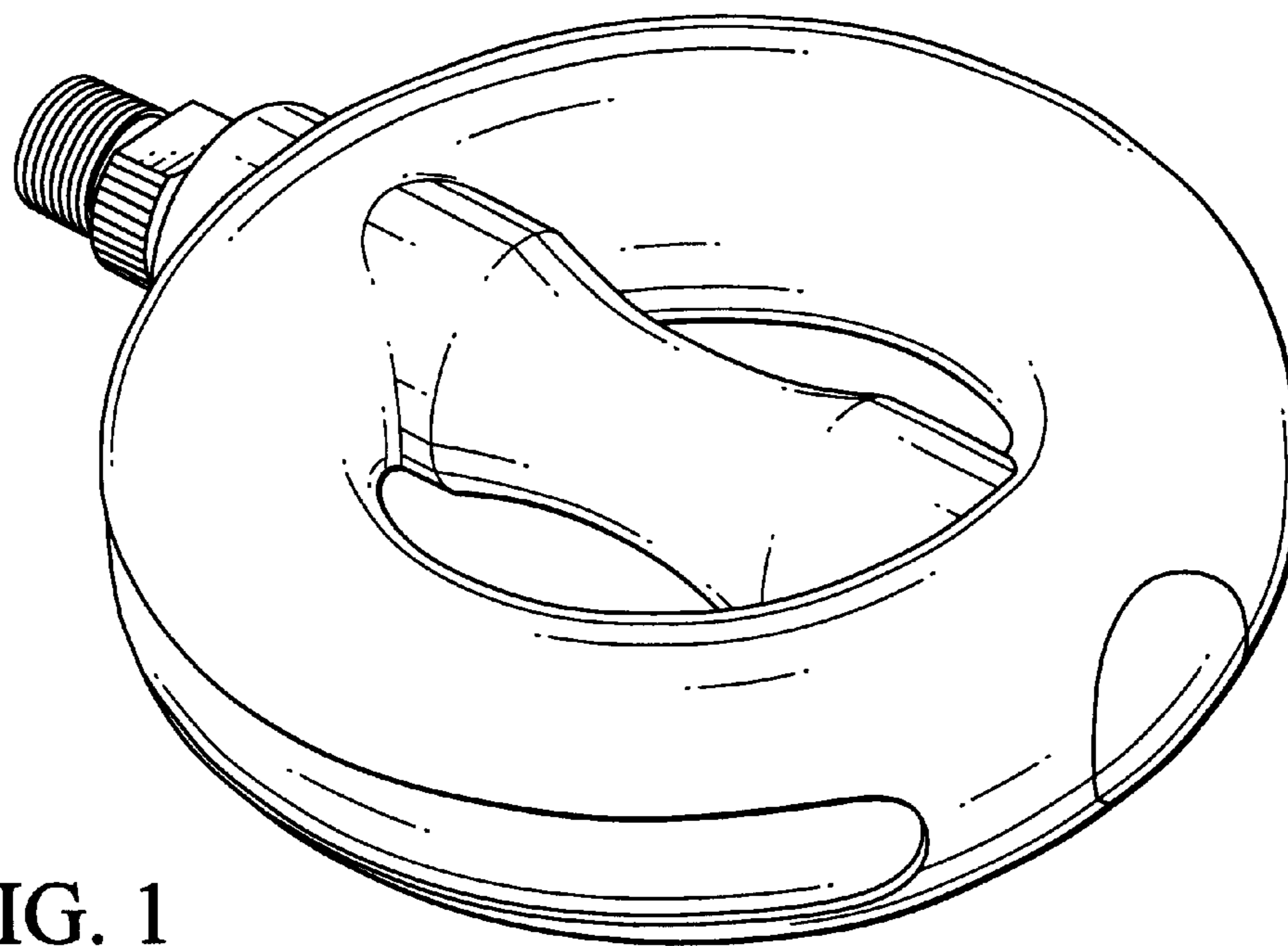


FIG. 1

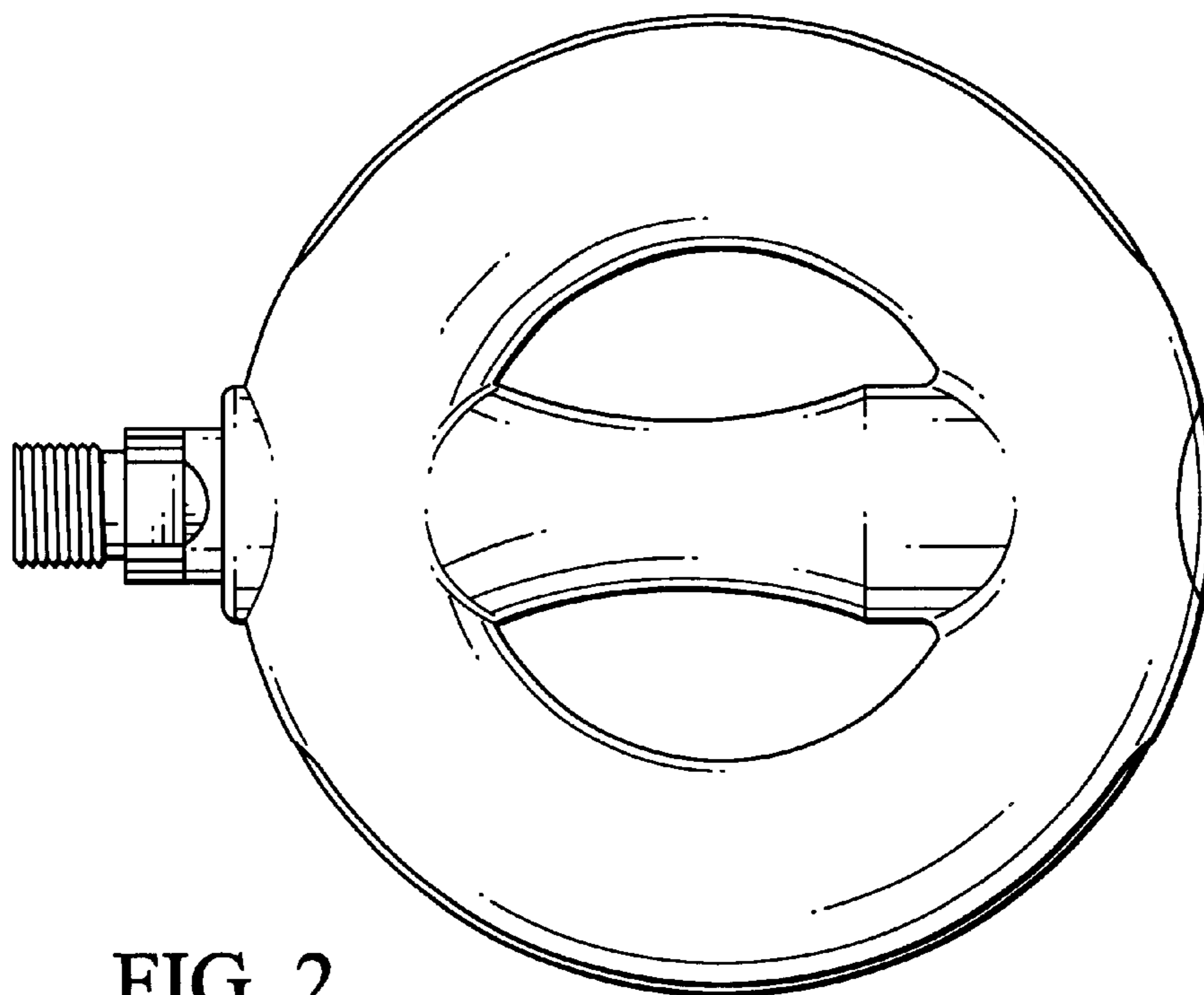


FIG. 2

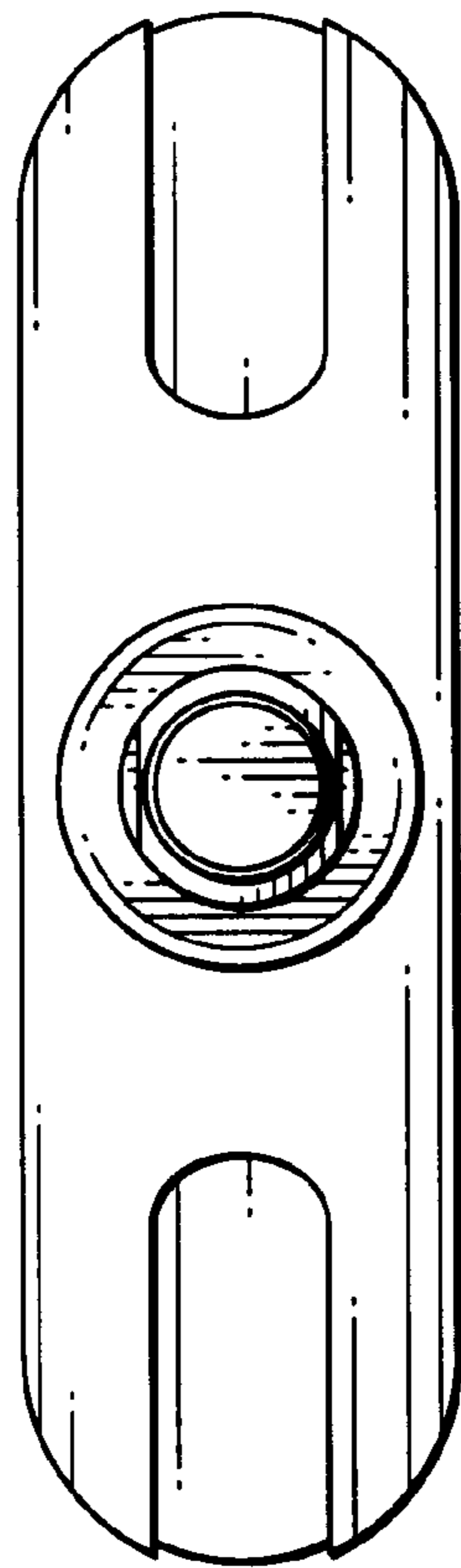


FIG. 3

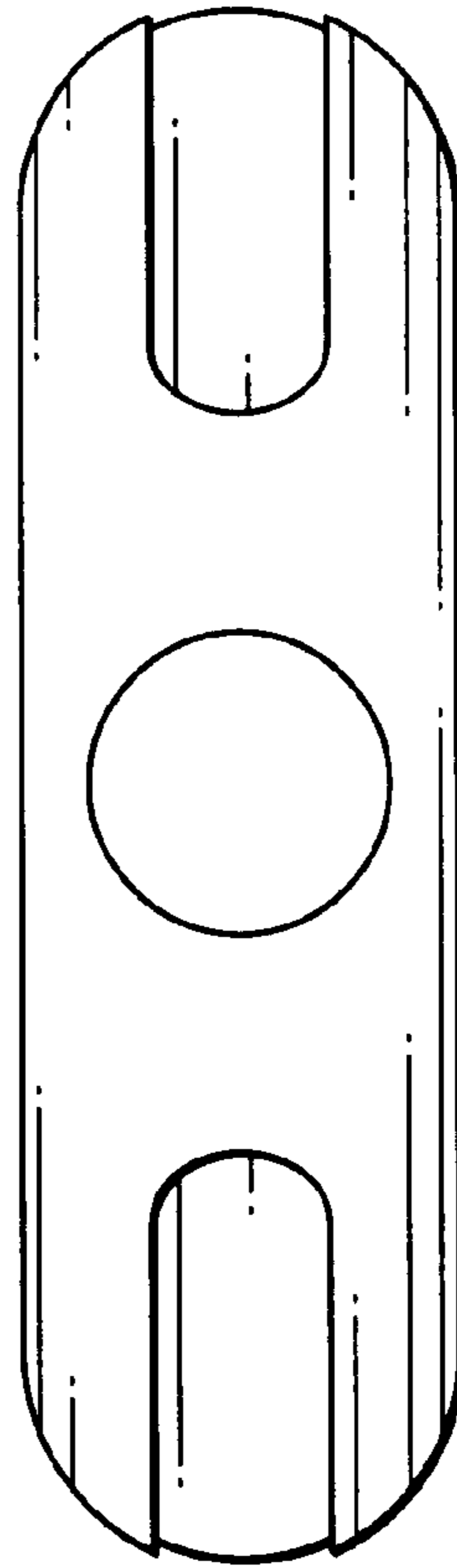


FIG. 4

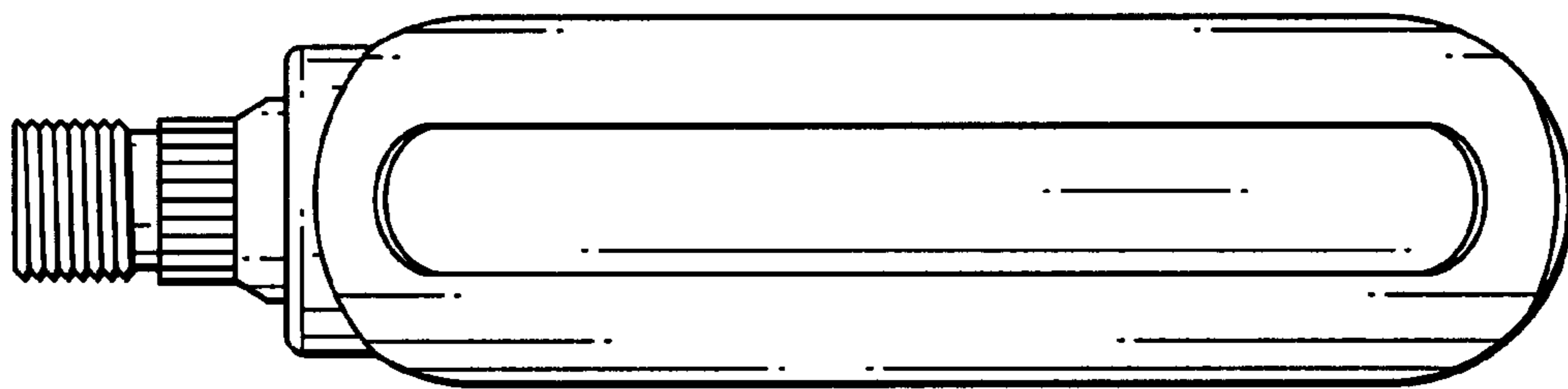


FIG. 5