

US00D521419S

(12) **United States Design Patent**
Mezzasalma

(10) **Patent No.:** **US D521,419 S**
(45) **Date of Patent:** **** May 23, 2006**

(54) **SWING ARM FOR MOTORCYCLES**

(76) Inventor: **Jeroma Mezzasalma**, 1627 Boyd St.,
Santa Ana, CA (US) 92705

(**) Term: **14 Years**

(21) Appl. No.: **29/230,871**

(22) Filed: **May 26, 2005**

(51) **LOC (8) Cl.** **12-11**

(52) **U.S. Cl.** **D12/117**

(58) **Field of Classification Search** D12/110,
D12/114, 117, 118, 159; 180/219, 227, 311,
180/312; 280/281.1, 283, 288, 284-286,
280/288.1, 288.2, 288.3, 288.4, 274, 275
See application file for complete search history.

(56) **References Cited**

U.S. PATENT DOCUMENTS

D503,363 S * 3/2005 Alsop D12/117

OTHER PUBLICATIONS

Swing Arm from:<URL: <http://www.rebelyellcycles.com/parts%20pages/swingarm.html> (enlarged on http://www.com/parts%20pages/parts/swingarm_cu.jpg), © 2003, retrieved from the Internet Dec. 6, 2005.*

* cited by examiner

Primary Examiner—Alan P. Douglas

Assistant Examiner—Linda Brooks

(74) *Attorney, Agent, or Firm*—Edgar W. Averill, Jr.;
Kenneth L. Green

(57) **CLAIM**

The ornamental design for a swing arm for motorcycles, as shown.

DESCRIPTION

FIG. 1 is a perspective view showing the left side and rear of the swing arm for motorcycles showing my new design.

FIG. 2 is a left side view thereof.

FIG. 3 is a top view thereof.

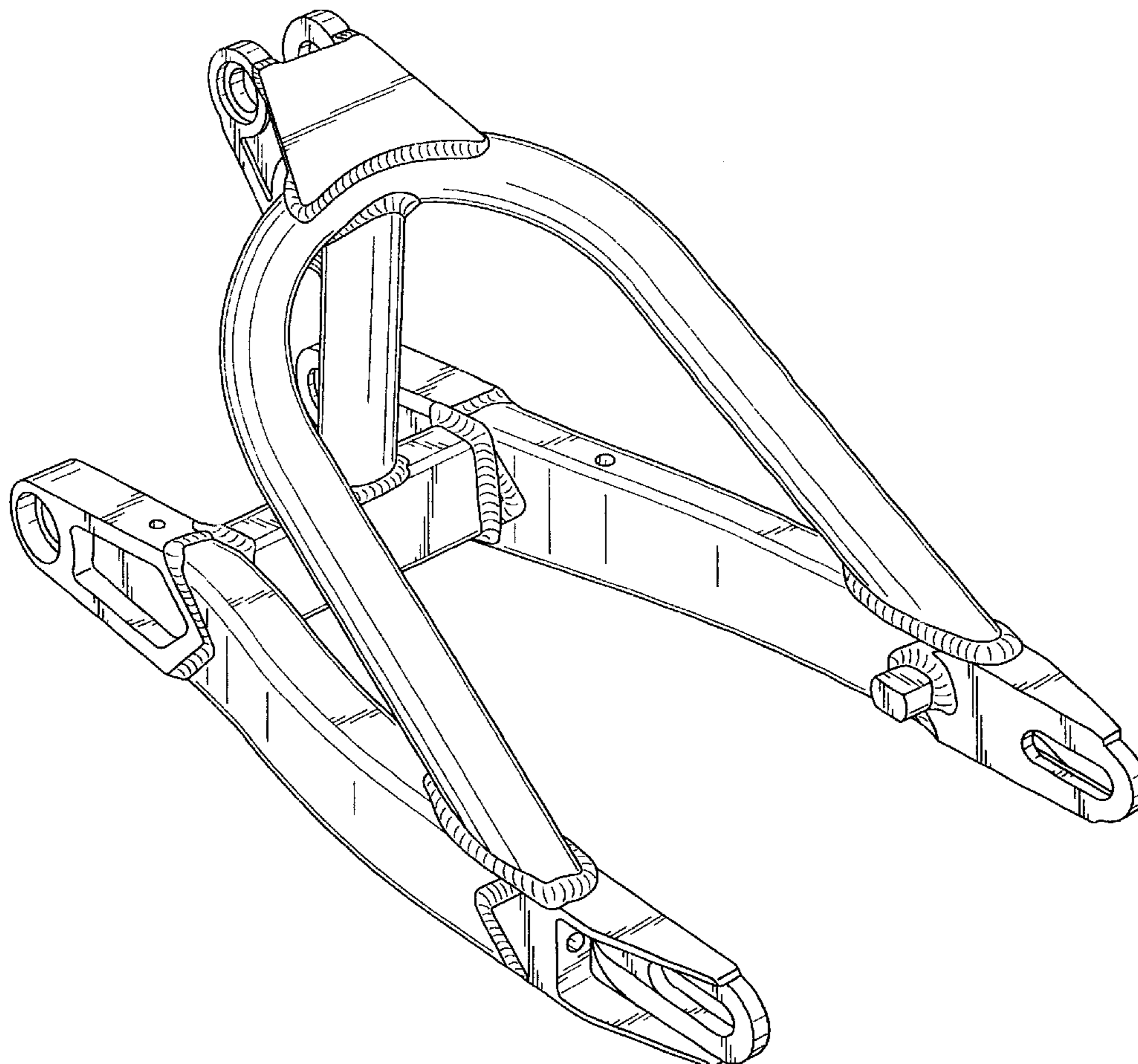
FIG. 4 is a rear view thereof.

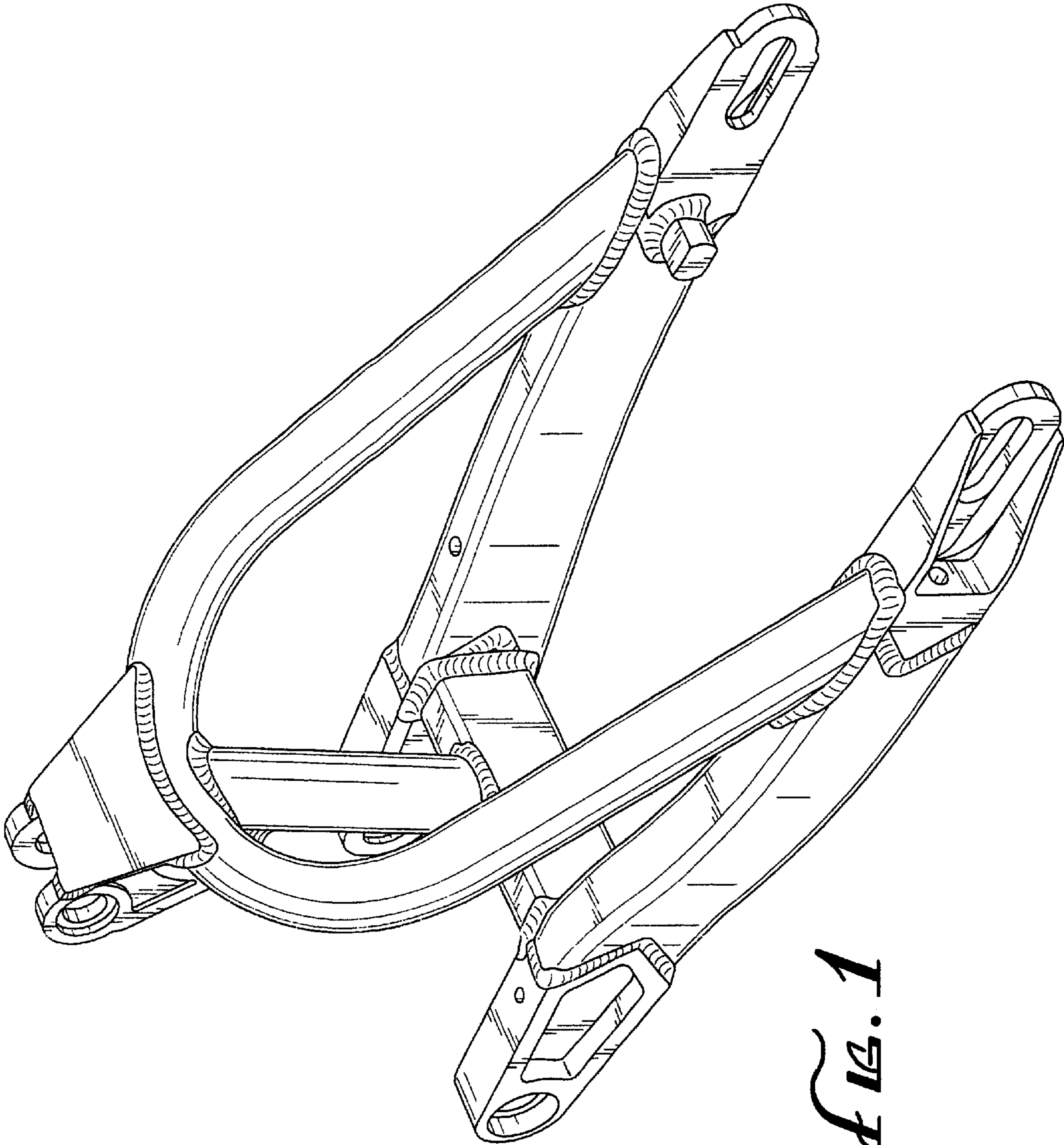
FIG. 5 is a front view thereof.

FIG. 6 is a bottom view thereof; and,

FIG. 7 is a perspective view showing the front and left side thereof.

1 Claim, 7 Drawing Sheets





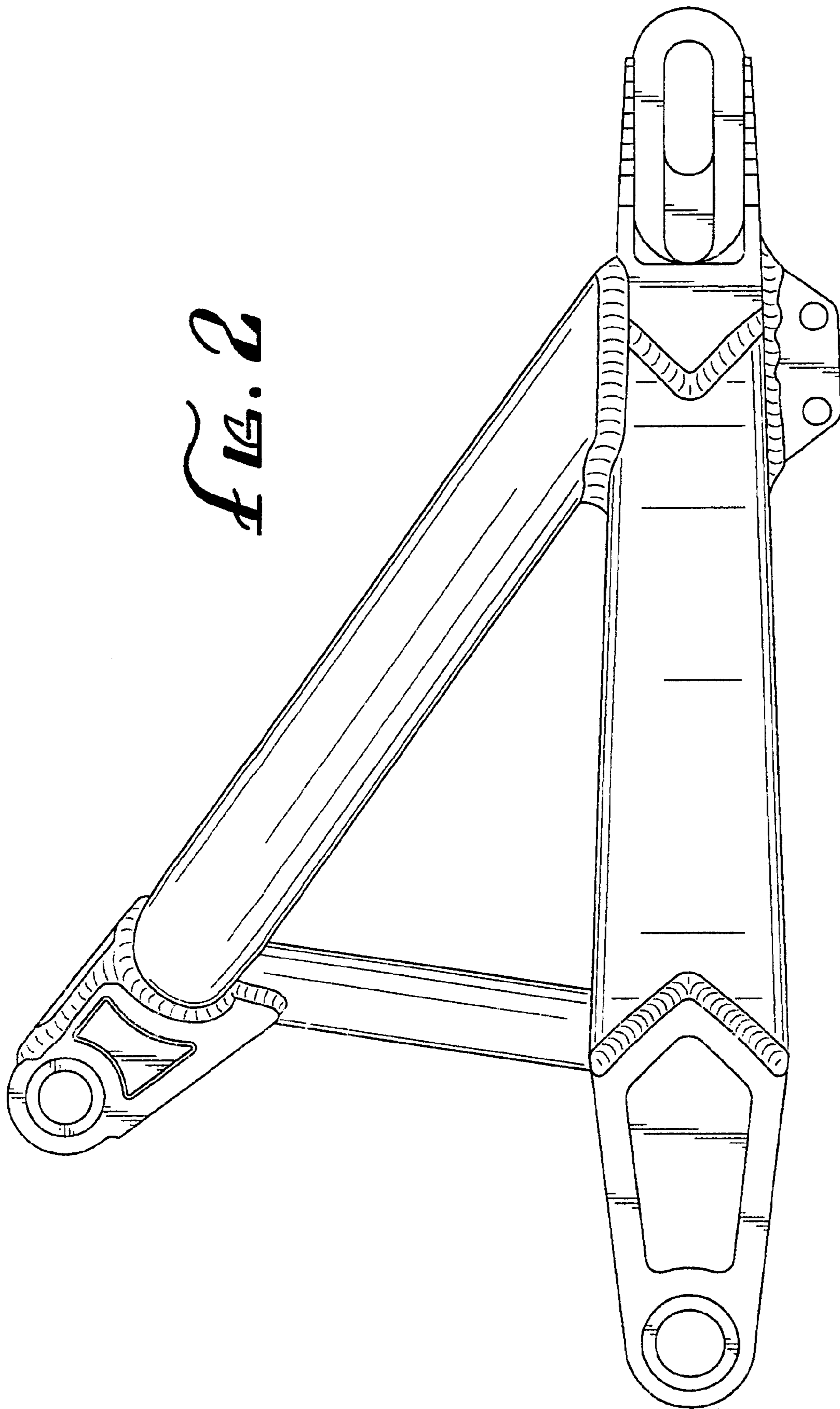
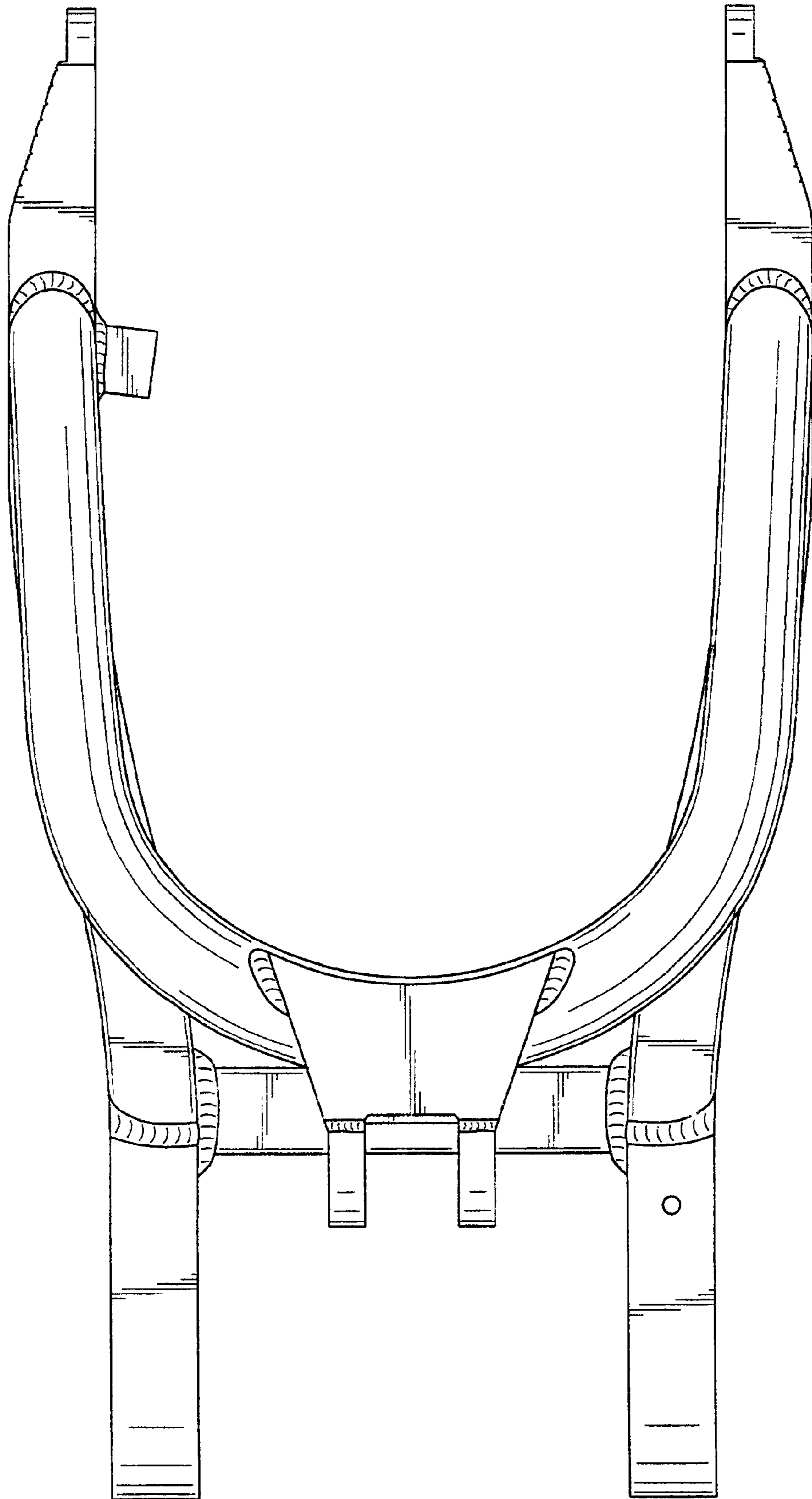


Fig. 2

Fig. 3



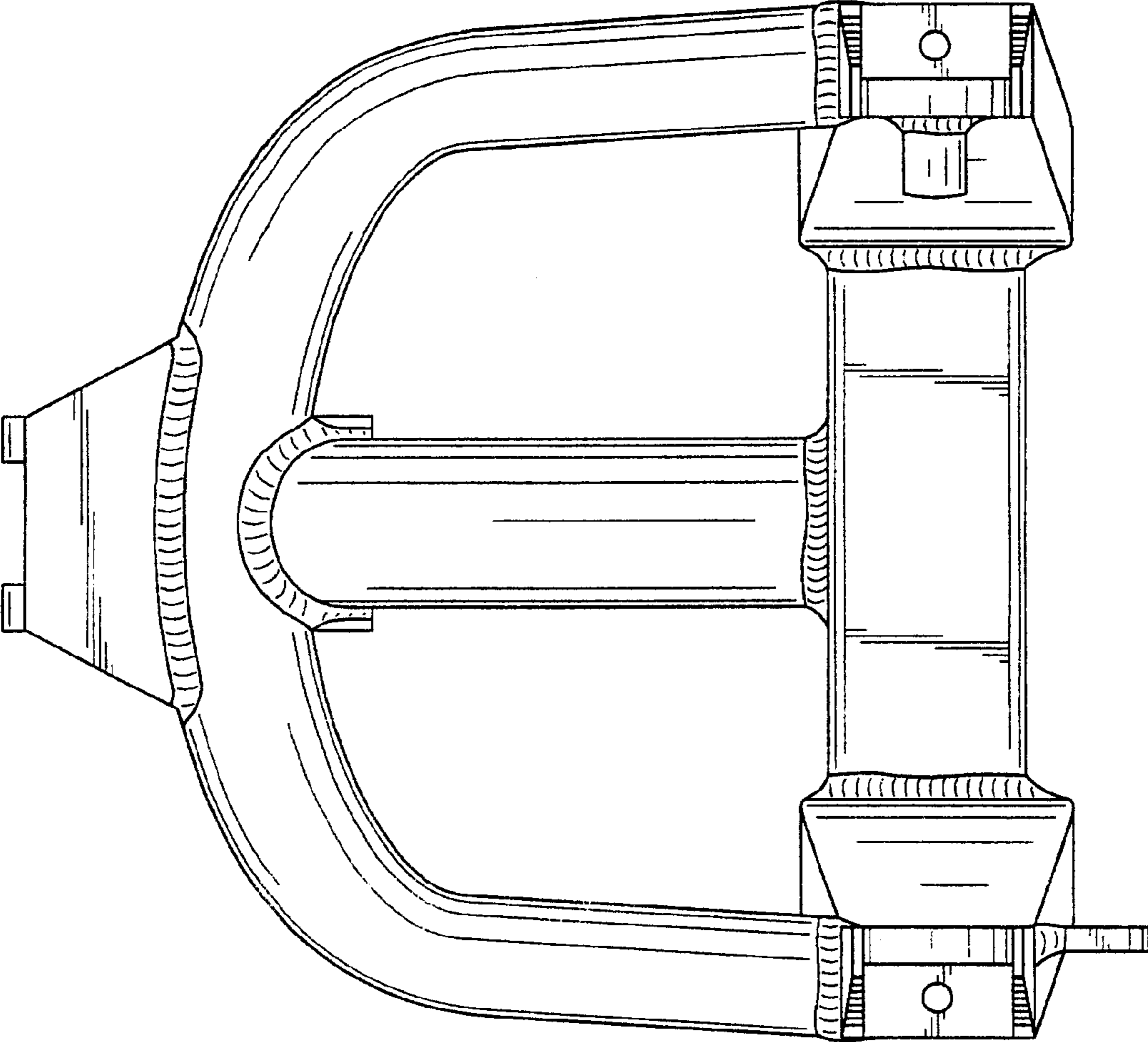


FIG. 4

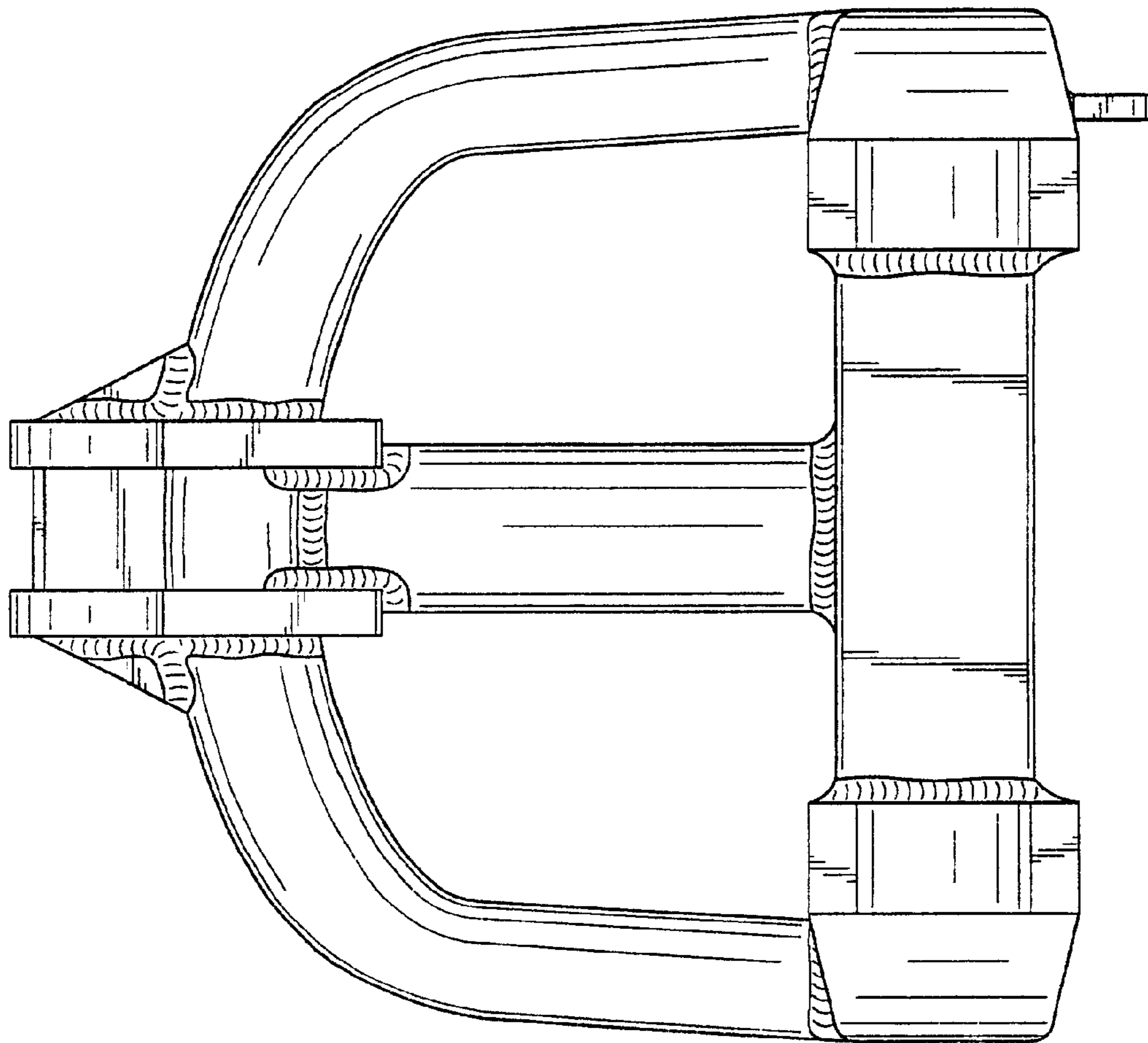


Fig. 5

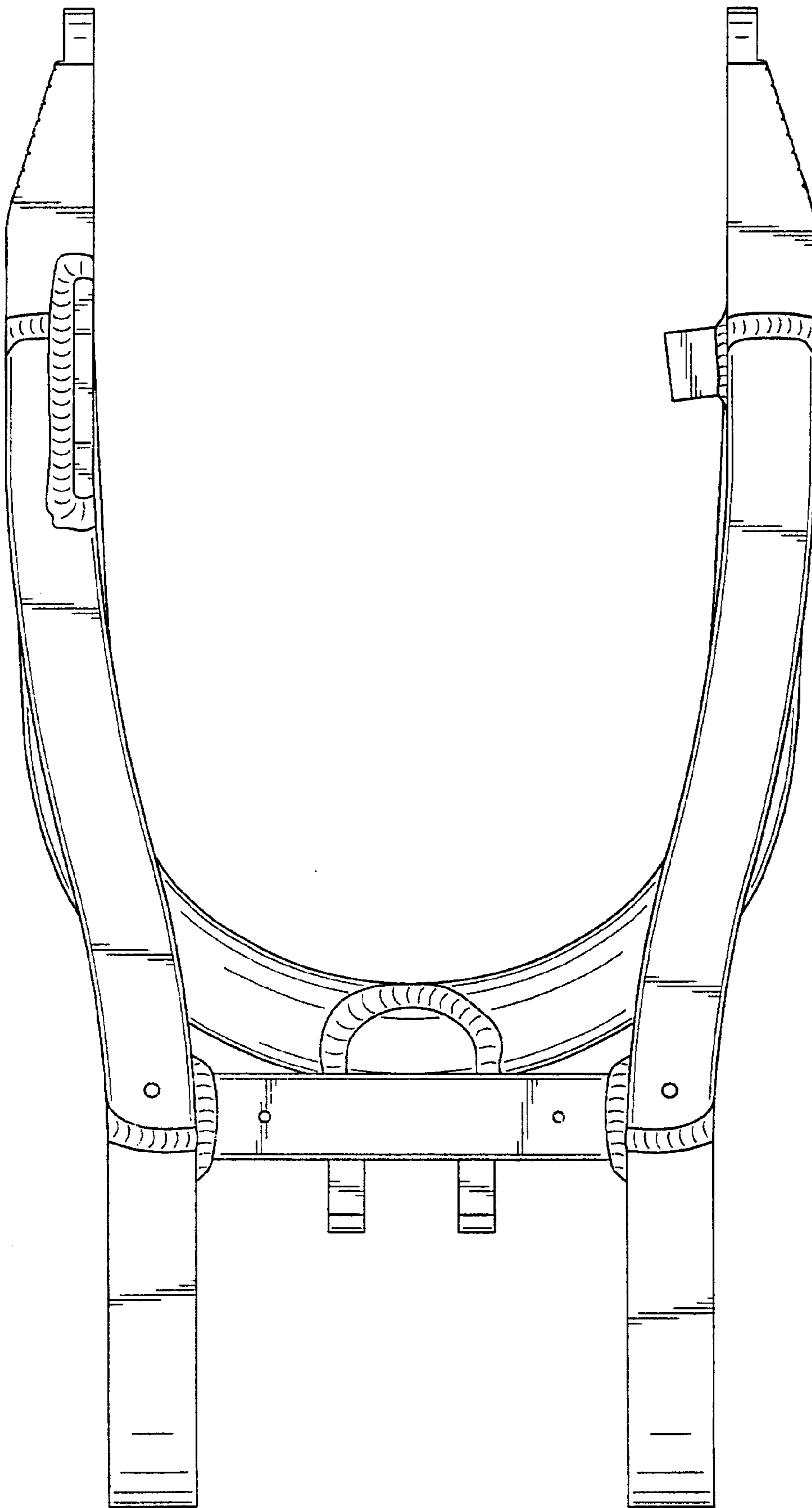


Fig. 6

