



US00D521417S

(12) **United States Design Patent**
Stahel et al.

(10) **Patent No.:** **US D521,417 S**

(45) **Date of Patent:** **** May 23, 2006**

(54) **MOTORCYCLE FAIRING VENT COVER**

(75) Inventors: **Alwin J. Stahel**, St. Paul, MN (US);
Brian K. Stahel, New Brighton, MN
(US)

(73) Assignee: **Kuryakyn Holdings, Inc.**, Somerset,
WI (US)

(**) Term: **14 Years**

(21) Appl. No.: **29/225,515**

(22) Filed: **Mar. 16, 2005**

(51) **LOC (8) Cl.** **12-11**

(52) **U.S. Cl.** **D12/114**

(58) **Field of Classification Search** D12/110,
D12/114, 126, 186, 190; 296/78.1, 180.1;
280/288.2, 288.4; 180/219

See application file for complete search history.

(56) **References Cited**

U.S. PATENT DOCUMENTS

D281,875 S 12/1985 Stahel D12/182
D449,021 S * 10/2001 Abdou D12/114

OTHER PUBLICATIONS

Kuryakyn, Inc. 1999 Catalog, cover and p. 9.
Kuryakyn, Inc. 2000 Catalog, cover and p. 11.

* cited by examiner

Primary Examiner—Alan P. Douglas

Assistant Examiner—Linda Brooks

(74) *Attorney, Agent, or Firm*—Dicke, Billig & Czaja

(57) **CLAIM**

The ornamental design for a motorcycle fairing vent cover,
as shown and described.

DESCRIPTION

FIG. 1 is a perspective left side view of a motorcycle fairing
vent cover embodying our new design, the dotted line
representations of a portion of a left side of a motorcycle
fairing form no part of the claimed design;

FIG. 2 is a top plan view;

FIG. 3 is a left outer side view thereof;

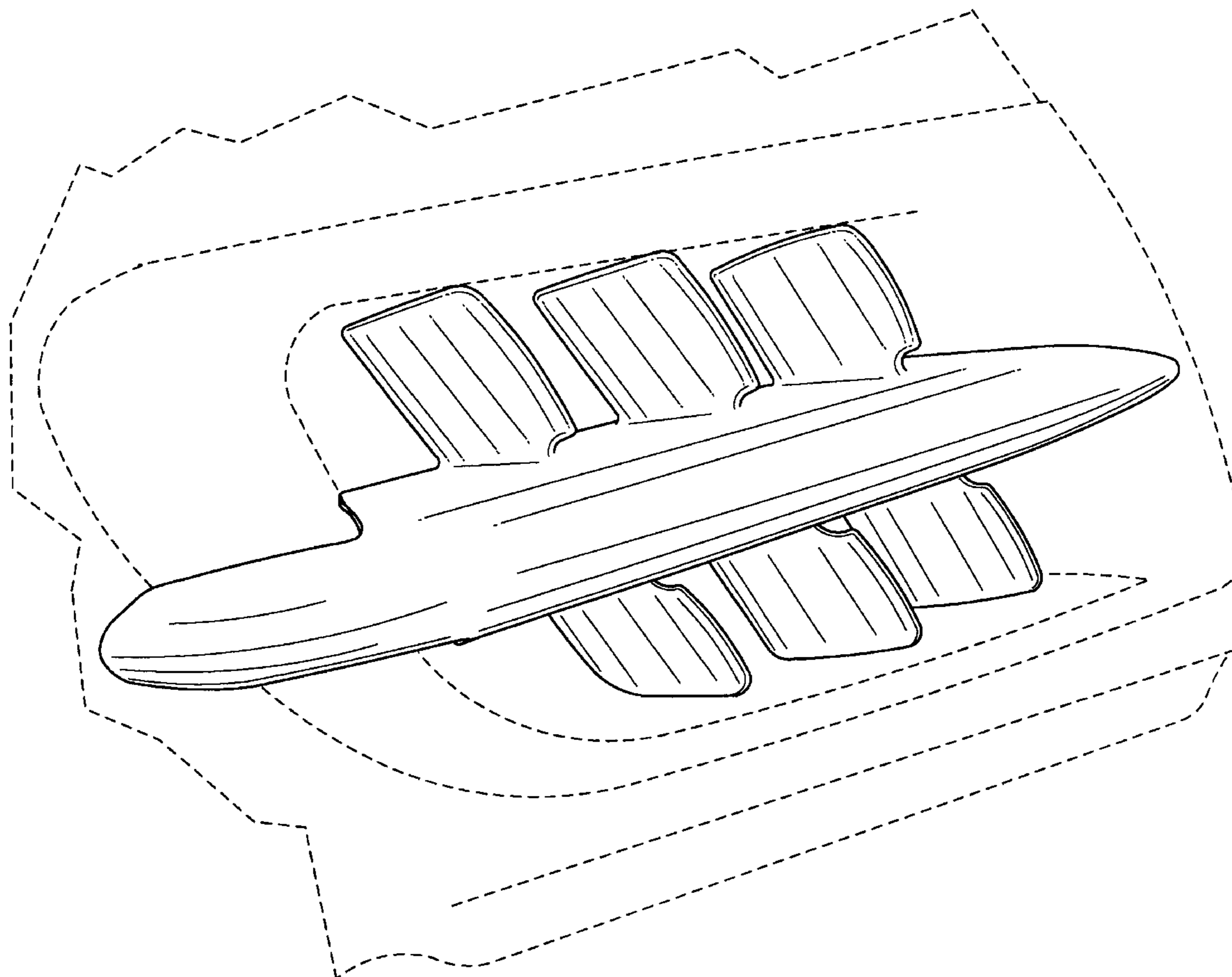
FIG. 4 is a front elevational view thereof;

FIG. 5 is a rear elevational view thereof;

FIG. 6 is a right inner side view thereof; and,

FIG. 7 is a bottom plan view thereof.

1 Claim, 7 Drawing Sheets



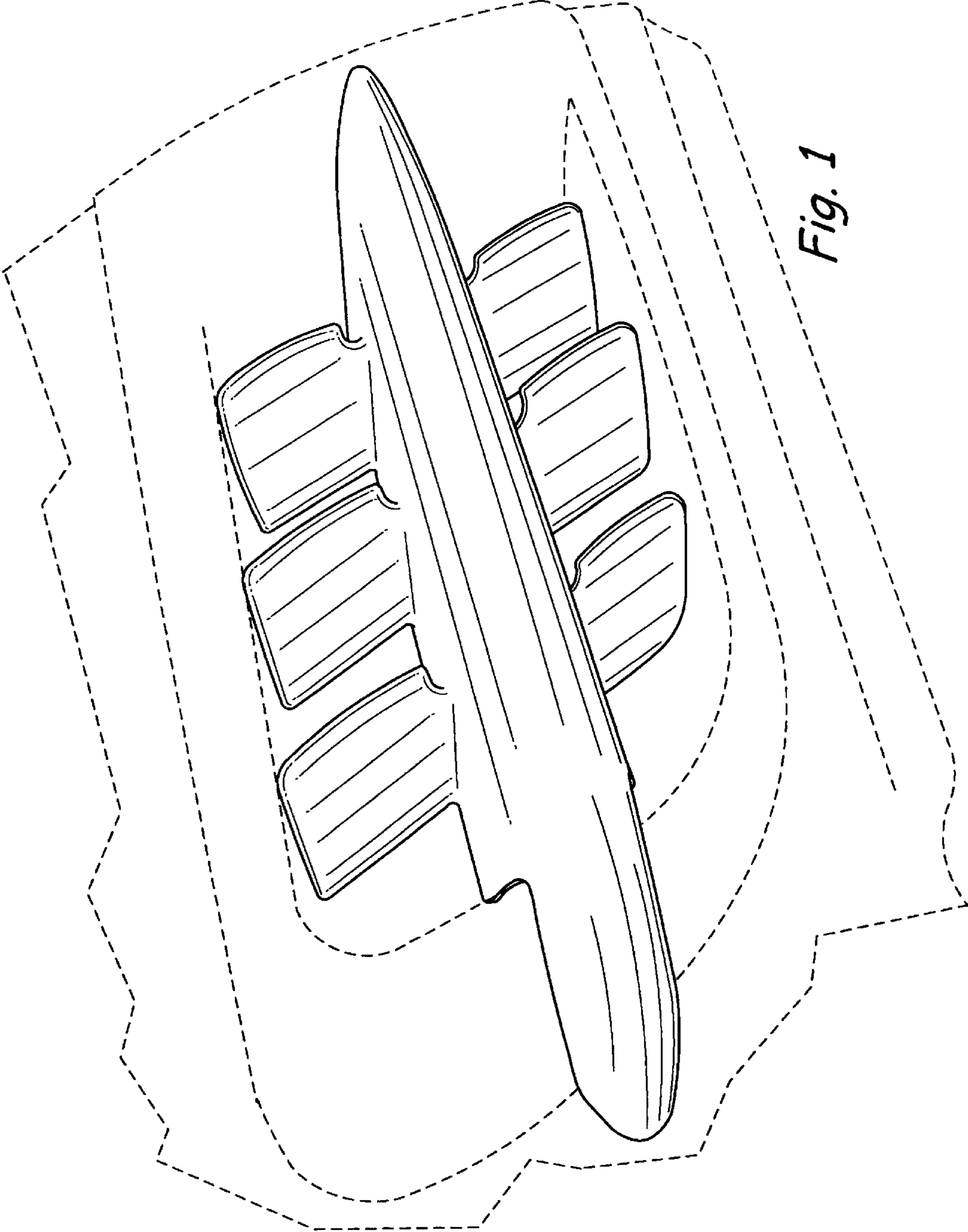


Fig. 1

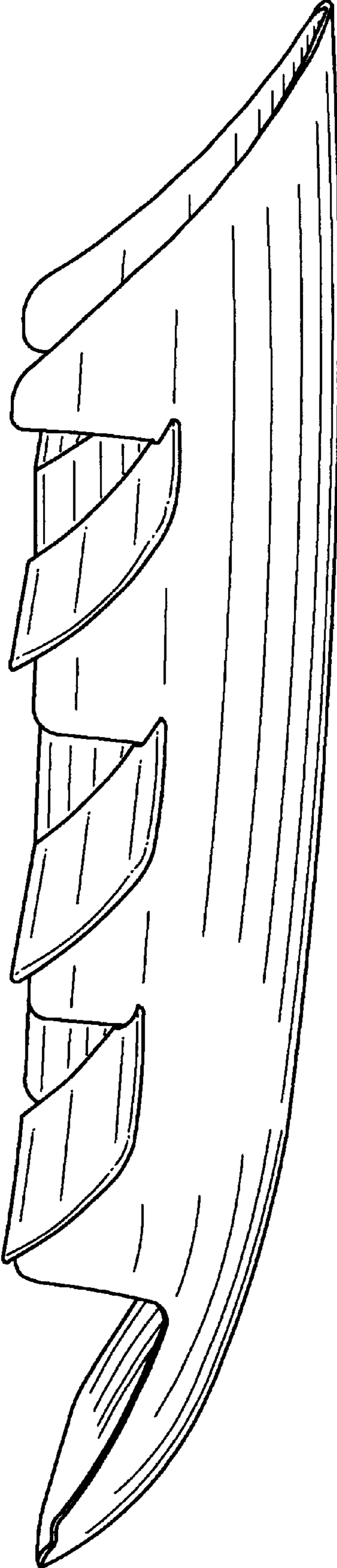


Fig. 2

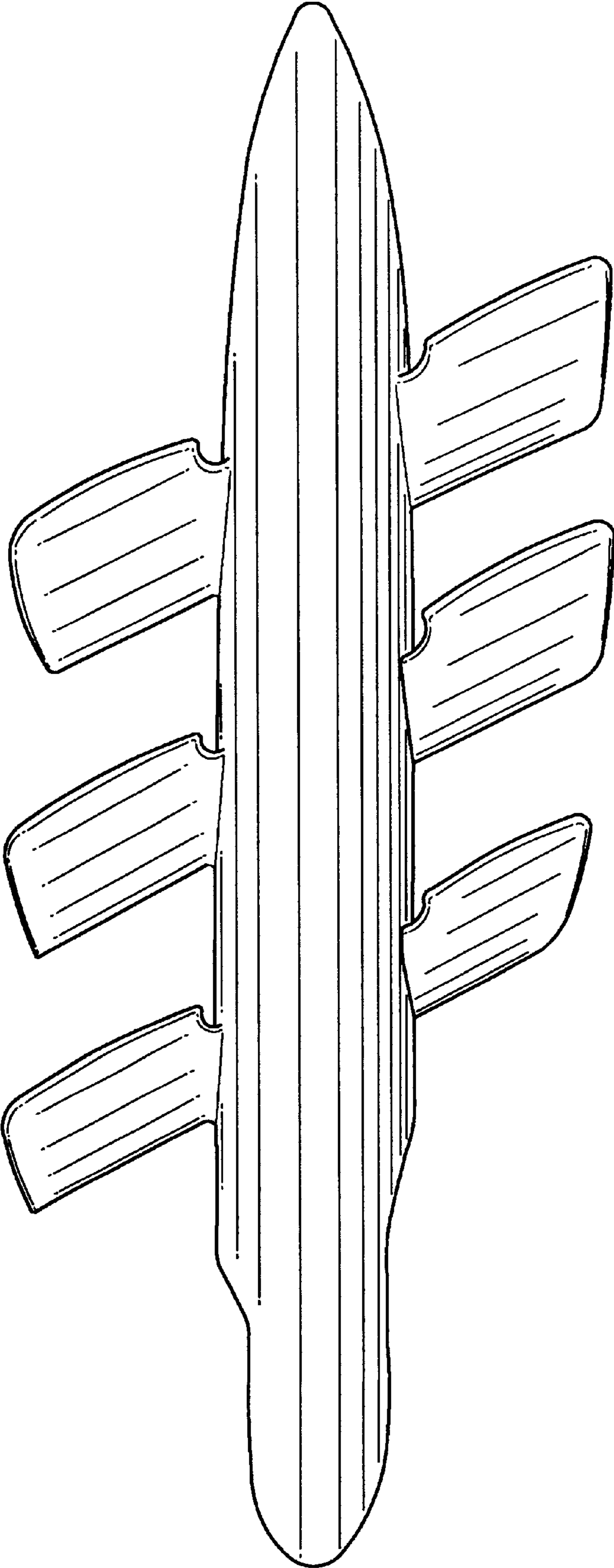


Fig. 3

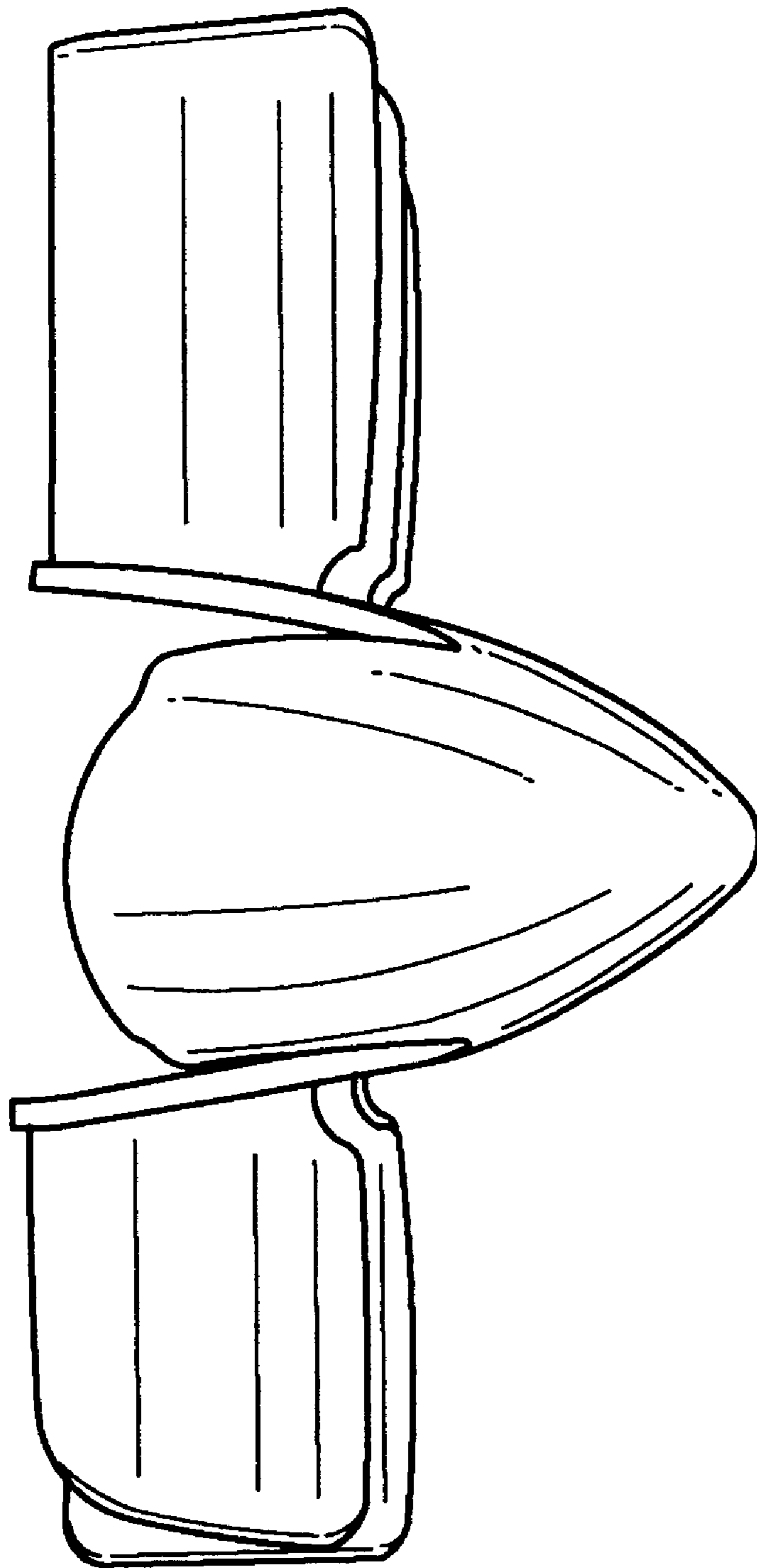


Fig. 4

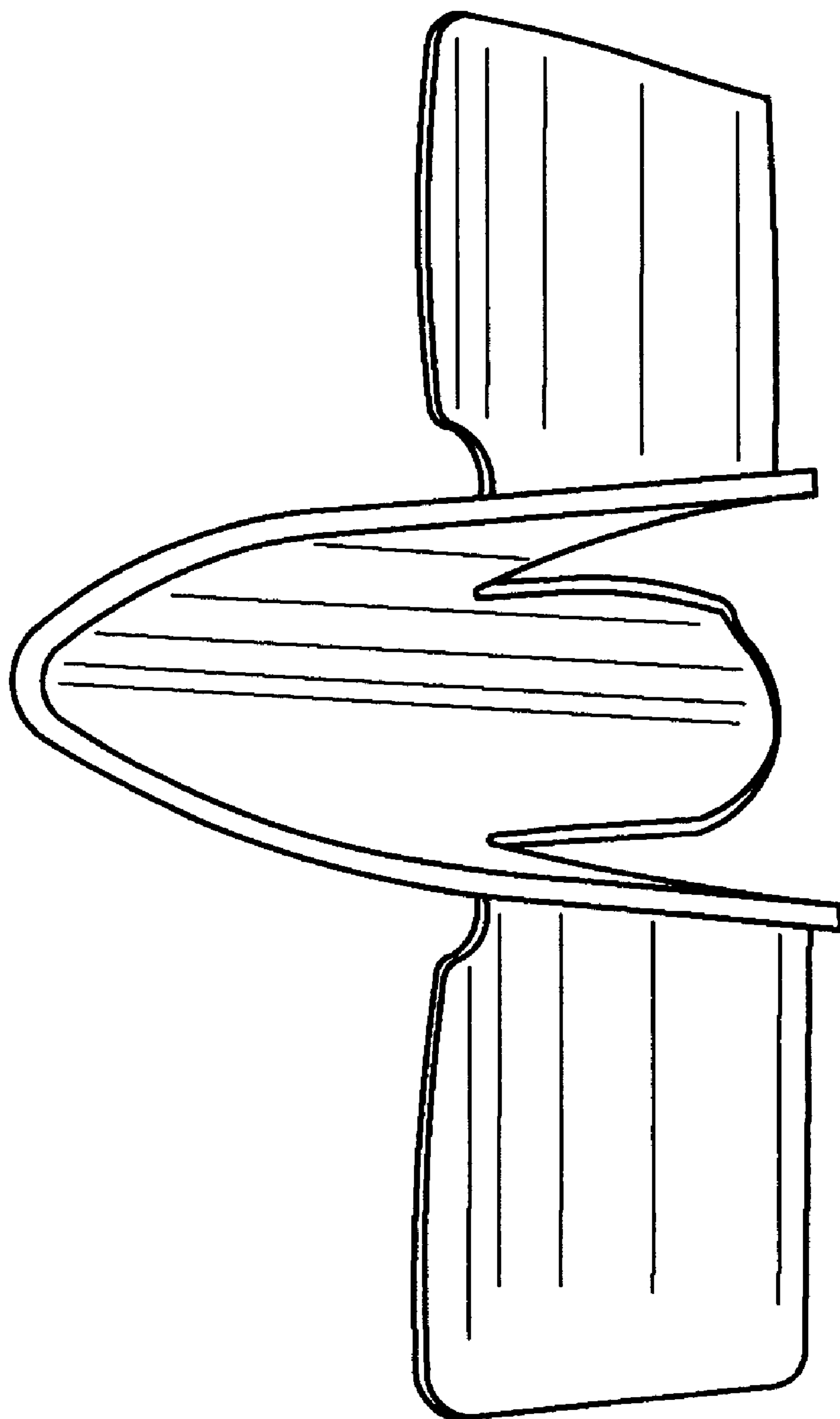


Fig. 5

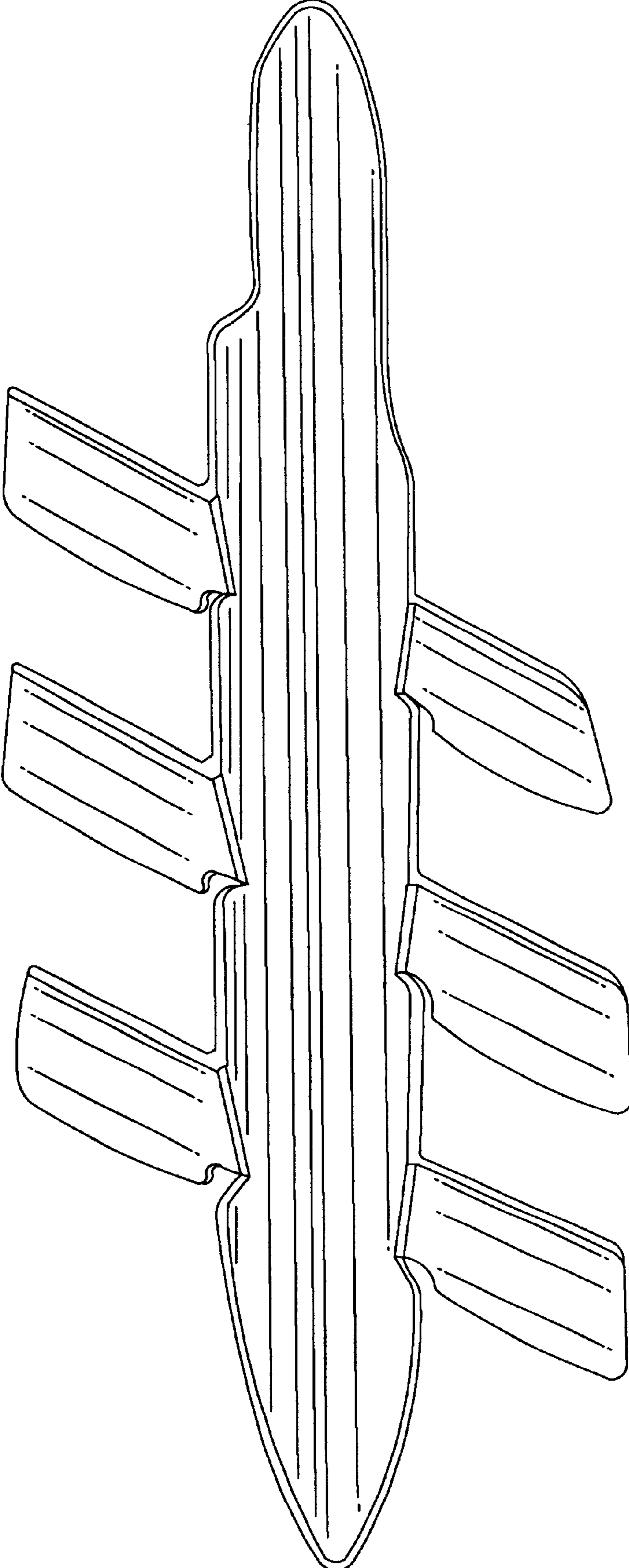


Fig. 6

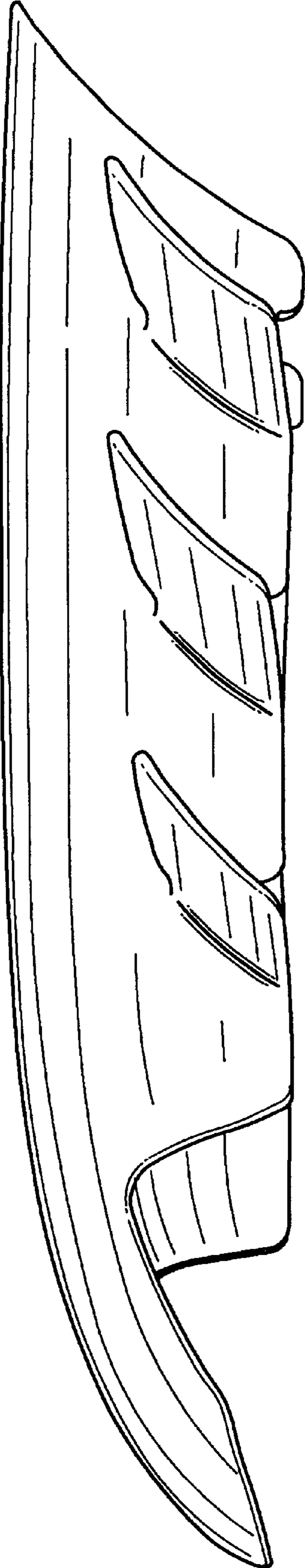


Fig. 7