



US00D521416S

(12) **United States Design Patent**
Lindby

(10) **Patent No.:** **US D521,416 S**
(45) **Date of Patent:** **** May 23, 2006**

(54) **MOTORCYCLE ENGINE GUARD WITH
RETRACTABLE FOOTRESTS**

(76) Inventor: **Per Lindby**, 320 E. Crowther Ave.,
Placentia, CA (US) 92870

(**) Term: **14 Years**

(21) Appl. No.: **29/193,547**

(22) Filed: **Nov. 10, 2003**

(51) **LOC (8) Cl.** **12-11**

(52) **U.S. Cl.** **D12/114**

(58) **Field of Classification Search** D12/110,
D12/114, 126; 280/288.4, 304.3, 304.4, 291,
280/770; 180/219

See application file for complete search history.

(56) **References Cited**

U.S. PATENT DOCUMENTS

D235,323 S	*	6/1975	Higginbotham	D12/114
D235,324 S	*	6/1975	Higginbotham	D12/114
D242,031 S	*	10/1976	Hartlaub	D12/114
D270,527 S	*	9/1983	O'Rourke	D12/114
D361,311 S	*	8/1995	Lindby	D12/126
D453,161 S	*	1/2002	Pentz		

* cited by examiner

Primary Examiner—Alan P. Douglas

Assistant Examiner—Linda Brooks

(74) *Attorney, Agent, or Firm*—Michael A. Shippey

(57) **CLAIM**

The ornamental design for a motorcycle engine guard with retractable footrests, substantially as shown and described.

DESCRIPTION

FIG. 1 is a side perspective view of my new design for a motorcycle engine guard with retractable footrests, showing a footrest in open position, noting that the motorcycle itself is shown in broken lines and forms no part of the claimed design;

FIG. 2 is an enlarged frontal perspective view of the motorcycle engine guard shown in FIG. 1, showing both footrests in open position;

FIG. 3 is an enlarged top plan view of the motorcycle engine guard shown in FIG. 1, showing both footrests in open position;

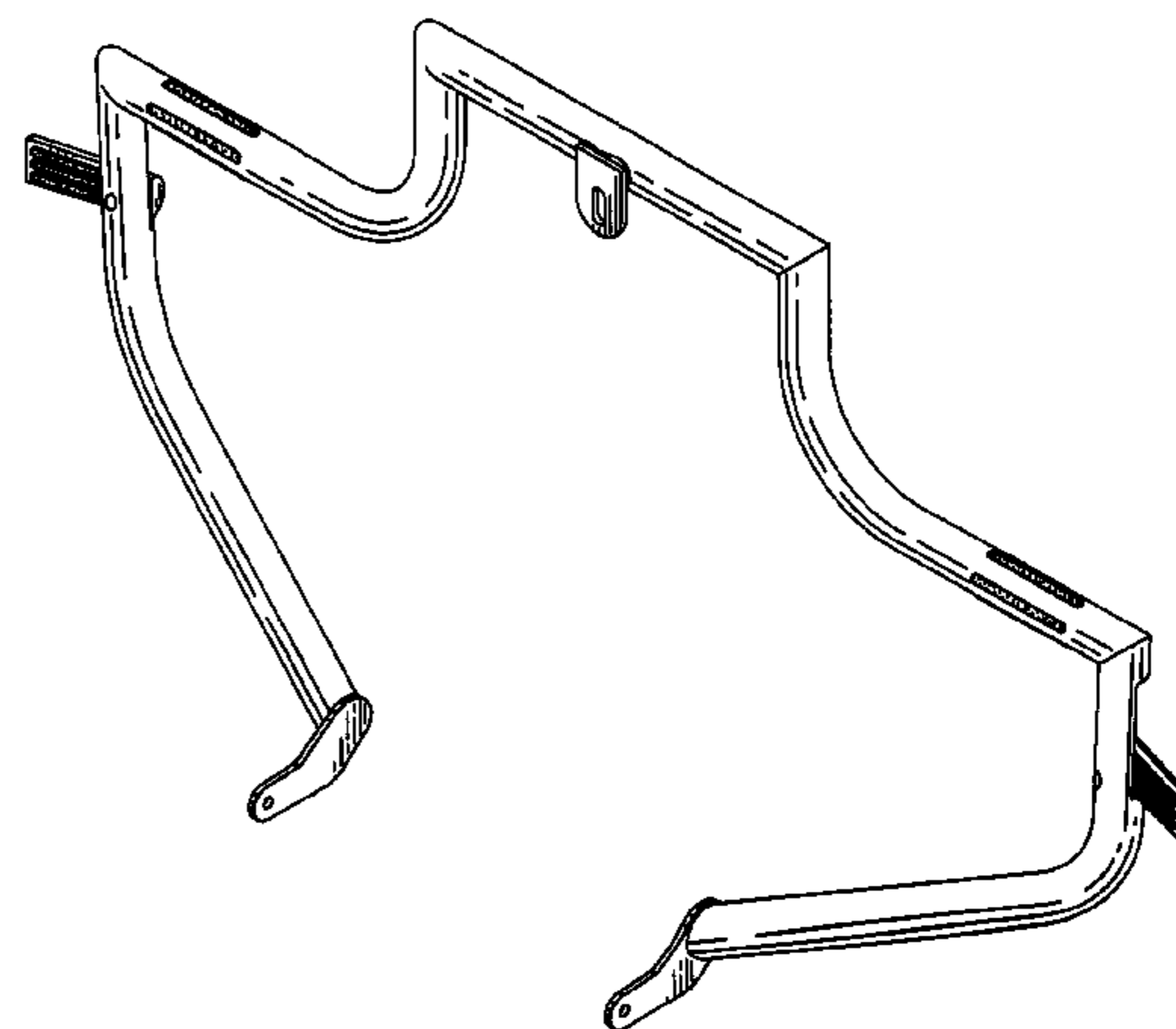
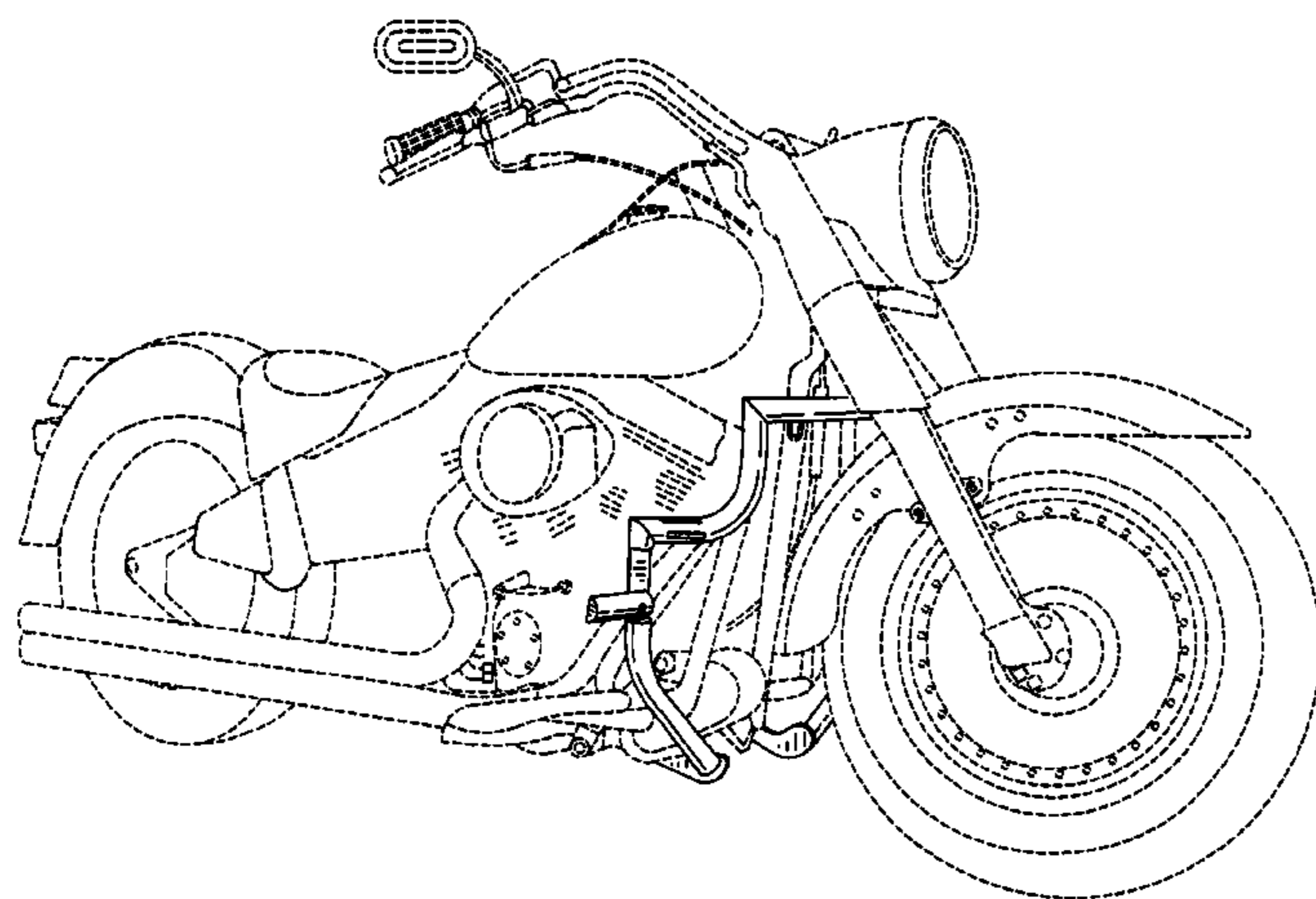
FIG. 4 is an enlarged front view of the motorcycle engine guard shown in FIG. 1, showing both footrests in open position;

FIG. 5 is an enlarged bottom plan view of the motorcycle engine guard shown in FIG. 1, showing both footrests in open position;

FIG. 6 is an enlarged left side view of the motorcycle engine guard shown in FIG. 1, showing a footrest in open position, the right side view being a mirror image thereof; and,

FIG. 7 is an enlarged rear view of the motorcycle engine guard shown in FIG. 1, showing both footrests in open position.

1 Claim, 3 Drawing Sheets



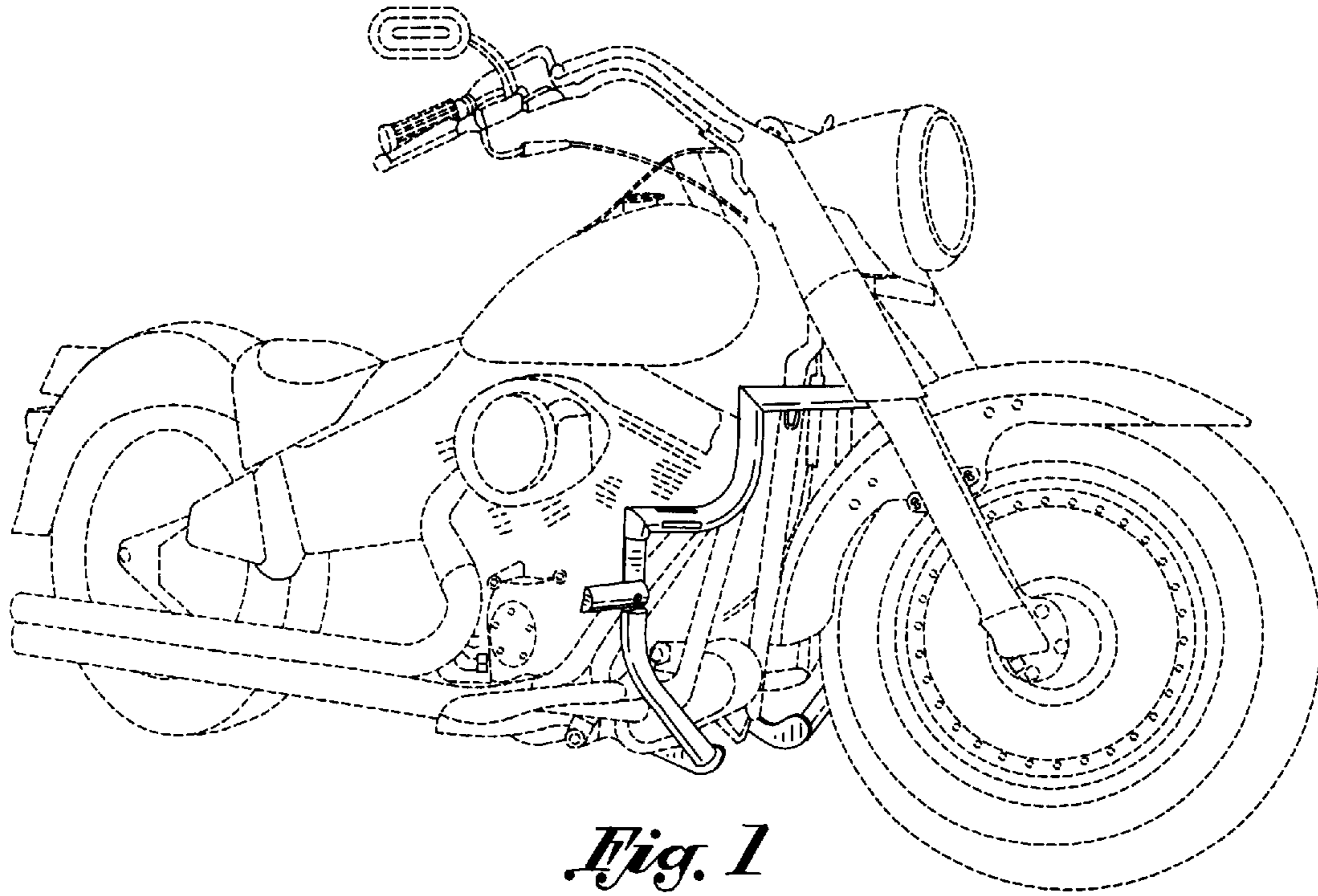


Fig. 1

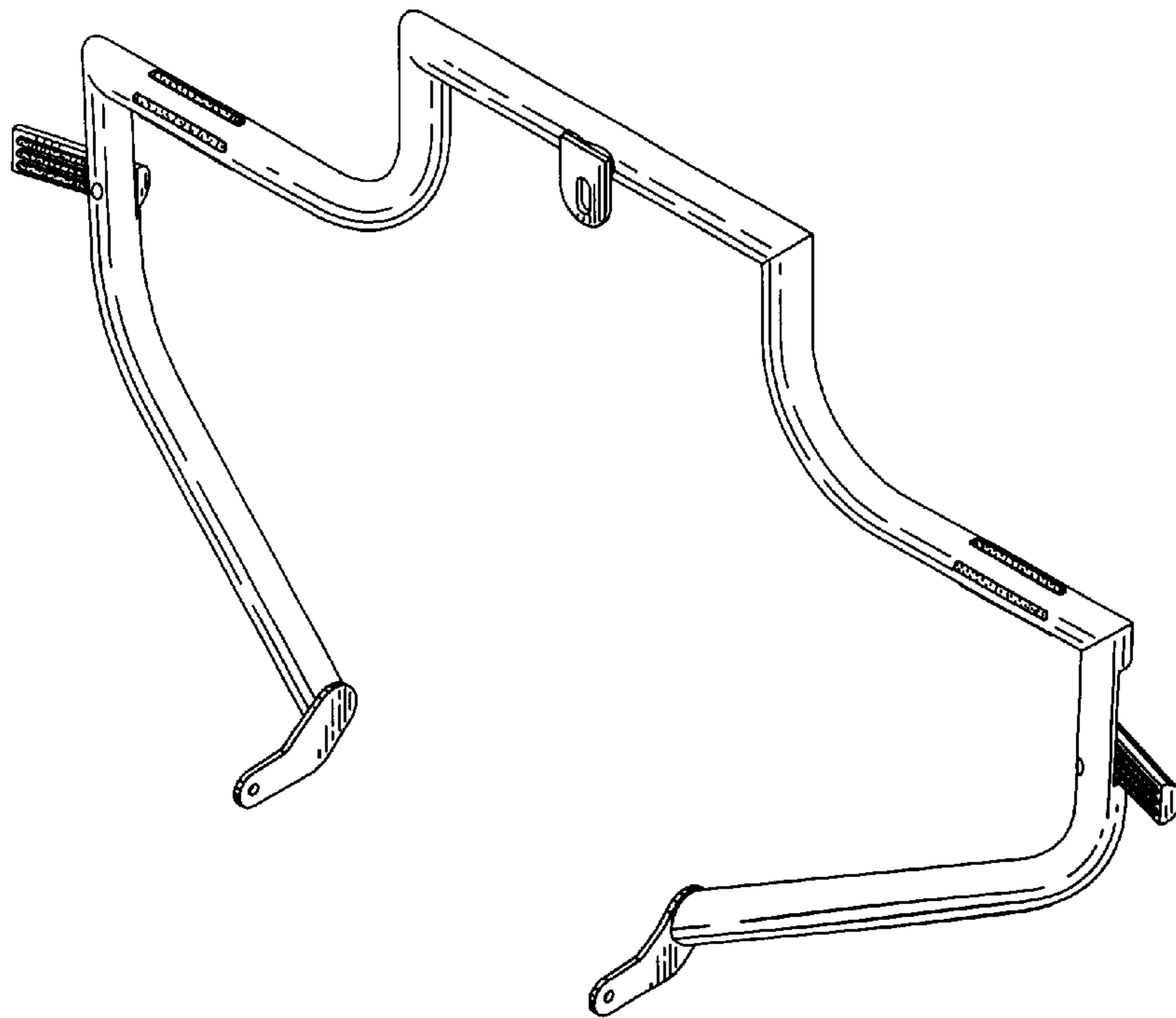


Fig. 2

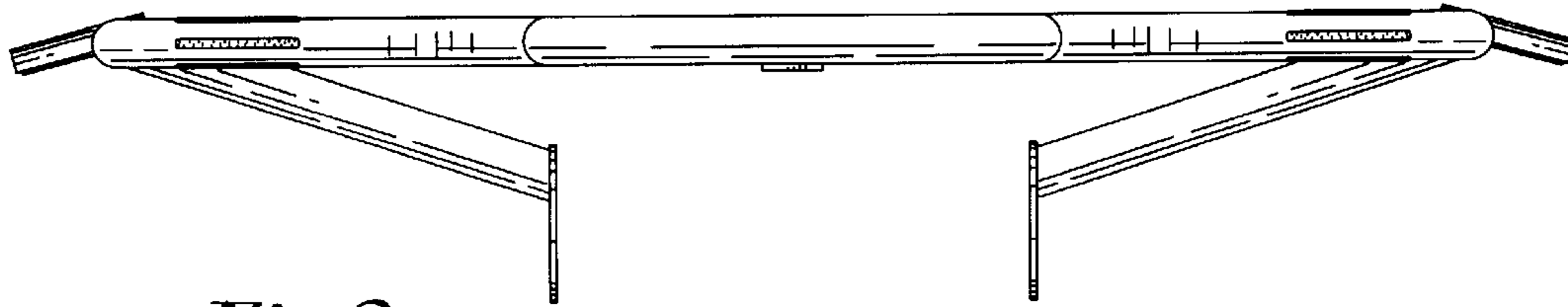


Fig. 3

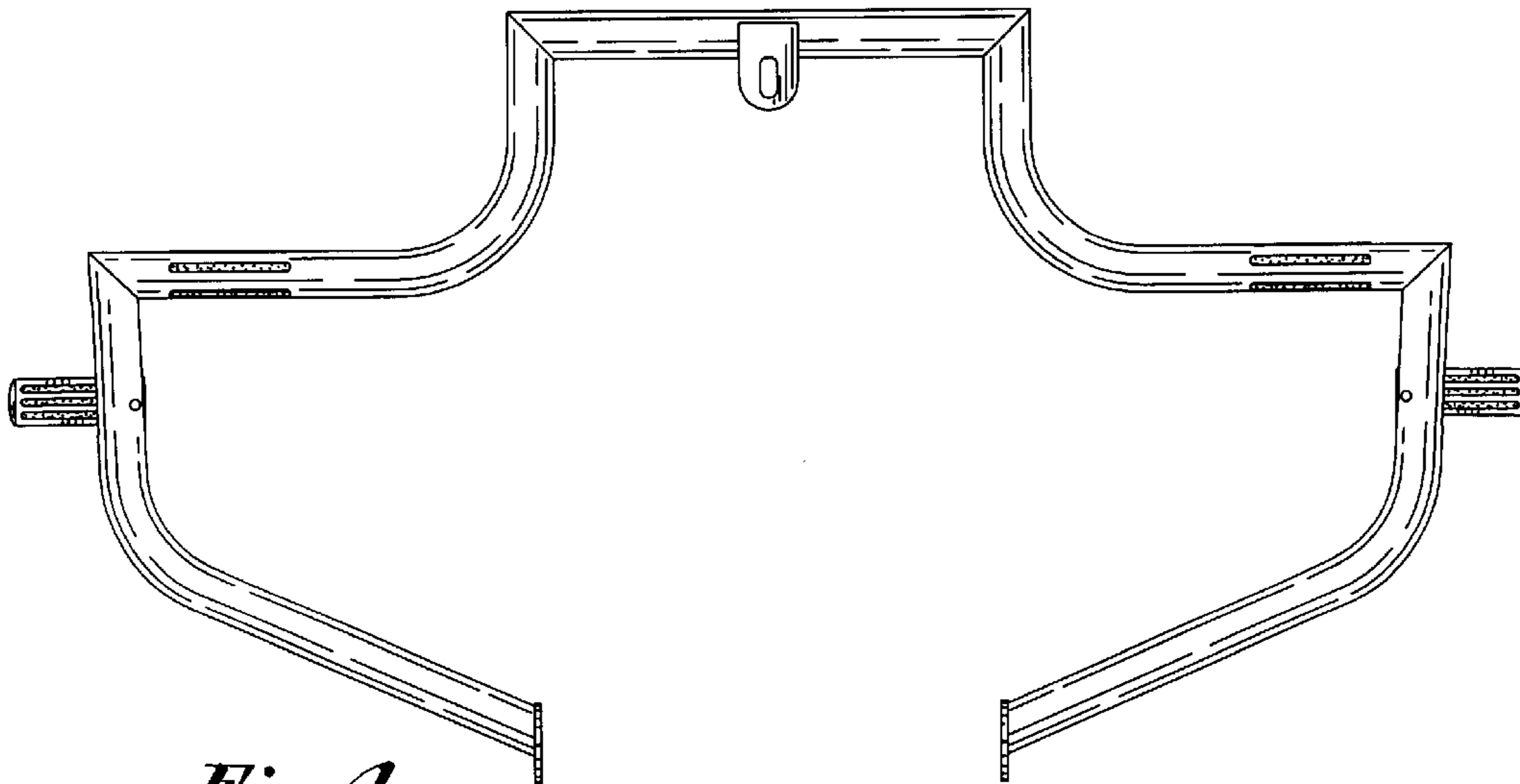


Fig. 4

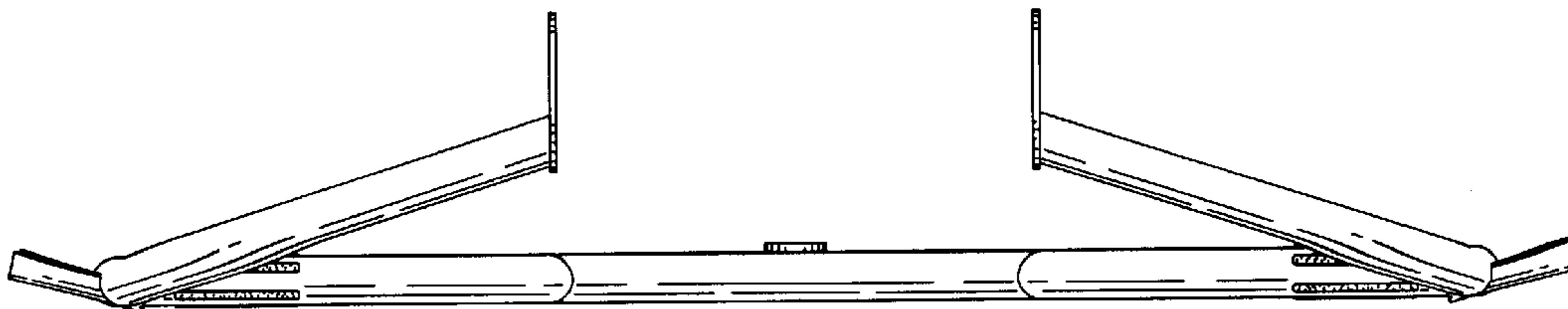


Fig. 5

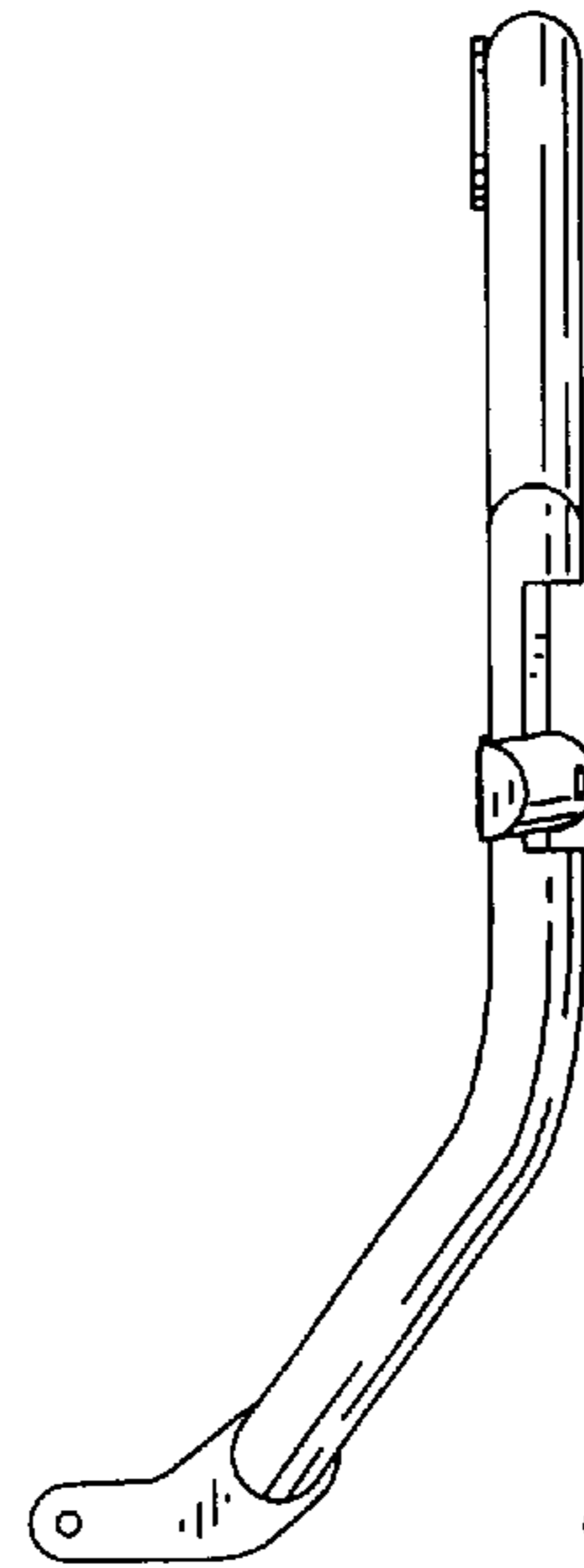


Fig. 6

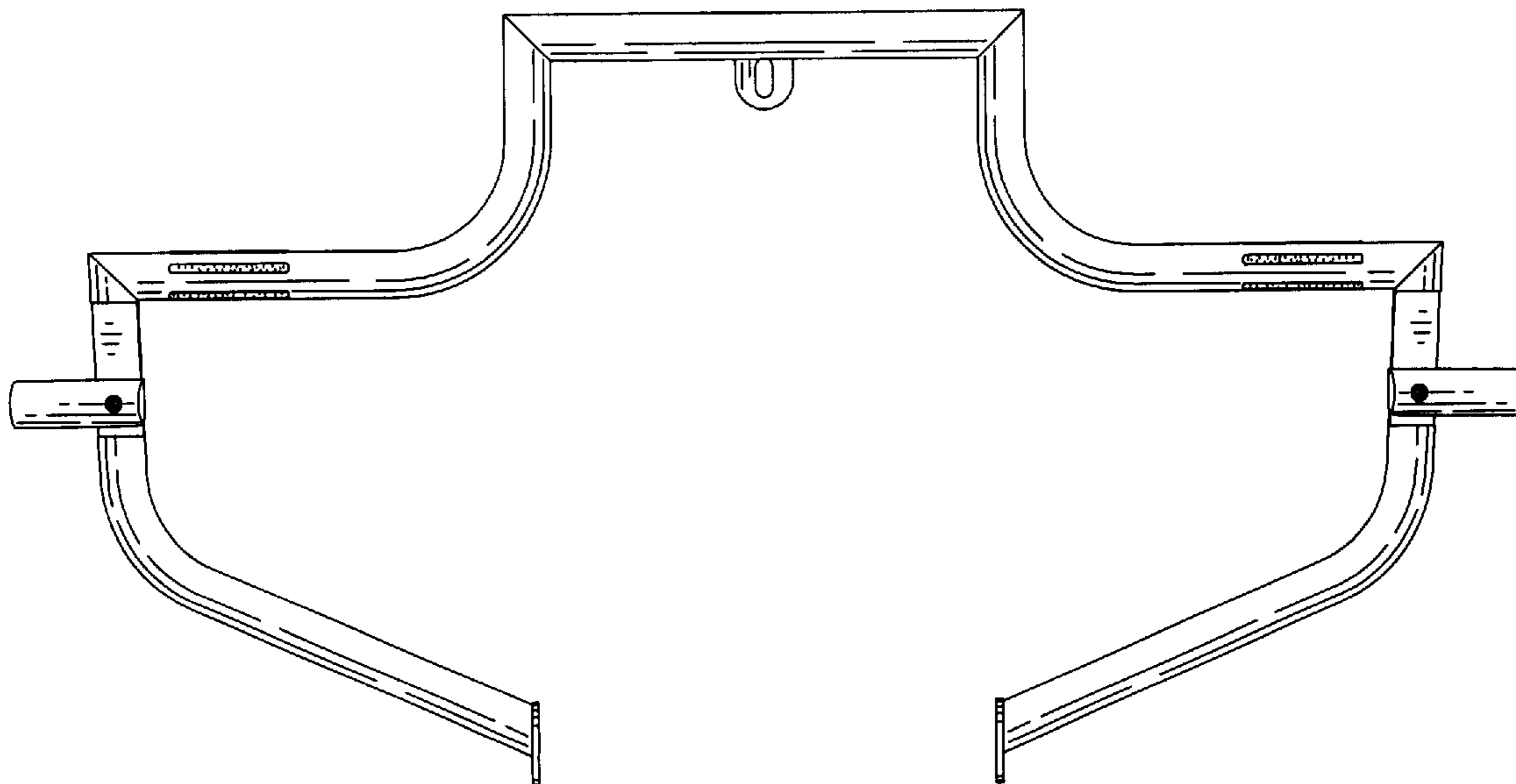


Fig. 7