



US00D521414S

(12) **United States Design Patent**
Waters

(10) **Patent No.:** **US D521,414 S**

(45) **Date of Patent:** **** May 23, 2006**

(54) **TRAILER TO CAMPER CONVERTER**

6,595,155 B1 * 7/2003 Akers 114/361

(76) Inventor: **Richard Waters**, 15 Pine St., Lisbon Falls, ME (US) 04252

* cited by examiner

Primary Examiner—Melody N. Brown

(**) Term: **14 Years**

(57) **CLAIM**

(21) Appl. No.: **29/202,201**

The ornamental design for a trailer to camper converter, as shown and described.

(22) Filed: **Mar. 29, 2004**

DESCRIPTION

(51) **LOC (8) Cl.** **12-10**

(52) **U.S. Cl.** **D12/106**

(58) **Field of Classification Search** D12/101–103,
D12/106, 317; 280/475, 416, 423; 114/361–364,
114/343

FIG. 1 is top perspective view of the trailer to camper converter according to the invention;

FIG. 2 is a front elevation view of the trailer to camper converter of FIG. 1;

FIG. 3 is a rear elevation view of the trailer to camper converter of FIG. 1;

FIG. 4 is a top plan view of the trailer to camper converter of FIG. 1; and,

FIG. 5 is a bottom plan view of the trailer to camper converter of FIG. 1.

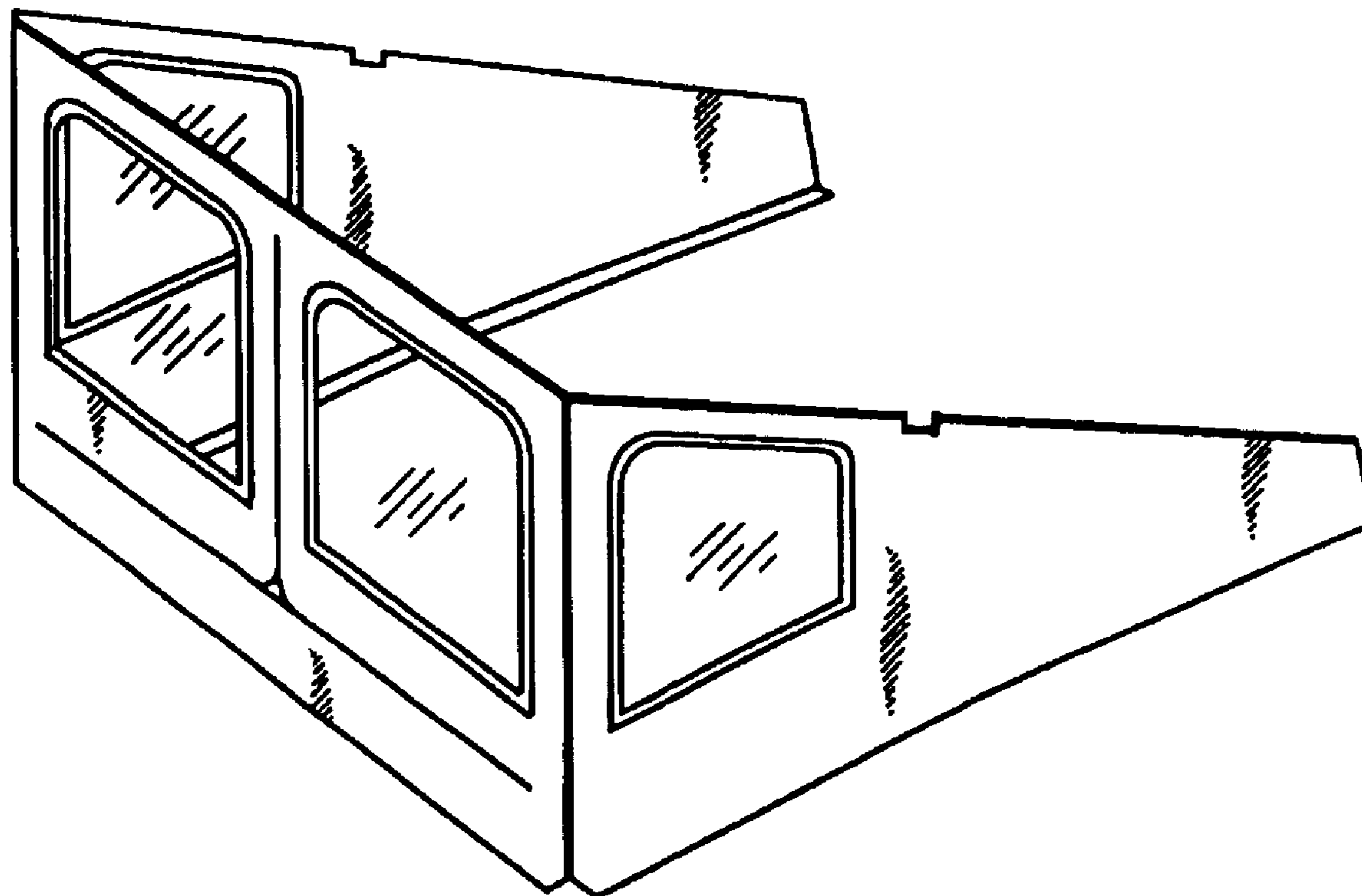
See application file for complete search history.

(56) **References Cited**

U.S. PATENT DOCUMENTS

D284,564 S * 7/1986 Kopecky D12/182
D356,058 S * 3/1995 Newton D12/106
D458,876 S * 6/2002 Kendall D12/103

1 Claim, 2 Drawing Sheets



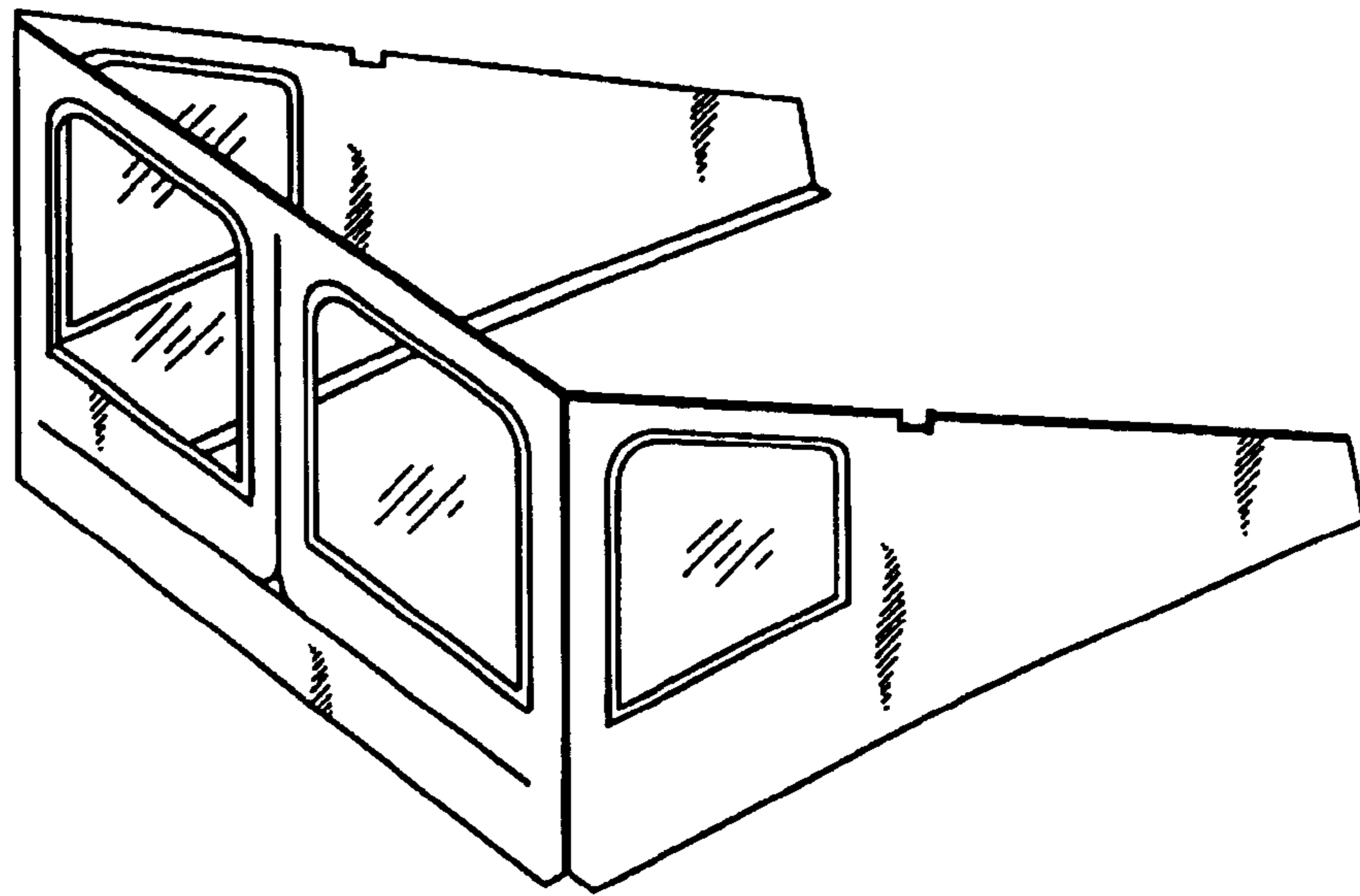


FIG. 1

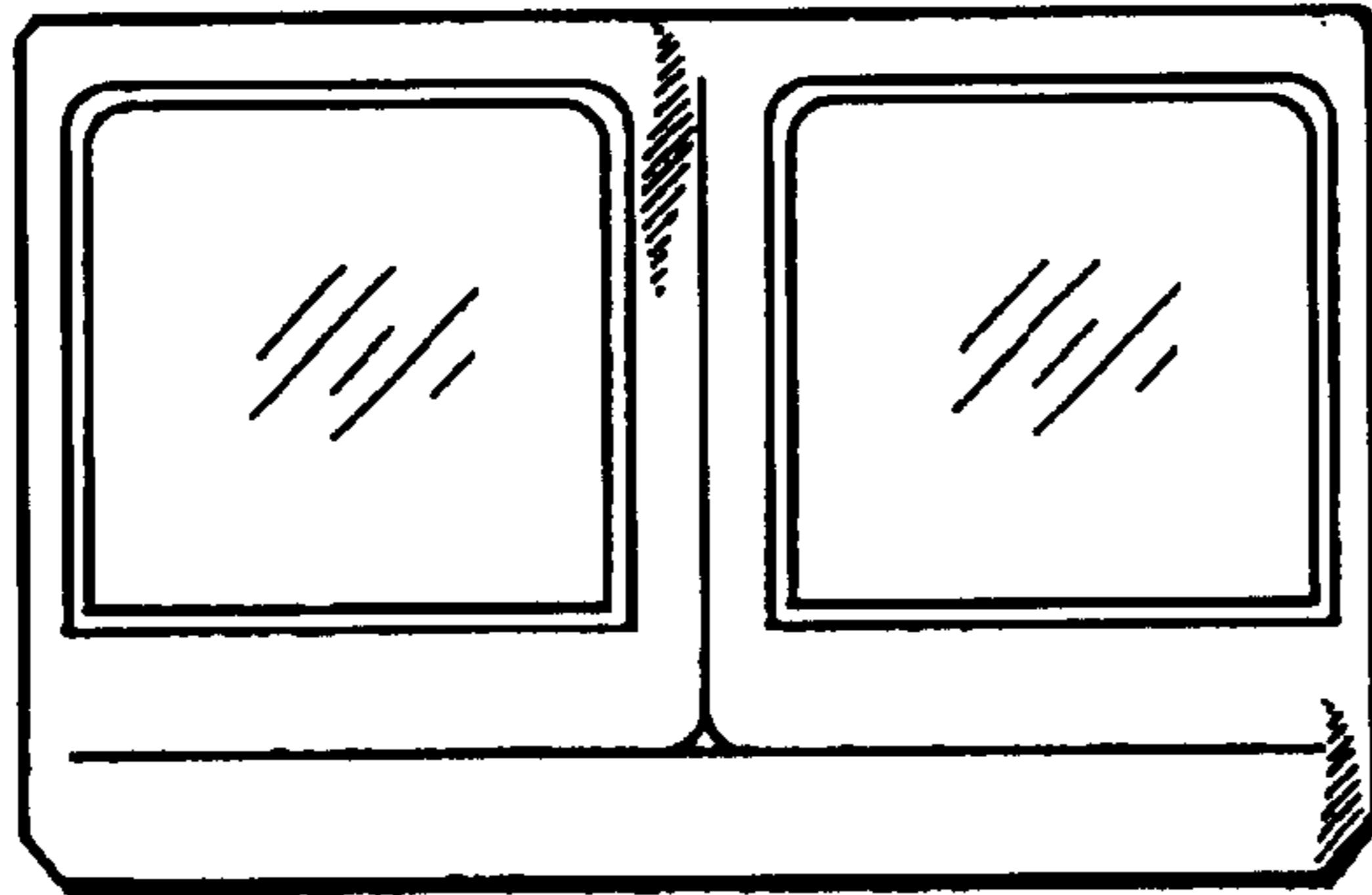


FIG. 2

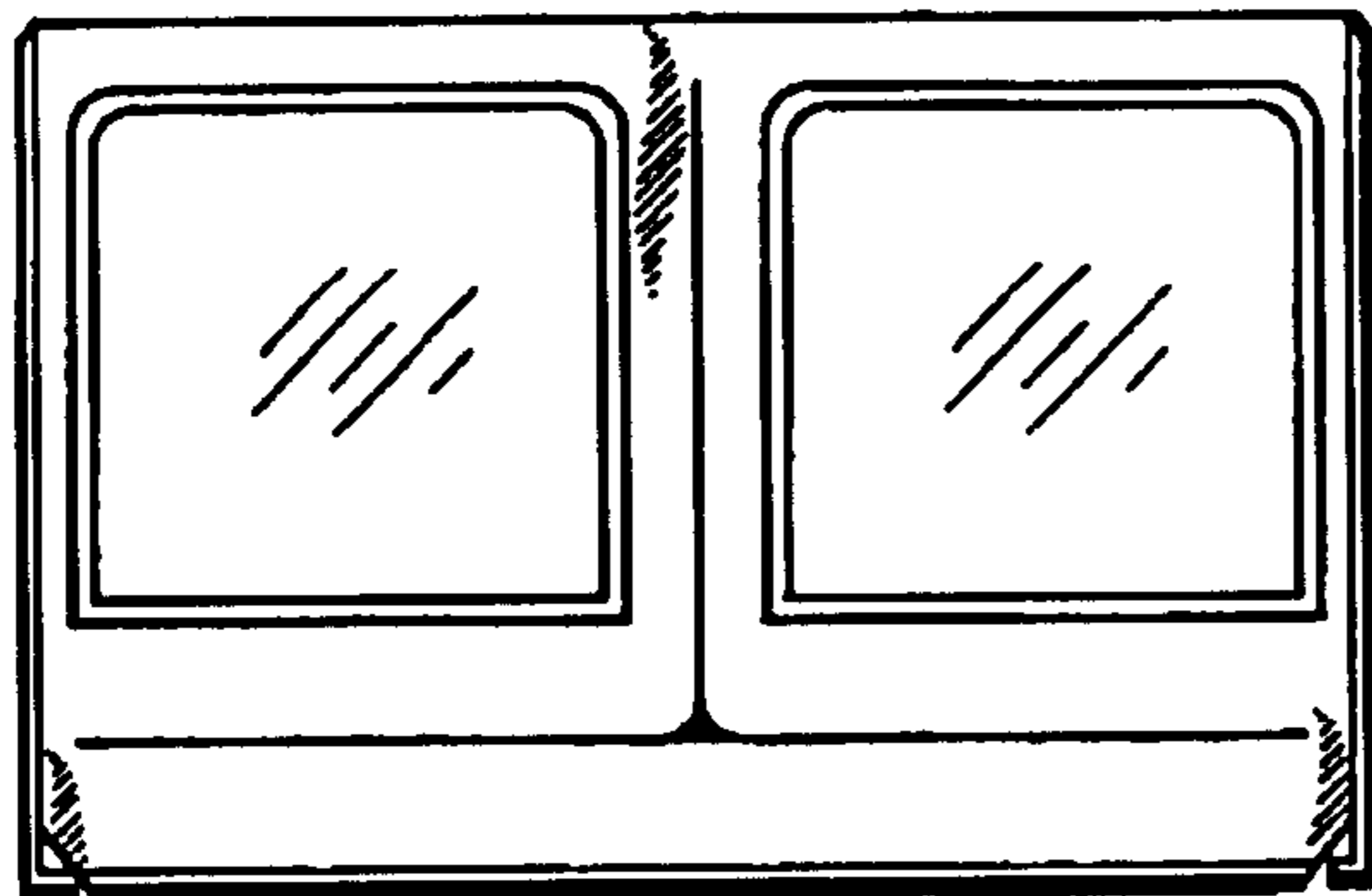


FIG. 3

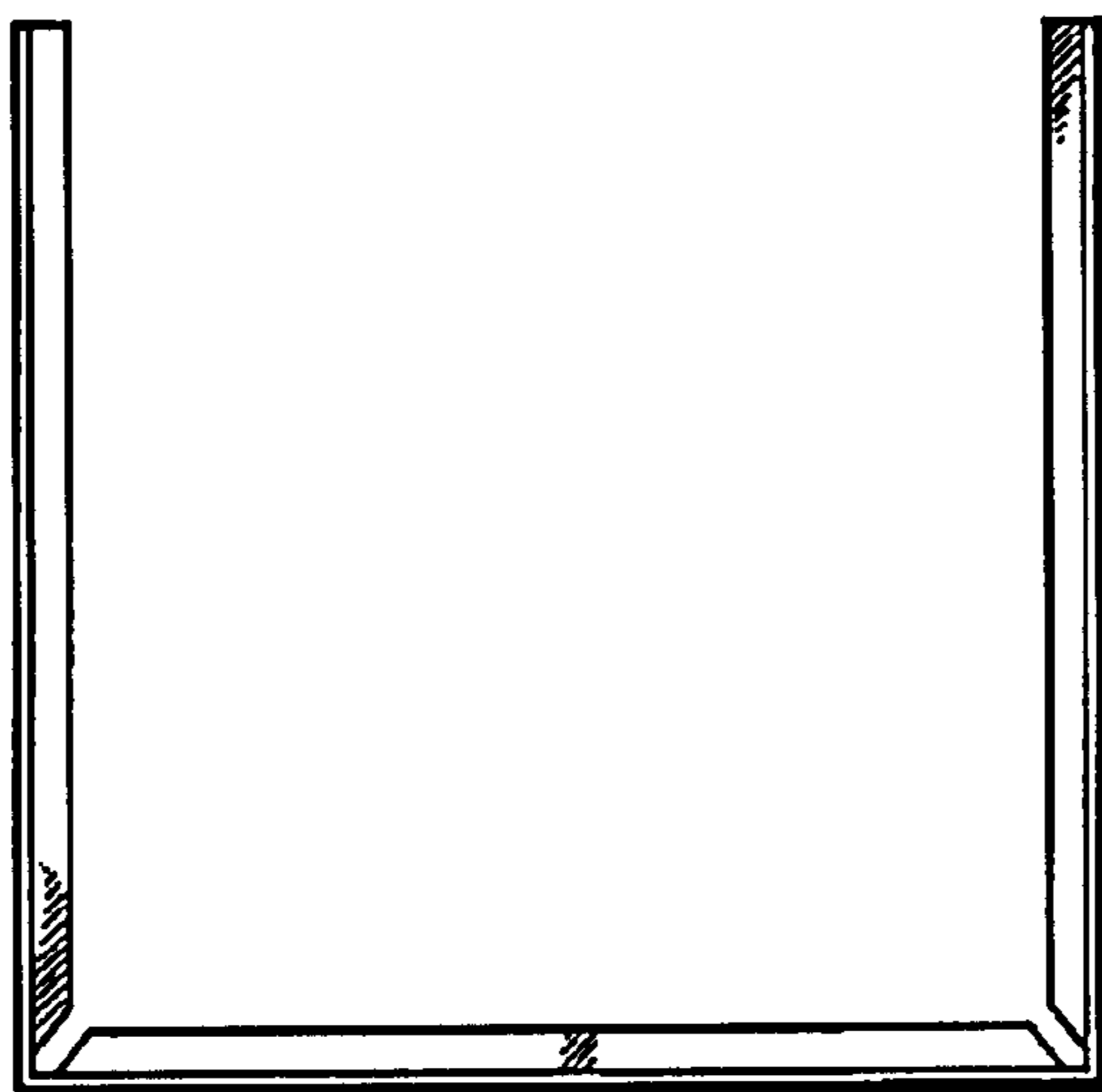


FIG. 4

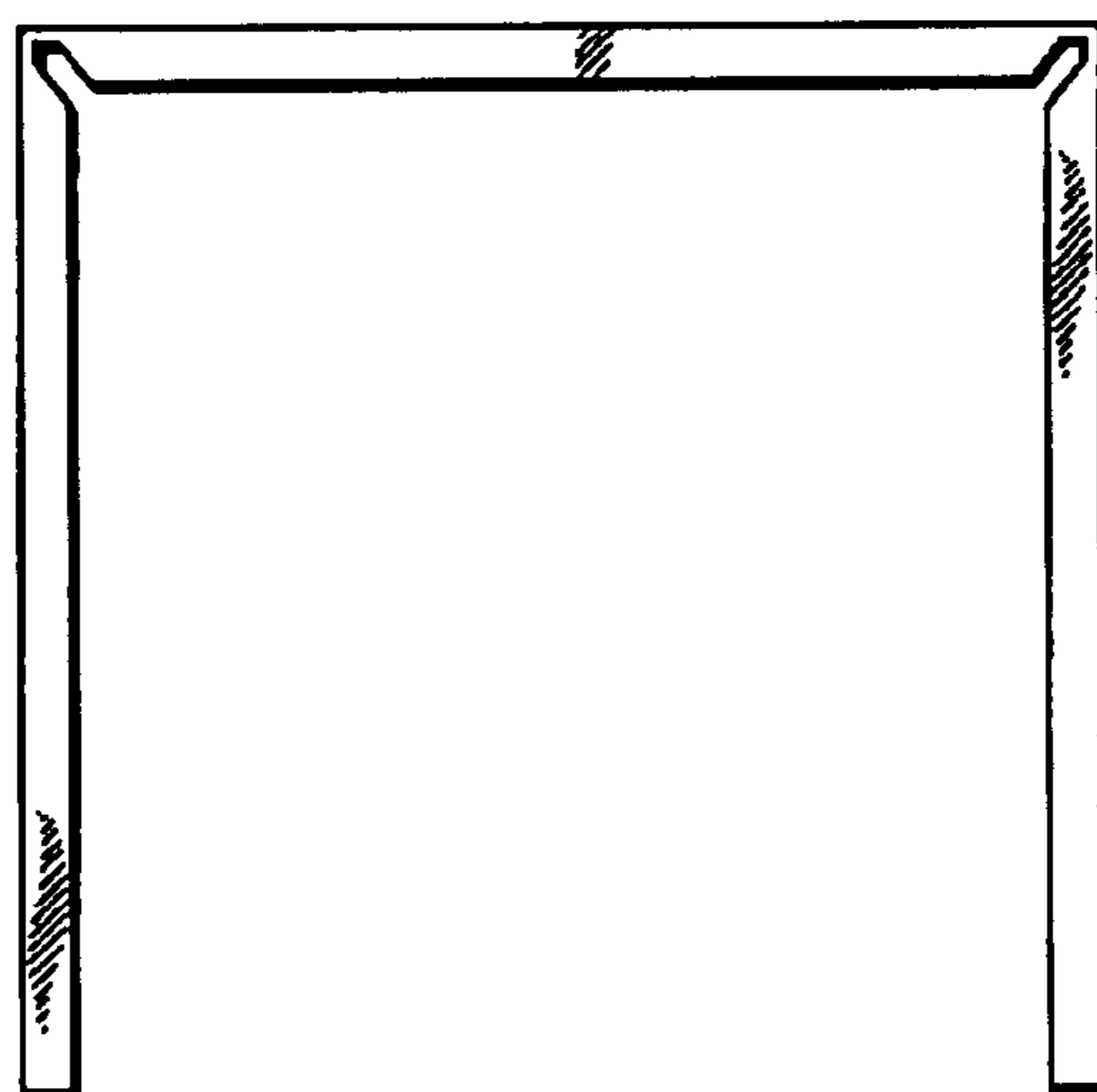


FIG. 5