



US00D521413S

(12) **United States Design Patent**
Katoh

(10) **Patent No.:** **US D521,413 S**

(45) **Date of Patent:** **** May 23, 2006**

(54) **SET OF SIDE PANELS FOR A TRANSPORT VEHICLE**

(75) Inventor: **Hisato Katoh**, Sakai (JP)

(73) Assignee: **Kubota Corporation**, Osaka (JP)

(**) Term: **14 Years**

(21) Appl. No.: **29/188,376**

(22) Filed: **Aug. 18, 2003**

(30) **Foreign Application Priority Data**

Jun. 6, 2003 (JP) 2003-016052

(51) **LOC (8) Cl.** **12-14**

(52) **U.S. Cl.** **D12/1; D12/16**

(58) **Field of Classification Search** D12/1,
D12/400, 196, 14-16, 107, 82, 86-93; D15/28,
D15/30; D21/803; 180/233, 908; 280/DIG. 5;
296/183-186, 28, 37.7

See application file for complete search history.

(56) **References Cited**

U.S. PATENT DOCUMENTS

- D159,859 S * 8/1950 Price D12/196
- D342,701 S * 12/1993 Murata et al. D12/107
- D424,140 S * 5/2000 Lincir D21/680
- D433,651 S * 11/2000 Matsumura et al. D12/1
- D440,197 S * 4/2001 Pfeiffer D12/196
- D455,066 S * 4/2002 Kolinen D8/373
- D479,171 S * 9/2003 Boyer D12/196
- D480,991 S * 10/2003 Rondeau et al. D12/107
- D483,694 S * 12/2003 Bellington D12/16
- D483,695 S * 12/2003 Bellington D12/76
- D483,712 S * 12/2003 Murkett D12/196

- D488,746 S * 4/2004 Rondeau et al. D12/107
- D489,656 S * 5/2004 Kneefel et al. D12/184

* cited by examiner

Primary Examiner—Nelson C. Holtje

(74) *Attorney, Agent, or Firm*—The Webb Law Firm

(57) **CLAIM**

The ornamental design for a set of side panels for a transport vehicle, as shown and described.

DESCRIPTION

FIG. 1 is a left side view of the set of side panels for a transport vehicle, in accordance with the present invention; FIG. 2 is a right side view of the set of side panels for a transport vehicle;

FIG. 3 is a front view of the set of side panels for a transport vehicle;

FIG. 4 is a rear view of the set of side panels for a transport vehicle;

FIG. 5 is a top view of the set of side panels for a transport vehicle;

FIG. 6 is a perspective view of FIG. 1;

FIG. 7 is a perspective view of FIG. 2;

FIG. 8 is an enlarged side view of FIG. 1 shown with the environmental structure removed;

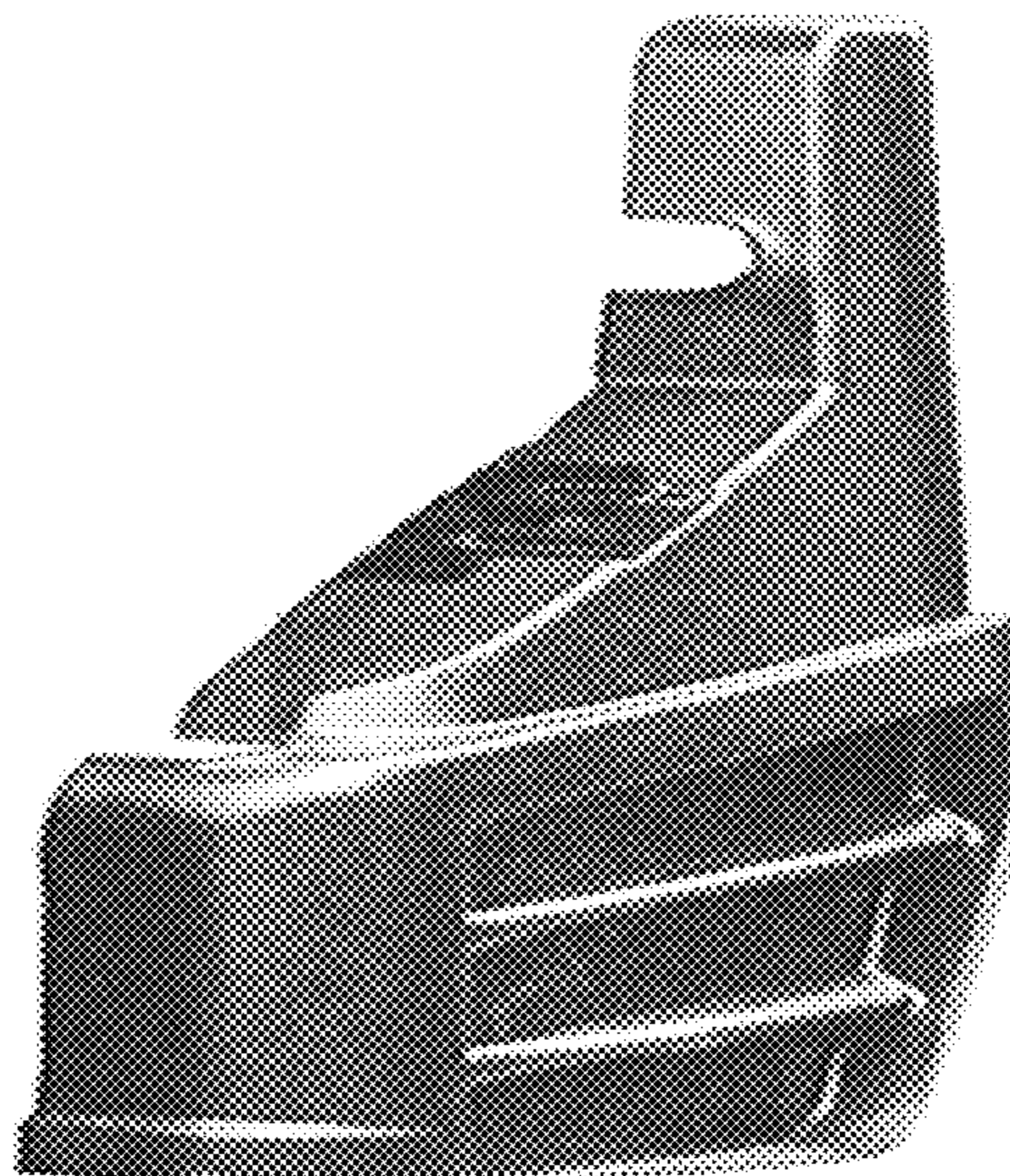
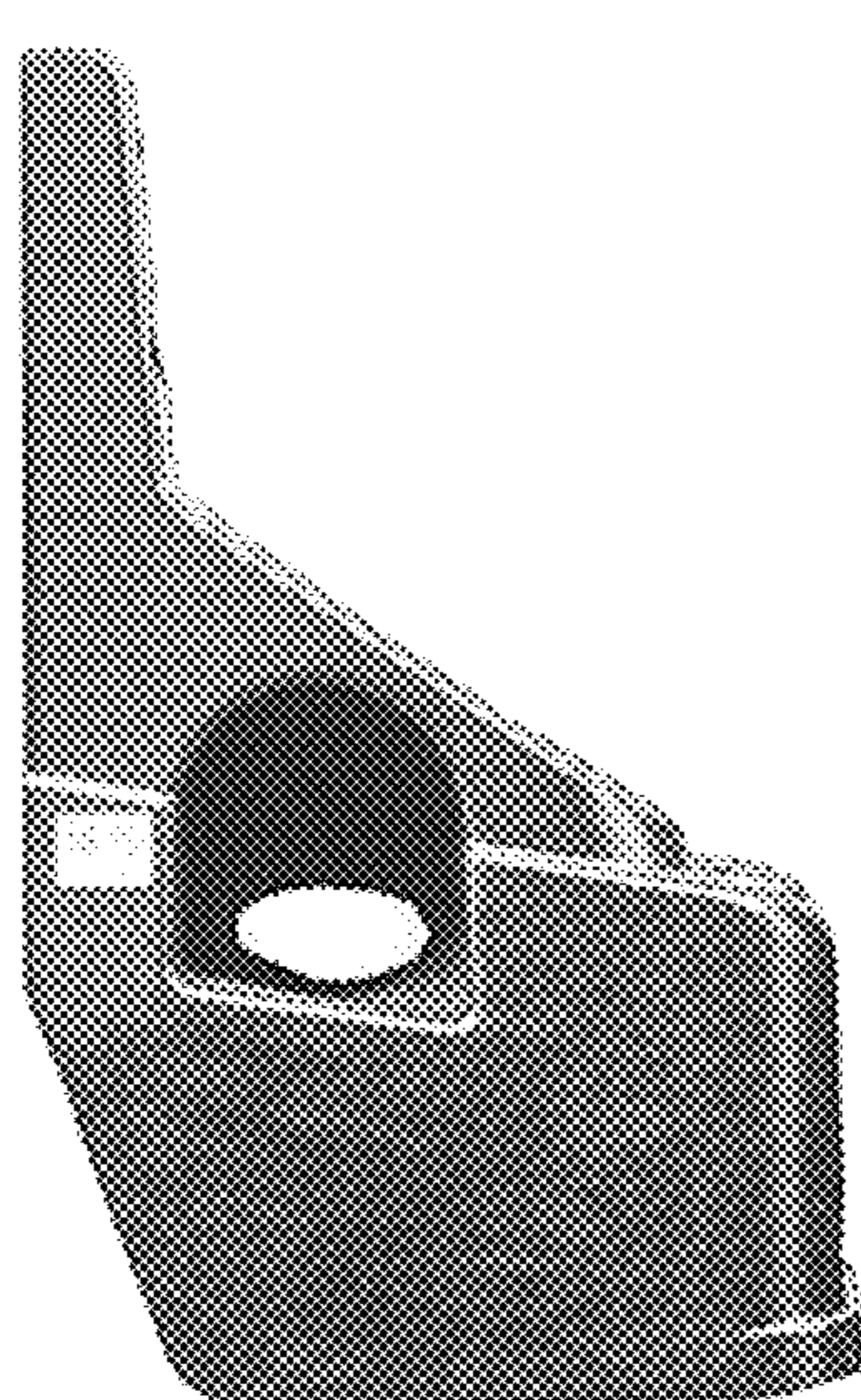
FIG. 9 is an enlarged side view of FIG. 2 shown with the environmental structure removed;

FIG. 10 is a perspective view of FIG. 8; and

FIG. 11 is a perspective view of FIG. 9.

The broken line showing of the transport vehicle is for illustrative purposes only and forms no part of the claimed design.

1 Claim, 6 Drawing Sheets



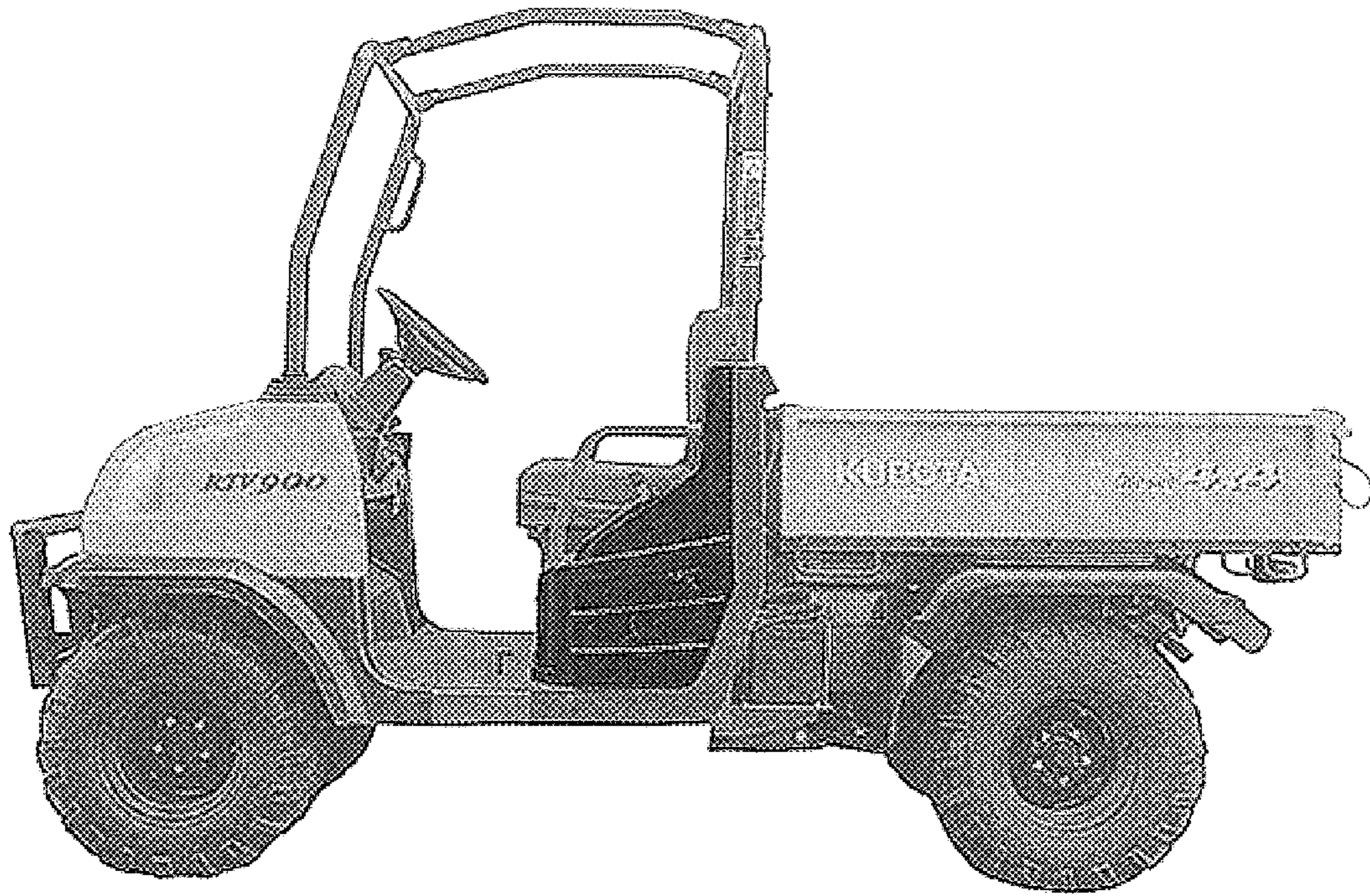


Fig. 1



Fig. 2



Fig. 3



Fig. 4

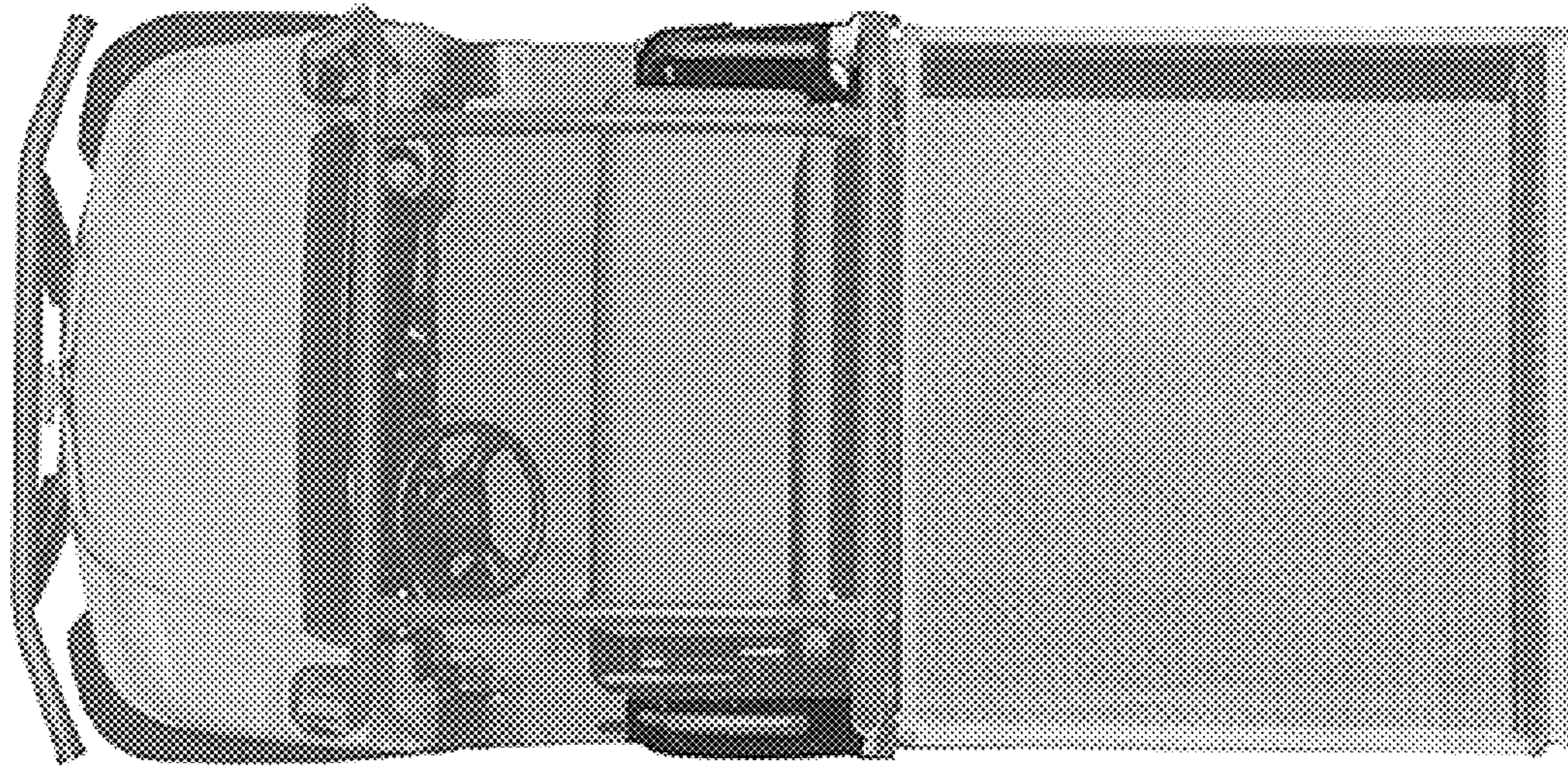


Fig. 5



Fig. 6



Fig. 7

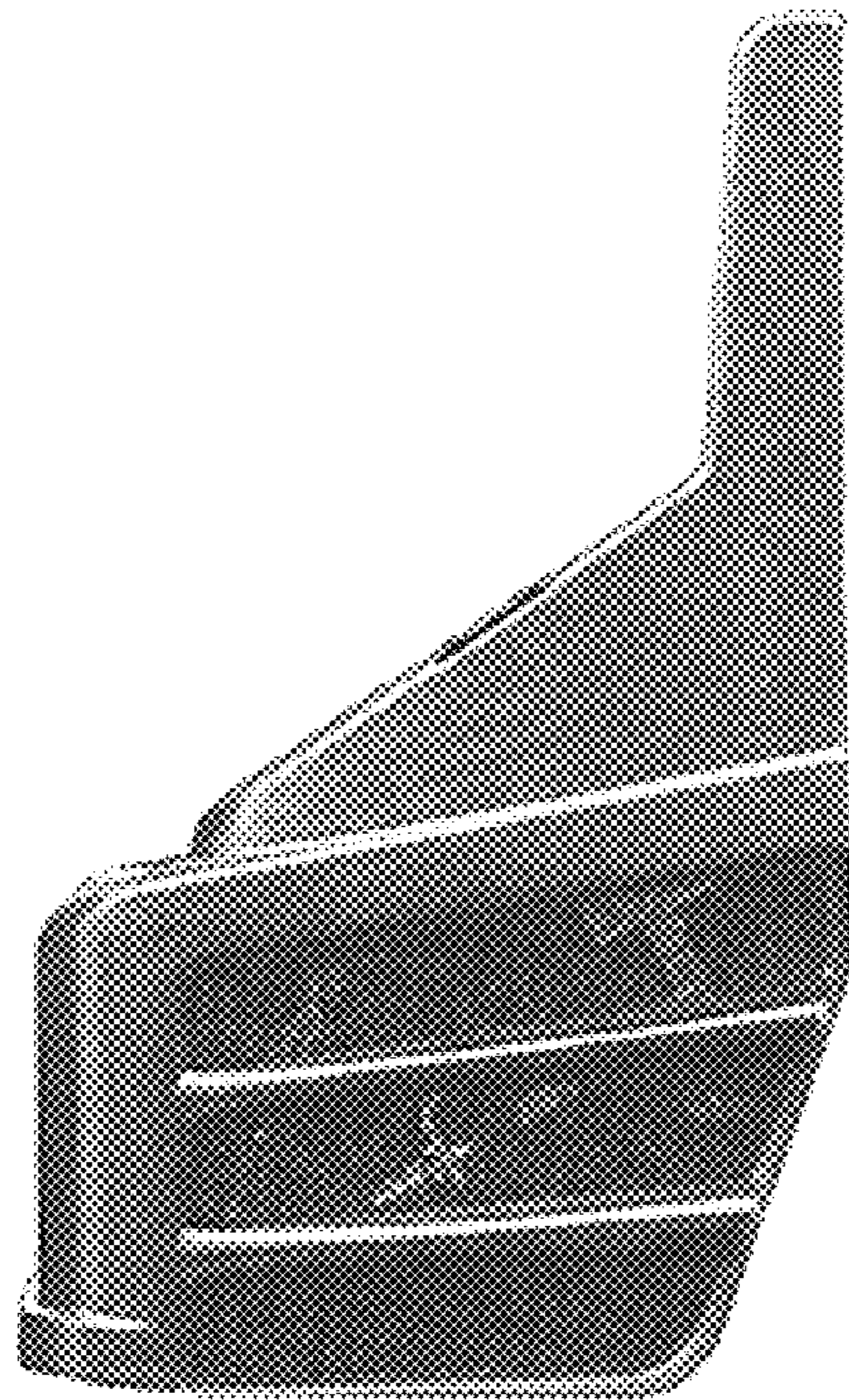


Fig. 8

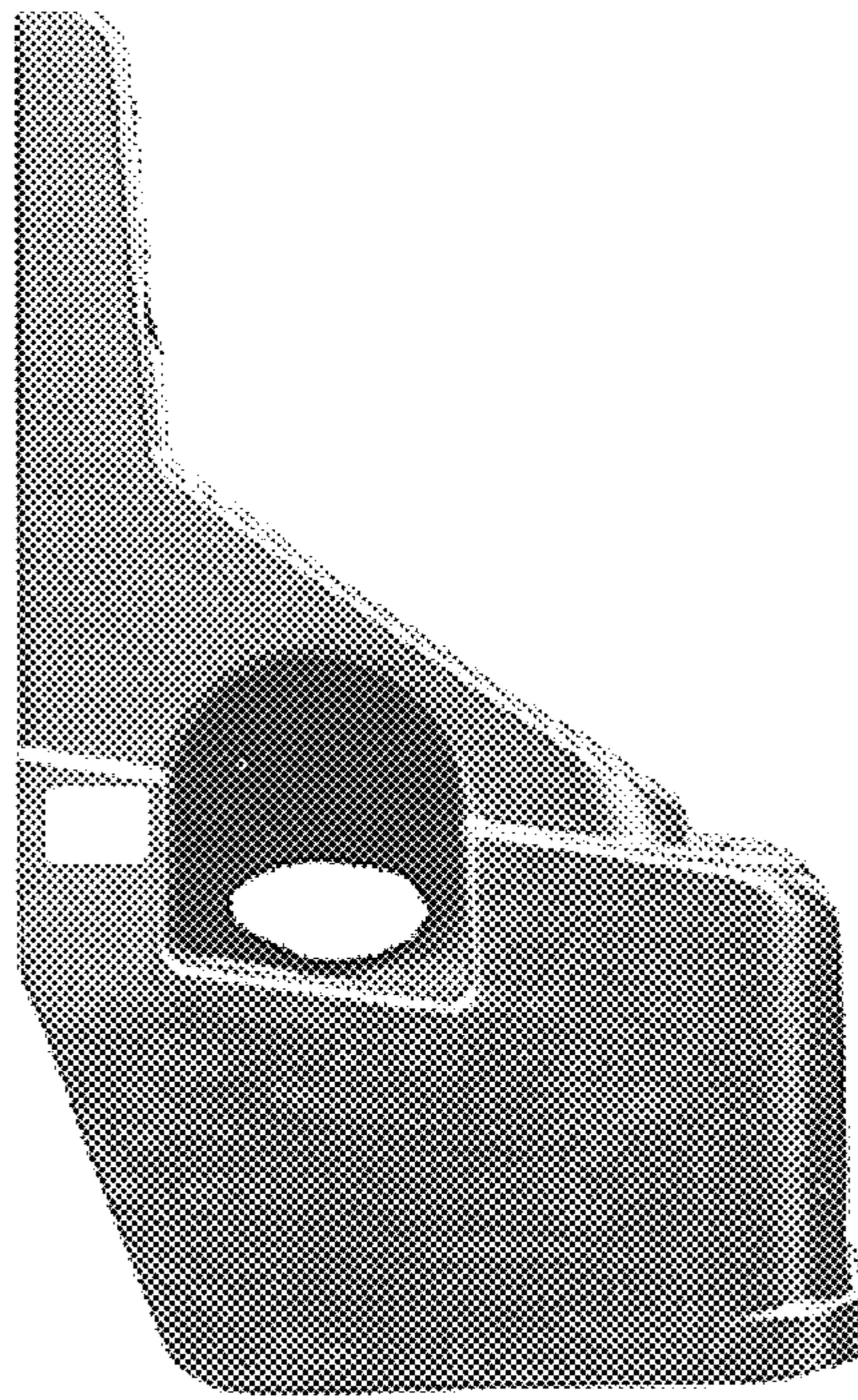


Fig. 9

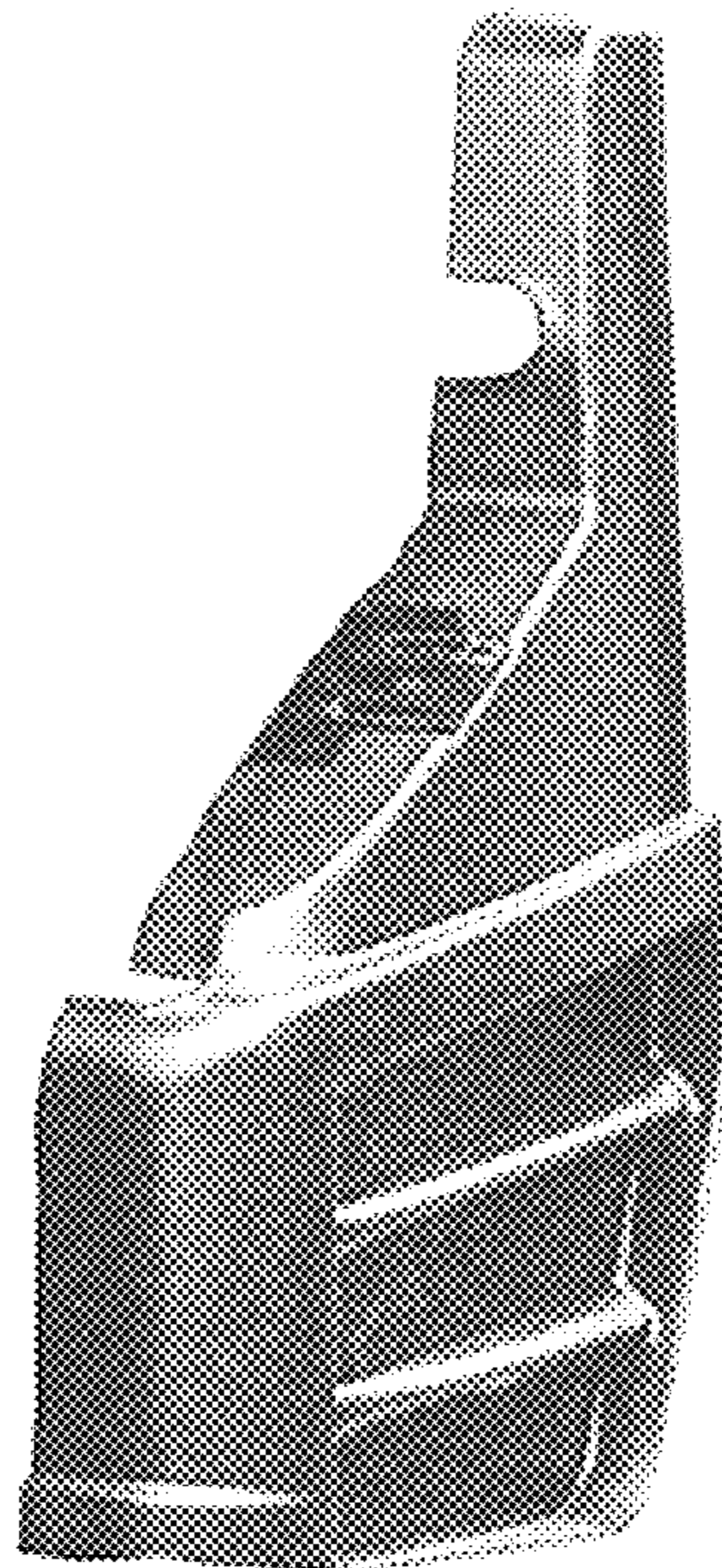


Fig. 10

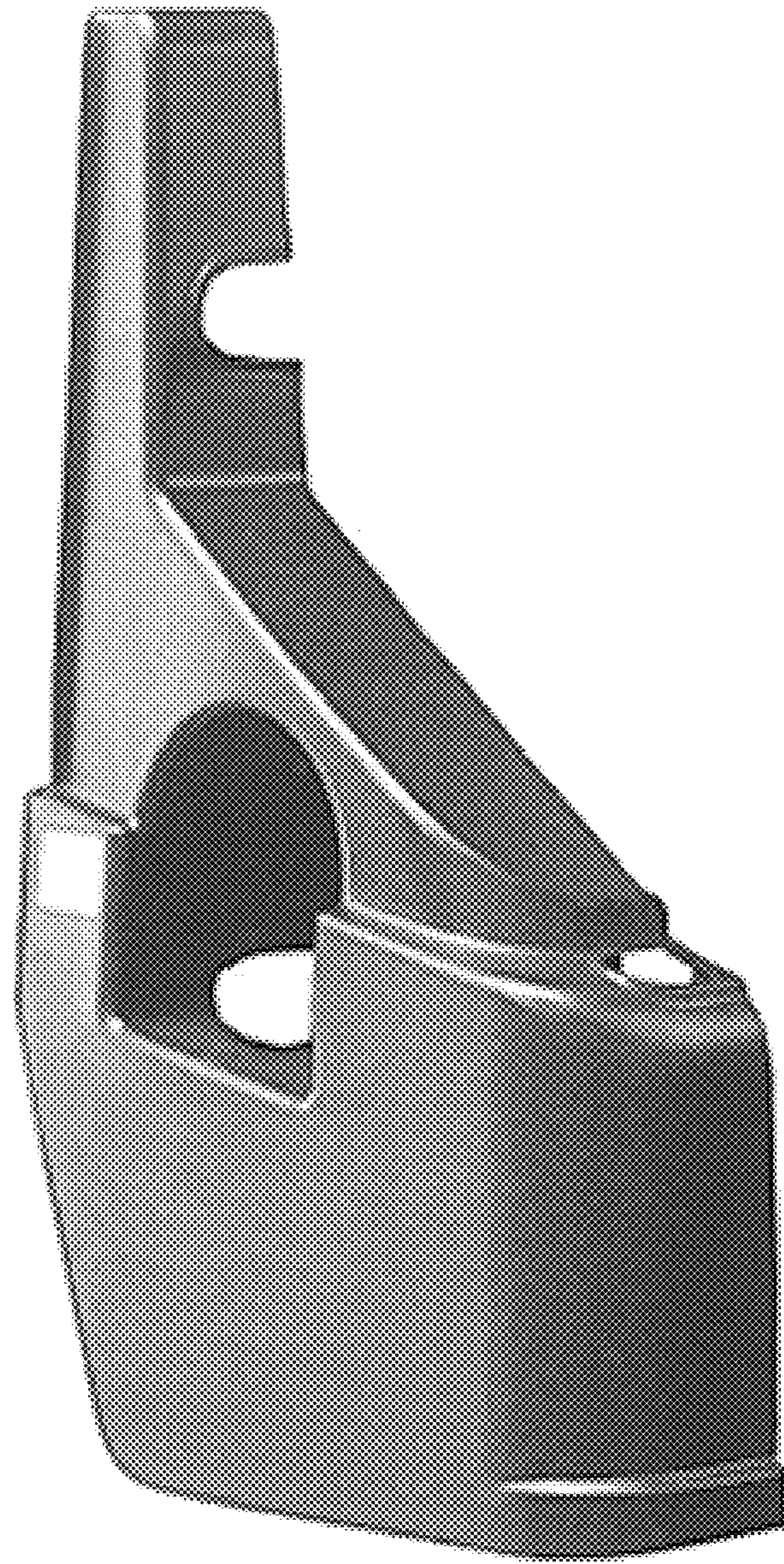


Fig. 11

UNITED STATES PATENT AND TRADEMARK OFFICE
CERTIFICATE OF CORRECTION

PATENT NO. : Des. 521,413 S
APPLICATION NO. : 29/188376
DATED : May 23, 2006
INVENTOR(S) : Katoh

Page 1 of 12

It is certified that error appears in the above-identified patent and that said Letters Patent is hereby corrected as shown below:

The Title Page, Showing an Illustrative Figure, Should be **Deleted** and **Substitute** therefor the Attached Title Page.

Delete Drawing Sheets 1 - 6 and **Substitute** therefor the Drawing Sheets Consisting of Figs 1-11 as Shown on the Attached Pages.

Signed and Sealed this

Second Day of December, 2008

A handwritten signature in black ink that reads "Jon W. Dudas". The signature is written in a cursive style with a large, stylized initial "J".

JON W. DUDAS

Director of the United States Patent and Trademark Office

(12) **United States Design Patent** (10) **Patent No.:** **US D521,413 S**
Katoh (45) **Date of Patent:** **** May 23, 2006**

(54) **SET OF SIDE PANELS FOR A TRANSPORT VEHICLE**

(75) Inventor: **Hisato Katoh, Sakai (JP)**

(73) Assignee: **Kubota Corporation, Osaka (JP)**

(**) Term: **14 Years**

(21) Appl. No.: **29/188,376**

(22) Filed: **Aug. 18, 2003**

(30) **Foreign Application Priority Data**
 Jun. 6, 2003 (JP) 2003-016052

(51) **LOC (8) Cl.** **12-14**

(52) **U.S. Cl.** **D12/1; D12/16**

(58) **Field of Classification Search** **D12/1, D12/400, 196, 14-16, 107, 82, 86-93; D15/28, D15/30; D21/803; 180/233, 908; 280/DIG. 5; 296/183-186, 28, 37.7**
 See application file for complete search history.

(56) **References Cited**

U.S. PATENT DOCUMENTS

D159,859 S * 8/1950 Price D12/196
 D342,701 S * 12/1993 Murata et al. D12/107
 D424,149 S * 5/2000 Lincir D21/680
 D433,651 S * 11/2000 Matsumura et al. D12/1
 D440,197 S * 4/2001 Pfeiffer D12/196
 D455,066 S * 4/2002 Kolisen D8/373
 D479,171 S * 9/2003 Boyer D12/196
 D480,991 S * 10/2003 Rondeau et al. D12/107
 D483,694 S * 12/2003 Bellington D12/16
 D483,695 S * 12/2003 Bellington D12/76
 D483,712 S * 12/2003 Murkett D12/196

D488,746 S * 4/2004 Rondeau et al. D12/107
 D489,656 S * 5/2004 Kneefel et al. D12/184

* cited by examiner

Primary Examiner—Nelson C. Holtje
(74) Attorney, Agent, or Firm—The Webb Law Firm

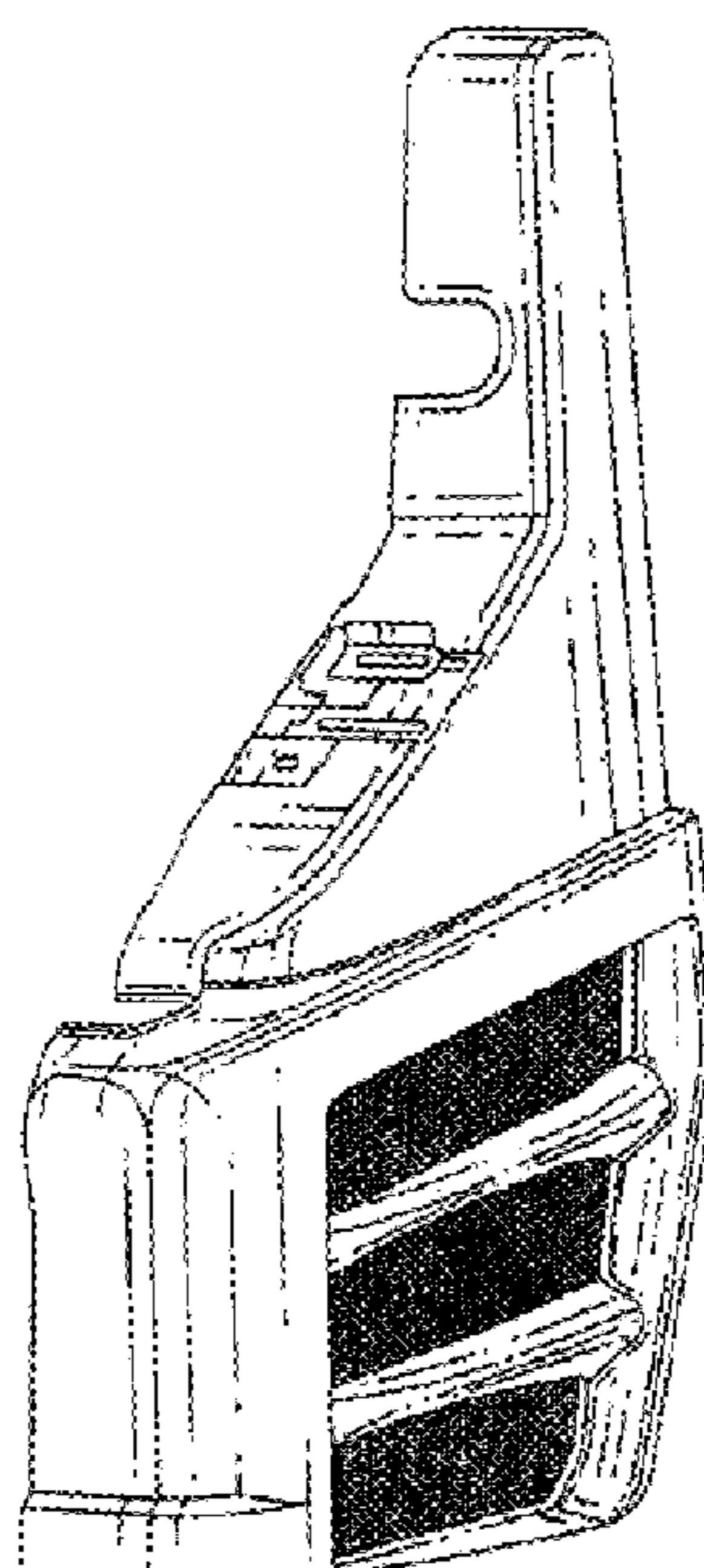
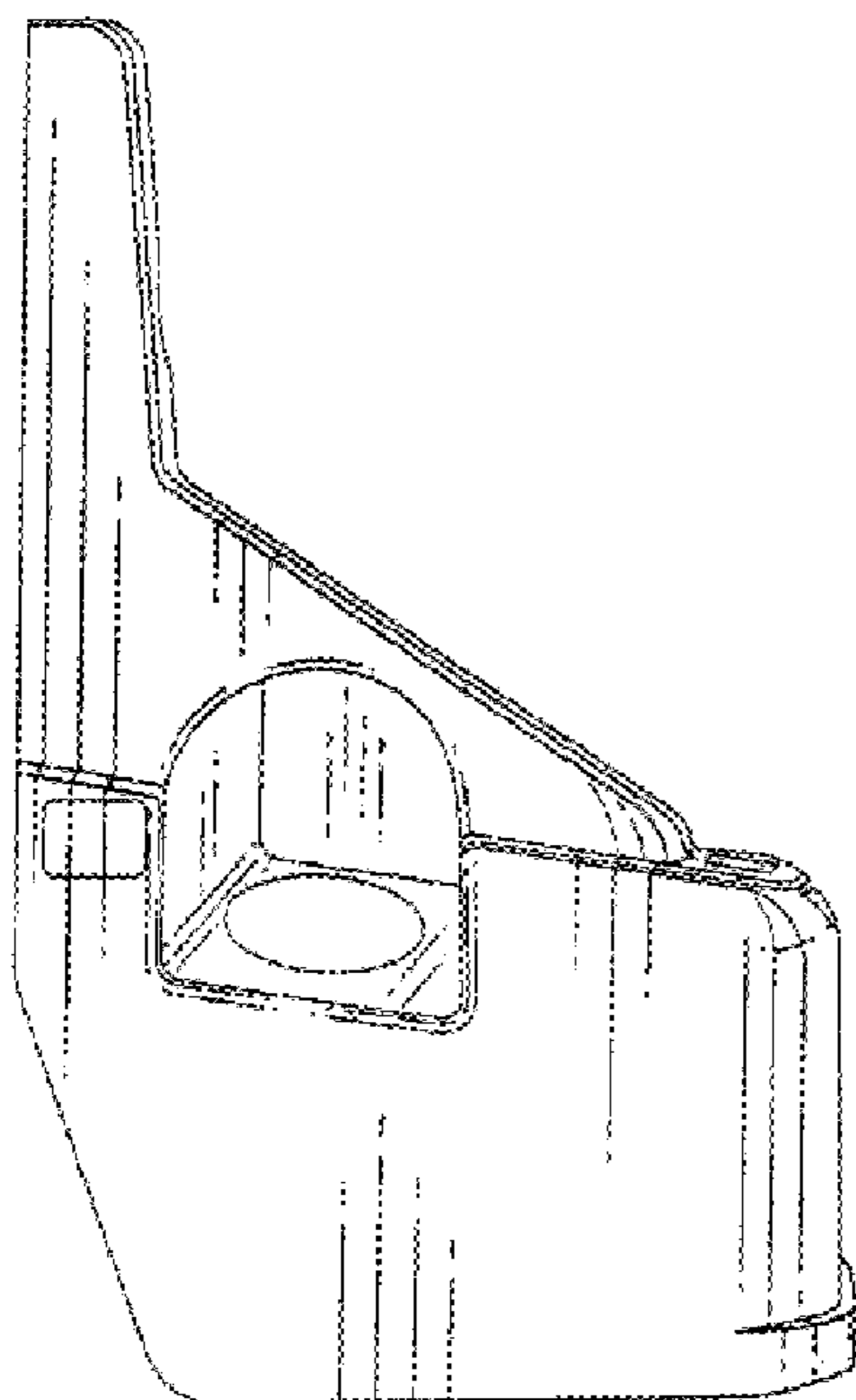
(57) **CLAIM**

The ornamental design for a set of side panels for a transport vehicle, as shown and described.

DESCRIPTION

FIG. 1 is a left side view of the set of side panels for a transport vehicle, in accordance with the present invention; FIG. 2 is a right side view of the set of side panels for a transport vehicle; FIG. 3 is a front view of the set of side panels for a transport vehicle; FIG. 4 is a rear view of the set of side panels for a transport vehicle; FIG. 5 is a top view of the set of side panels for a transport vehicle; FIG. 6 is a perspective view of FIG. 1; FIG. 7 is a perspective view of FIG. 2; FIG. 8 is an enlarged side view of FIG. 1 shown with the environmental structure removed; FIG. 9 is an enlarged side view of FIG. 2 shown with the environmental structure removed; FIG. 10 is a perspective view of FIG. 8; and FIG. 11 is a perspective view of FIG. 9. The broken line showing of the transport vehicle is for illustrative purposes only and forms no part of the claimed design.

1 Claim, 10 Drawing Sheets

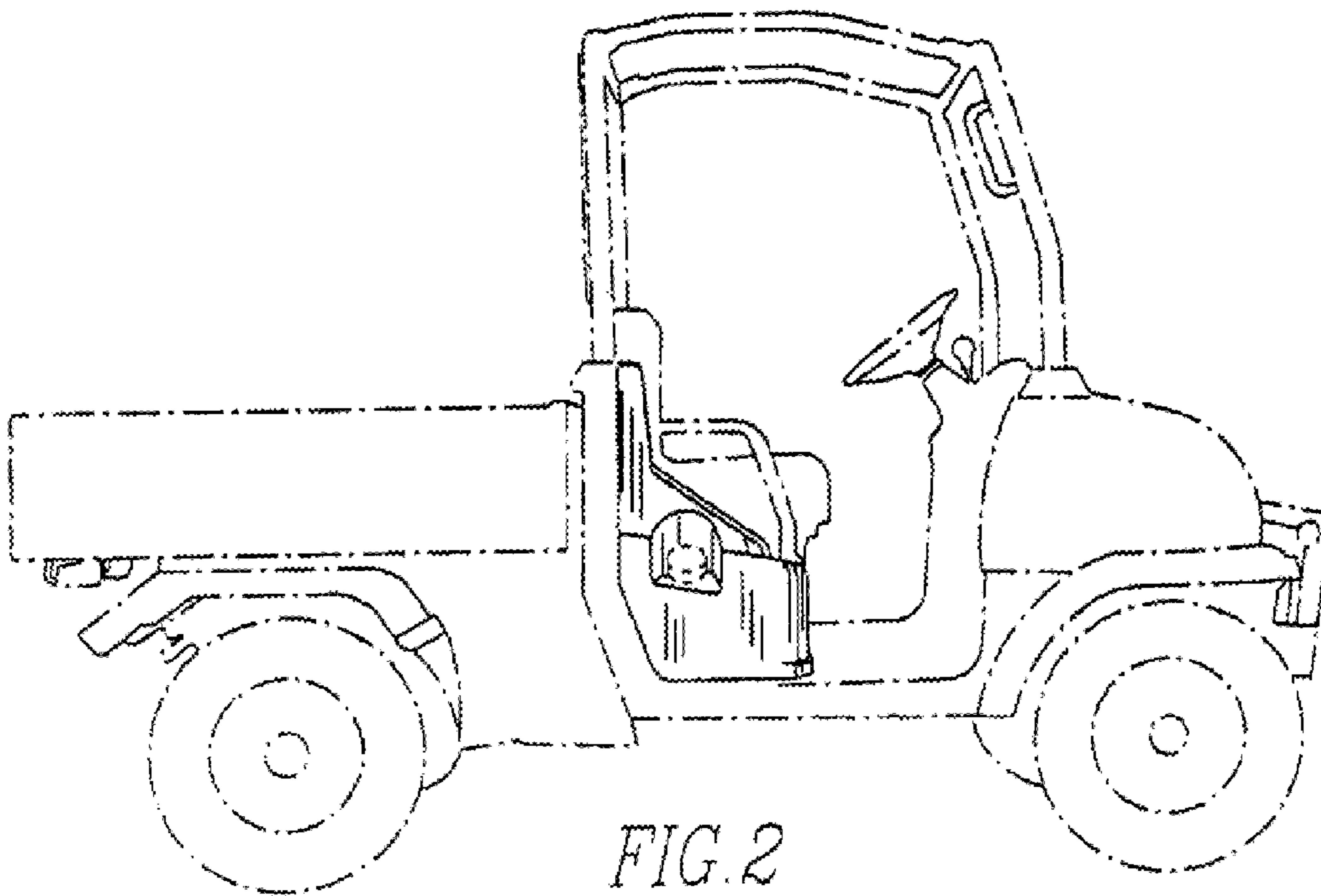
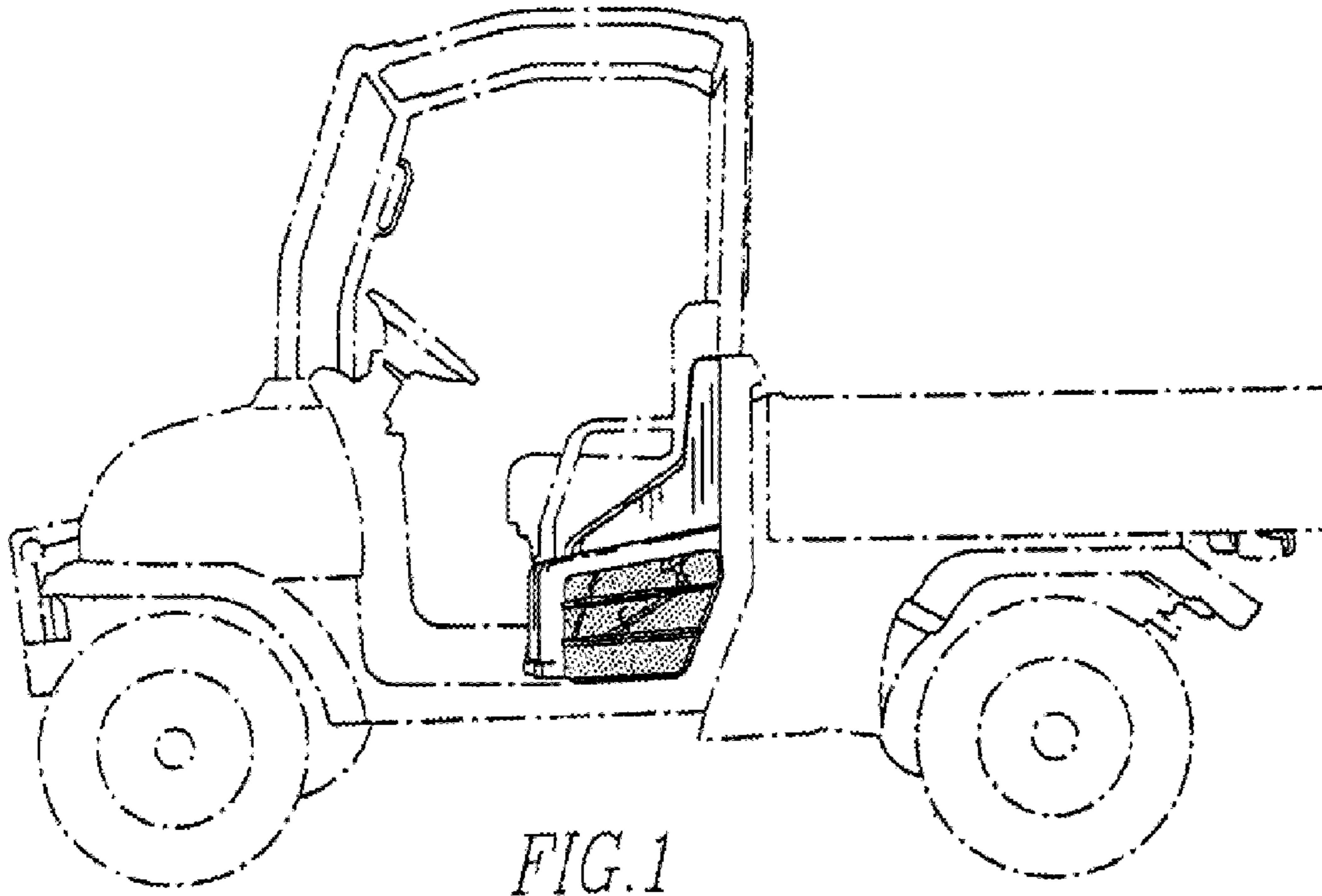


U.S. Patent

May 23, 2006

Sheet 1 of 10

D521,413 S



U.S. Patent

May 23, 2006

Sheet 2 of 10

D521,413 S

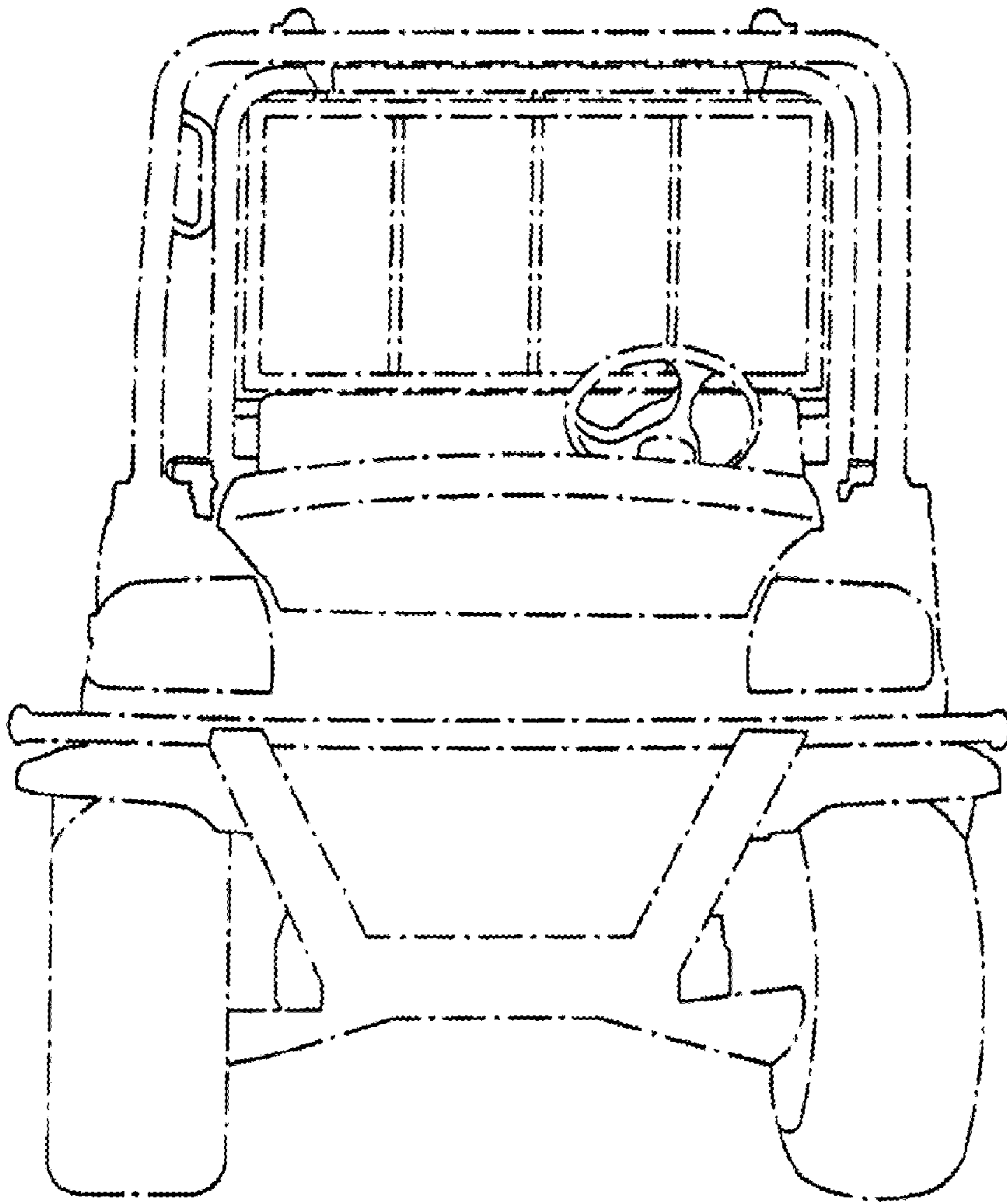


FIG. 3

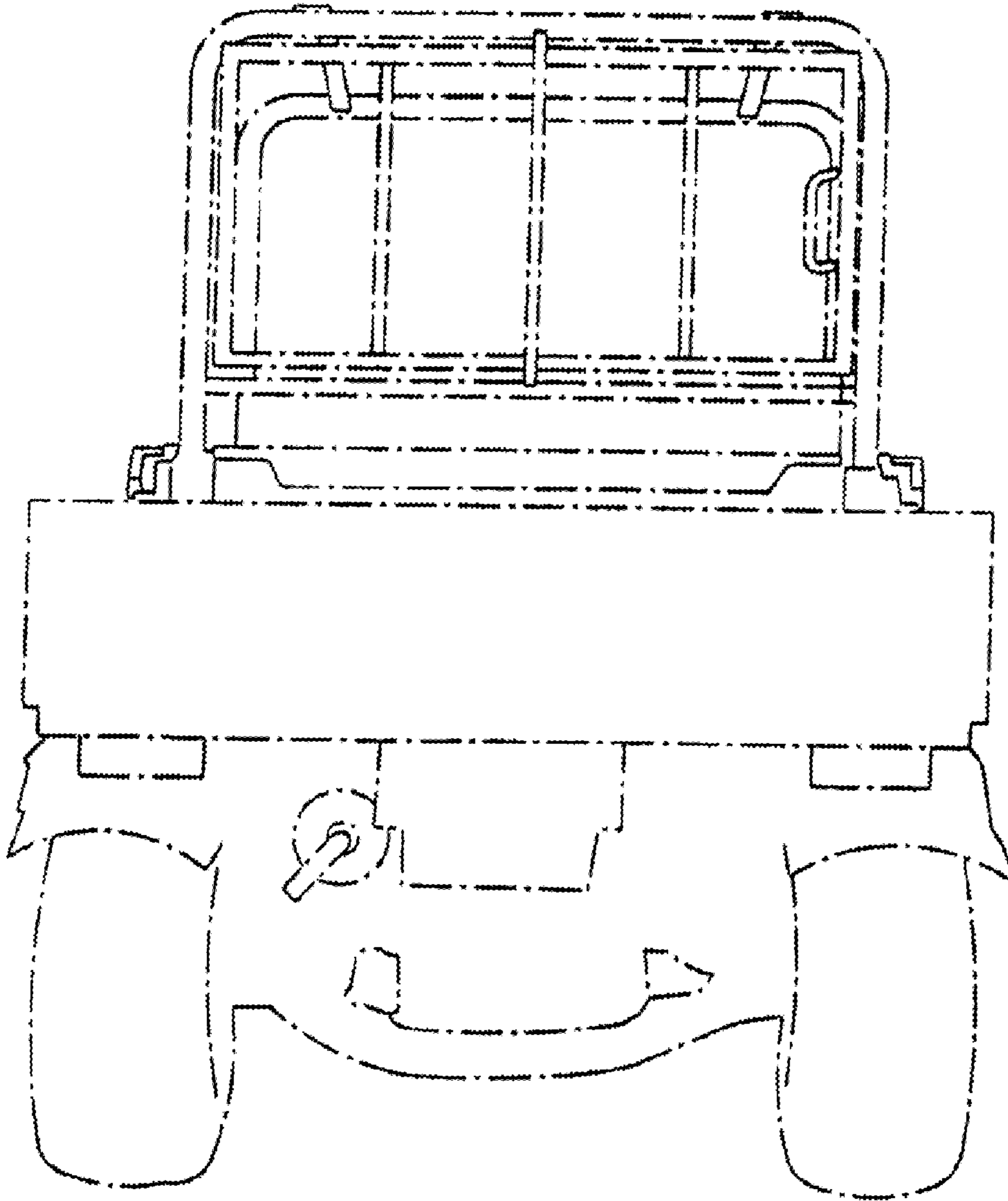


FIG. 4

U.S. Patent

May 23, 2006

Sheet 4 of 10

D521,413 S

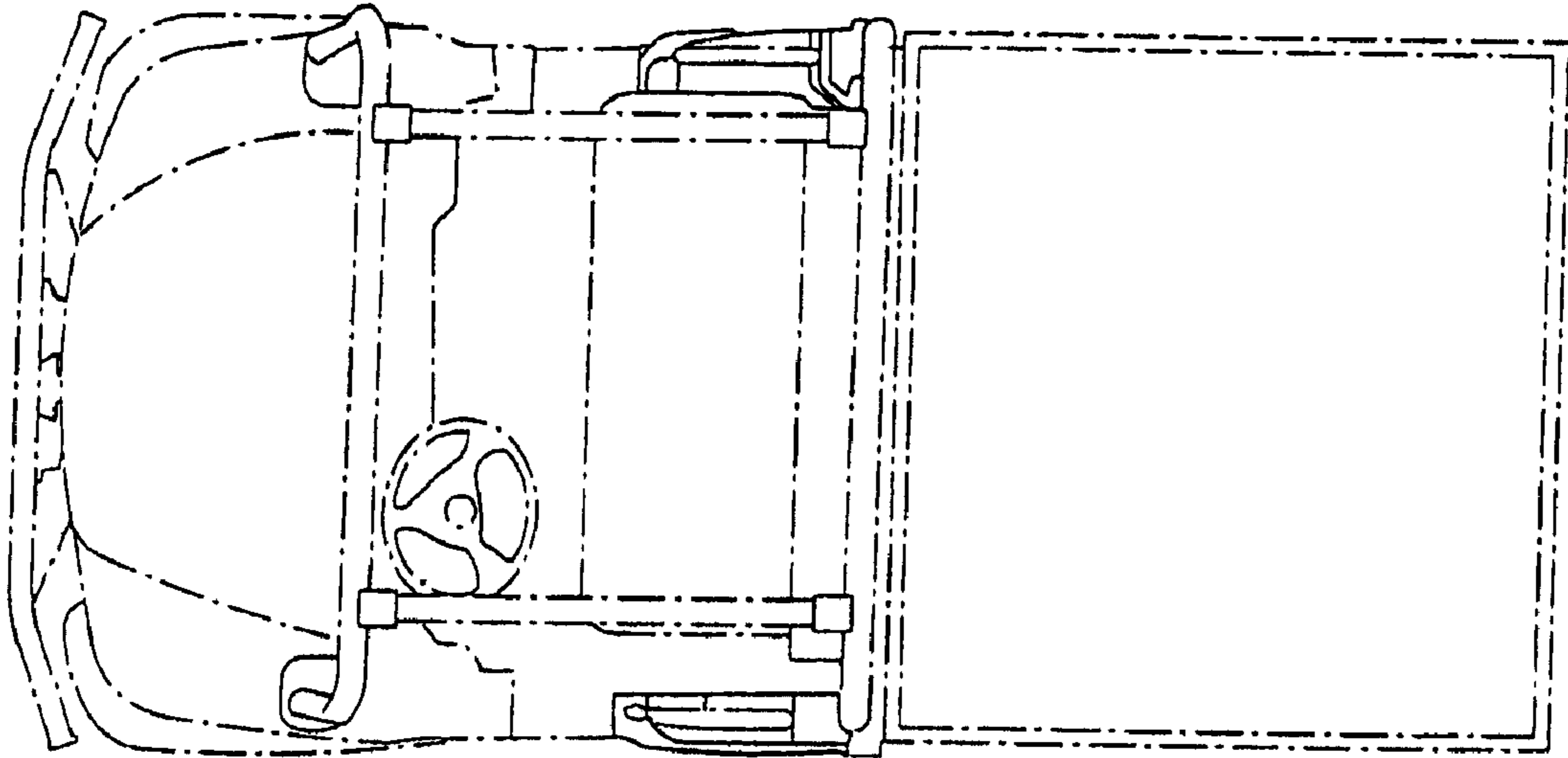


FIG. 5

U.S. Patent

May 23, 2006

Sheet 5 of 10

D521,413 S

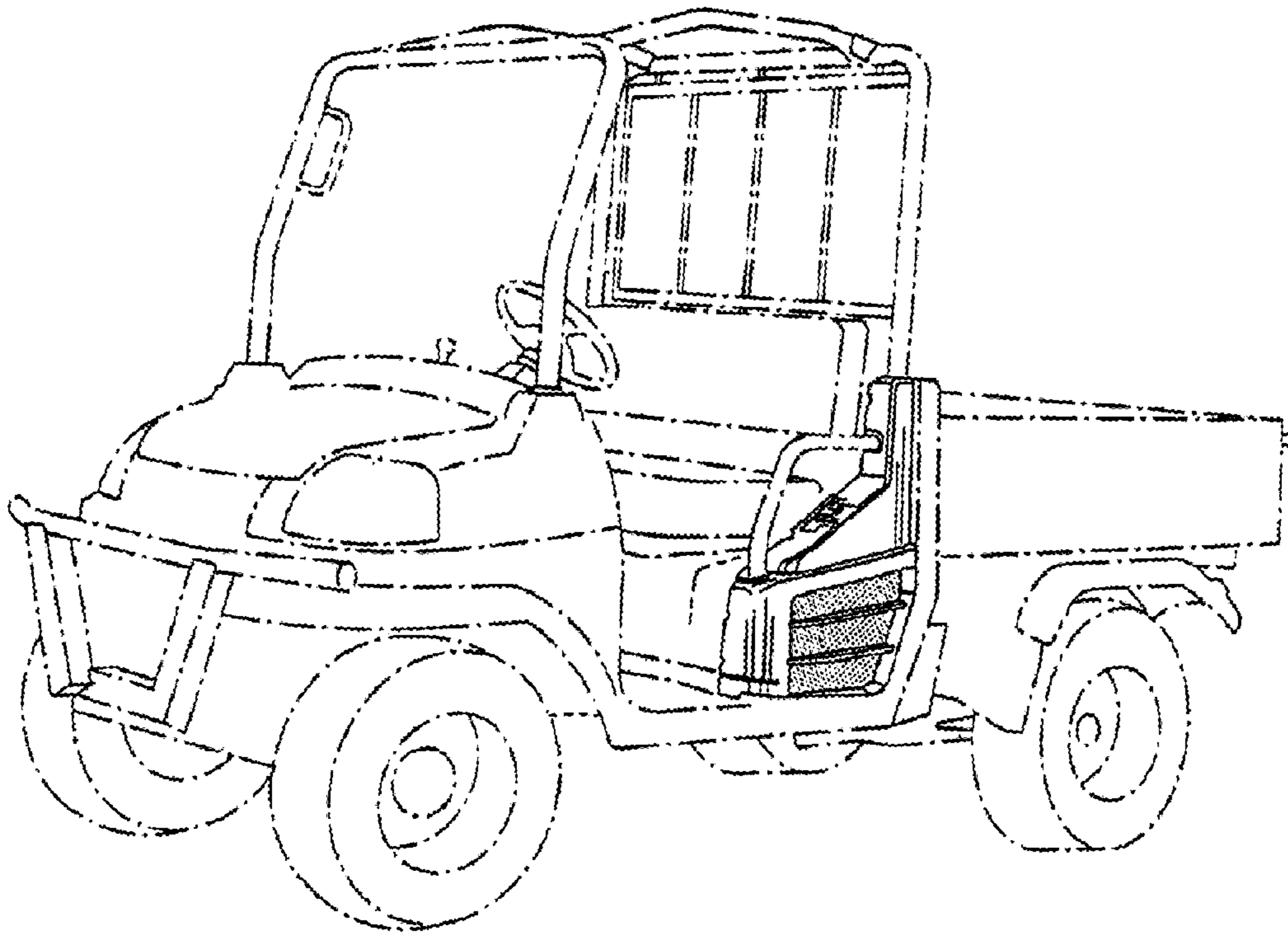


FIG. 6

U.S. Patent

May 23, 2006

Sheet 6 of 10

D521,413 S

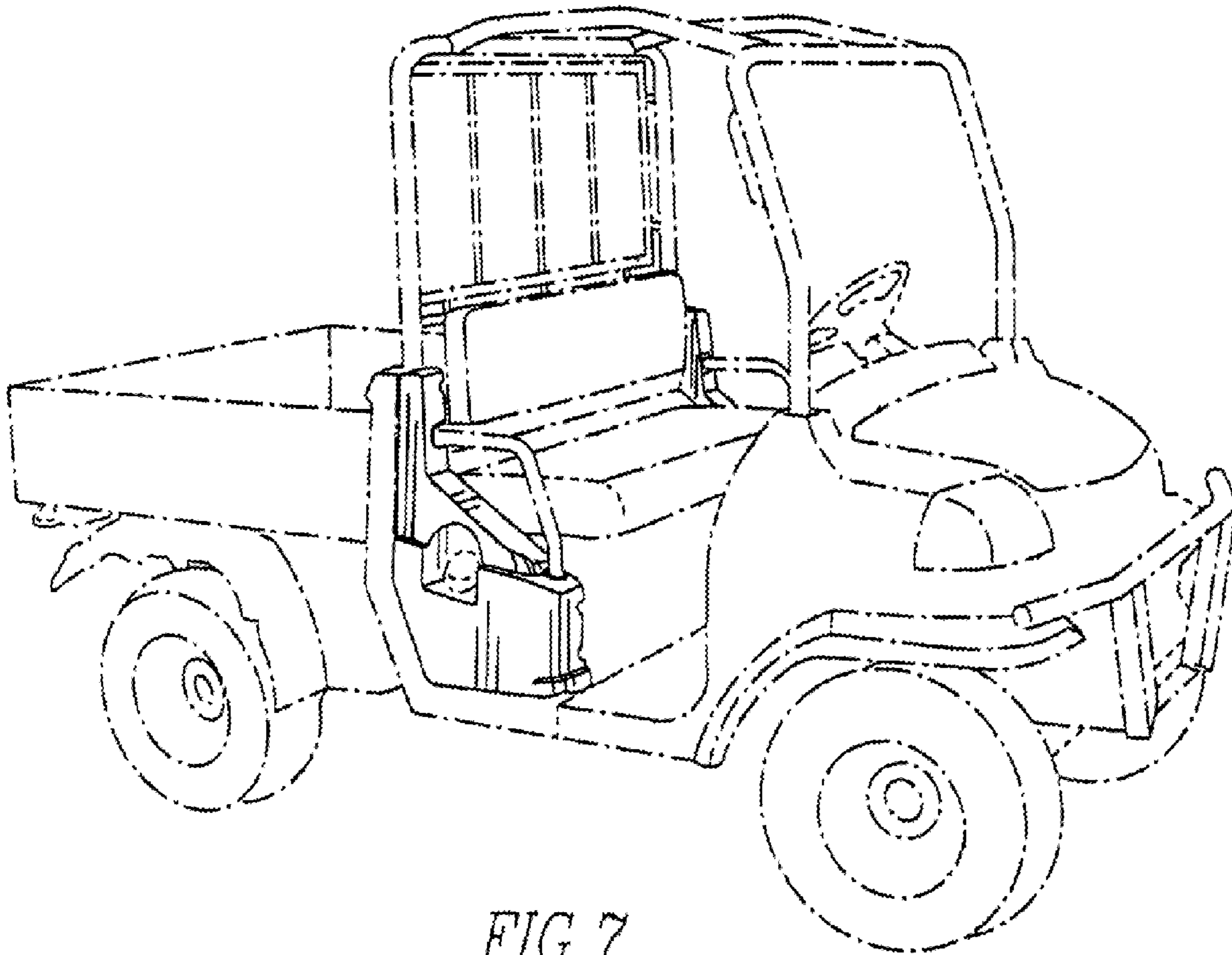


FIG. 7

U.S. Patent

May 23, 2006

Sheet 7 of 10

D521,413 S

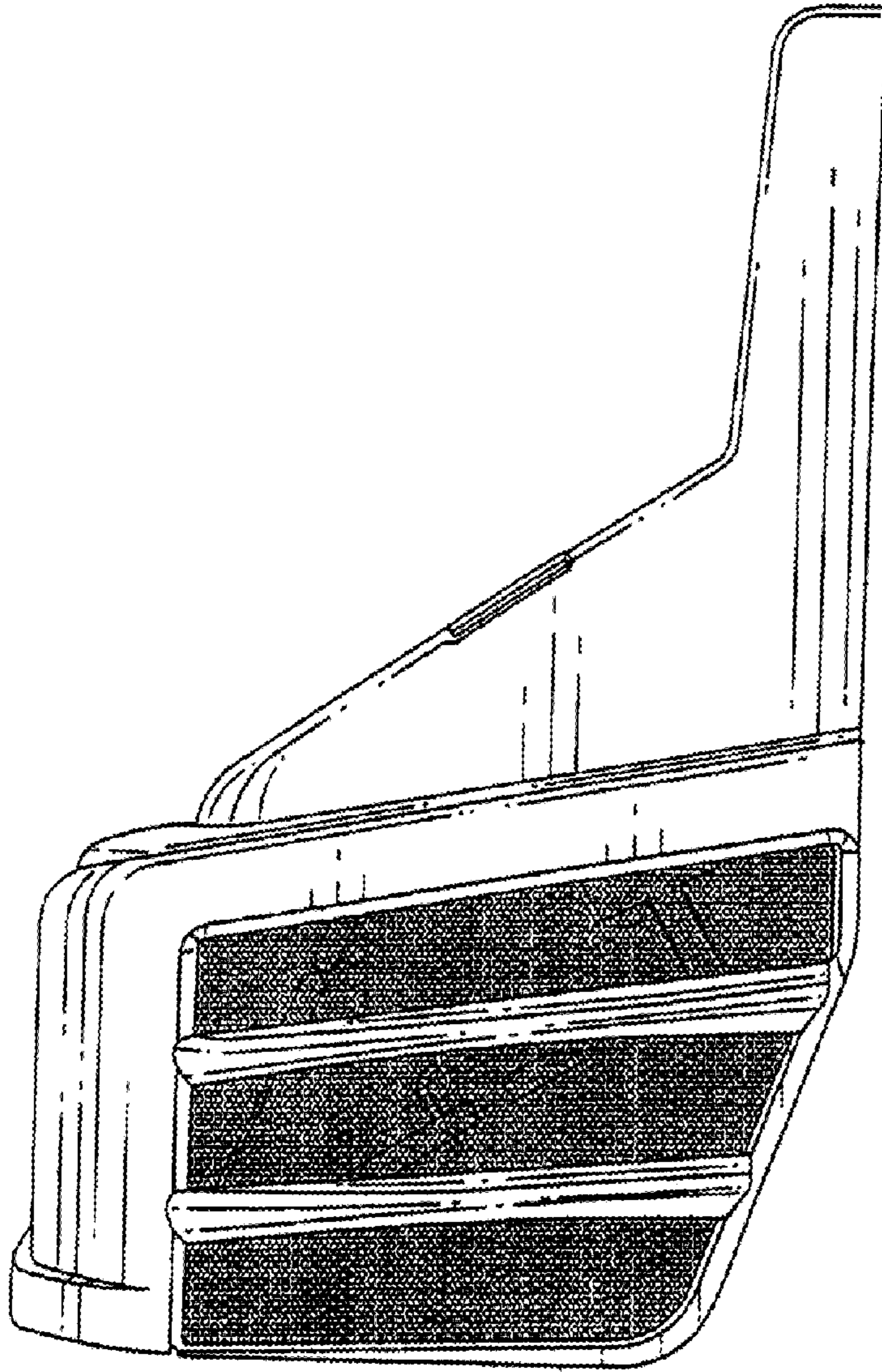


FIG. 8

U.S. Patent

May 23, 2006

Sheet 8 of 10

D521,413 S

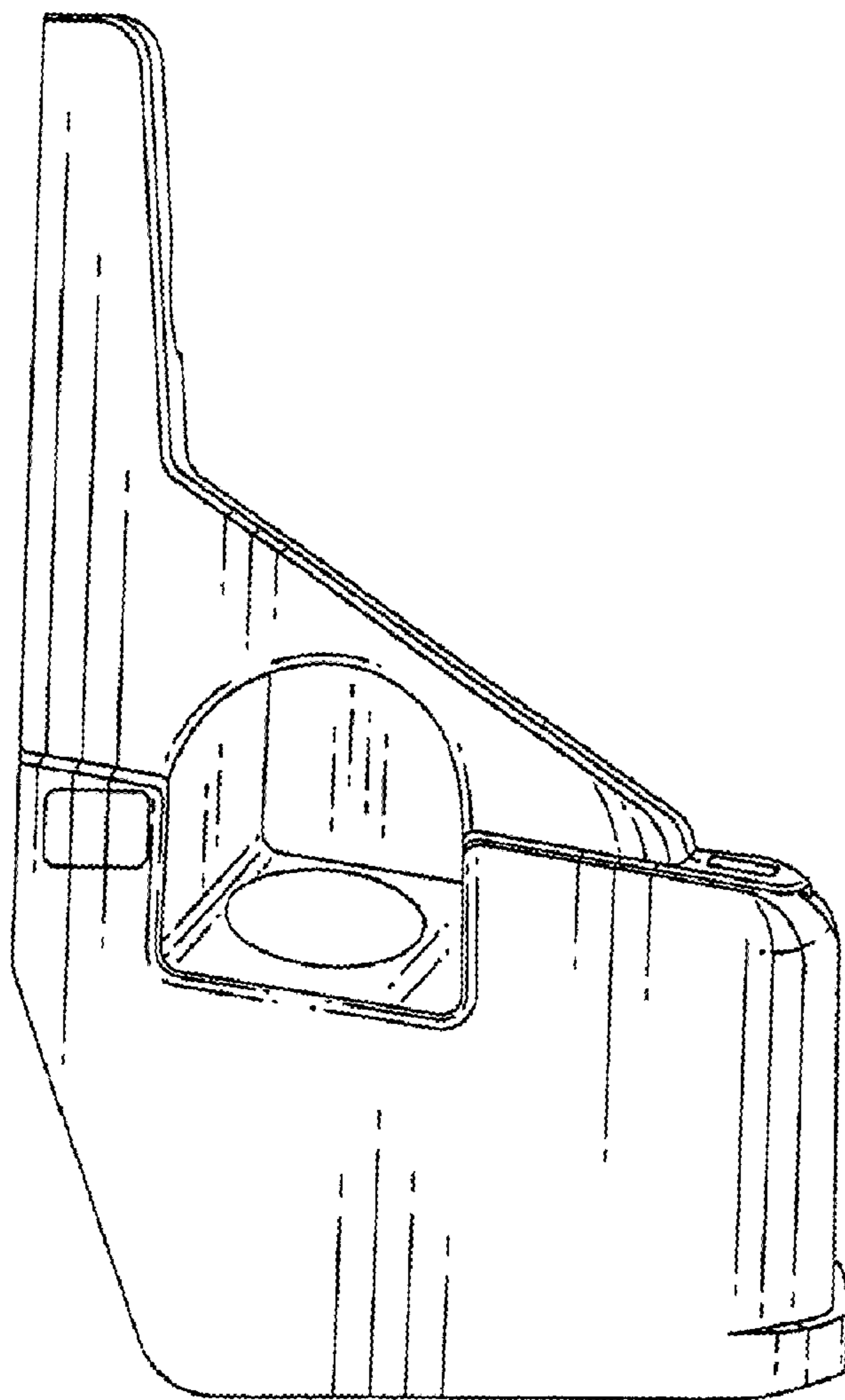


FIG. 9

U.S. Patent

May 23, 2006

Sheet 9 of 10

D521,413 S

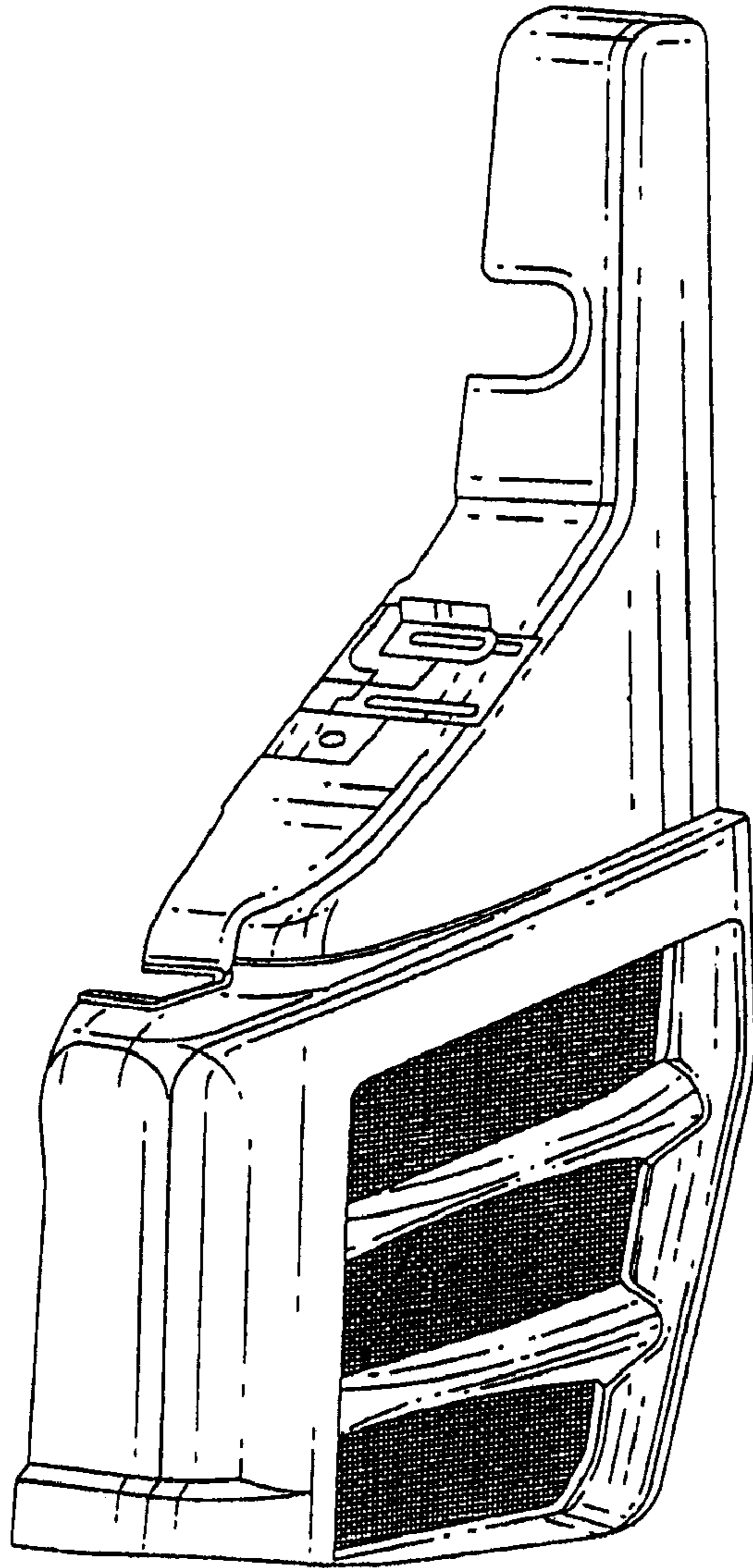


FIG. 10

U.S. Patent

May 23, 2006

Sheet 10 of 10

D521,413 S

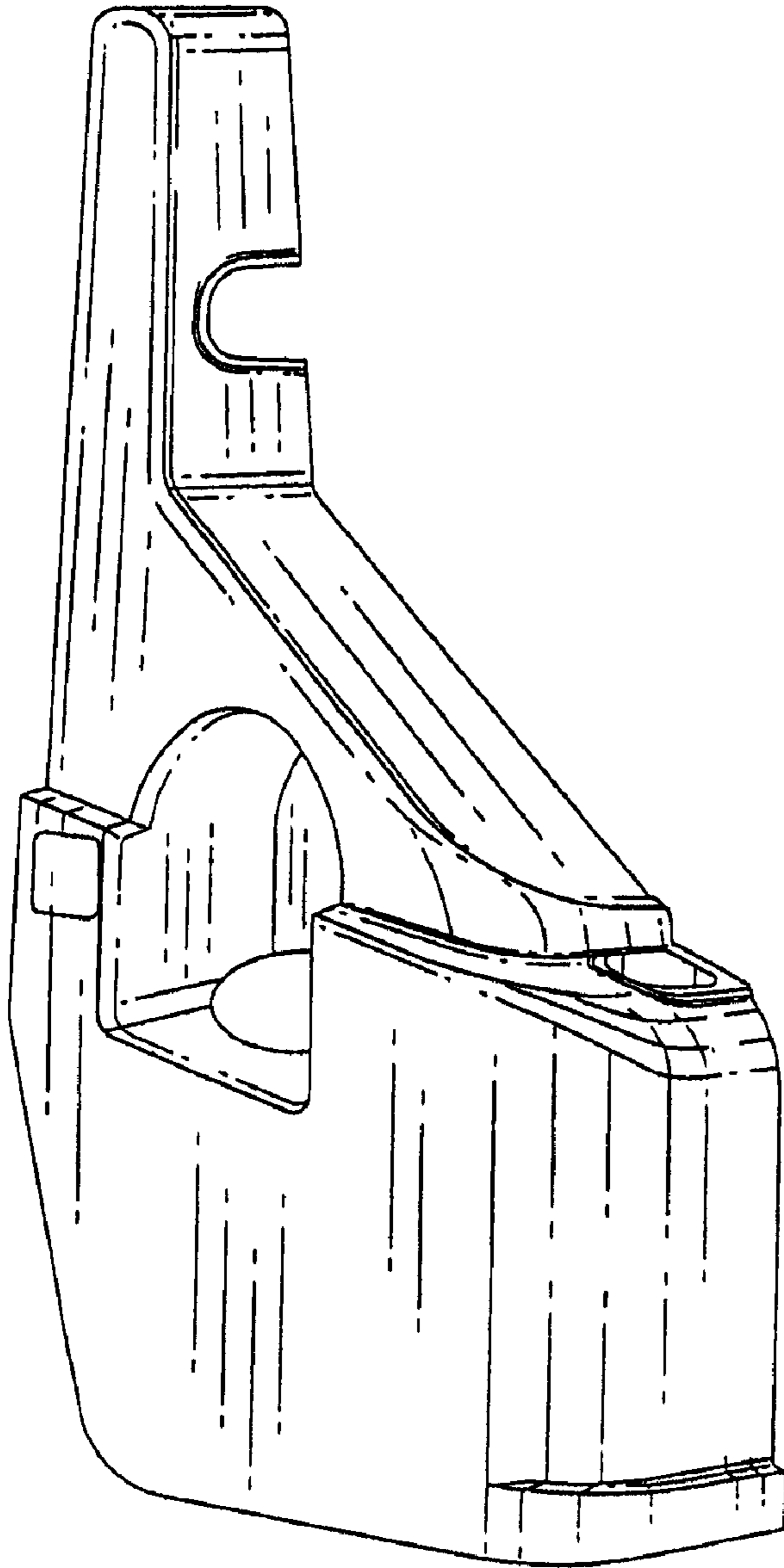


FIG. 11