

US00D521405S

(12) **United States Design Patent**
Emery et al.

(10) **Patent No.:** **US D521,405 S**

(45) **Date of Patent:** **** May 23, 2006**

(54) **PERFUME BRACELET**

D472,839 S * 4/2003 Charriol D11/3

(75) Inventors: **R. Blake Emery**, Enumclaw, WA (US);
Kenneth J. Dowd, Issaquah, WA (US);
Kee Sook Jeon, Everett, WA (US)

* cited by examiner

Primary Examiner—Doris Clark

Assistant Examiner—Michael A. Pratt

(73) Assignee: **The Boeing Company**, Chicago, IL
(US)

(74) *Attorney, Agent, or Firm*—John A. Artz; Artz & Artz,
P.C.

(**) Term: **14 Years**

(57) **CLAIM**

The ornamental design for a perfume bracelet, as shown and described.

(21) Appl. No.: **29/216,600**

(22) Filed: **Nov. 5, 2004**

DESCRIPTION

(51) **LOC (8) Cl.** **11-01**

FIG. 1 is a perspective view of the design of a perfume bracelet;

(52) **U.S. Cl.** **D11/15**

FIG. 2 is a front view of the design of a perfume bracelet;

(58) **Field of Classification Search** D11/1-30,

FIG. 3 is a back view of the design of a perfume bracelet;

D11/37-39; D2/633; 224/178; 63/3; D10/32

FIG. 4 is a top view of the design of a perfume bracelet;

See application file for complete search history.

FIG. 5 is a bottom view of the design of a perfume bracelet;

(56) **References Cited**

FIG. 6 is the first side view of the design of a perfume bracelet; and,

U.S. PATENT DOCUMENTS

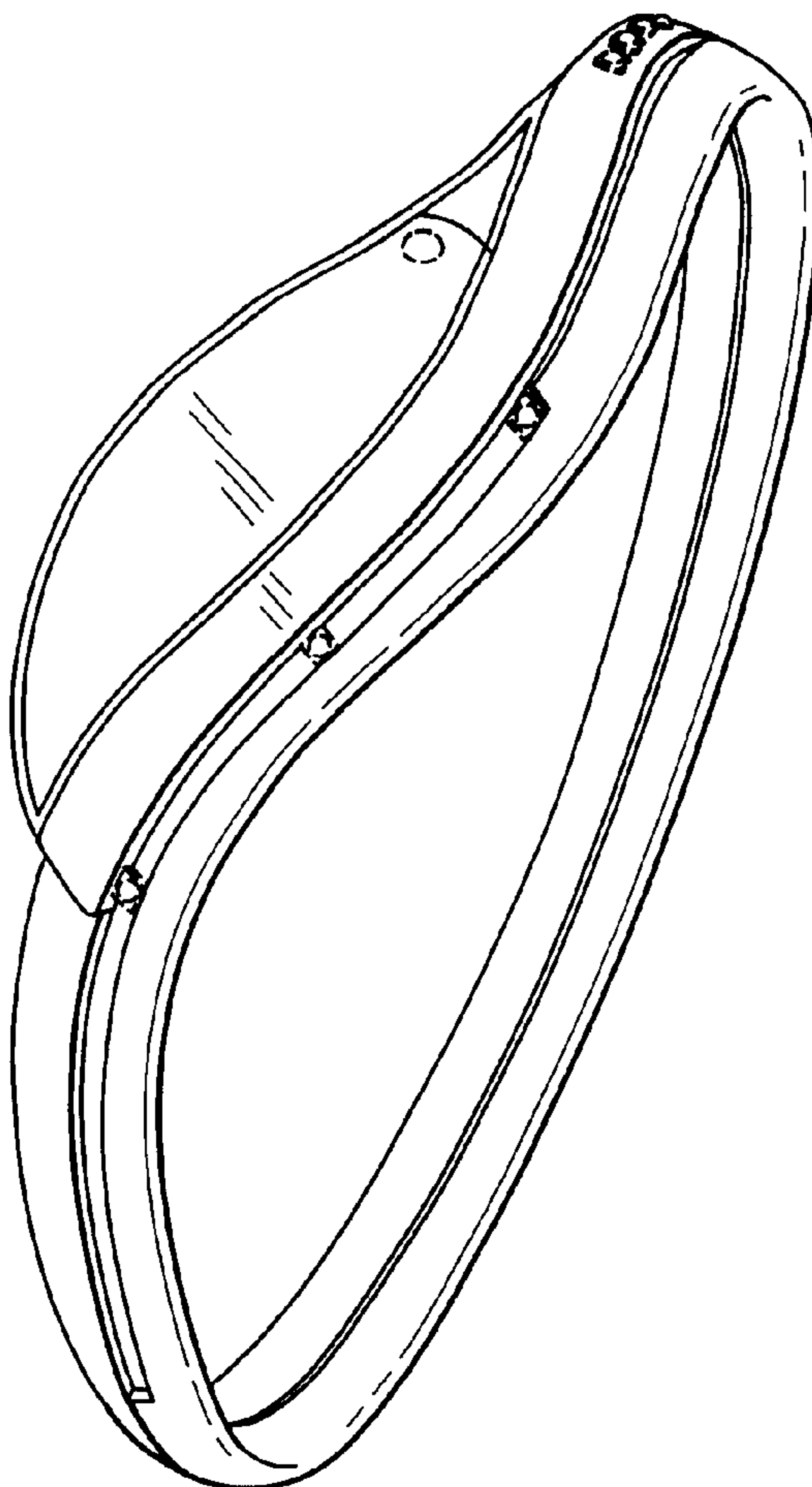
FIG. 7 is the opposite side view of the design of a perfume bracelet.

D373,096 S * 8/1996 Bergagnini D11/28

D443,222 S * 6/2001 Cabarbaye D11/26

D467,514 S * 12/2002 Charriol D11/3

1 Claim, 2 Drawing Sheets



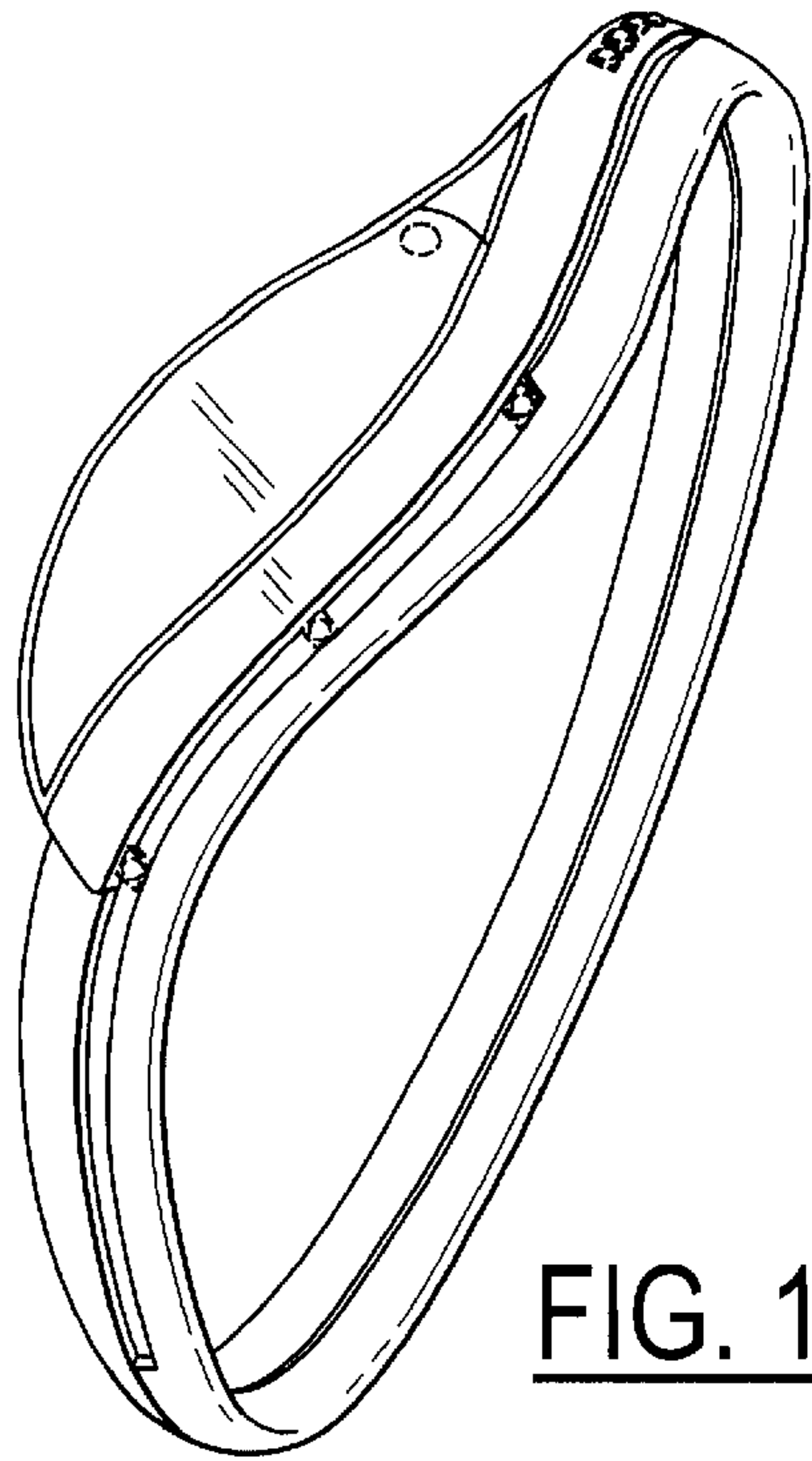


FIG. 1

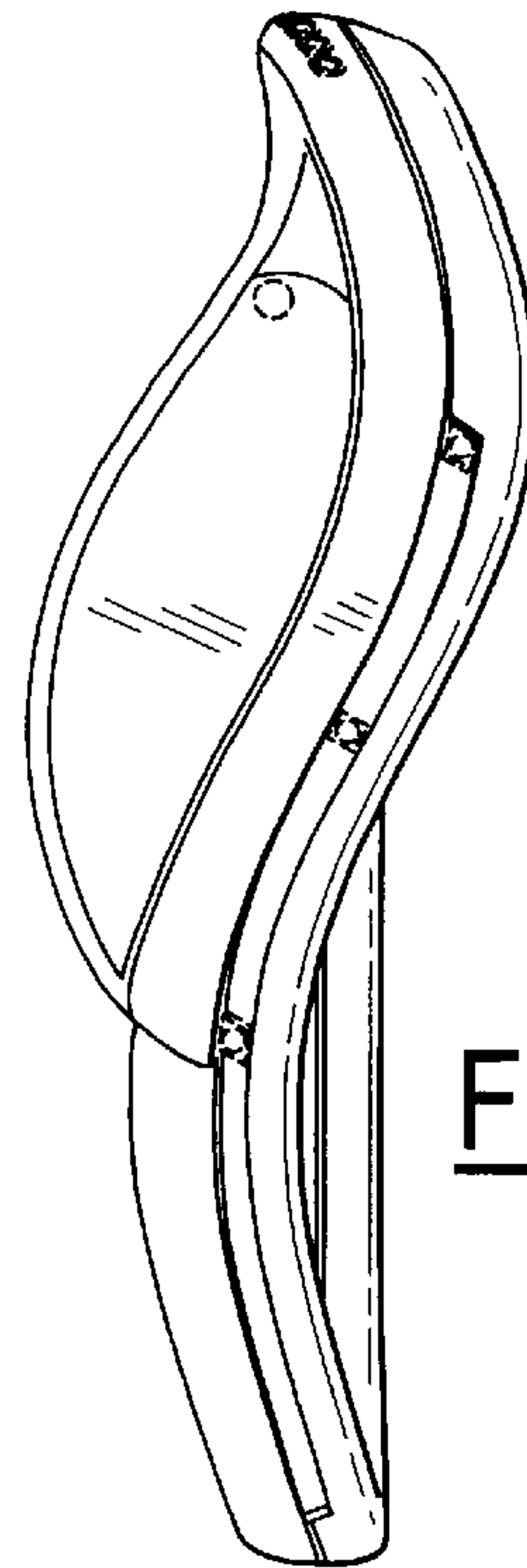


FIG. 2

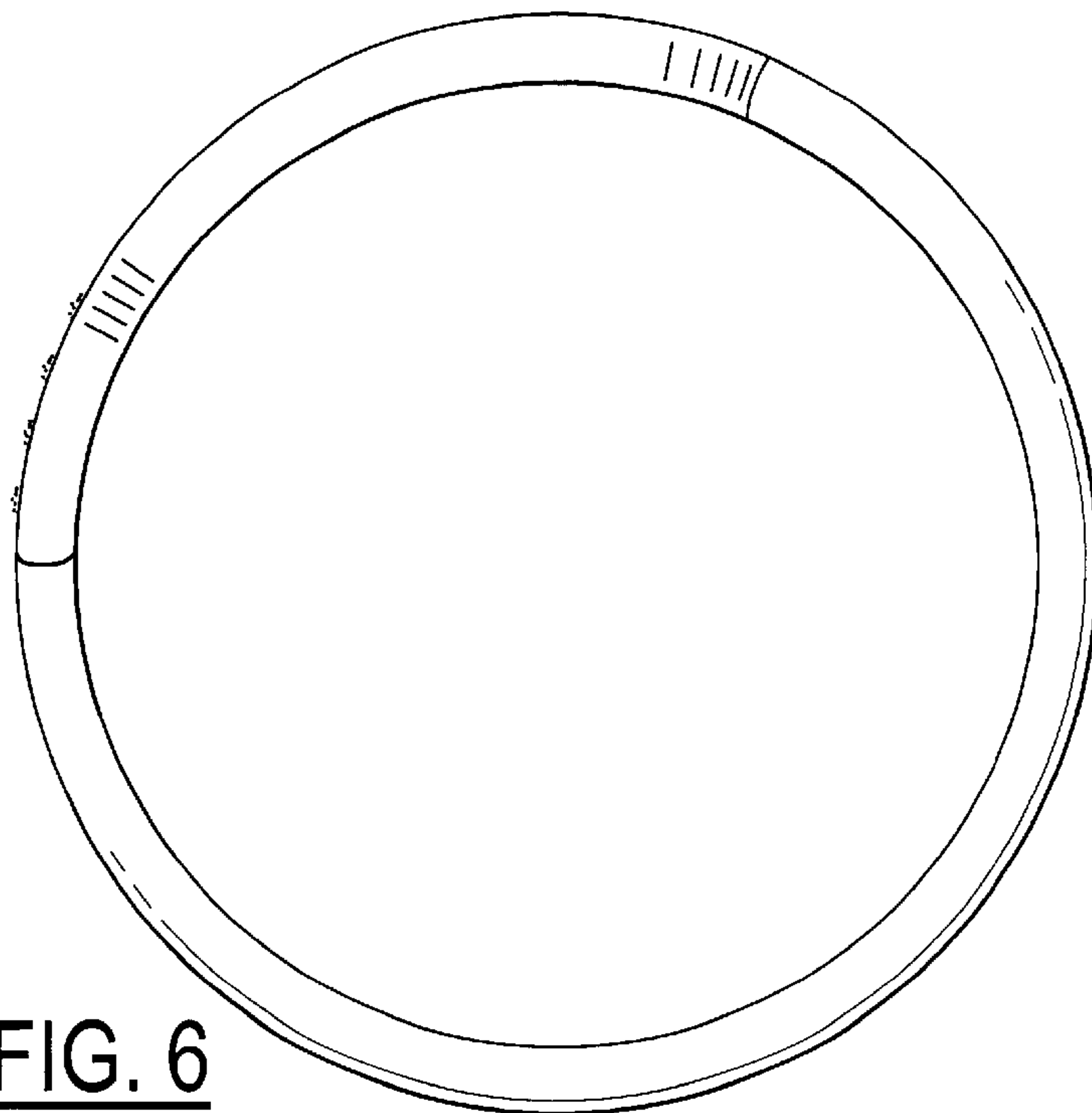


FIG. 6

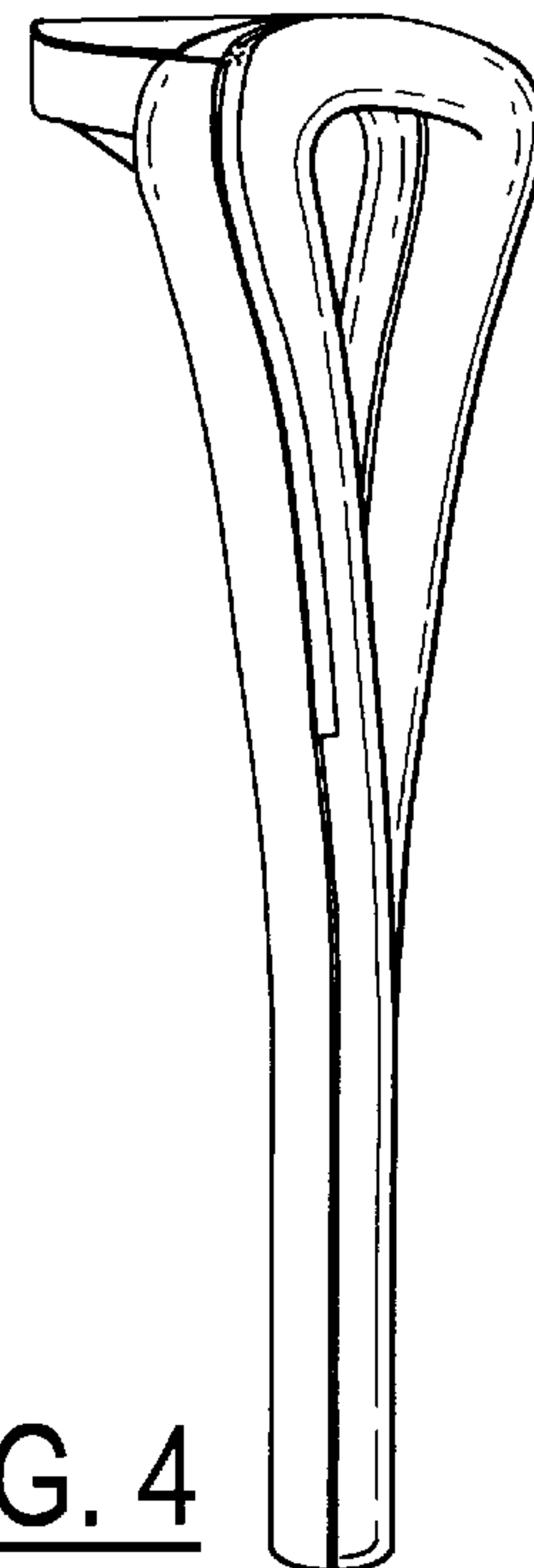


FIG. 4

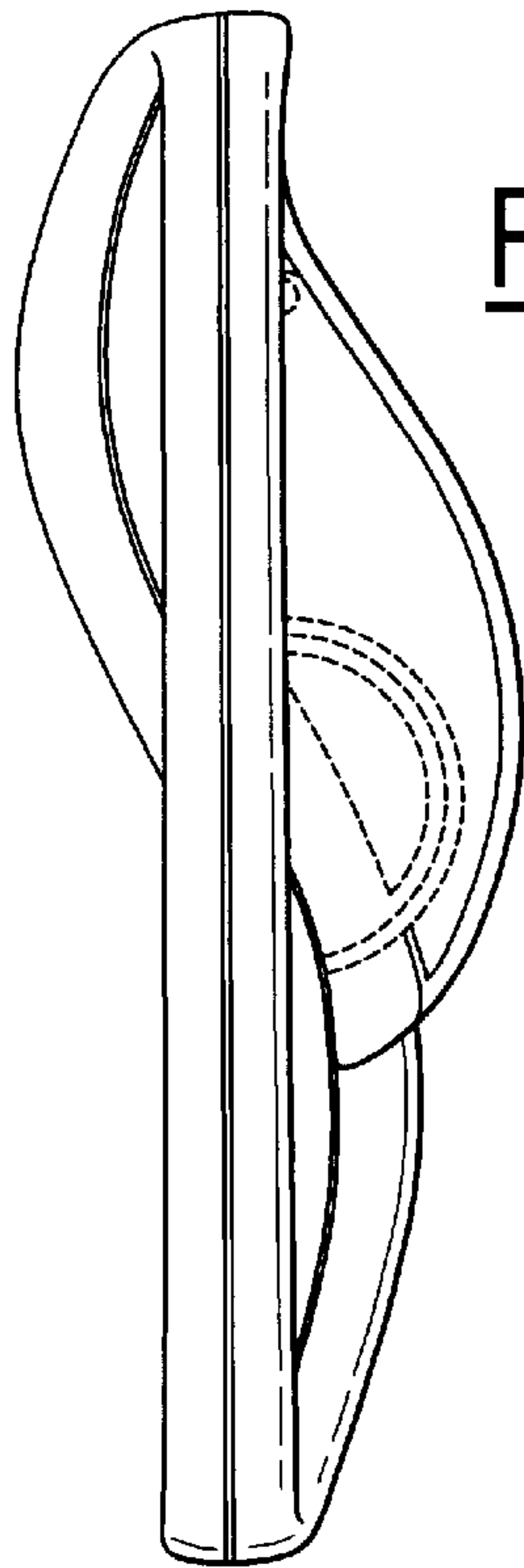


FIG. 3

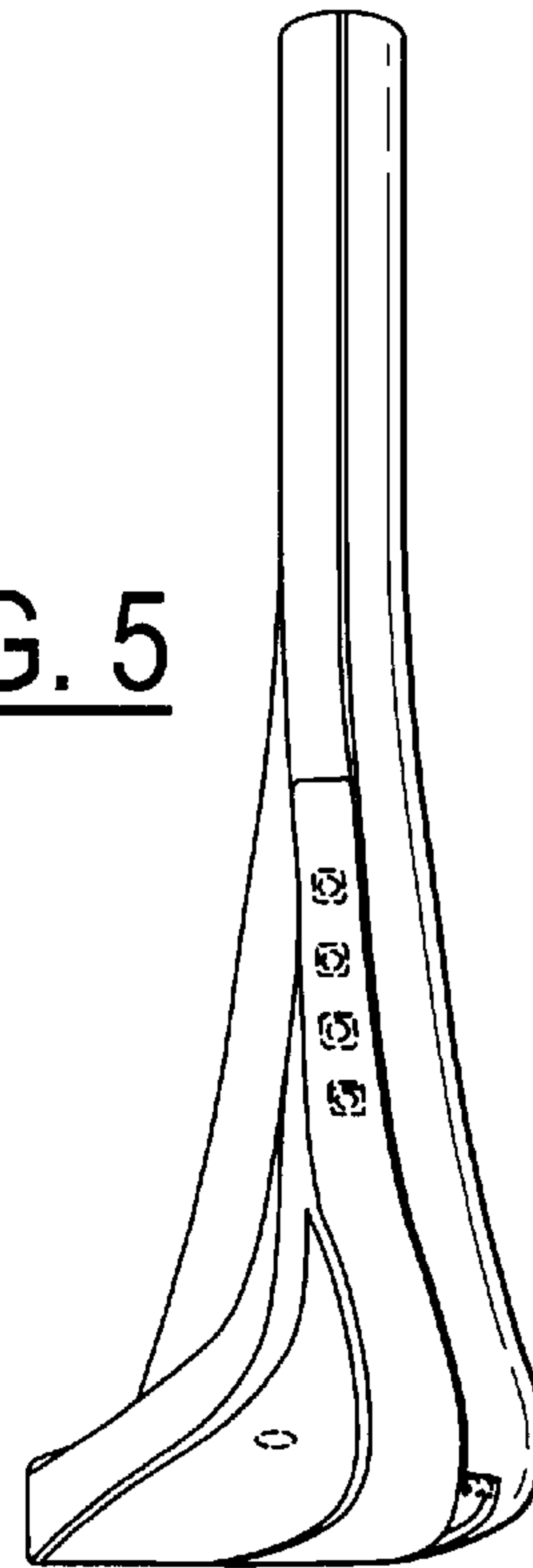


FIG. 5

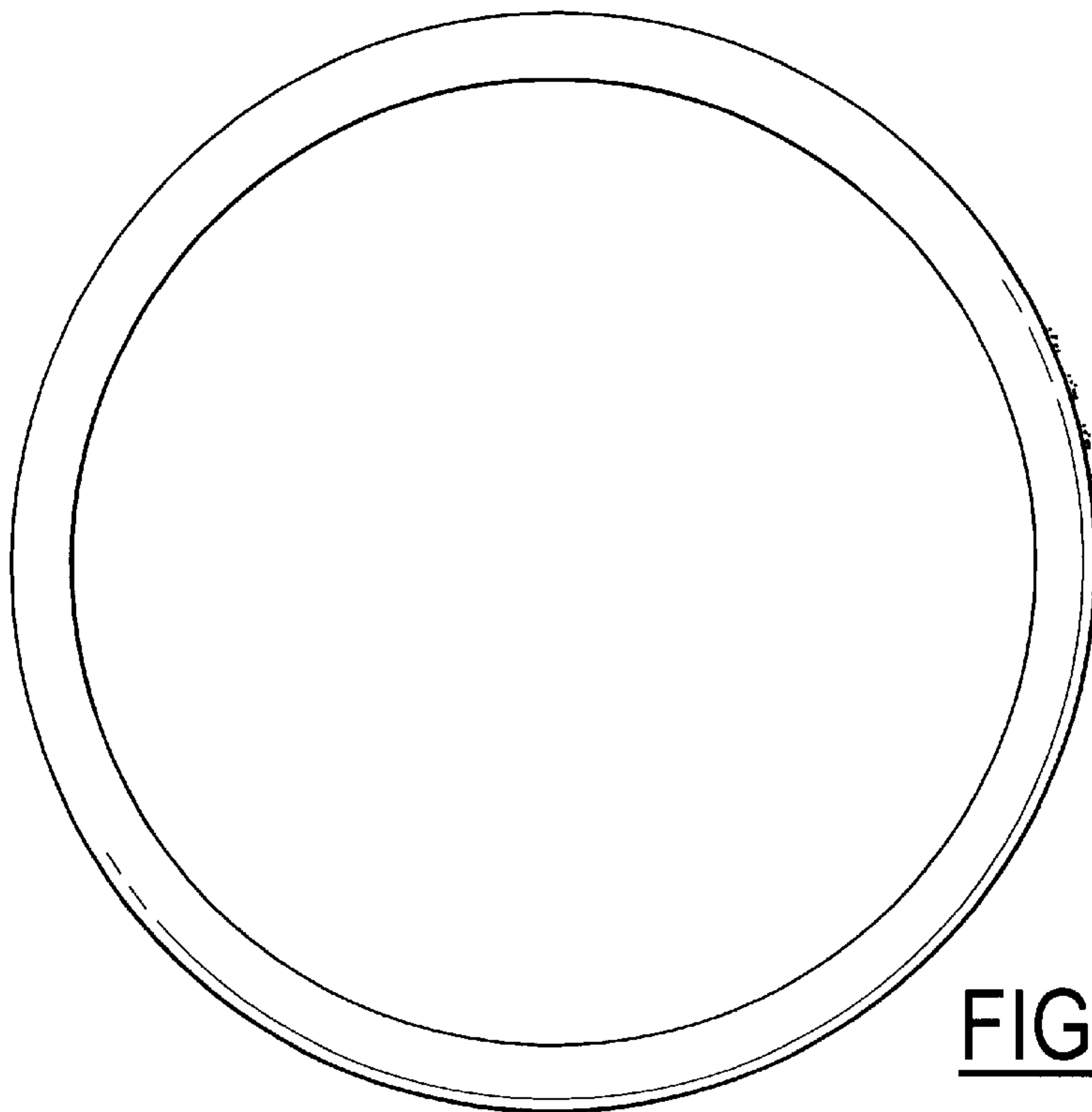


FIG. 7