

US00D521402S

(12) **United States Design Patent**
Kobayakawa et al.

(10) **Patent No.:** **US D521,402 S**

(45) **Date of Patent:** **** May 23, 2006**

(54) **BODY COMPOSITION METER**

(75) Inventors: **Tatsutoshi Kobayakawa**, Tokyo (JP);
Teruhisa Numata, Tokyo (JP)

(73) Assignee: **Tanita Corporation**, Tokyo (JP)

(**) Term: **14 Years**

(21) Appl. No.: **29/232,921**

(22) Filed: **Jun. 27, 2005**

(30) **Foreign Application Priority Data**

Apr. 25, 2005 (JP) 2005-012307

(51) **LOC (8) Cl.** **10-04**

(52) **U.S. Cl.** **D10/92**

(58) **Field of Classification Search** D10/92;
177/4, 25.12-25.16, 177, 199, 210 R, 238-245,
177/DIG. 3; 324/692; 600/506, 547
See application file for complete search history.

(56) **References Cited**

U.S. PATENT DOCUMENTS

D493,115 S * 7/2004 Juteau D10/92

* cited by examiner

Primary Examiner—Antoine D. Davis
(74) *Attorney, Agent, or Firm*—McDermott Will & Emery
LLP

(57) **CLAIM**

The ornamental design for a body composition meter, as shown and described.

DESCRIPTION

FIG. 1 is a perspective view from above of a body composition meter according to our novel design;
FIG. 2 is a front view of the body composition meter of FIG. 1;
FIG. 3 is a rear view of the body composition meter of FIG. 1;
FIG. 4 is a right side view of the body composition meter of FIG. 1;
FIG. 5 is a left side view of the body composition meter of FIG. 1;
FIG. 6 is a plan view of the body composition meter of FIG. 1;
FIG. 7 is a bottom view of the body composition meter of FIG. 1;
FIG. 8 is a perspective view from above of the body composition meter of FIG. 1 with a transparent section having a first degree of transparency being shaded;
FIG. 9 is a perspective view of the body composition meter of FIG. 1 with a transparent section having a second degree of transparency being shaded; and,
FIG. 10 is an enlarged plan view of the body composition meter of FIG. 1 with the display being switched on.
The broken lines in FIGS. 1, 6, 8, 9 and 10 showing a representative shape of the operating keys in the body composition meter, is for illustrative purposes only, and forms no part of the claimed design.

1 Claim, 5 Drawing Sheets

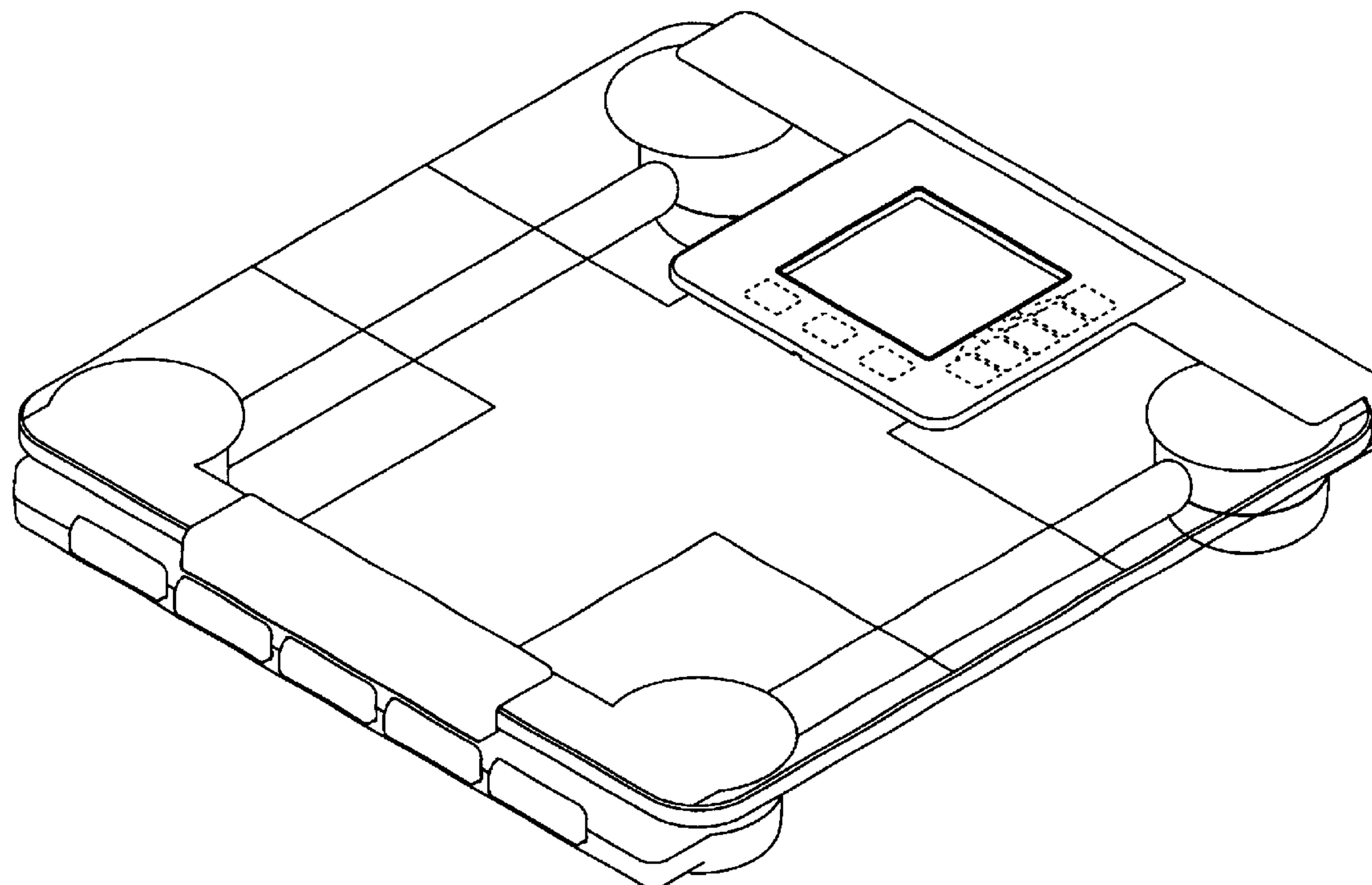


FIG. 1

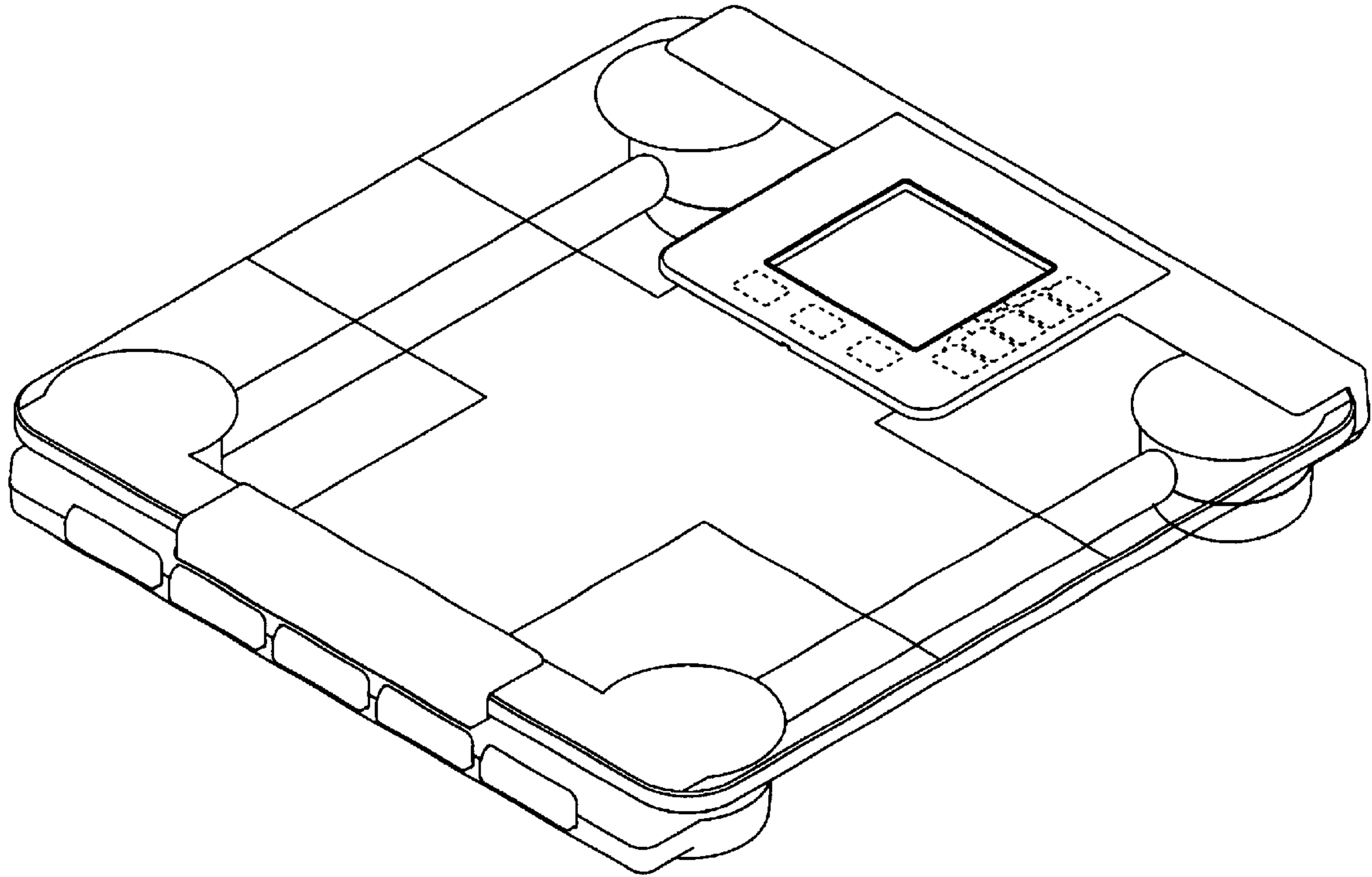


FIG. 2

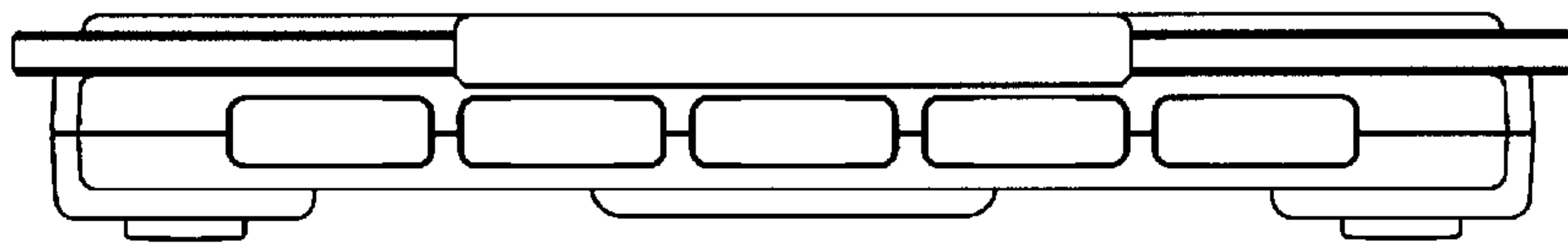


FIG. 3

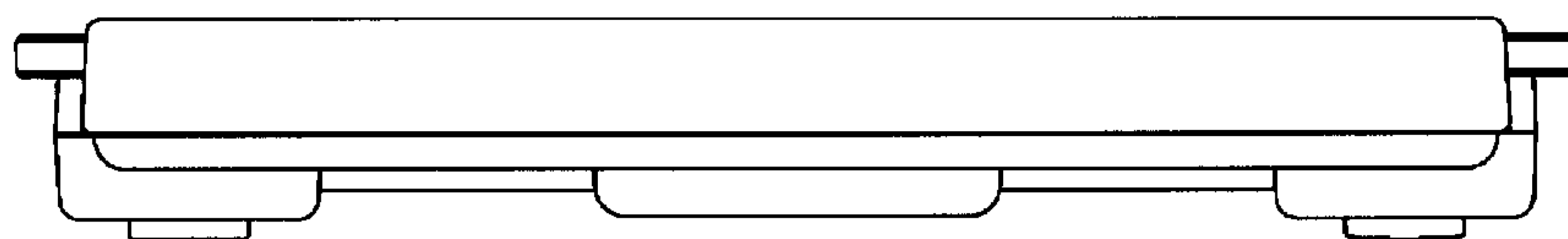


FIG. 4

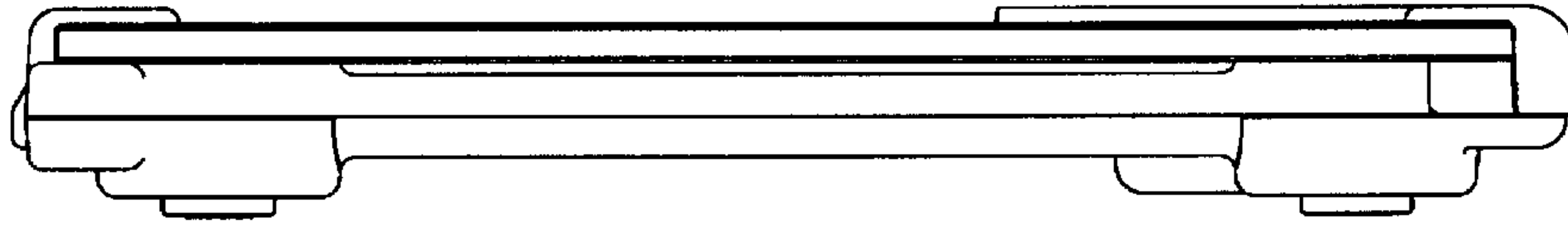


FIG. 5

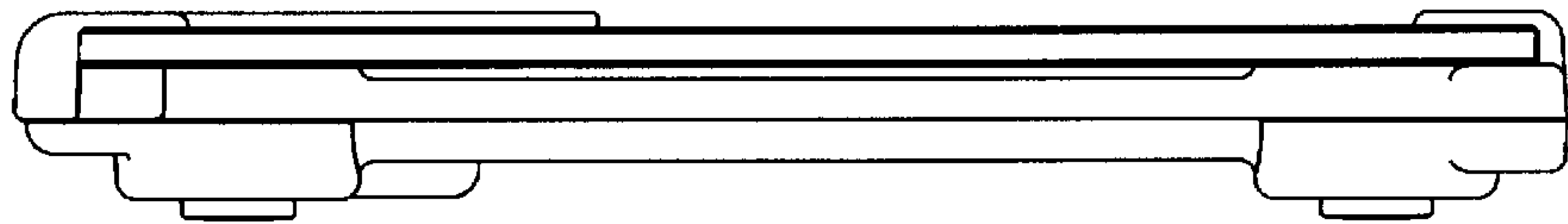


FIG. 6

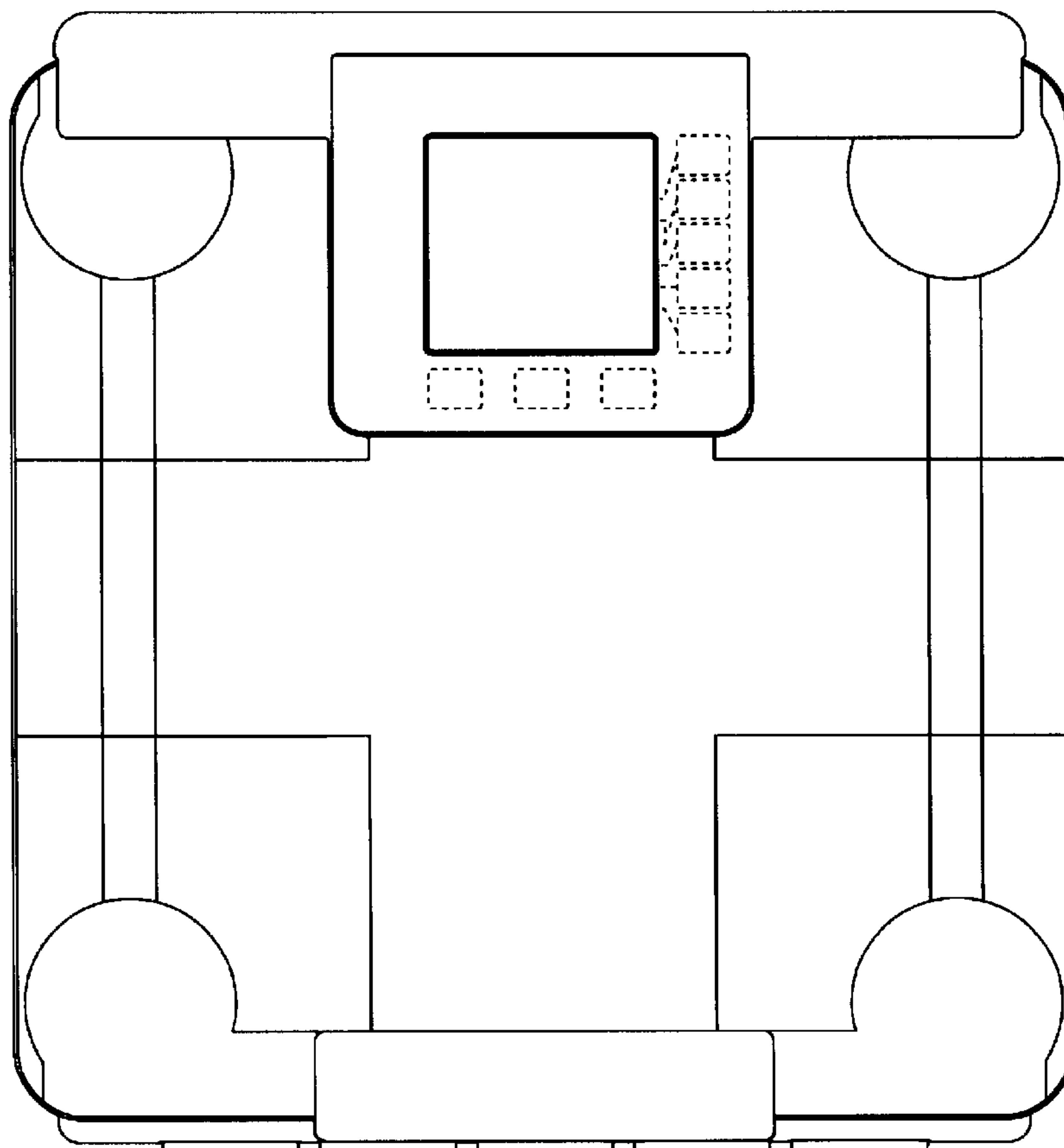


FIG. 7

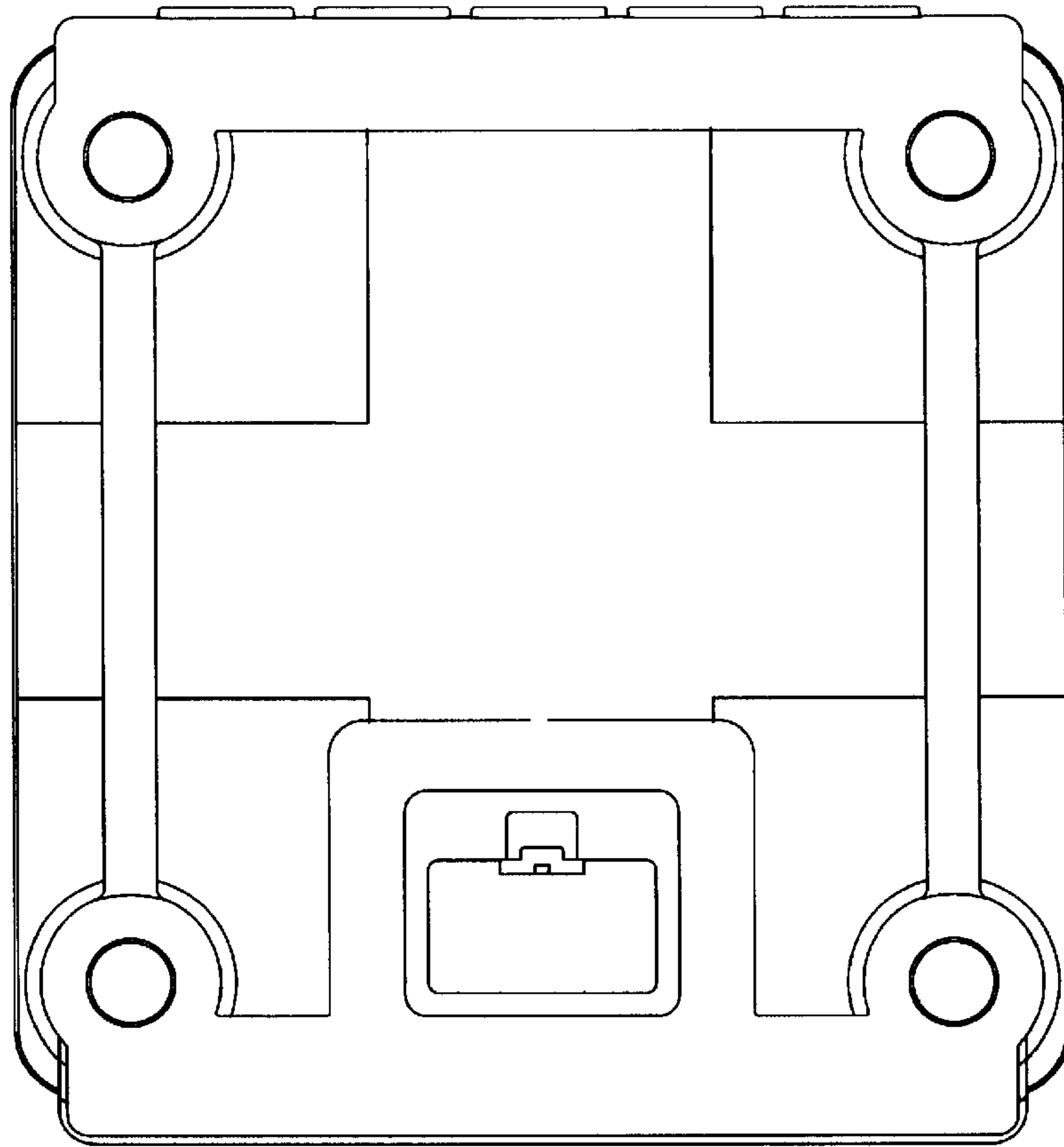


FIG. 8

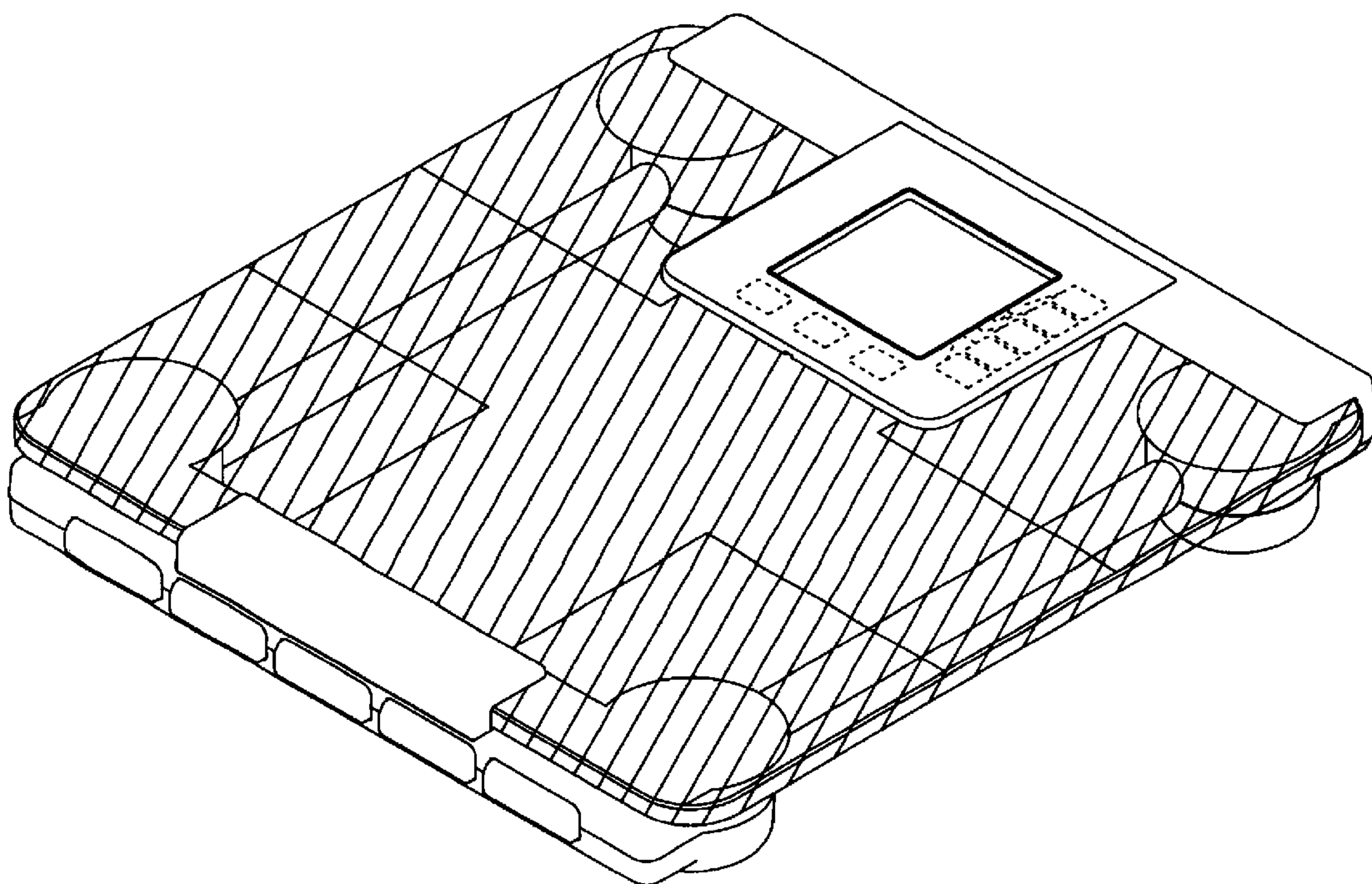


FIG. 9

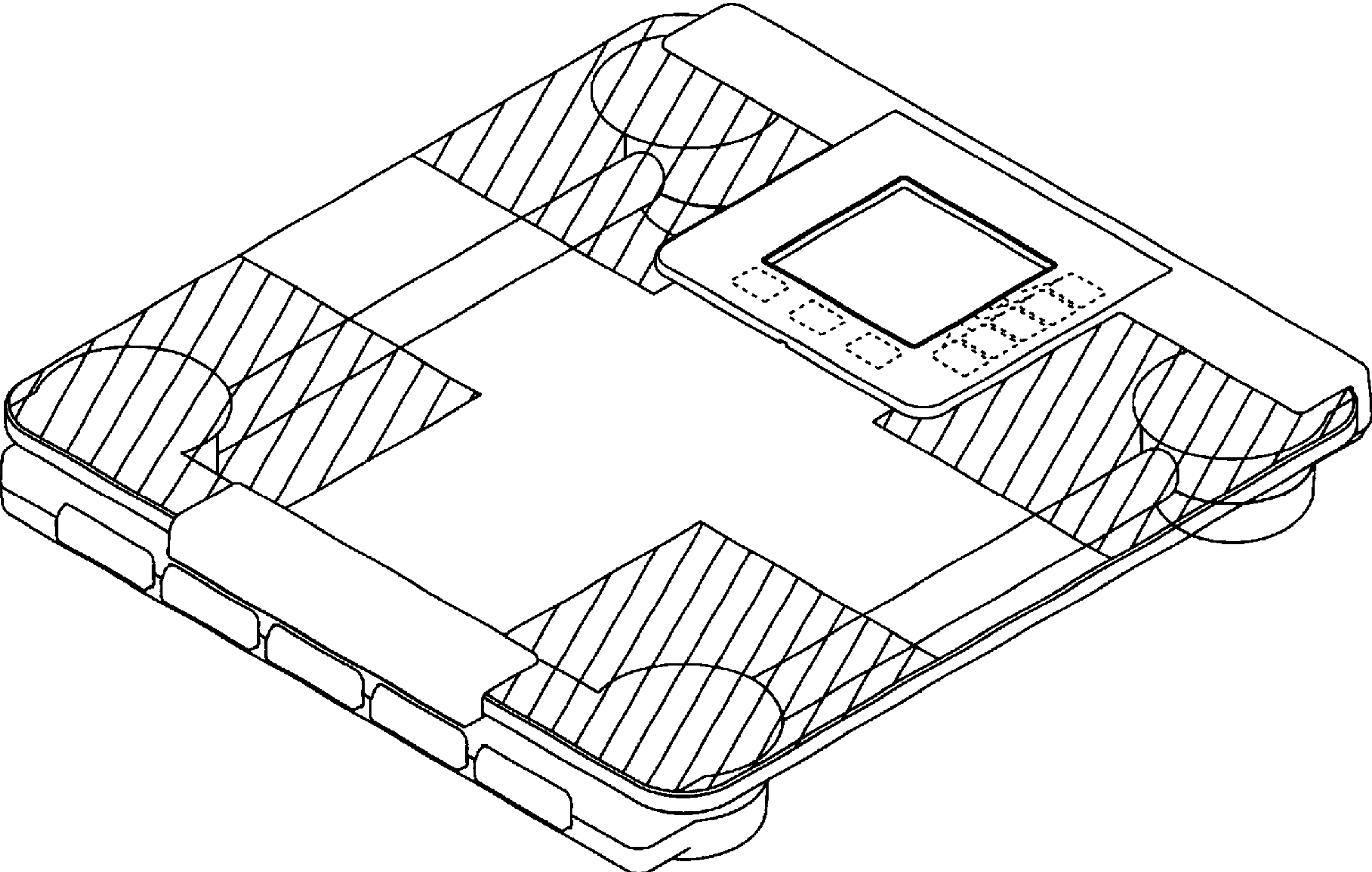


FIG. 10

