



US00D521400S

(12) **United States Design Patent**  
**Liu**

(10) **Patent No.:** **US D521,400 S**  
(45) **Date of Patent:** **\*\* May 23, 2006**

(54) **LASER LEVEL**

(75) Inventor: **Yi Liu**, Jiangsu (CN)

(73) Assignee: **Nanjing Chervon Industry Co., Ltd.**,  
Jiangsu (CN)

(\*\*) Term: **14 Years**

(21) Appl. No.: **29/228,825**

(22) Filed: **Apr. 29, 2005**

(30) **Foreign Application Priority Data**

Nov. 5, 2004 (CN) ..... 2004301018739

(51) **LOC (8) Cl.** ..... **10-04**

(52) **U.S. Cl.** ..... **D10/69**

(58) **Field of Classification Search** ..... D10/69;  
33/365, 366.11-366.27, 367-391

See application file for complete search history.

(56) **References Cited**

**U.S. PATENT DOCUMENTS**

D498,687 S \* 11/2004 Lopano ..... D10/69  
6,848,188 B1 \* 2/2005 Tacklind et al. .... 33/391  
D504,831 S \* 5/2005 Snider ..... D10/69

D509,157 S \* 9/2005 Wu ..... D10/69  
D509,180 S \* 9/2005 Murray et al. .... D10/69  
D509,453 S \* 9/2005 Lopano ..... D10/69

\* cited by examiner

*Primary Examiner*—Antoine D. Davis

(74) *Attorney, Agent, or Firm*—Lowe Hauptman & Berner,  
LLP

(57) **CLAIM**

The ornamental design for a laser level, as shown and described.

**DESCRIPTION**

FIG. 1 is a front elevational view of a laser level in accordance with the design;

FIG. 2 is a back elevational view of the laser level in FIG. 1;

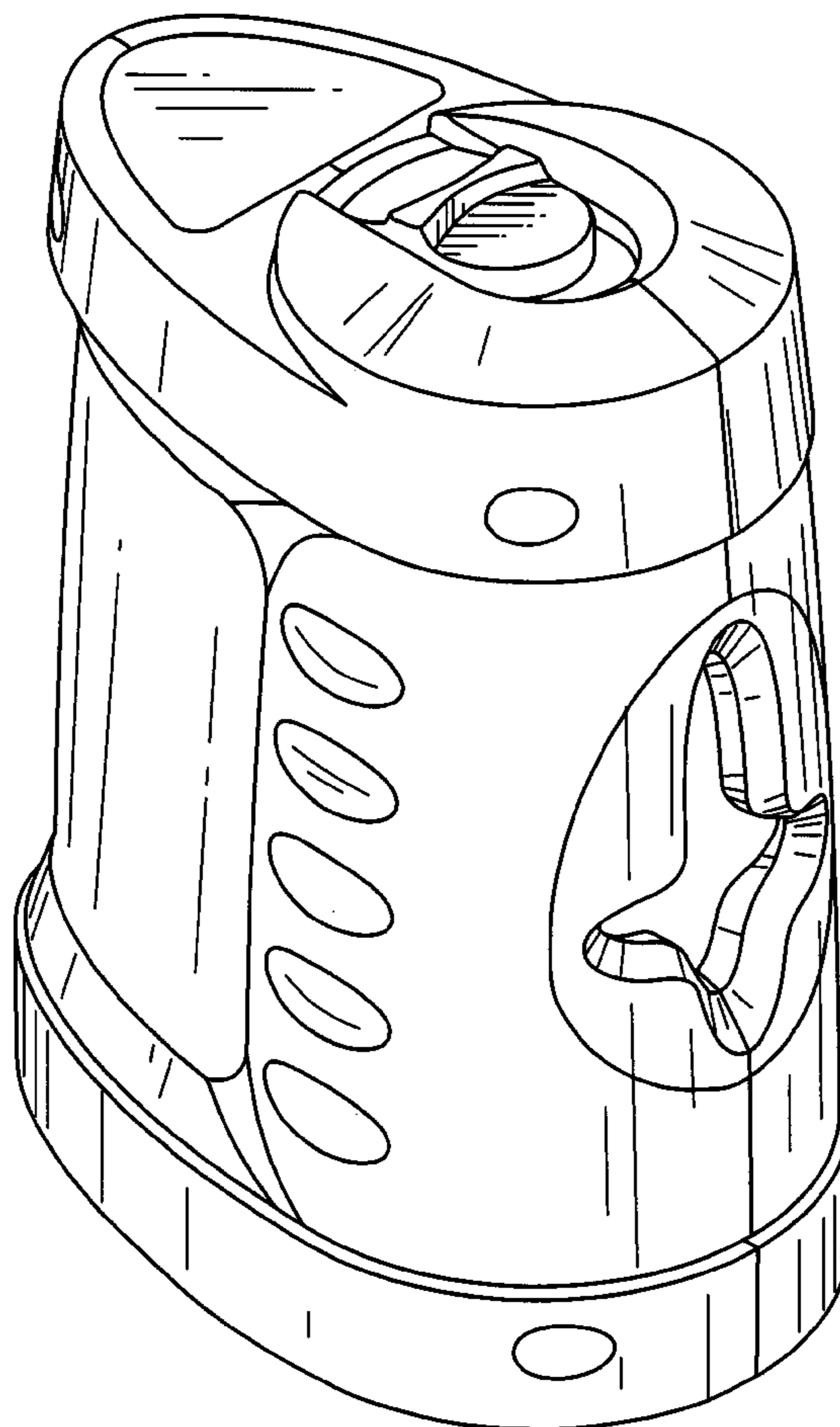
FIG. 3 is a left side elevational view of the laser level in FIG. 1;

FIG. 4 is a right side elevational view of the laser level in FIG. 1;

FIG. 5 is a top plan view of the laser level in FIG. 1;

FIG. 6 is a bottom plan view of the laser level in FIG. 1; and, FIG. 7 is a perspective view of the laser level in FIG. 1.

**1 Claim, 7 Drawing Sheets**



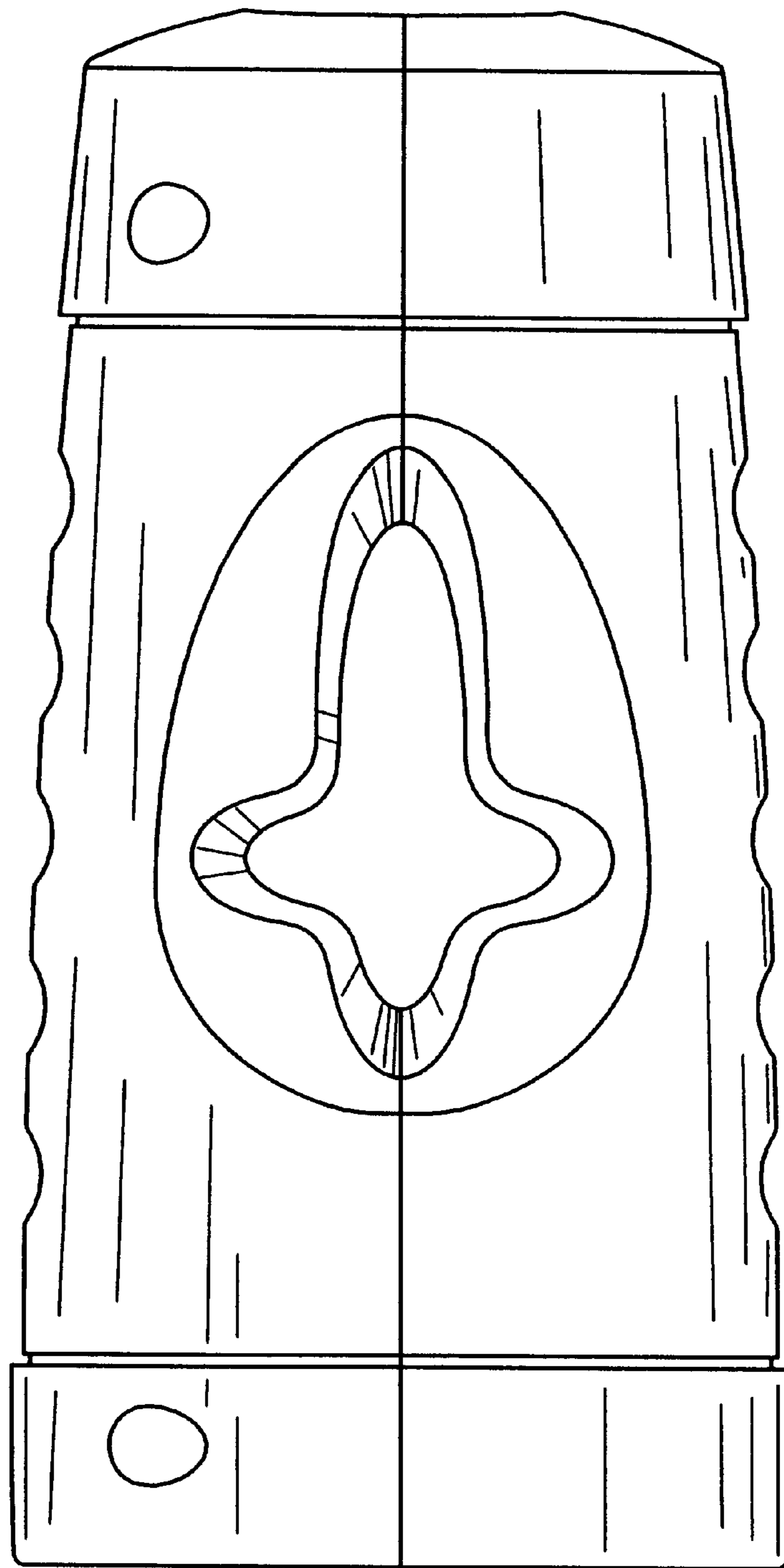


FIG. 1

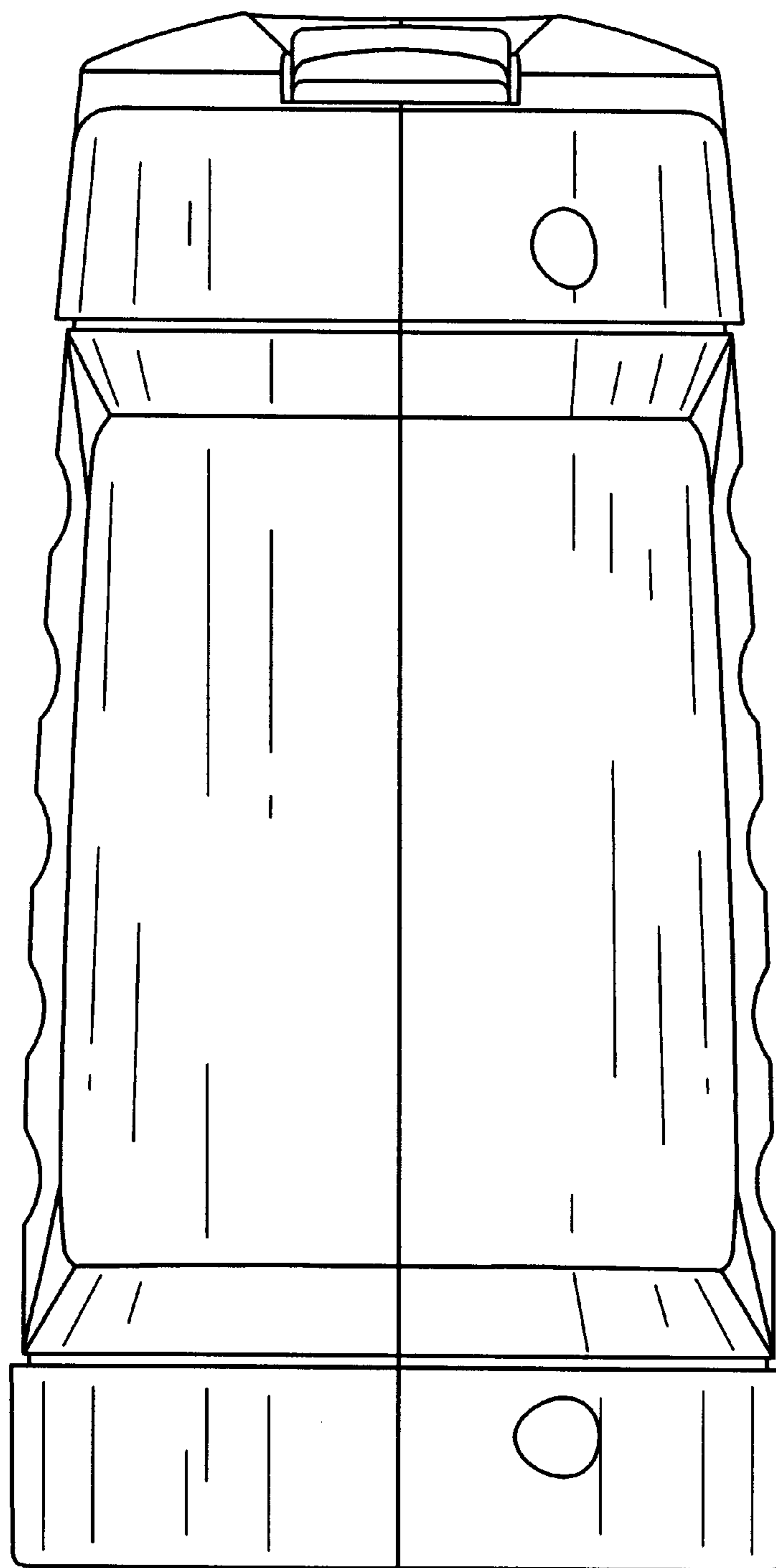


FIG. 2

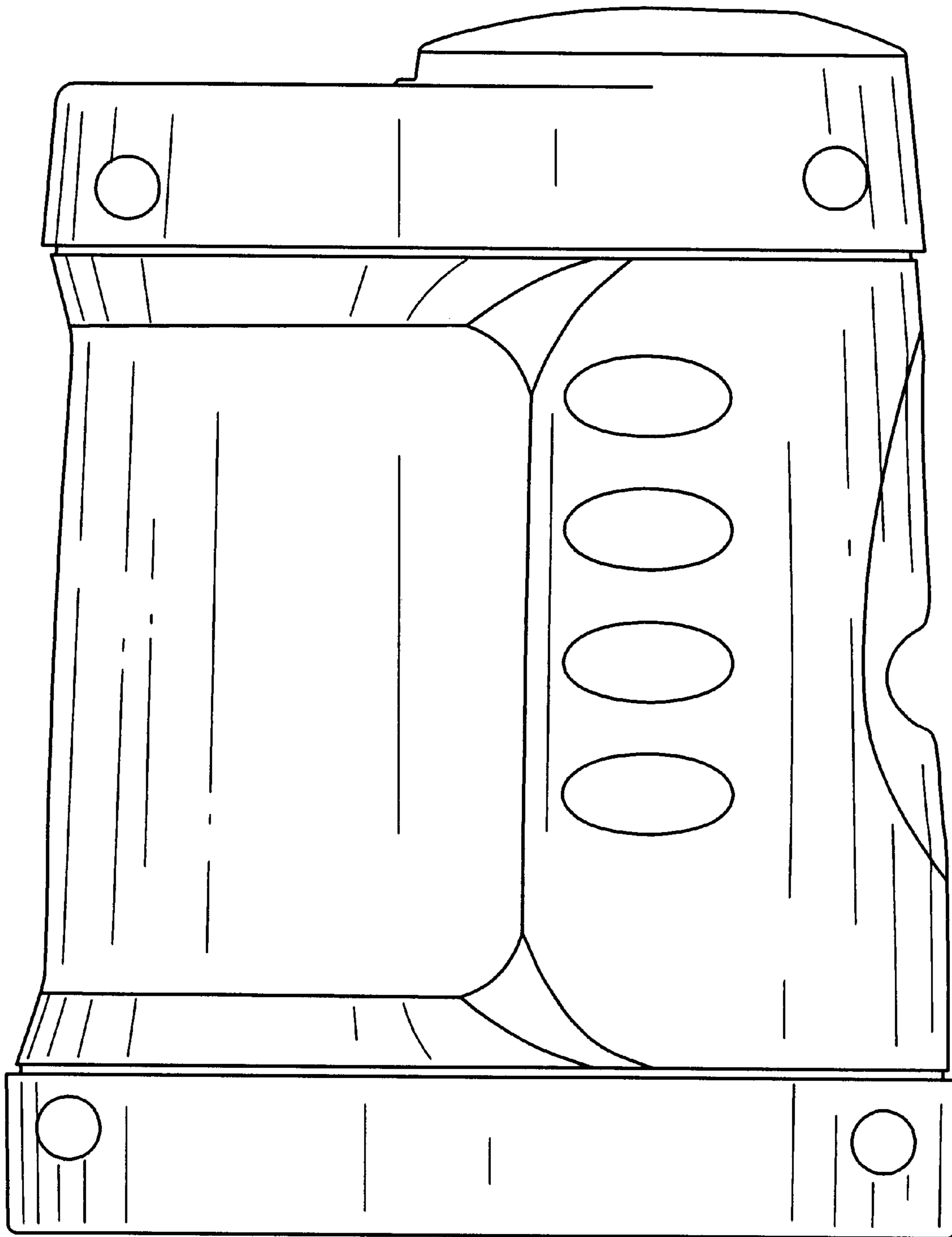


FIG. 3

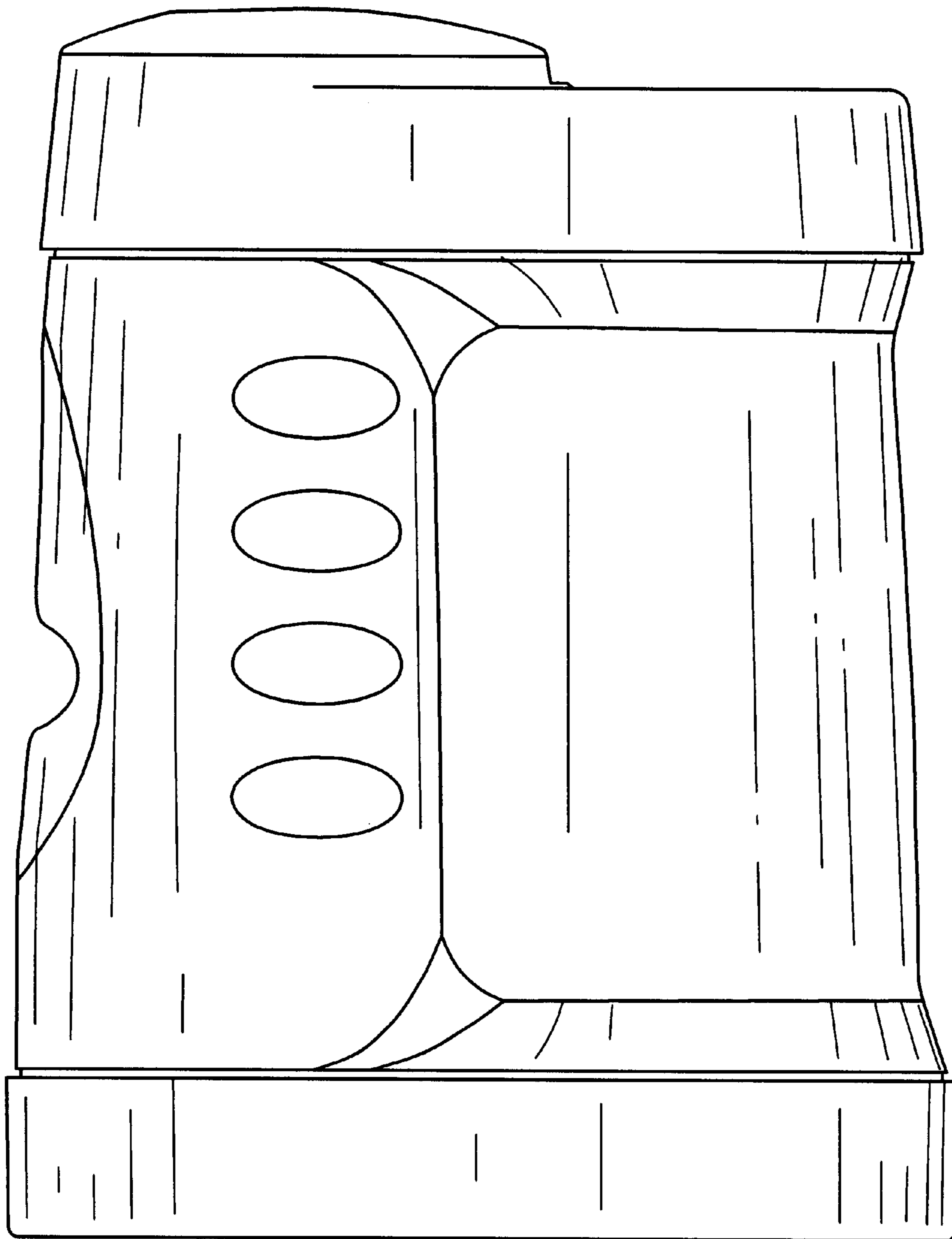


FIG. 4

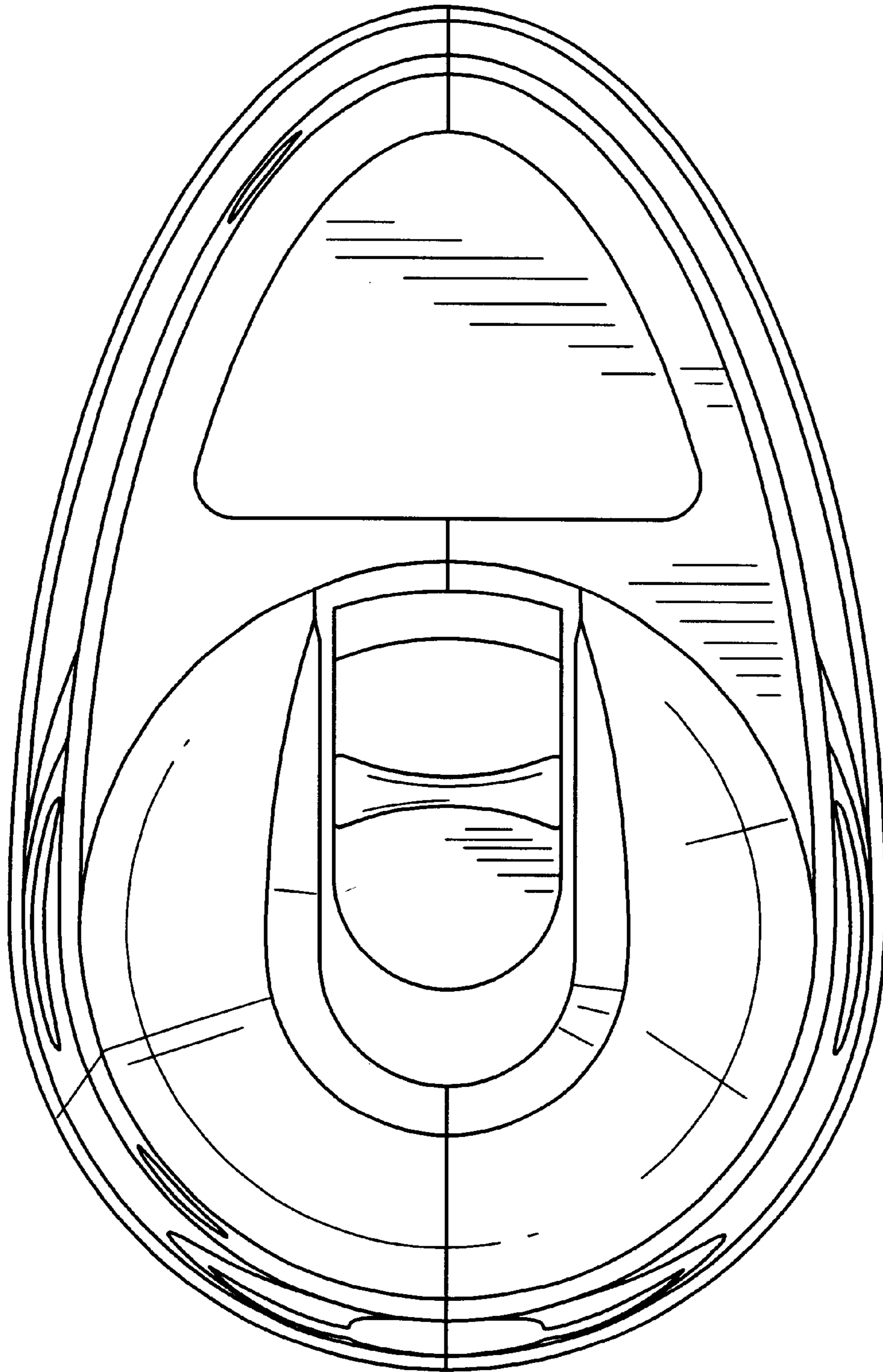


FIG. 5

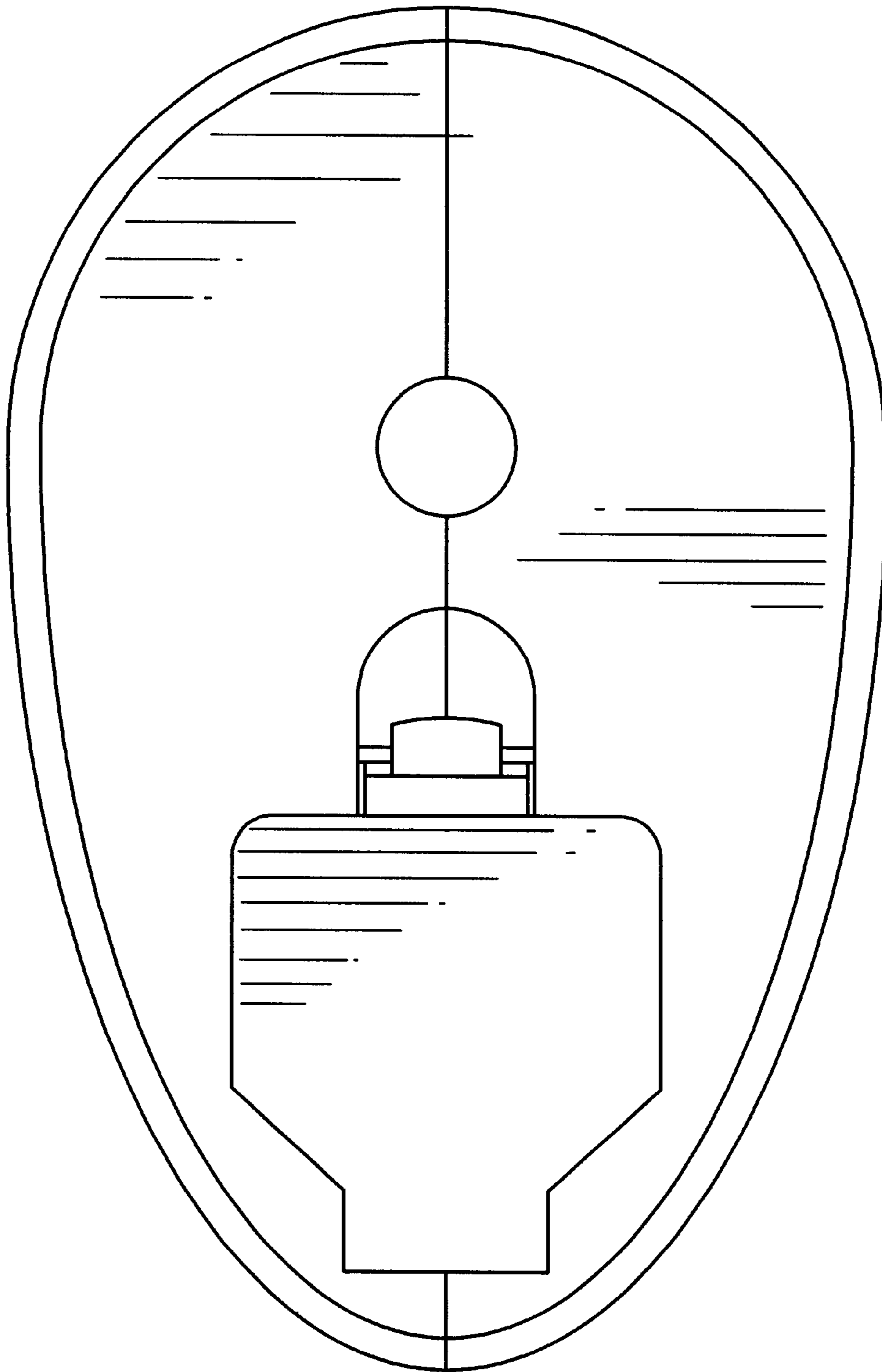


FIG. 6



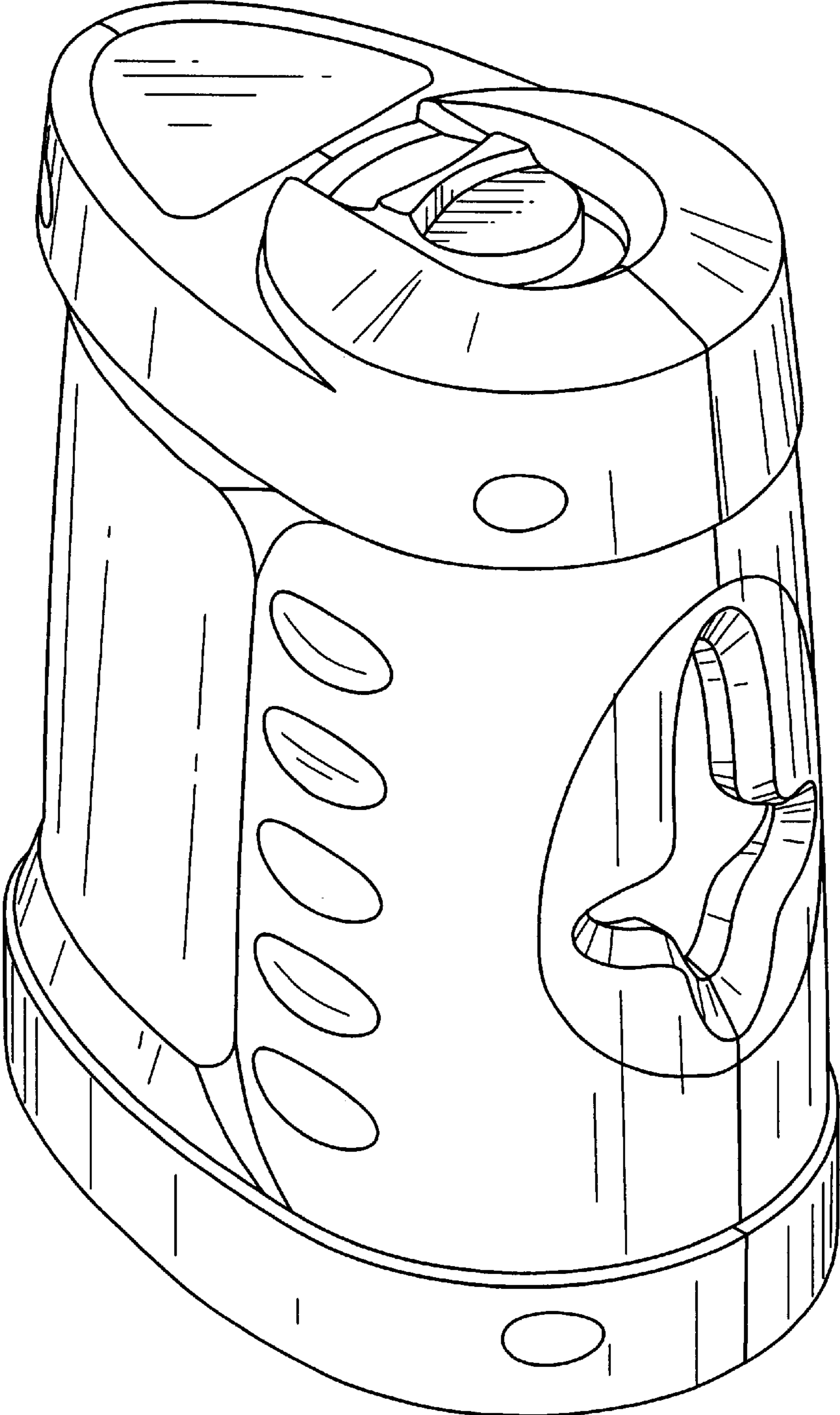


FIG. 7