

US00D521394S

(12) **United States Design Patent**  
**Tang**

(10) **Patent No.:** **US D521,394 S**

(45) **Date of Patent:** **\*\* May 23, 2006**

(54) **WATCH CASE**

(75) Inventor: **Zhe Yi Tang**, Hunan Province (CN)

(73) Assignee: **New Heritage Limited**, Hung Hon Kln (HK)

(\*\*) Term: **14 Years**

(21) Appl. No.: **29/215,642**

(22) Filed: **Oct. 20, 2004**

(51) **LOC (8) Cl.** ..... **10-02**

(52) **U.S. Cl.** ..... **D10/30; D10/38**

(58) **Field of Classification Search** ..... D10/30-39,  
D10/122-132; 368/281, 282, 82-84, 28-30,  
368/239-242, 276, 277, 278, 232, 285, 223,  
368/228, 238, 294-295, 21, 283, 80, 110,  
368/113

See application file for complete search history.

(56) **References Cited**

**U.S. PATENT DOCUMENTS**

3,503,203	A	*	3/1970	Gruner et al.	.....	368/21
5,220,541	A	*	6/1993	Vuilleumier	.....	368/113
D350,288	S	*	9/1994	Giardiello	.....	D10/30
D373,957	S	*	9/1996	Mareschal	.....	D10/30
D378,498	S	*	3/1997	Wettstein	.....	D10/39

D380,161	S	*	6/1997	Riley	.....	D10/30
D389,070	S	*	1/1998	Galli	.....	D10/30
D447,063	S	*	8/2001	Scheufele	.....	D10/30
D508,416	S	*	8/2005	Tang	.....	D10/30
D508,418	S	*	8/2005	Kraft	.....	D10/38
D508,859	S	*	8/2005	Ho	.....	D10/30

\* cited by examiner

*Primary Examiner*—Lucy Lieberman

(74) *Attorney, Agent, or Firm*—Thomas I. Rozsa; Tony D. Chen

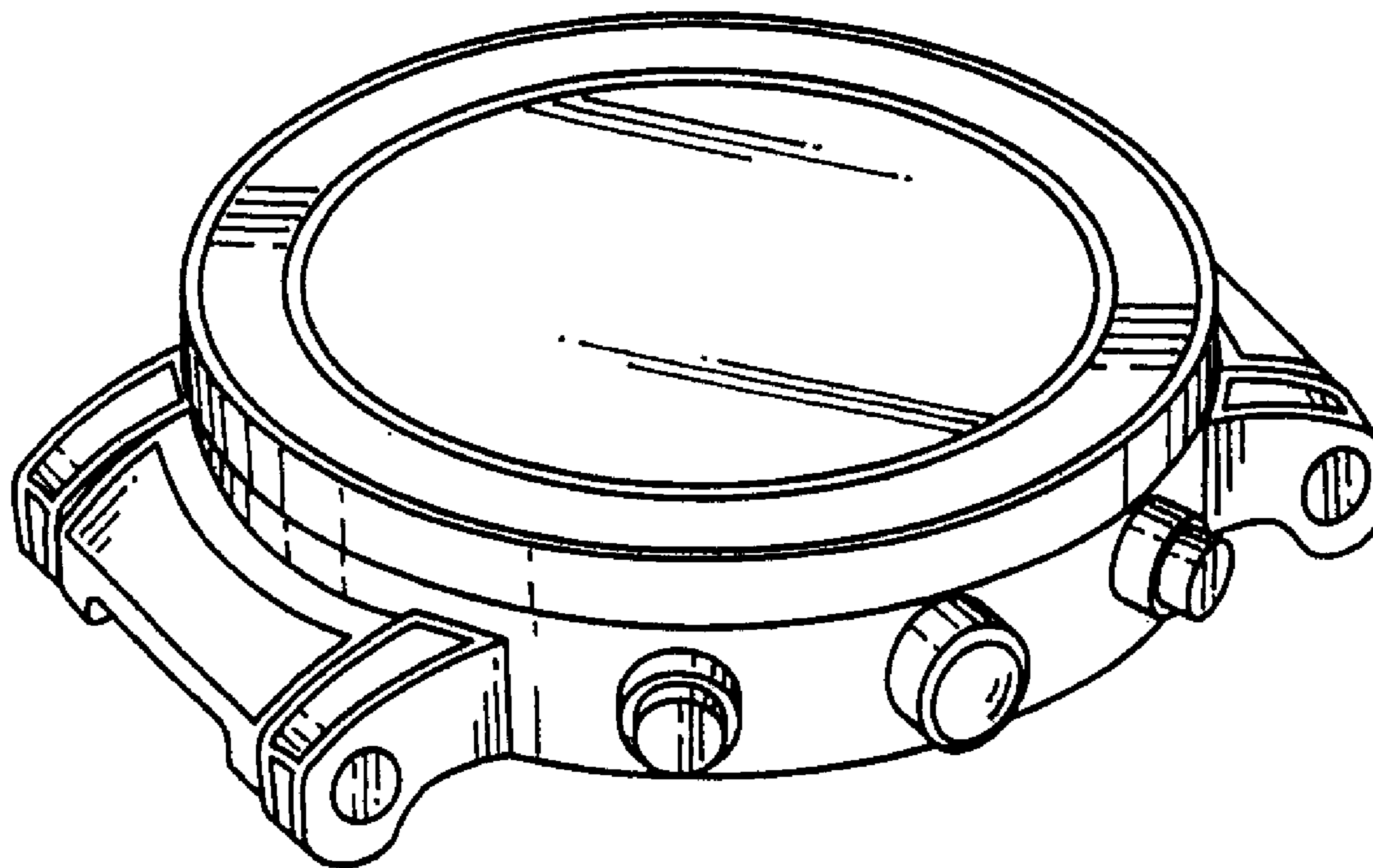
(57) **CLAIM**

The ornamental design for a watch case, as shown and described.

**DESCRIPTION**

FIG. 1 is a perspective view of a watch case, showing my new design;  
 FIG. 2 is a front elevation thereof;  
 FIG. 3 is a rear elevation thereof;  
 FIG. 4 is a side elevational view when viewed from the right side;  
 FIG. 5 is a side elevational view when viewed from the left side;  
 FIG. 6 is a top view thereof; and,  
 FIG. 7 is a bottom view thereof.

**1 Claim, 2 Drawing Sheets**



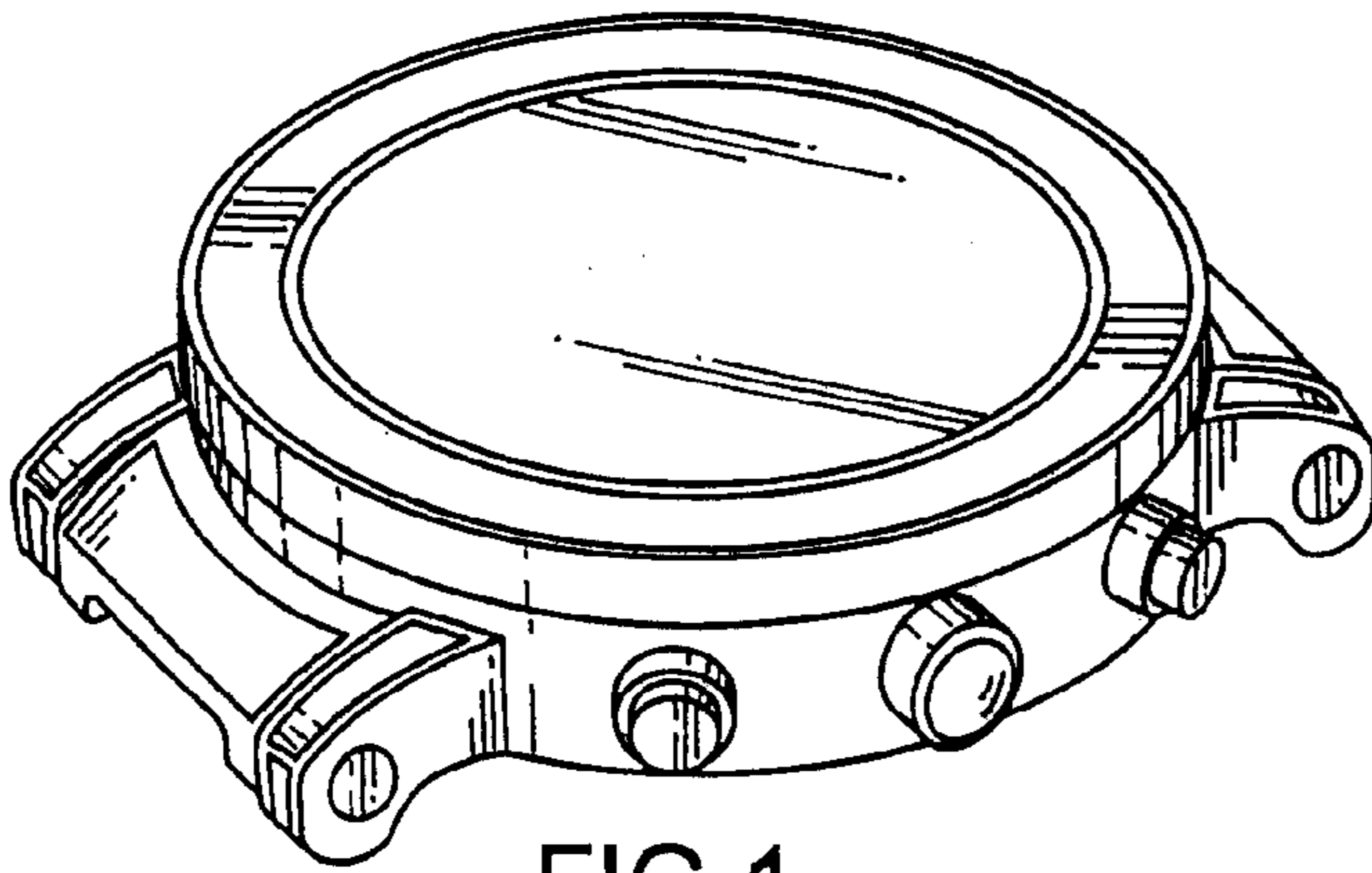


FIG.1

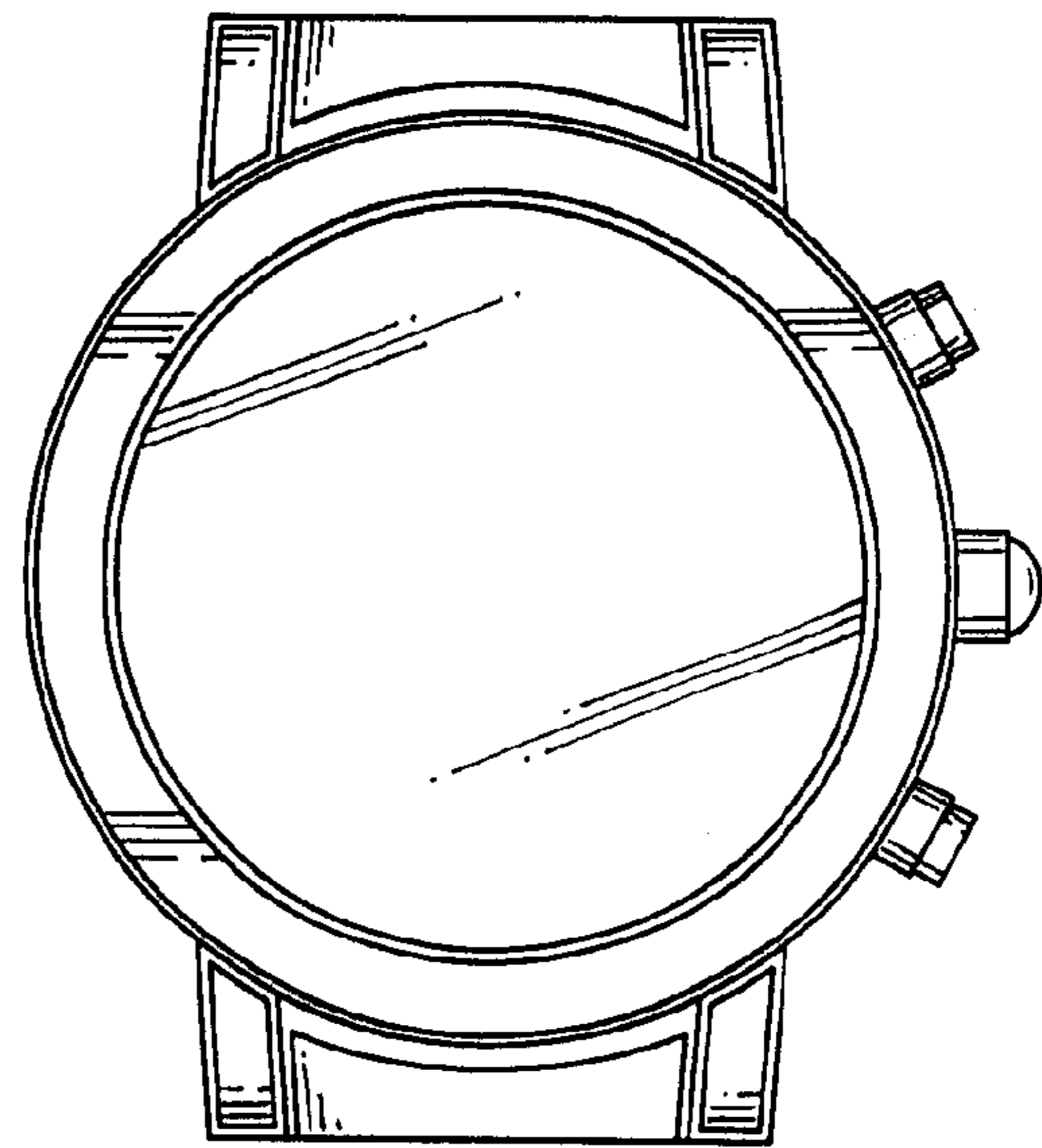


FIG.2

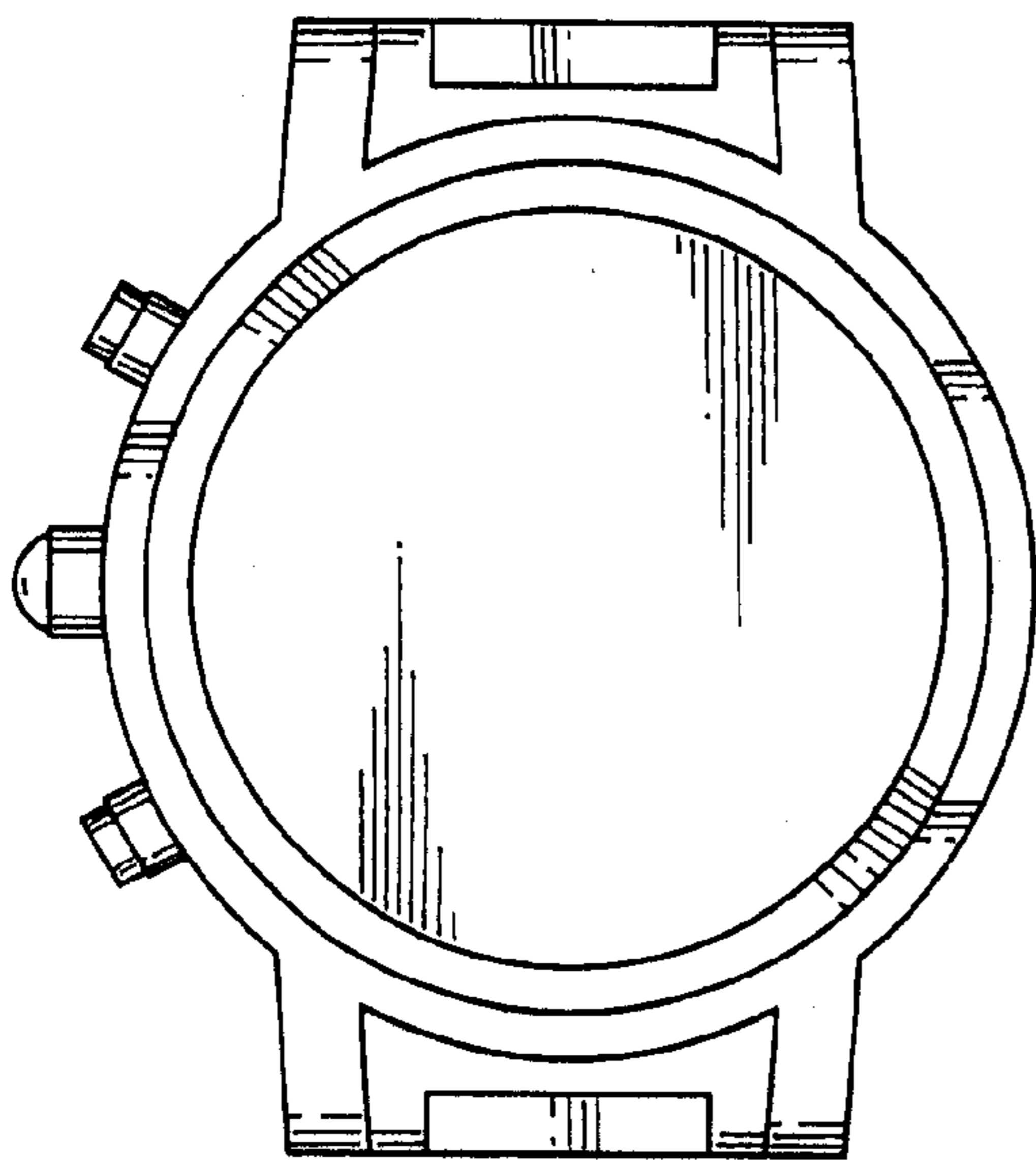


FIG.3

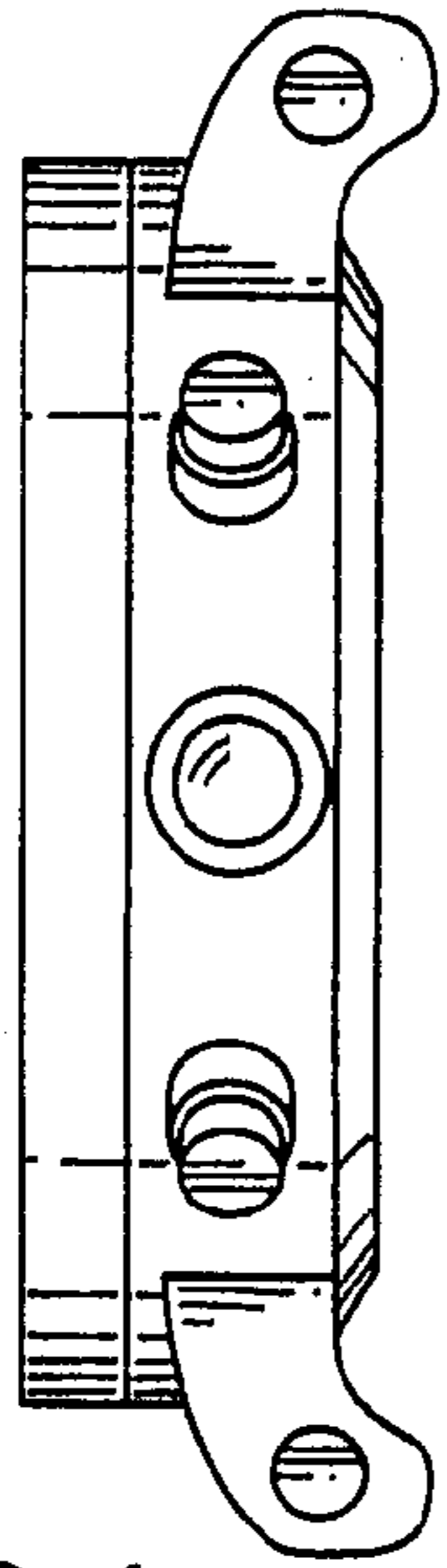


FIG. 4

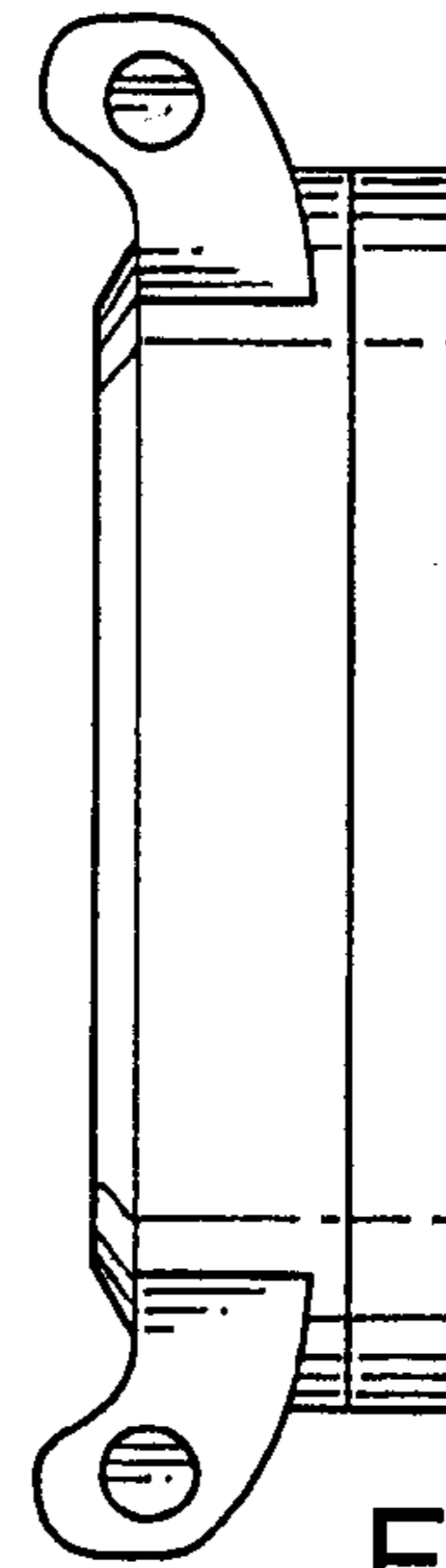


FIG. 5

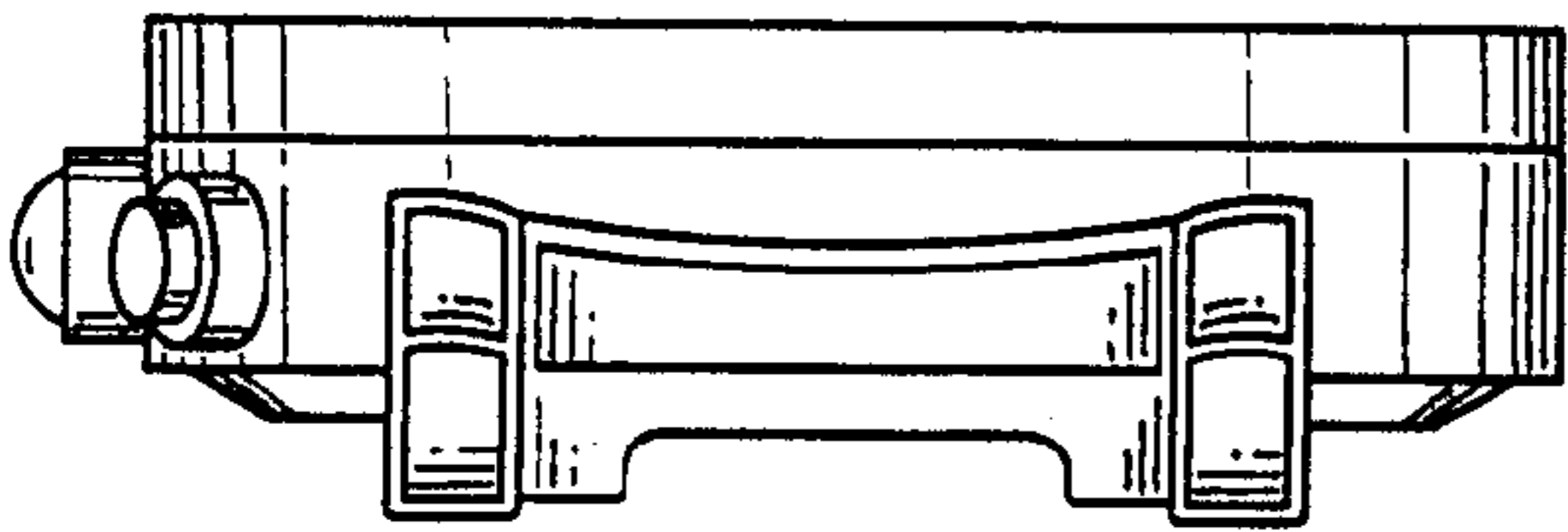


FIG. 6

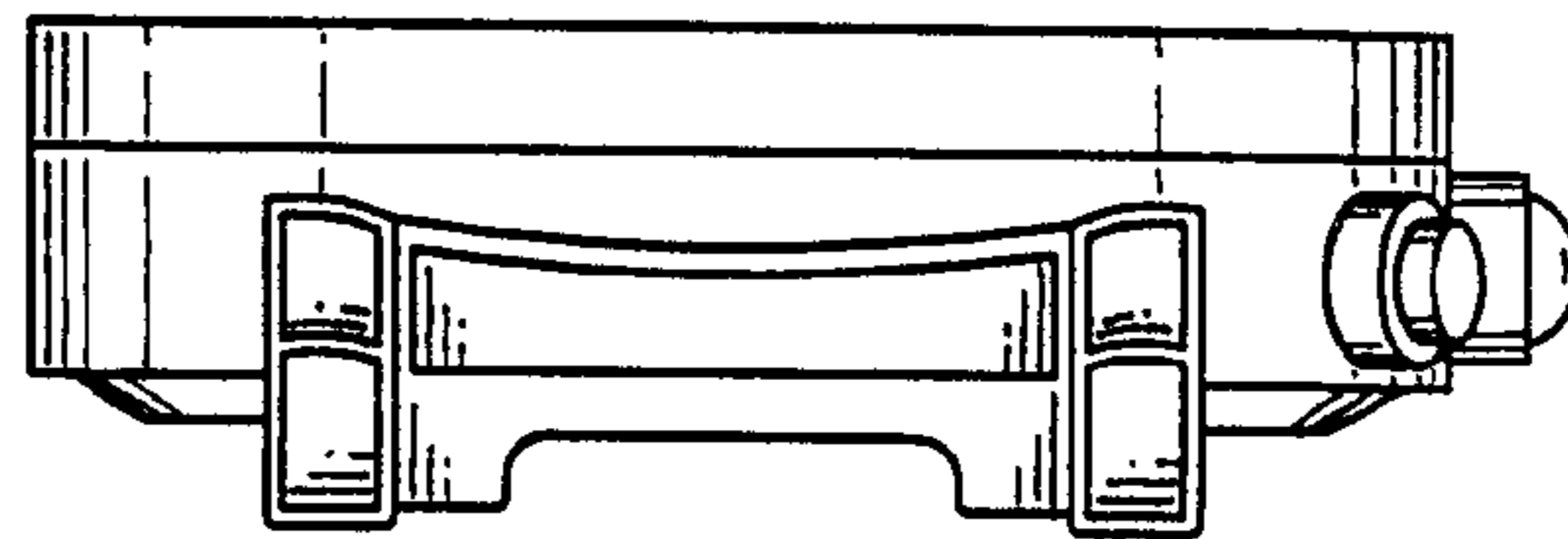


FIG. 7