



US00D521387S

(12) **United States Design Patent**
Little et al.

(10) **Patent No.:** **US D521,387 S**

(45) **Date of Patent:** **** May 23, 2006**

(54) **PLASTIC CONTAINER**

(75) Inventors: **J. Steven Little**, Wadsworth, OH (US);
Christopher E. Kaminski, North
Royalton, OH (US)

(73) Assignee: **Plastipak Packaging, Inc.**, Plymouth,
MI (US)

(**) Term: **14 Years**

(21) Appl. No.: **29/232,074**

(22) Filed: **Jun. 14, 2005**

(51) **LOC (8) Cl.** **09-01**

(52) **U.S. Cl.** **D9/530; D9/528; D9/531**

(58) **Field of Classification Search** D9/516,
D9/523, 524, 528-530, 535, 537, 540, 543,
D9/545, 549, 556, 559, 569, 575; 215/1 A,
215/1 C, 1 R, 14, 40, 242, 316, 382-386,
215/396-400; 220/771, 890, 465.1, 566,
220/572, 575; 206/527, 822

See application file for complete search history.

(56) **References Cited**

U.S. PATENT DOCUMENTS

D318,228 S * 7/1991 Schlesselman D9/531
6,059,153 A * 5/2000 Olson et al. 222/465.1

D428,817 S * 8/2000 Olson et al. D9/531
D470,056 S * 2/2003 Schlueter D9/531
D480,311 S * 10/2003 Barrett D9/531
D484,059 S * 12/2003 Romeo et al. D9/531
D499,339 S 12/2004 Reynolds

* cited by examiner

Primary Examiner—Nanda Bondade

Assistant Examiner—Shanda C. Hill

(74) *Attorney, Agent, or Firm*—Robert H. Bachman

(57) **CLAIM**

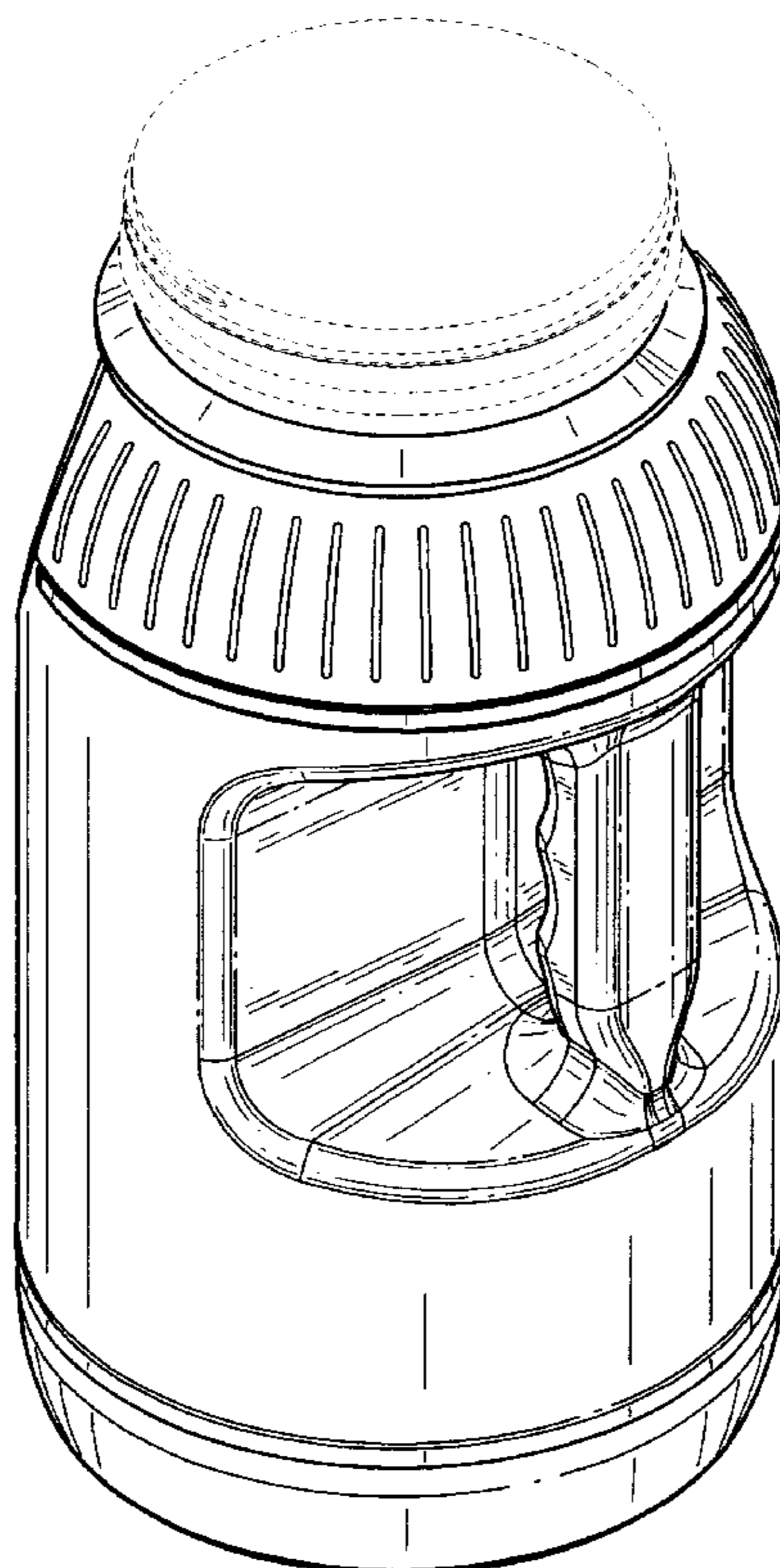
The ornamental design for a plastic container, as shown and described.

DESCRIPTION

FIG. 1 is a perspective view of the container showing our new design and showing the top, front and left side thereof; FIG. 2 is a left side elevation view thereof; FIG. 3 is a front elevation view thereof; FIG. 4 is a rear elevation view thereof; FIG. 5 is a bottom plan view thereof; and, FIG. 6 is a top plan view thereof.

The broken lines shown in the drawing disclosure are for illustrative purposes only and form no part of the claimed design.

1 Claim, 3 Drawing Sheets



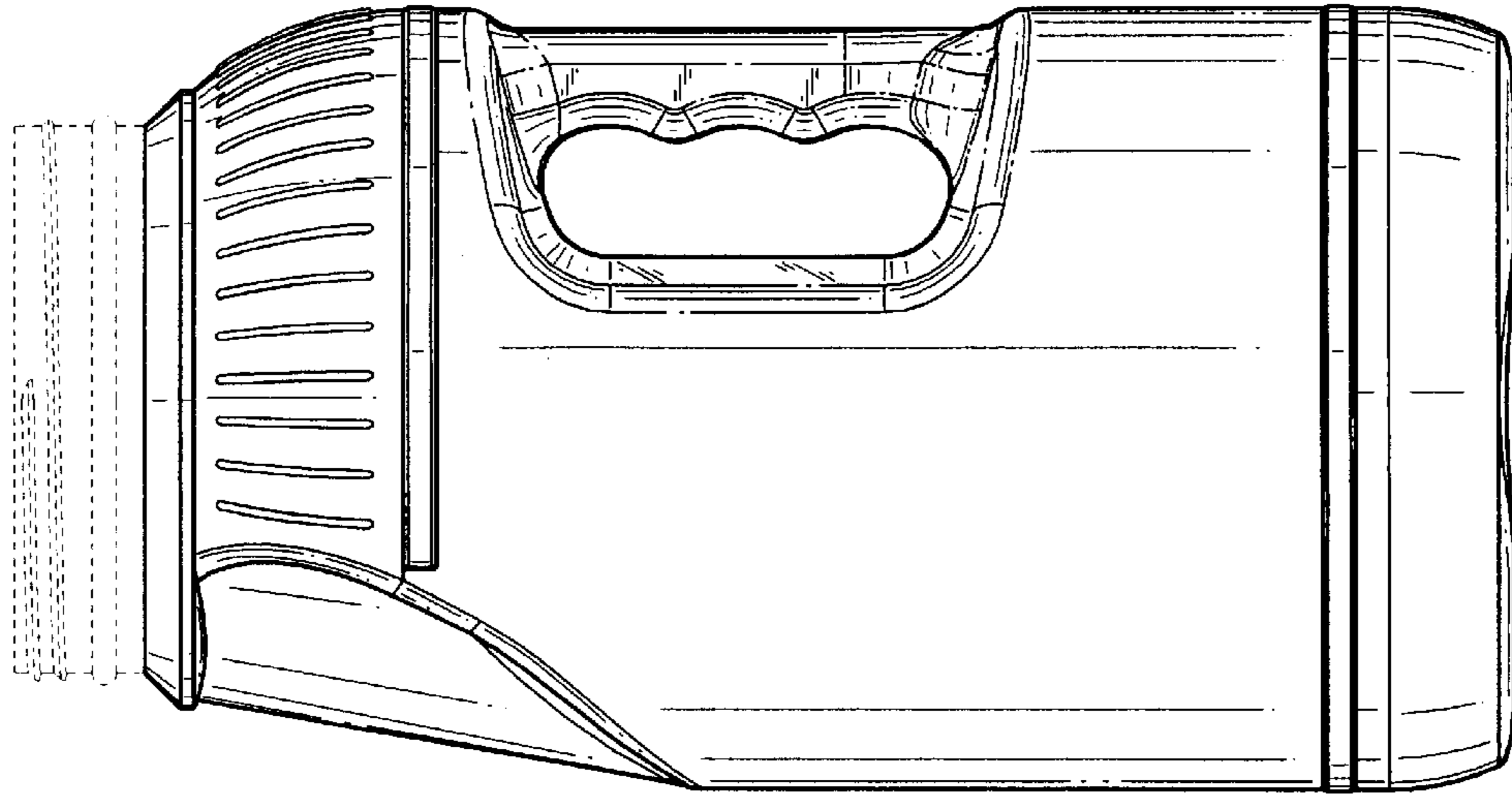


FIG. 2

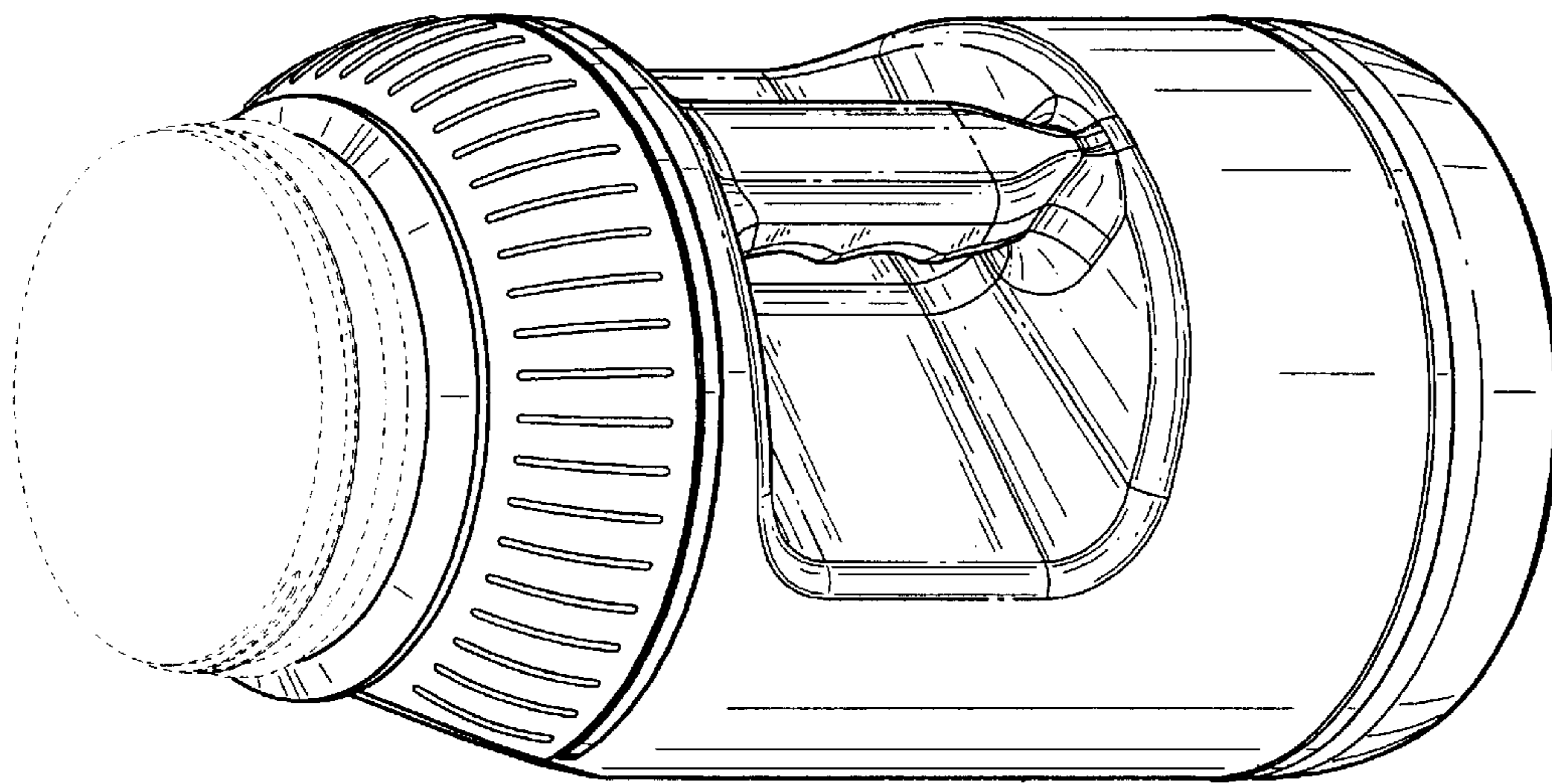


FIG. 1

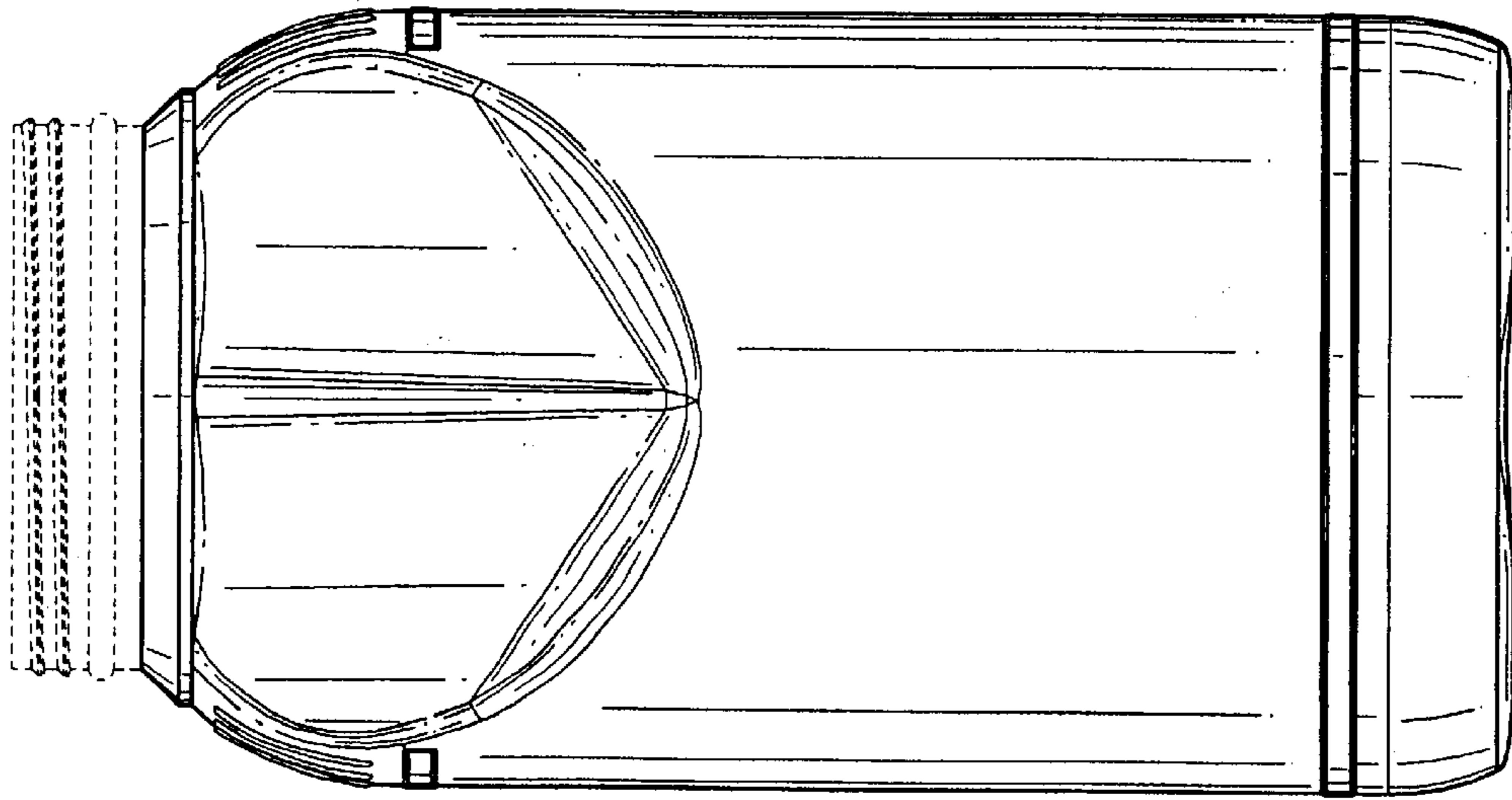


FIG. 4

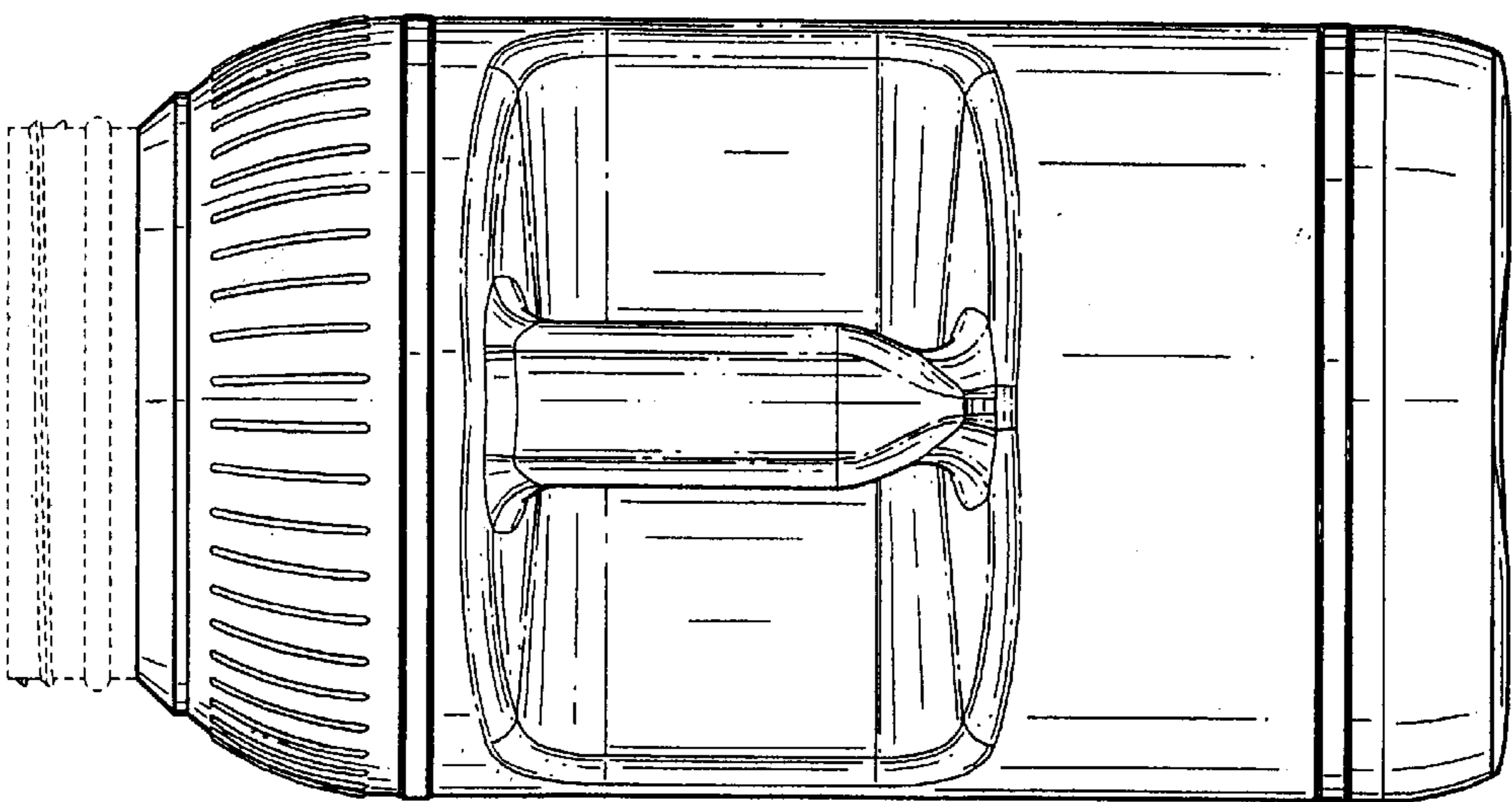


FIG. 3

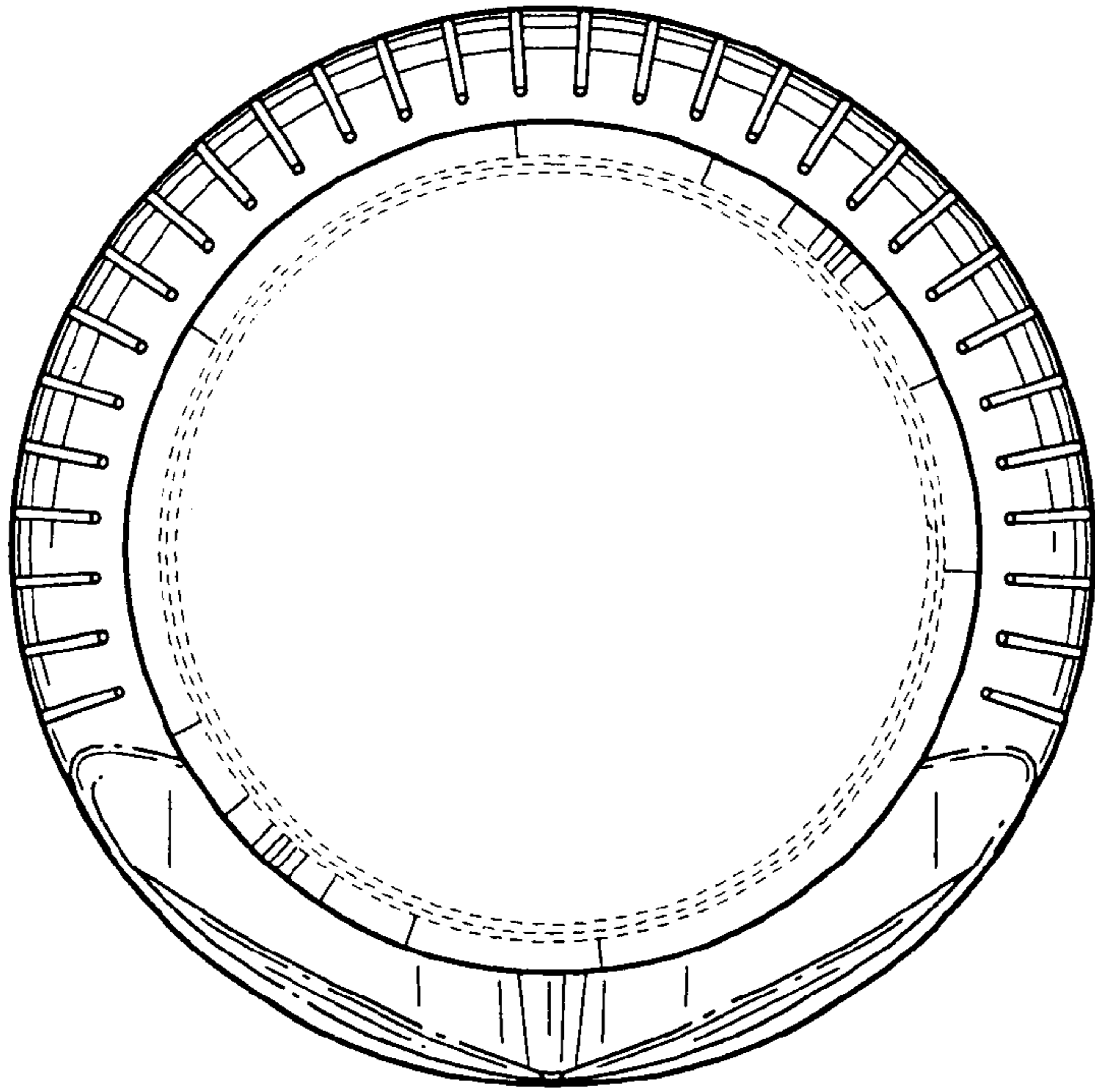


FIG. 6

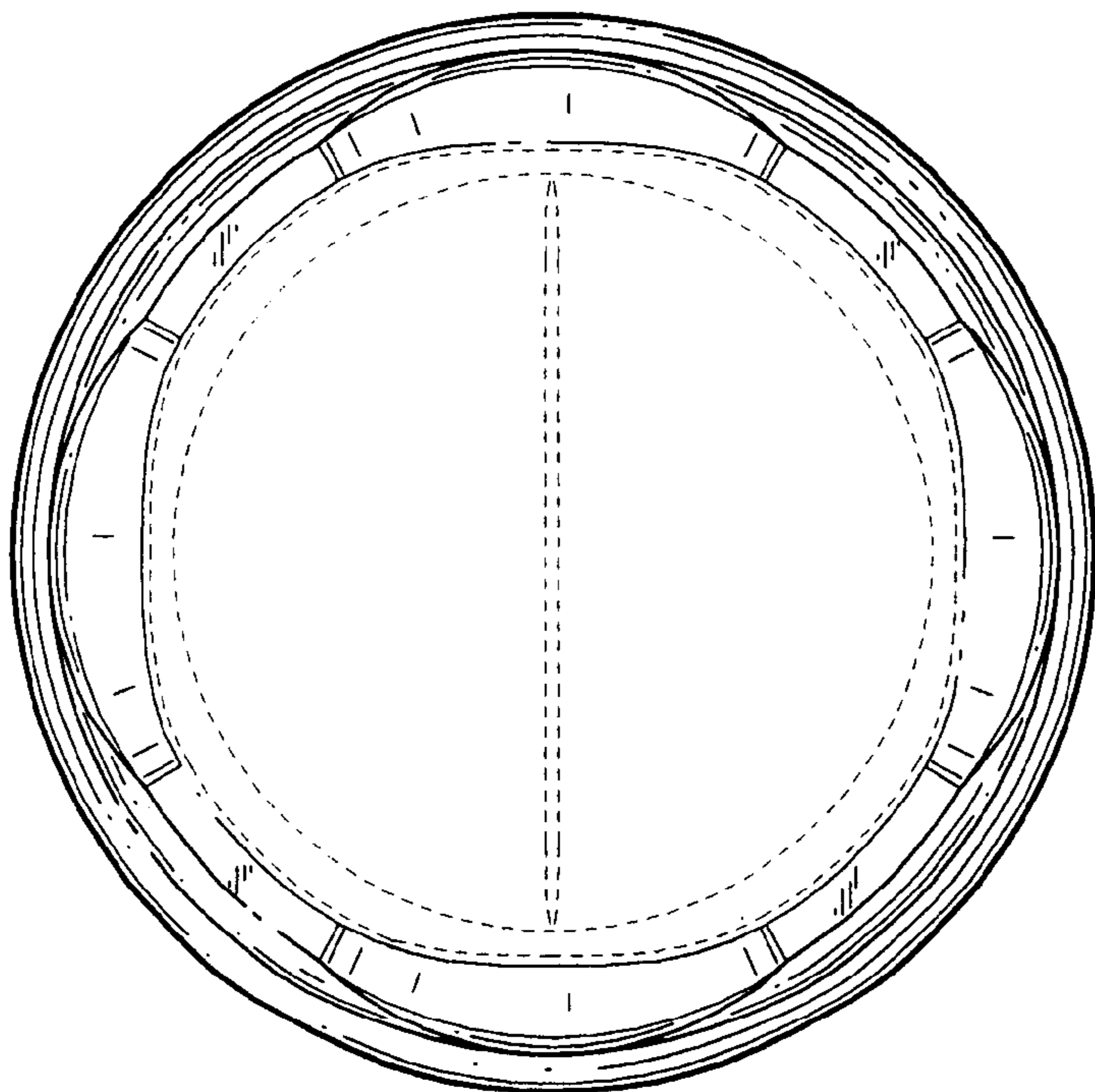


FIG. 5