

US00D521379S

(12) **United States Design Patent** (10) **Patent No.:** **US D521,379 S**
Geisselbrecht et al. (45) **Date of Patent:** **** May 23, 2006**

(54) **CONTAINER COVER**
(75) Inventors: **Hartmut K. Geisselbrecht**, Villa Hills, KY (US); **Robert E. Frey**, Villa Hills, KY (US)
(73) Assignee: **The Cin-Made Packaging Group, Inc.**, Cincinnati, OH (US)
(**) Term: **14 Years**
(21) Appl. No.: **29/200,838**
(22) Filed: **Mar. 4, 2004**
(51) **LOC (8) Cl.** **09-07**
(52) **U.S. Cl.** **D9/435**
(58) **Field of Classification Search** D9/499, D9/457, 456, 455, 450, 443, 435, 434; D7/601, D7/553.2, 553.1, 541, 392.1, 391; D3/319, D3/318, 313, 272; 229/117.27; 222/531; 220/258.2, 254.3
See application file for complete search history.

D319,786 S 9/1991 Rayner
D330,165 S * 10/1992 Brochu et al. D9/435
D334,453 S * 3/1993 Koloski D9/435
5,211,305 A 5/1993 Horton
D348,834 S 7/1994 Wardell, Jr.
5,337,911 A * 8/1994 Holub 220/254.3
D356,497 S * 3/1995 Zimmerman D9/435
5,397,013 A 3/1995 Adams et al.
D358,328 S * 5/1995 Huerto et al. D9/435
D365,273 S * 12/1995 Indeku D9/434
D367,361 S * 2/1996 Kobilarcik et al. D9/435
D371,305 S * 7/1996 Kruger D9/435
D375,654 S * 11/1996 Ferris D7/392.1
D384,204 S * 9/1997 Lippisch D3/318
D397,035 S 8/1998 Young et al.
6,068,153 A 5/2000 Young et al.
D429,640 S * 8/2000 Nielsen et al. D9/435
D448,295 S * 9/2001 Mozes D9/449
D491,065 S * 6/2004 Solowiejko et al. D9/449
D494,469 S * 8/2004 Solowiejko D9/435
2005/0045635 A1 * 3/2005 Dong 220/254.3
2005/0072783 A1 * 4/2005 Choi 220/258.2

FOREIGN PATENT DOCUMENTS

CA 771996 11/1967

* cited by examiner

Primary Examiner—Robert M. Spear
Assistant Examiner—Susan Bennett Hattan
(74) *Attorney, Agent, or Firm*—Dinsmore & Shohl LLP

(56) **References Cited**

U.S. PATENT DOCUMENTS

D170,104 S * 7/1953 Zabel et al. D9/443
2,764,199 A 9/1956 Tupper
3,095,995 A 7/1963 Foster
3,122,287 A 2/1964 Makowski
D200,270 S * 2/1965 Waterman D9/450
D200,610 S * 3/1965 Clementon D9/443
D204,509 S * 4/1966 Waterman D9/450
3,297,192 A 1/1967 Swett
3,675,812 A 7/1972 Foster
3,893,566 A * 7/1975 Ross 220/258.2
4,059,201 A 11/1977 Foster
D246,828 S * 1/1978 White D9/435
D271,554 S * 11/1983 Grusin D7/392.1
4,491,252 A 1/1985 Schmidt et al.
D277,724 S 2/1985 Daenen et al.
D278,115 S 3/1985 Leininger
D287,573 S * 1/1987 Tyler D9/435
D289,719 S * 5/1987 Daenen et al. D7/392.1
4,724,977 A 2/1988 Cleevly et al.
4,759,478 A 7/1988 Richardson et al.

(57) **CLAIM**

The ornamental design for a container cover, as shown and described.

DESCRIPTION

FIG. 1 is a front upper left perspective view of a container cover embodying a first embodiment of our inventive design;
FIG. 2 is a top plan view of the container cover of FIG. 1;
FIG. 3 is a front elevational view of the container cover of FIG. 1;
FIG. 4 is a rear elevational view of the container cover of FIG. 1;
FIG. 5 is a right side elevational view of the container cover of FIG. 1;

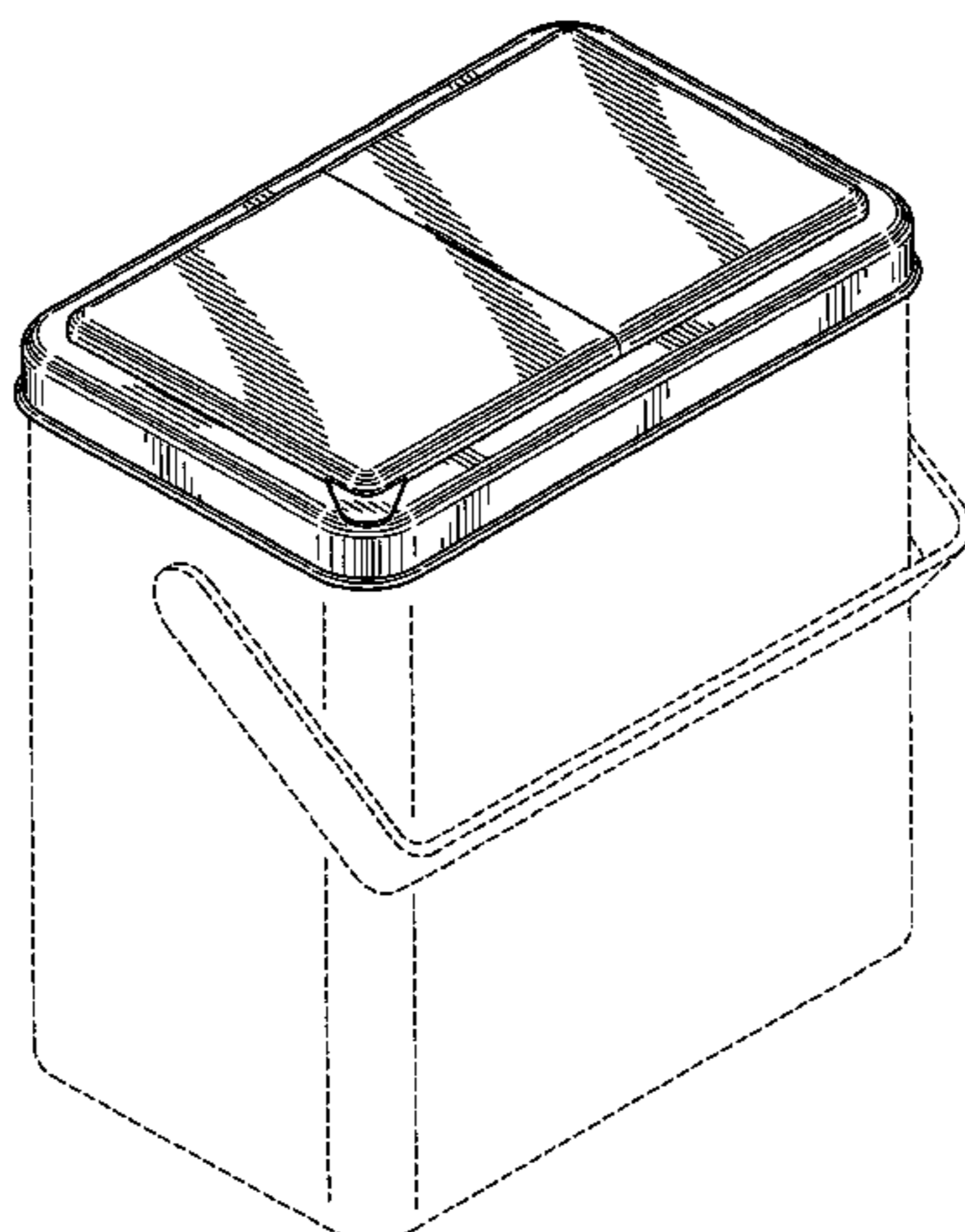


FIG. 6 is a left side elevational view of the container cover of FIG. 1;

FIG. 7 is a front upper left perspective view of a container cover embodying a second embodiment of our inventive design;

FIG. 8 is a top plan view of the container cover of FIG. 7;

FIG. 9 is a front elevational view of the container cover of FIG. 7;

FIG. 10 is a rear elevational view of the container cover of FIG. 7;

FIG. 11 is a right side elevational view of the container cover of FIG. 7;

FIG. 12 is a left side elevational view of the container cover of FIG. 7;

FIG. 13 is a front upper left perspective view of a container cover embodying a third embodiment of our inventive design, with the front upper left perspective view of FIG. 13 depicting two sides of the three-sided junction in broken lines and wherein the third side of the three-sided junction would be similarly portrayed by a broken line in a rear upper right perspective view;

FIG. 14 is a top plan view of the container cover of FIG. 13;

FIG. 15 is a front elevational view of the container cover of FIG. 13;

FIG. 16 is a rear elevational view of the container cover of FIG. 13;

FIG. 17 is a right side elevational view of the container cover of FIG. 13;

FIG. 18 is a left side elevational view of the container cover of FIG. 13;

FIG. 19 is a front upper left perspective view of a container cover embodying a fourth embodiment of our inventive design, with the front upper left perspective view of FIG. 19 depicting two sides of the three-sided junction in broken lines and wherein the third side of the three-sided junction would be similarly portrayed by a broken line in a rear upper right perspective view;

FIG. 20 is a top plan view of the container cover of FIG. 19;

FIG. 21 is a front elevational view of the container cover of FIG. 19;

FIG. 22 is a rear elevational view of the container cover of FIG. 19;

FIG. 23 is a right side elevational view of the container cover of FIG. 19;

FIG. 24 is a left side elevational view of the container cover of FIG. 19;

FIG. 25 is a front upper left perspective view of a container cover embodying a fifth embodiment of our inventive design;

FIG. 26 is a top plan view of the container cover of FIG. 25;

FIG. 27 is a front elevational view of the container cover of FIG. 25;

FIG. 28 is a rear elevational view of the container cover of FIG. 25;

FIG. 29 is a right side elevational view of the container cover of FIG. 25;

FIG. 30 is a left side elevational view of the container cover of FIG. 25;

FIG. 31 is a front upper left perspective view of a container cover embodying a sixth embodiment of our inventive design;

FIG. 32 is a top plan view of the container cover of FIG. 31;

FIG. 33 is a front elevational view of the container cover of FIG. 31;

FIG. 34 is a rear elevational view of the container cover of FIG. 31;

FIG. 35 is a right side elevational view of the container cover of FIG. 31;

FIG. 36 is a left side elevational view of the container cover of FIG. 31;

FIG. 37 is a front upper left perspective view of a container cover embodying a seventh embodiment of our inventive design, with the front upper left perspective view of FIG. 37 depicting two sides of the four-sided junction in broken lines and wherein the remaining two sides of the four-sided junction would be similarly portrayed by broken lines in a rear upper right perspective view;

FIG. 38 is a top plan view of the container cover of FIG. 37;

FIG. 39 is a front elevational view of the container cover of FIG. 37;

FIG. 40 is a rear elevational view of the container cover of FIG. 37;

FIG. 41 is a right side elevational view of the container cover of FIG. 37;

FIG. 42 is a left side elevational view of the container cover of FIG. 37;

FIG. 43 is a front upper left perspective view of a container cover embodying an eighth embodiment of our inventive design, with the front left perspective view of FIG. 43 depicting two sides of the four-sided junction in broken lines and wherein the remaining two sides of the four-sided junction would be similarly portrayed by broken lines in a rear upper right perspective view;

FIG. 44 is a top plan view of the container cover of FIG. 43;

FIG. 45 is a front elevational view of the container cover of FIG. 43;

FIG. 46 is a rear elevational view of the container cover of FIG. 43;

FIG. 47 is a right side elevational view of the container cover of FIG. 43; and,

FIG. 48 is a left side elevational view of the container cover of FIG. 43.

The broken lines and unshaded areas shown in the figures are for illustrative purposes only and form no part of the claimed design.

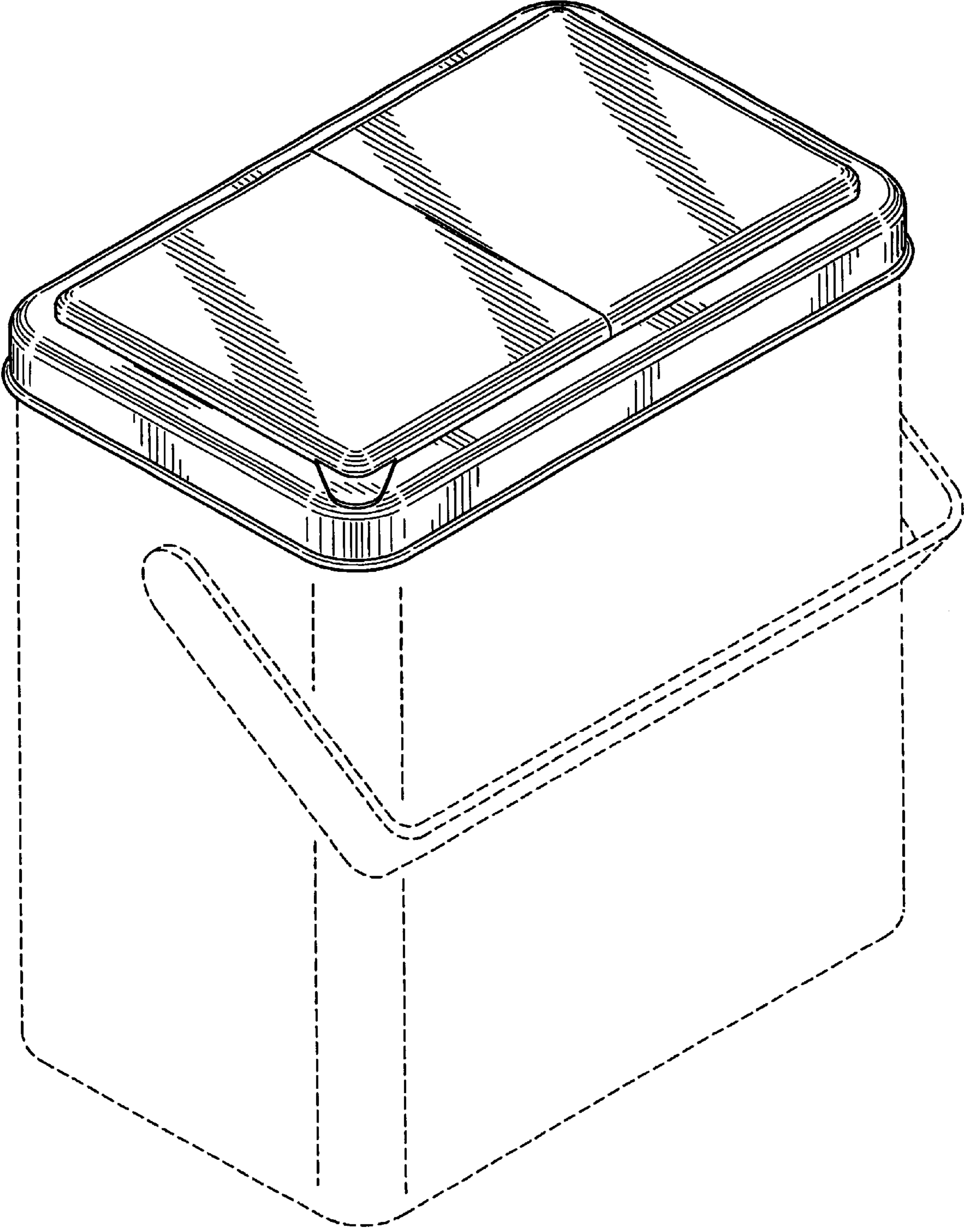


FIG. 1

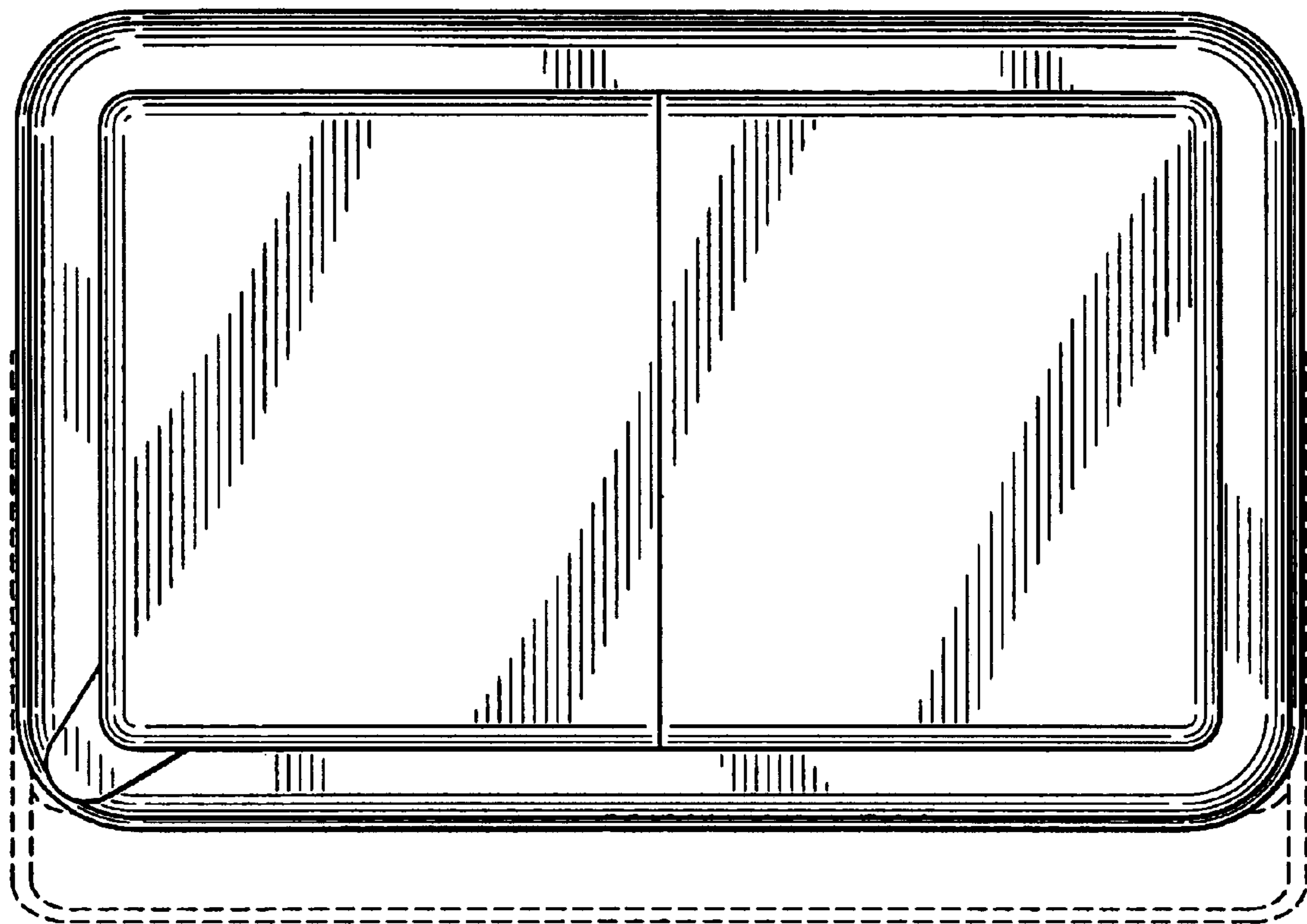


FIG. 2

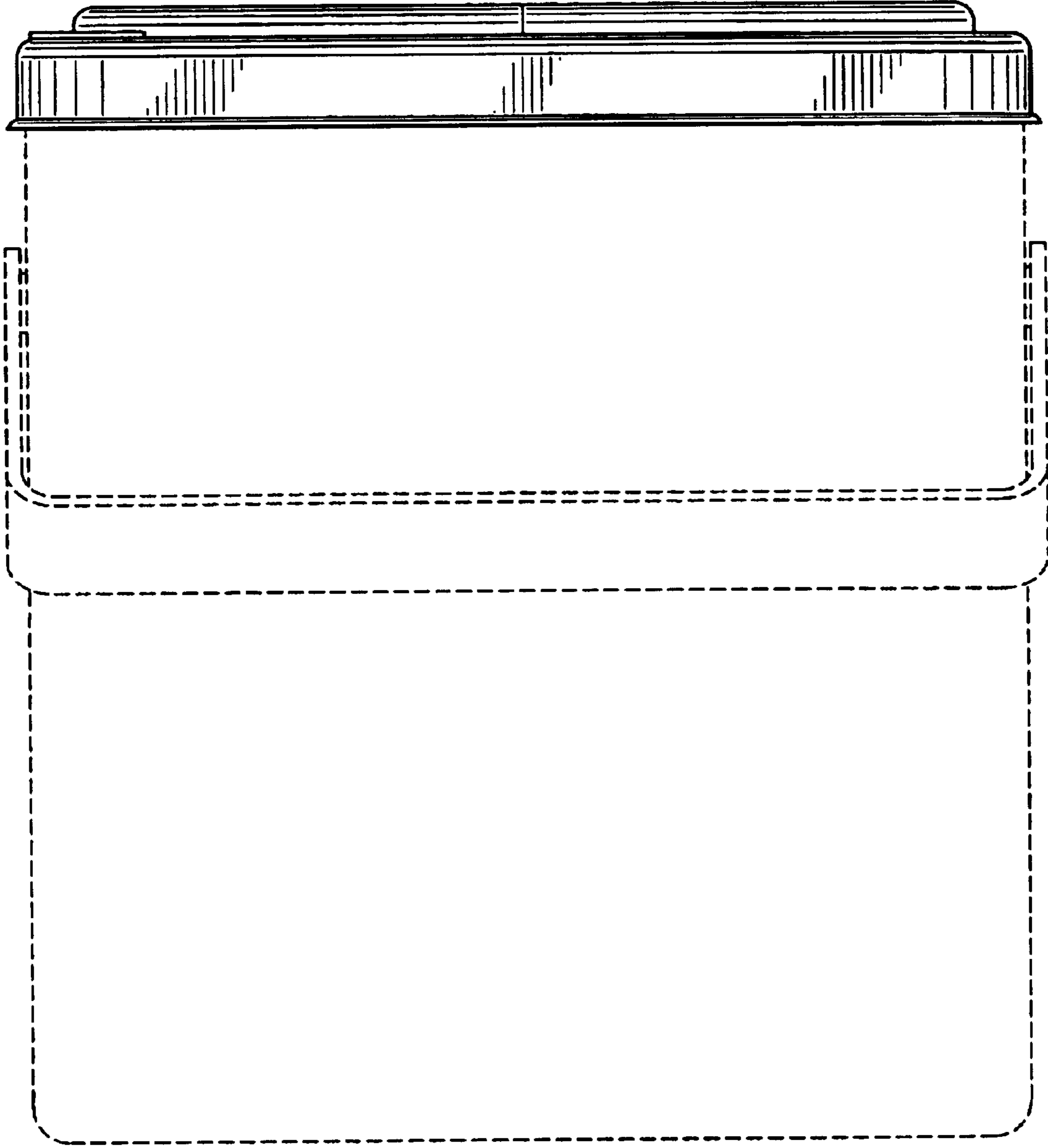


FIG. 3

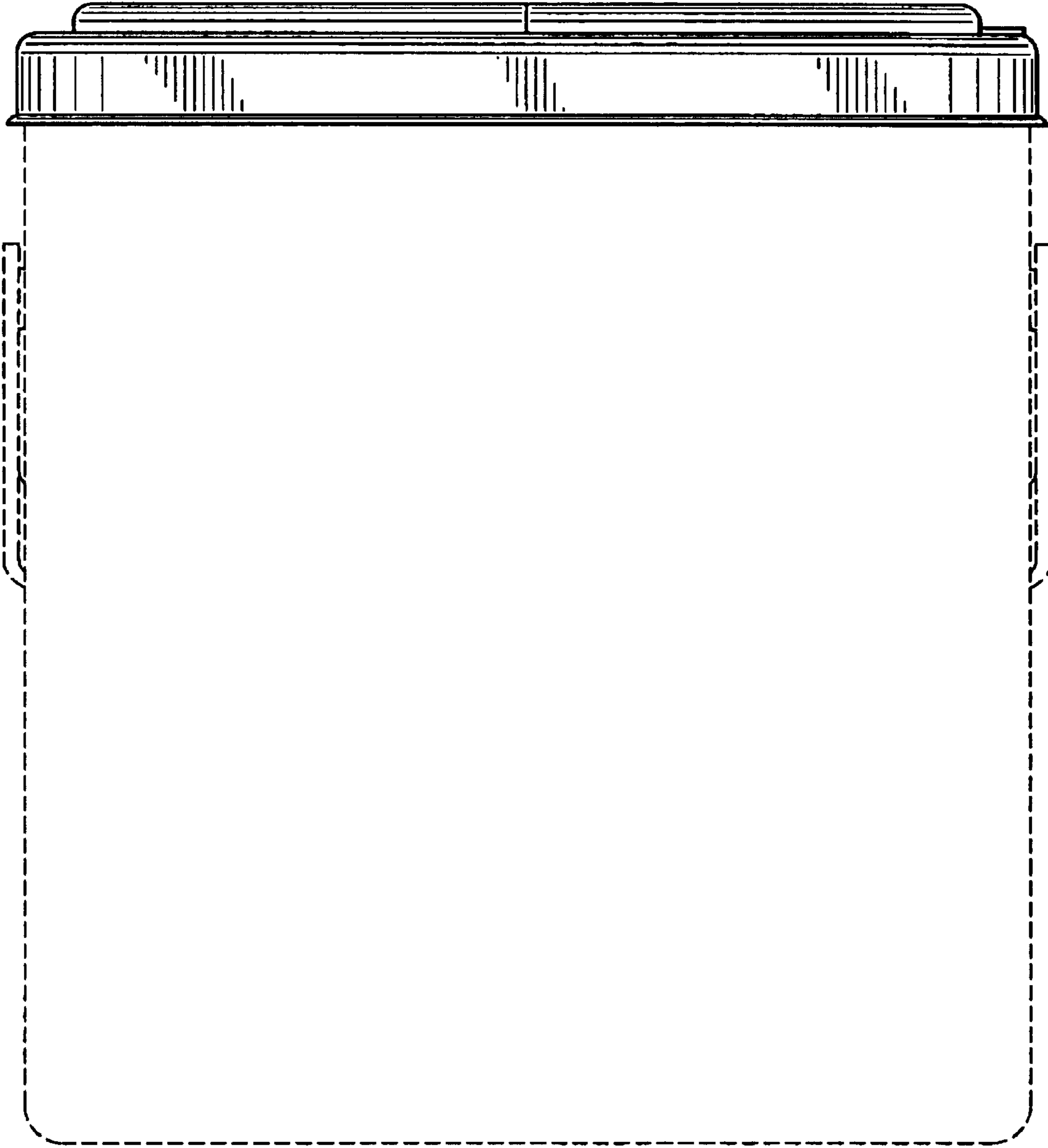


FIG. 4

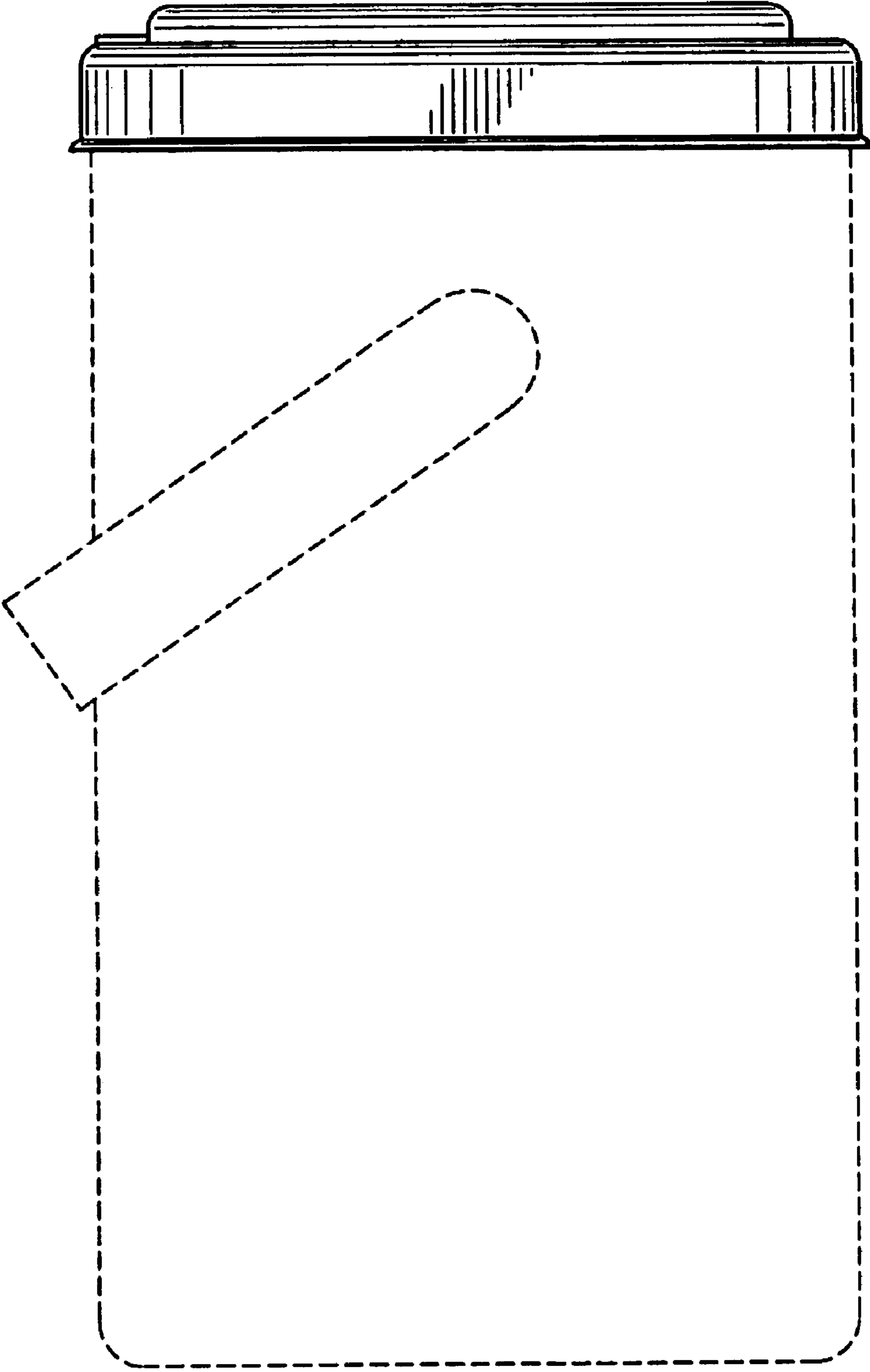


FIG. 5

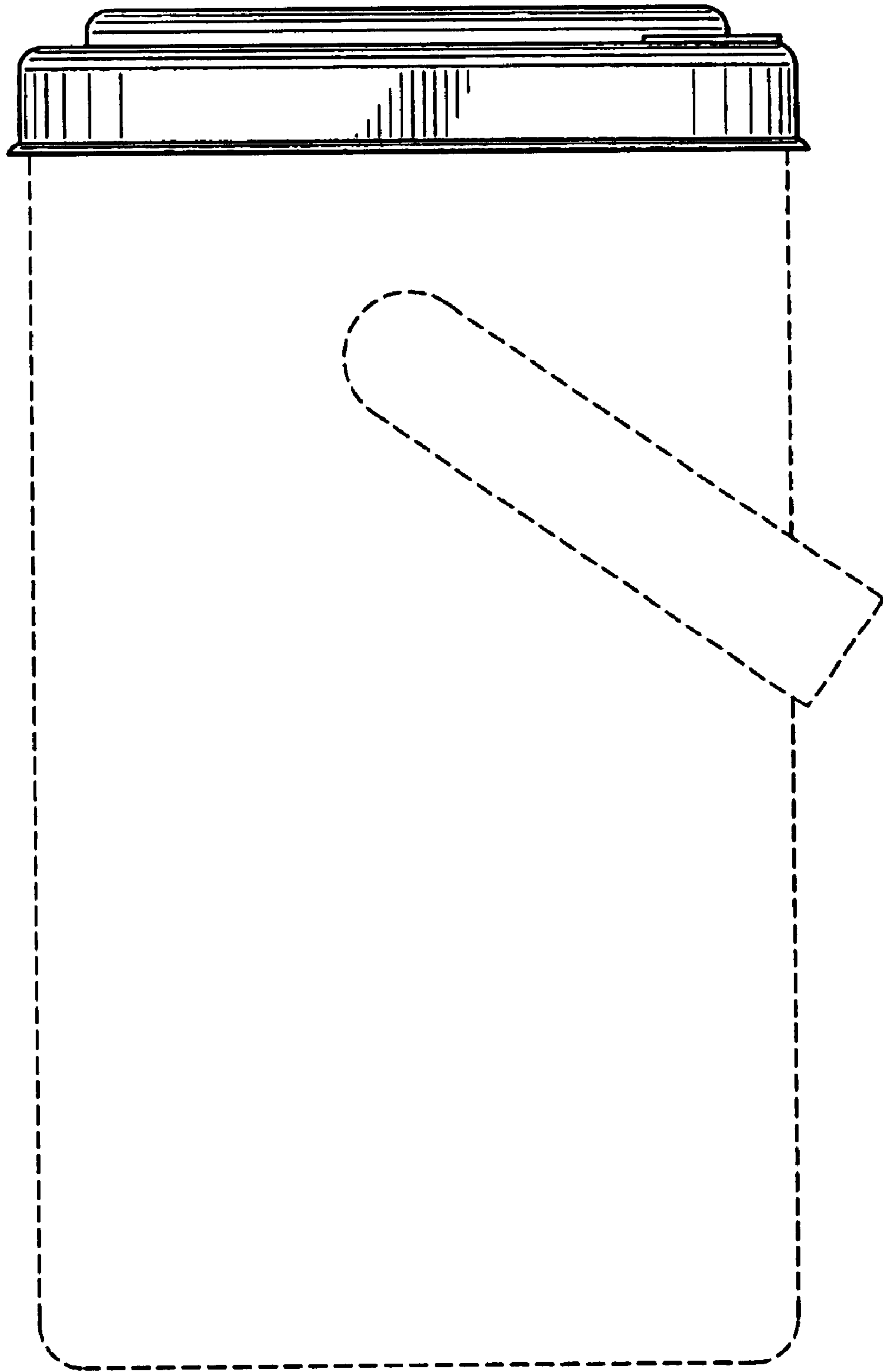


FIG. 6

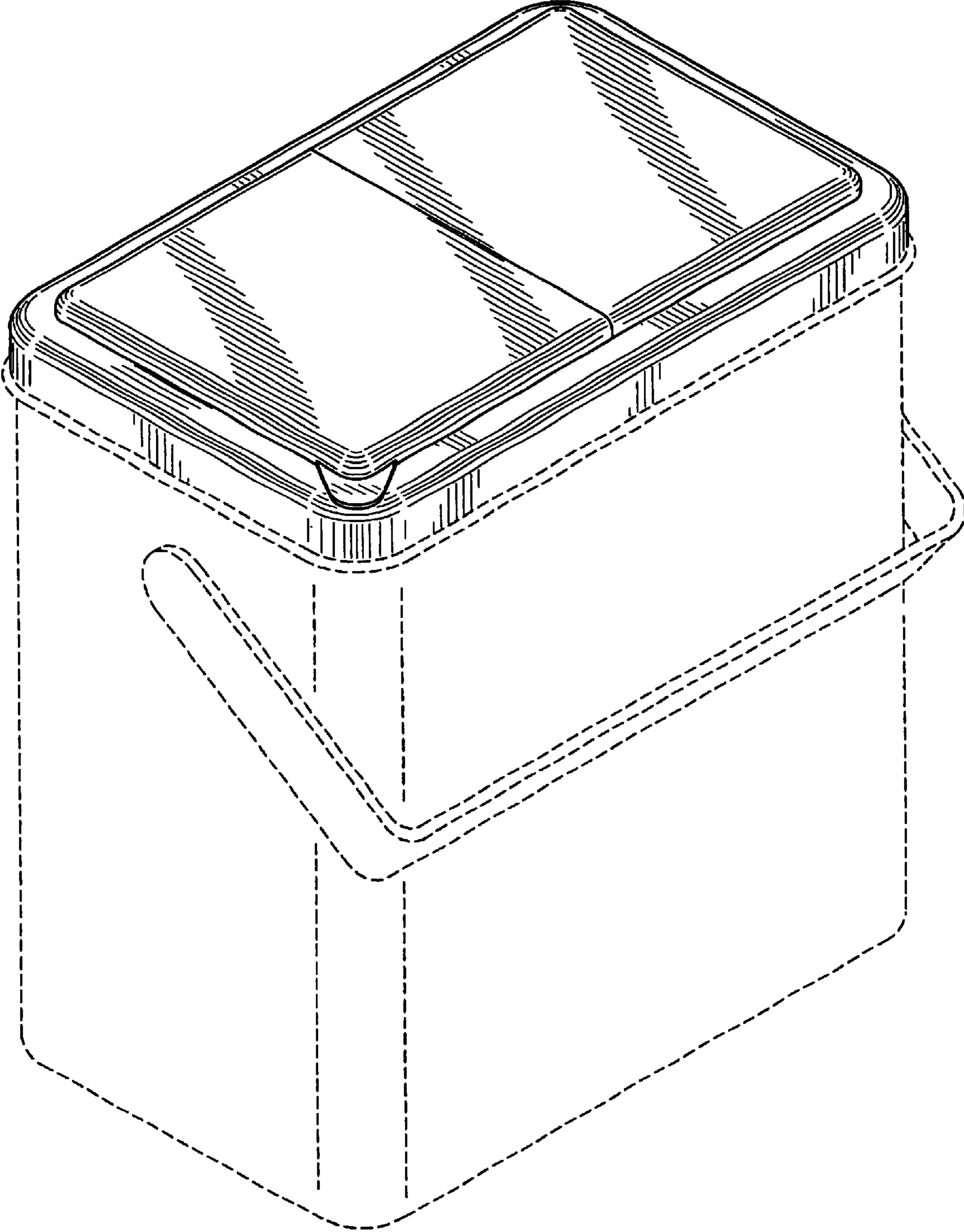


FIG. 7

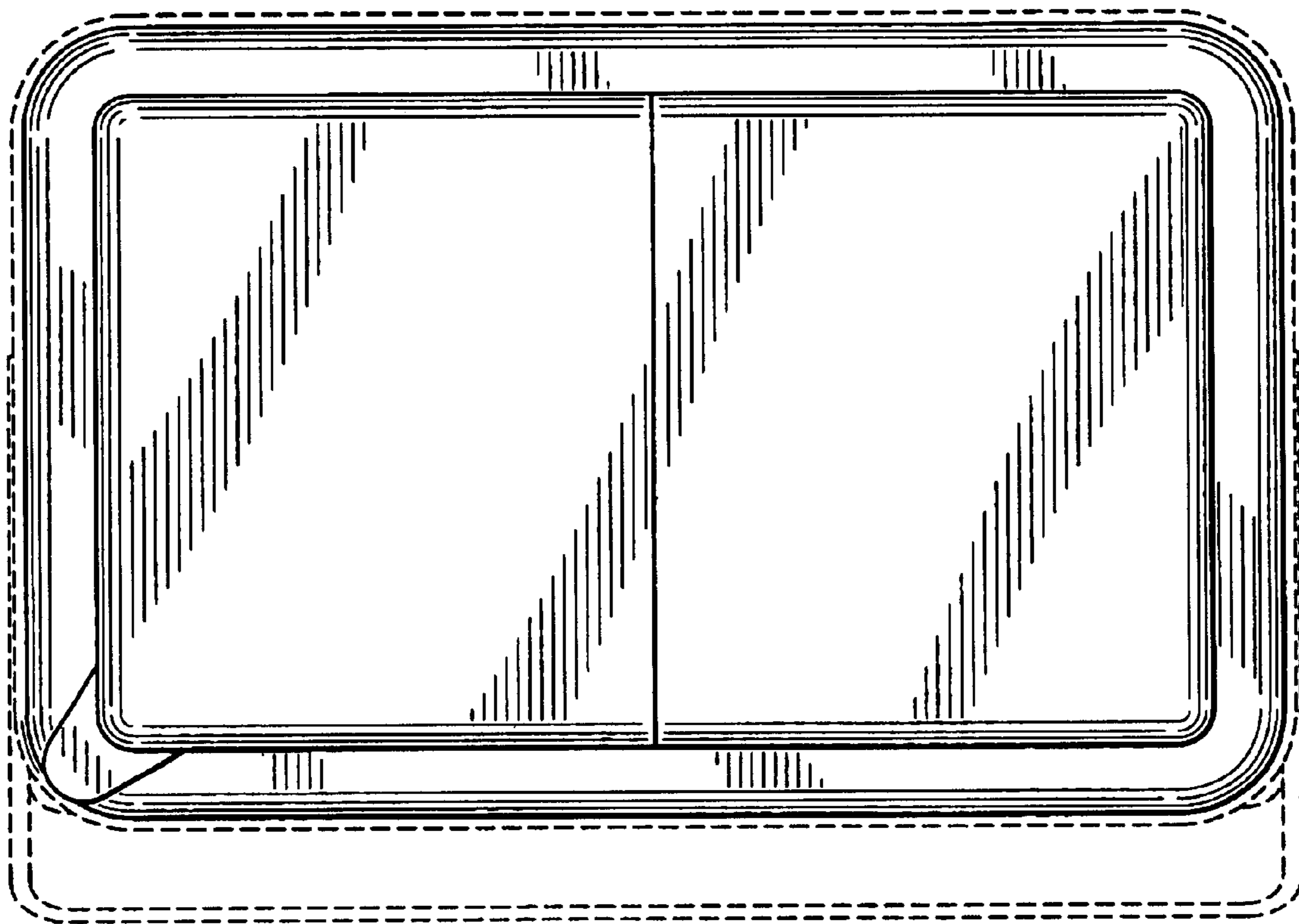


FIG. 8

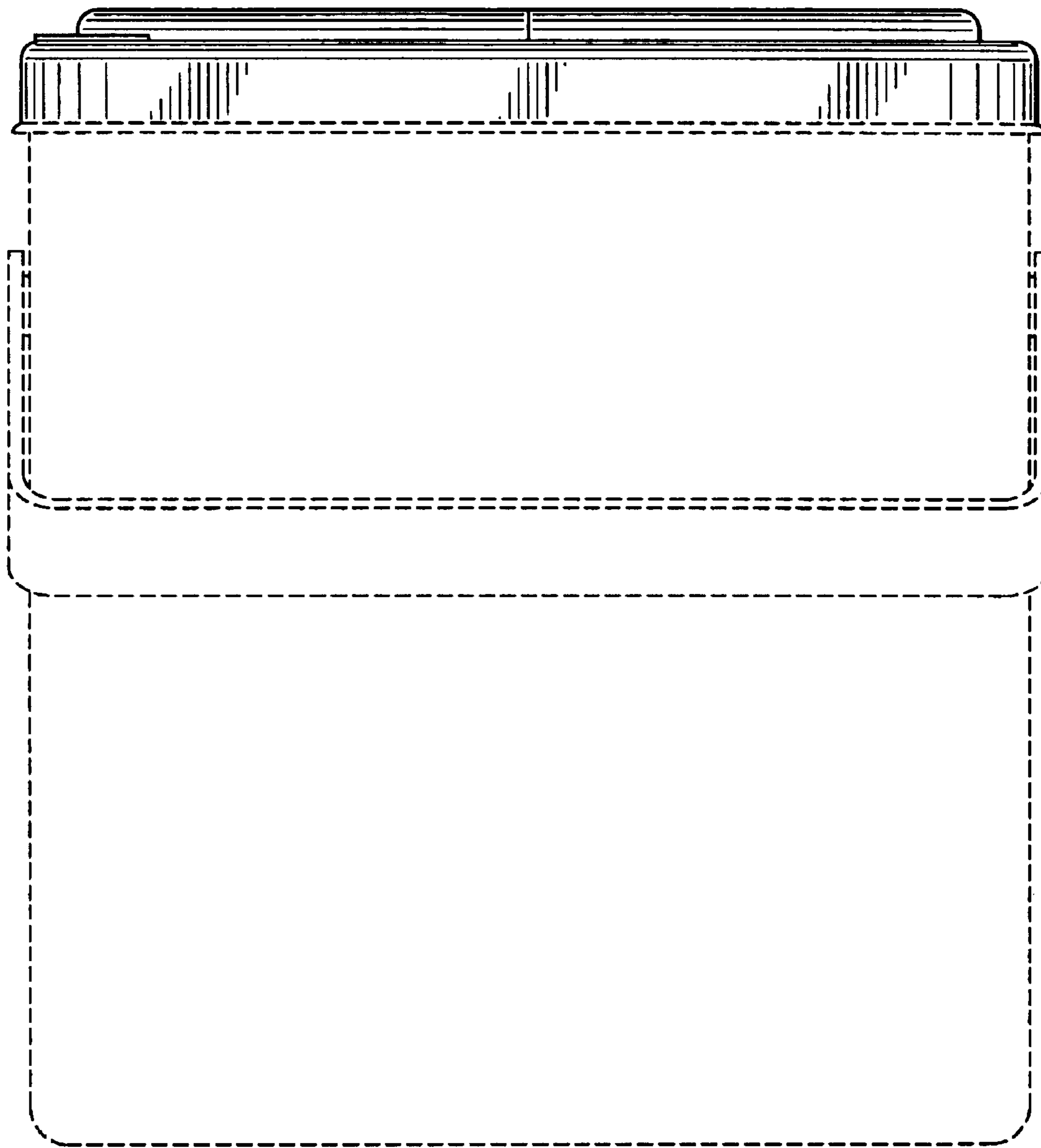


FIG. 9

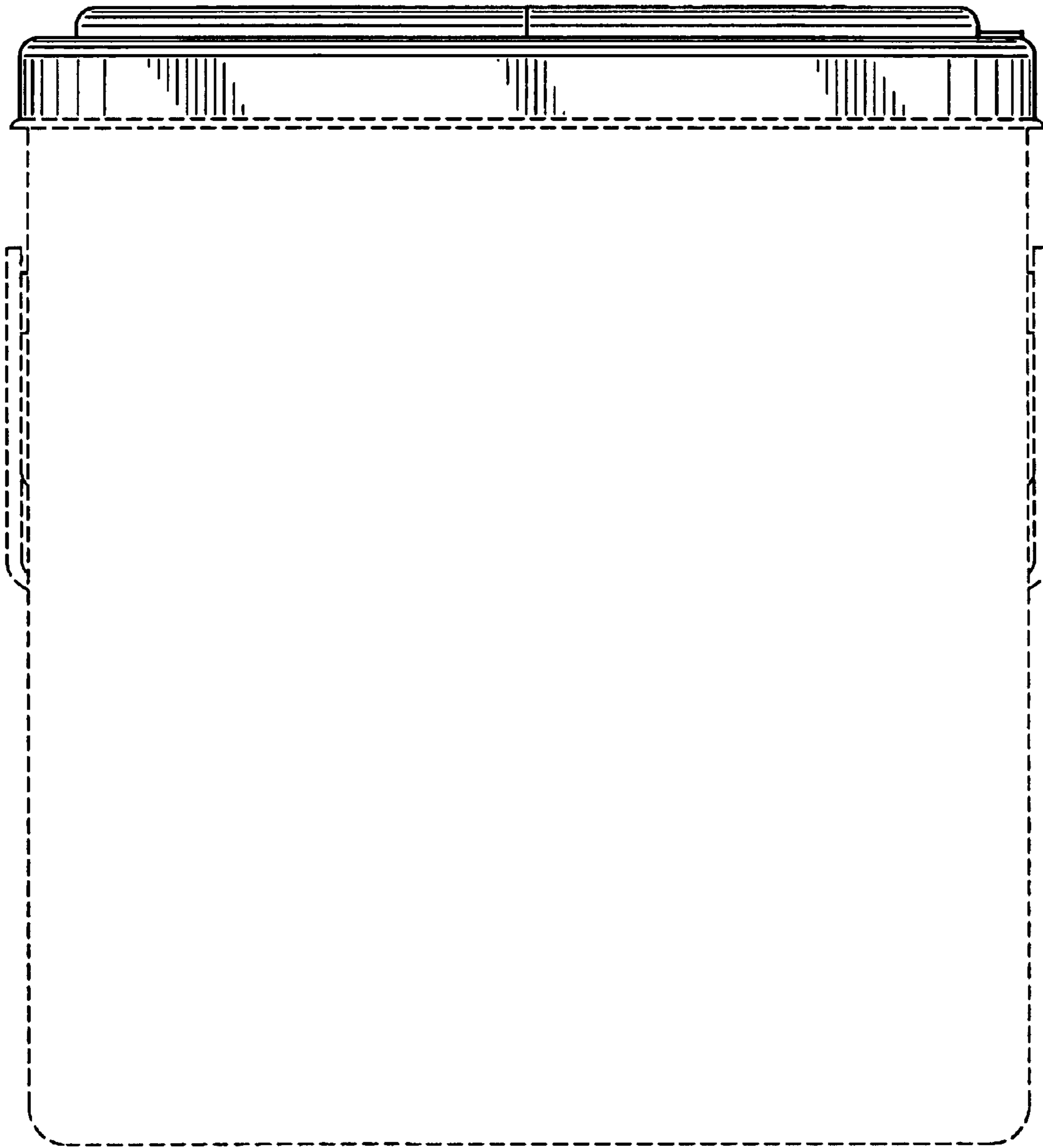


FIG. 10

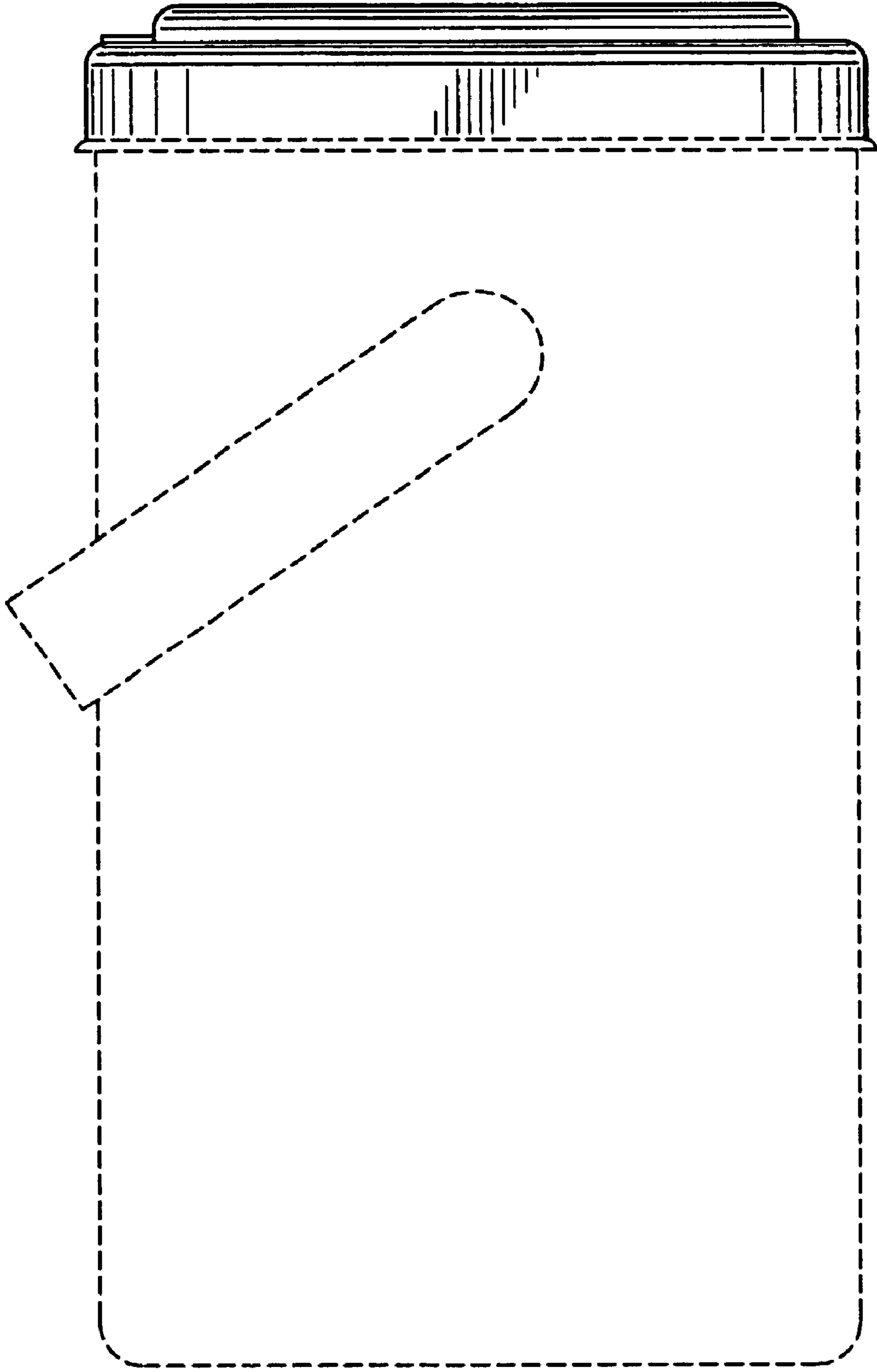


FIG. 11

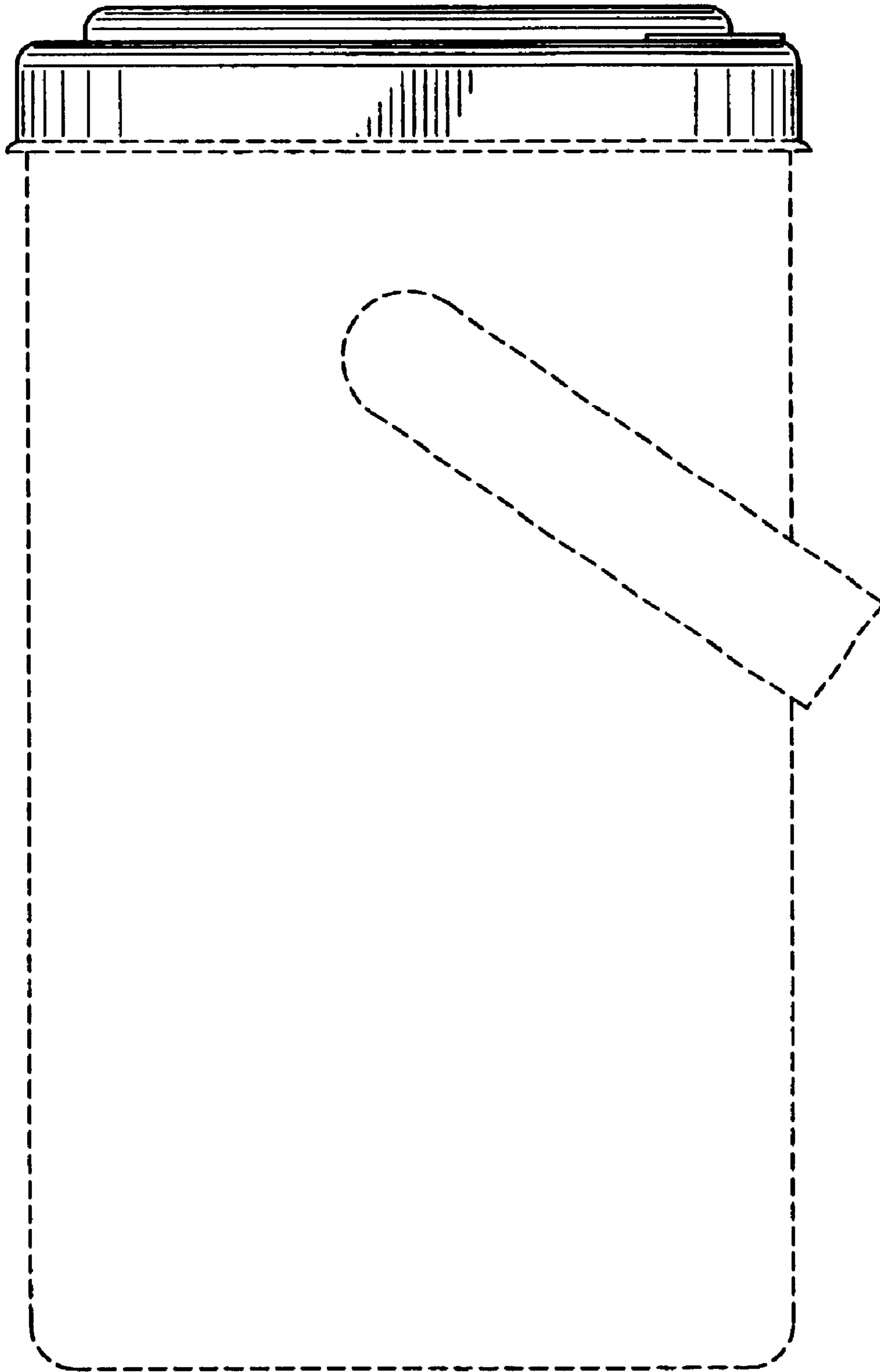


FIG. 12

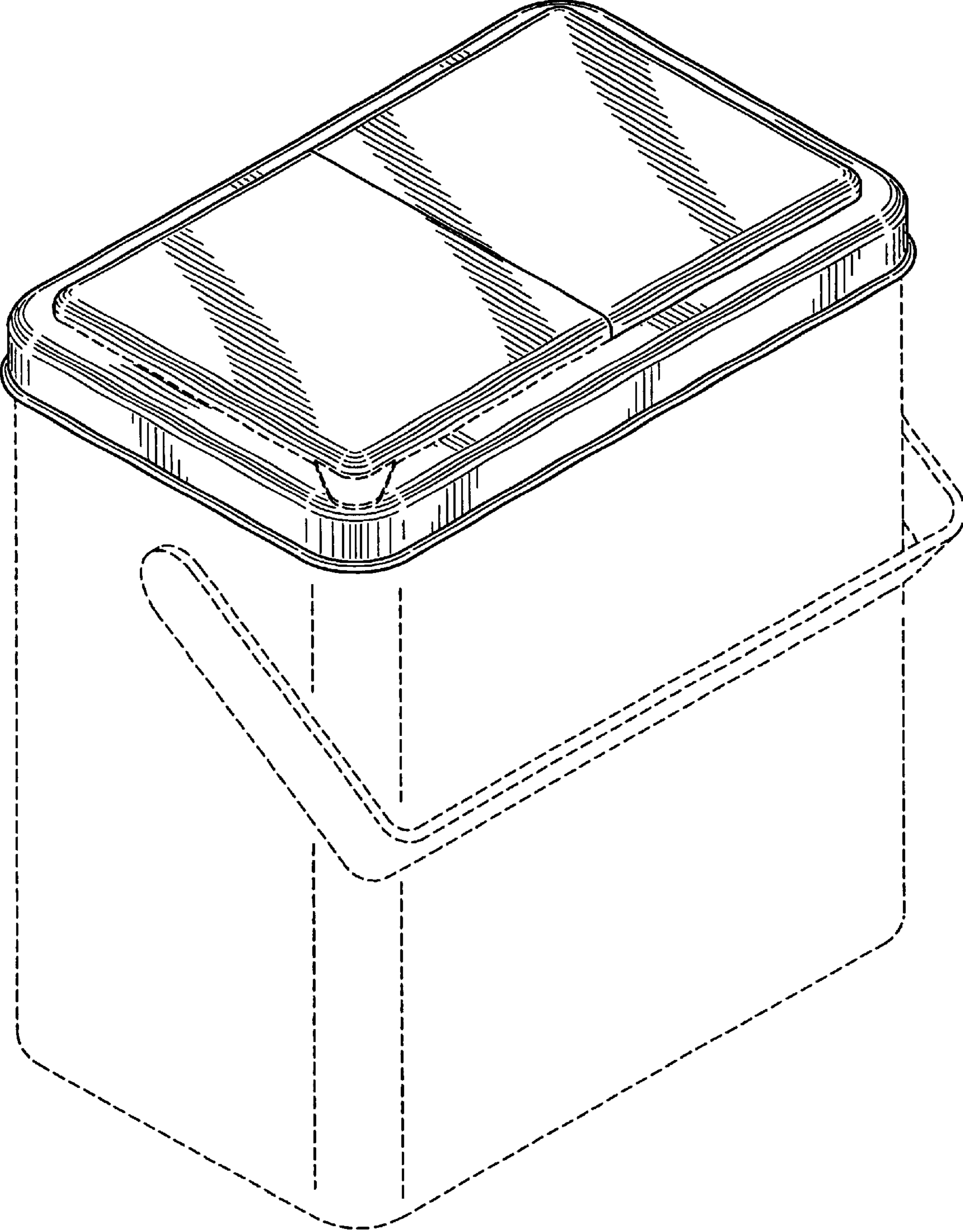


FIG. 13

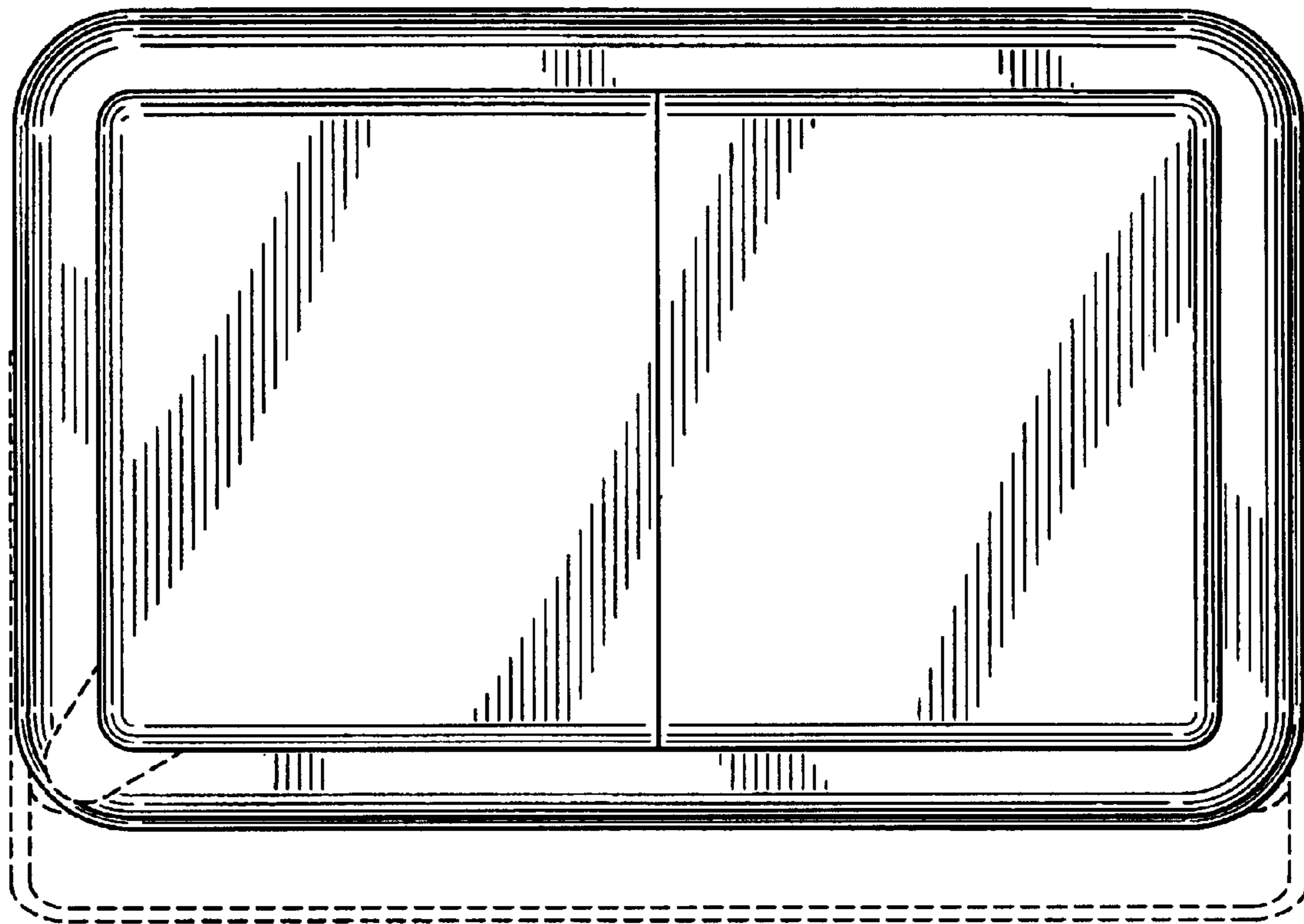


FIG. 14

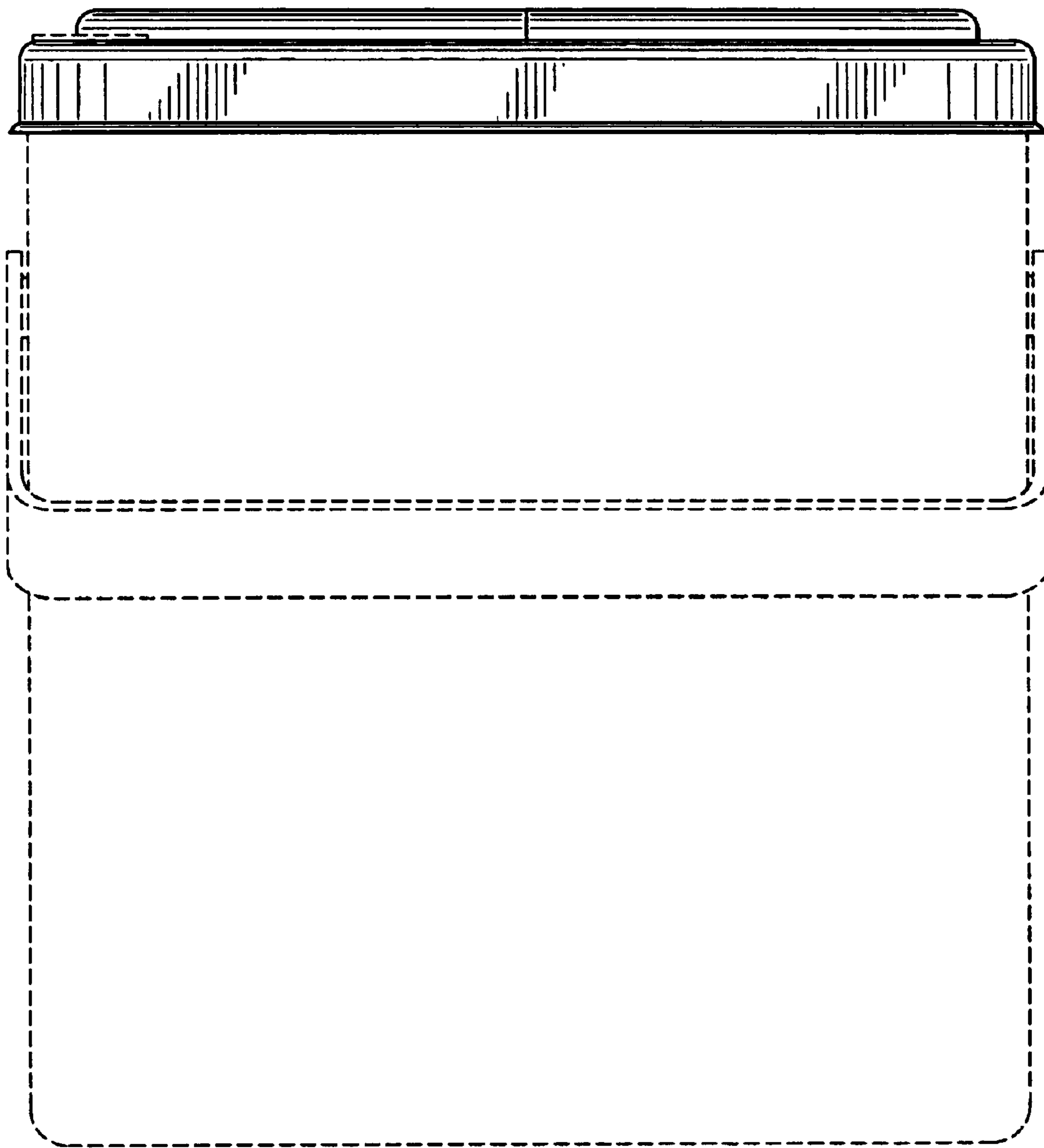


FIG. 15

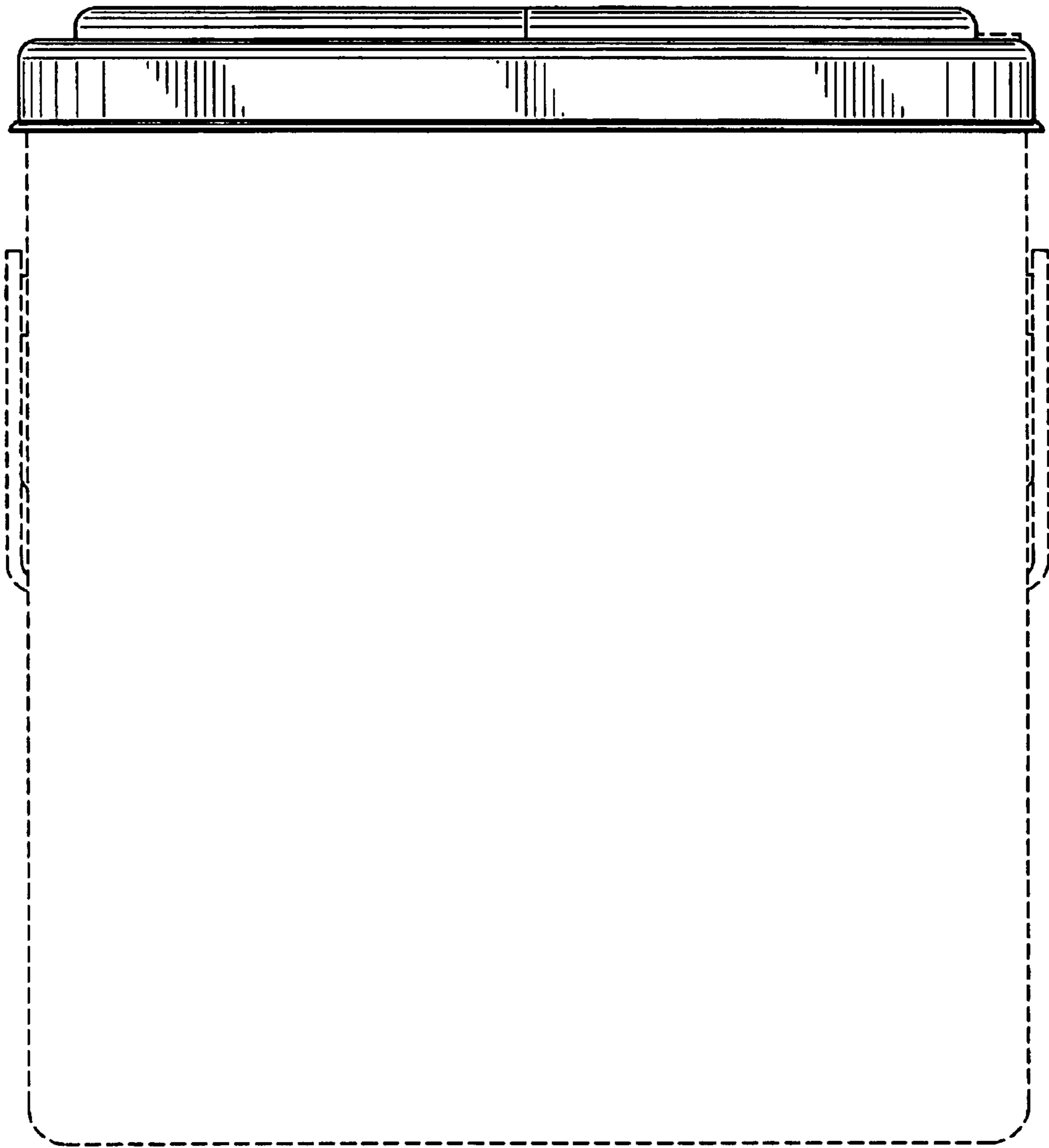


FIG. 16

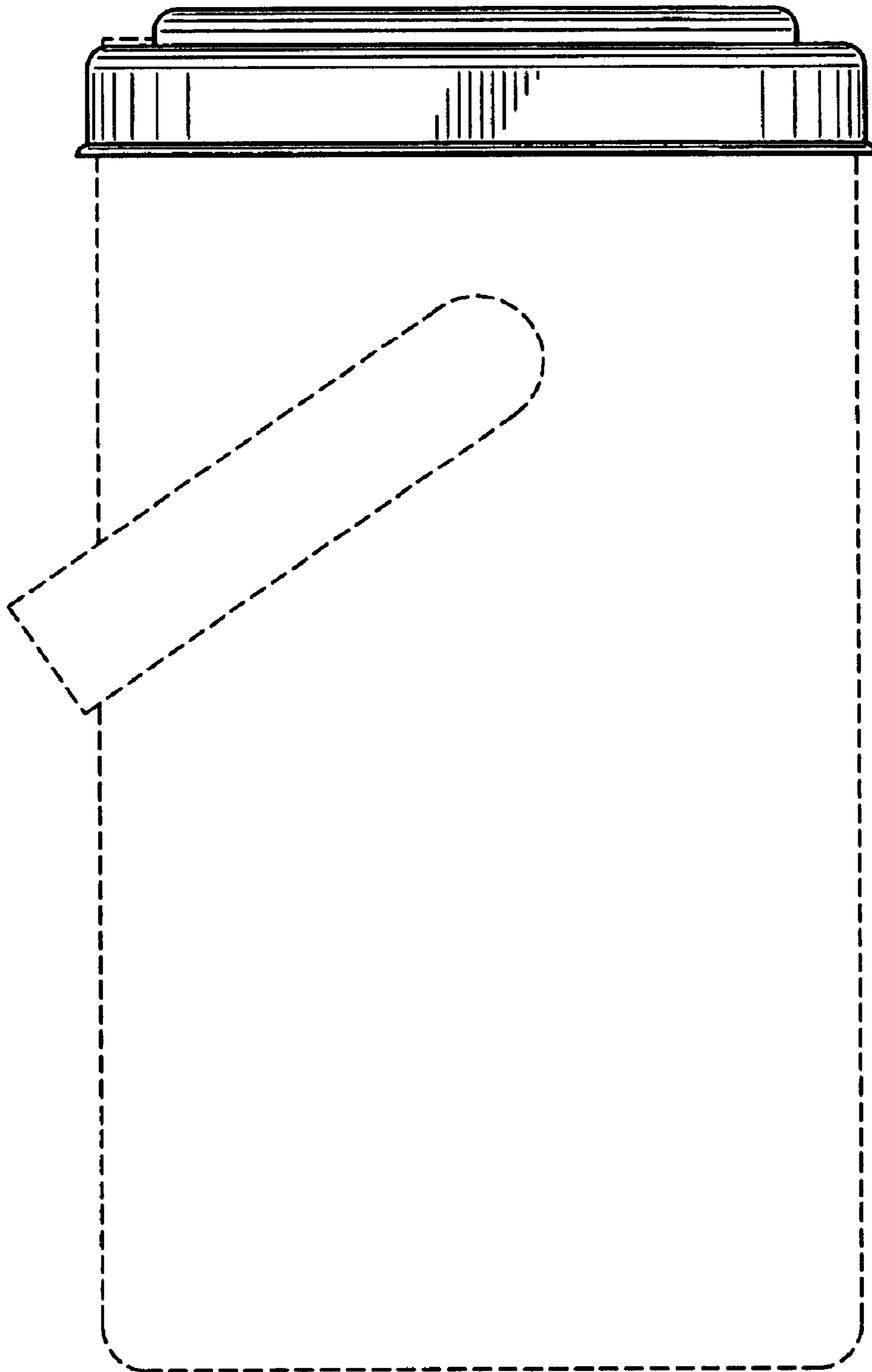


FIG. 17

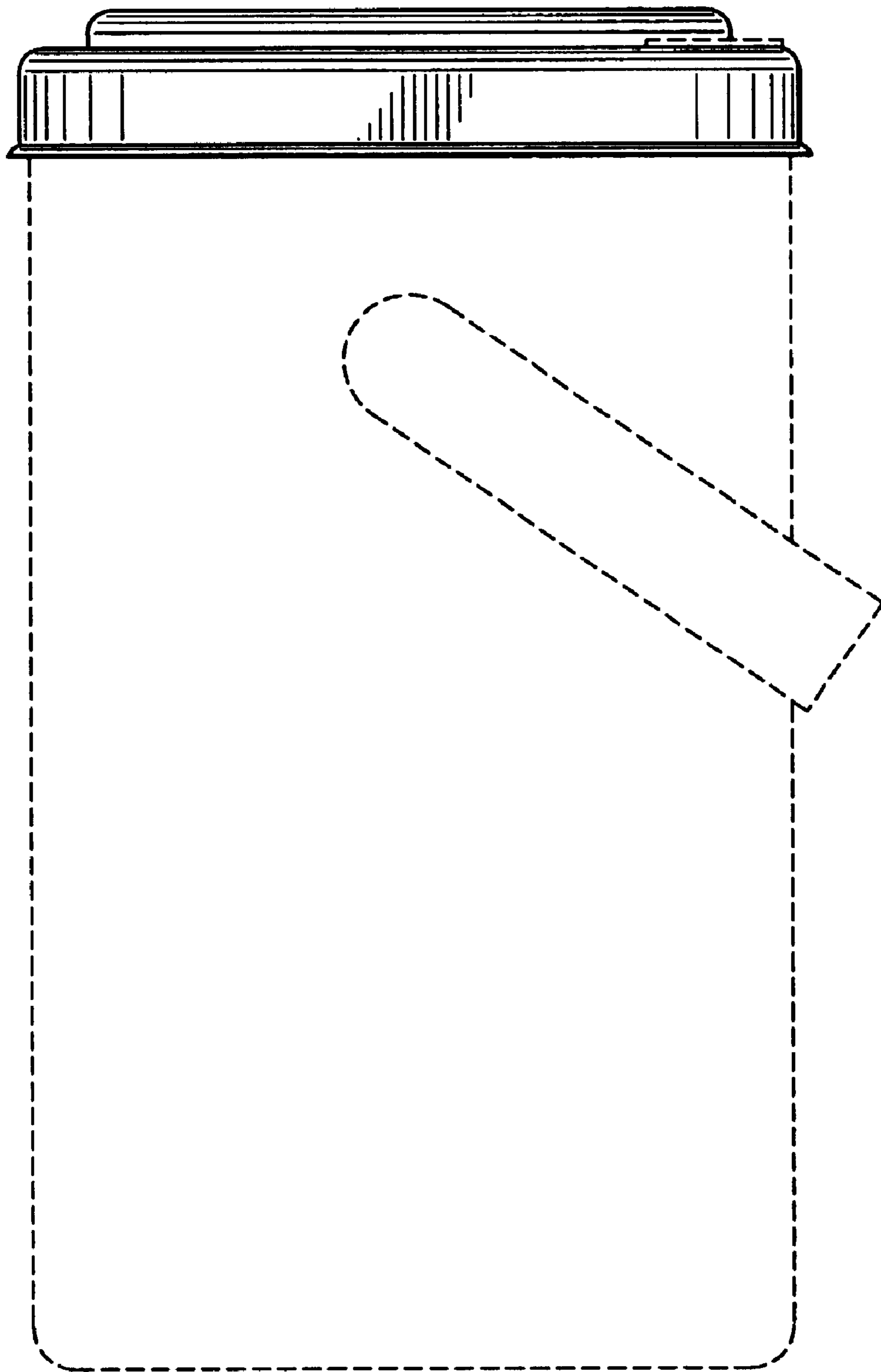


FIG. 18

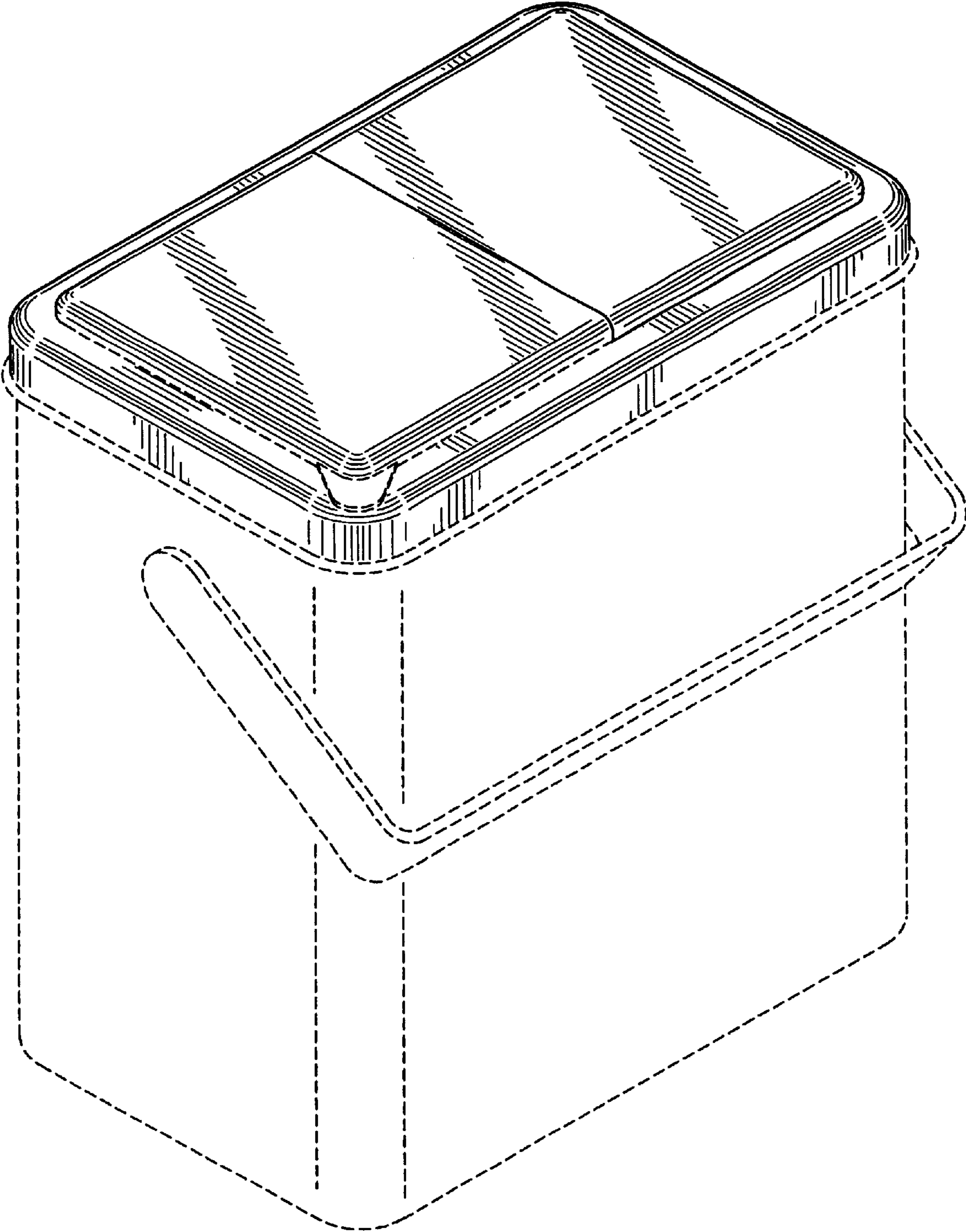


FIG. 19

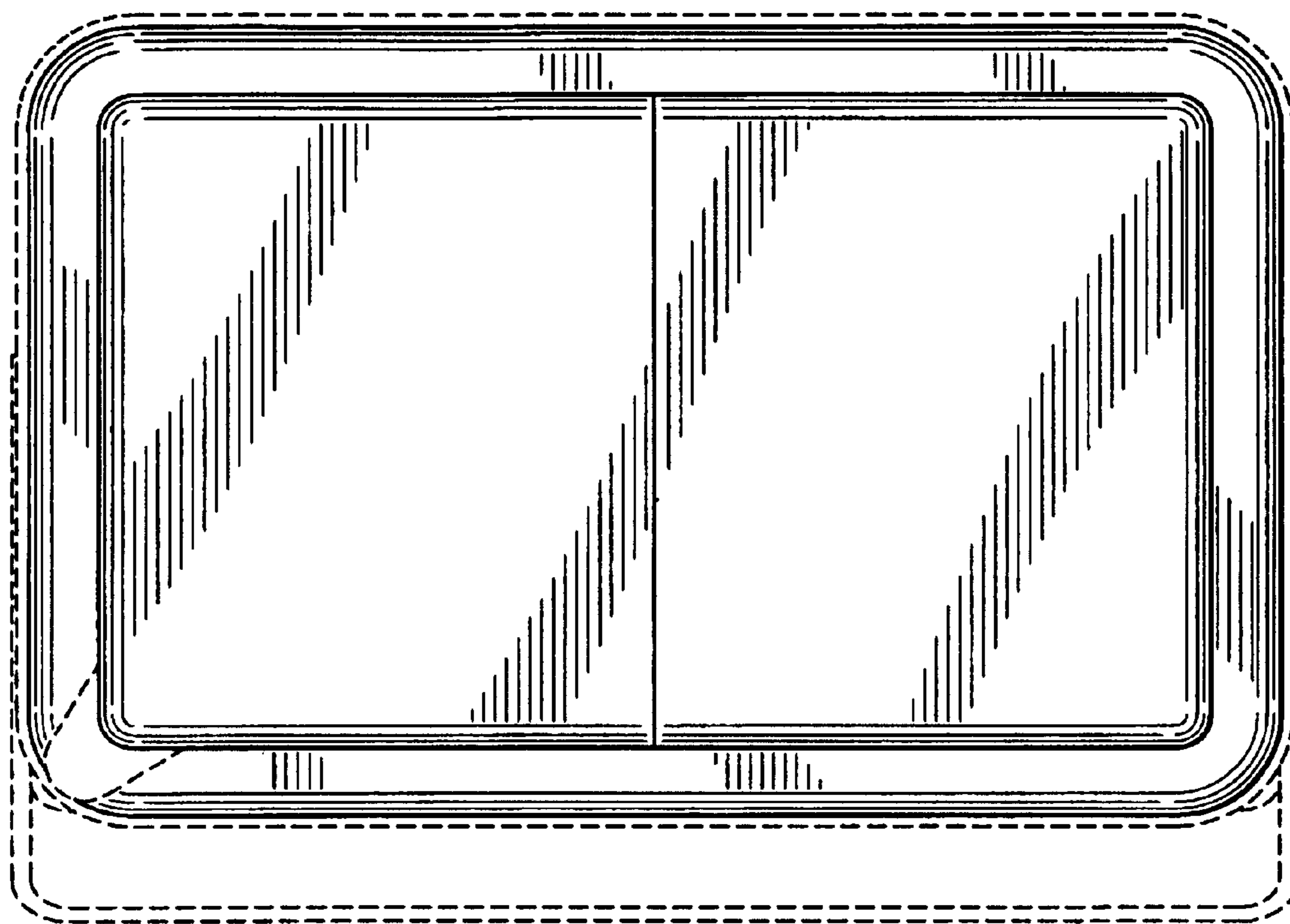


FIG. 20

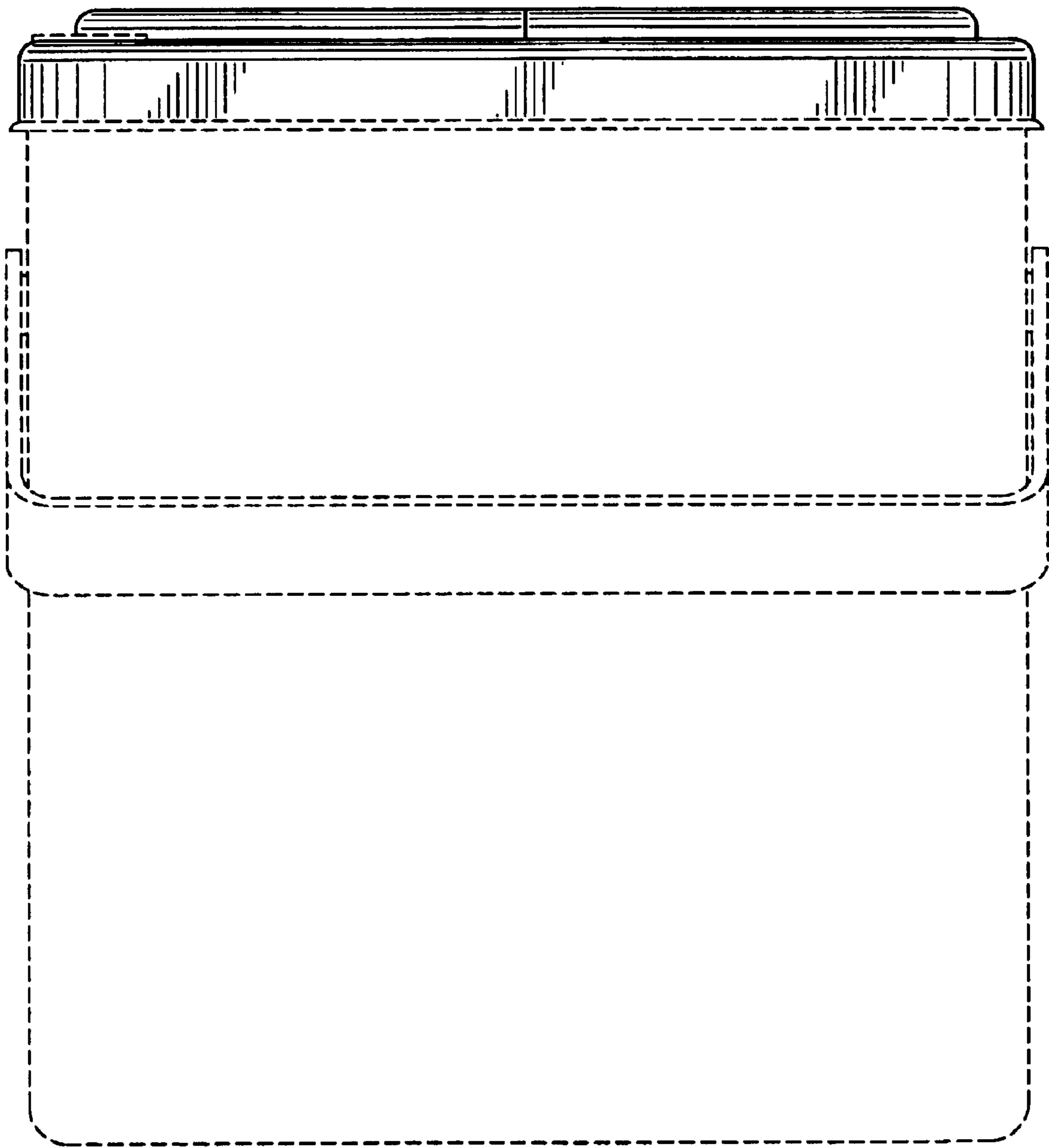


FIG. 21

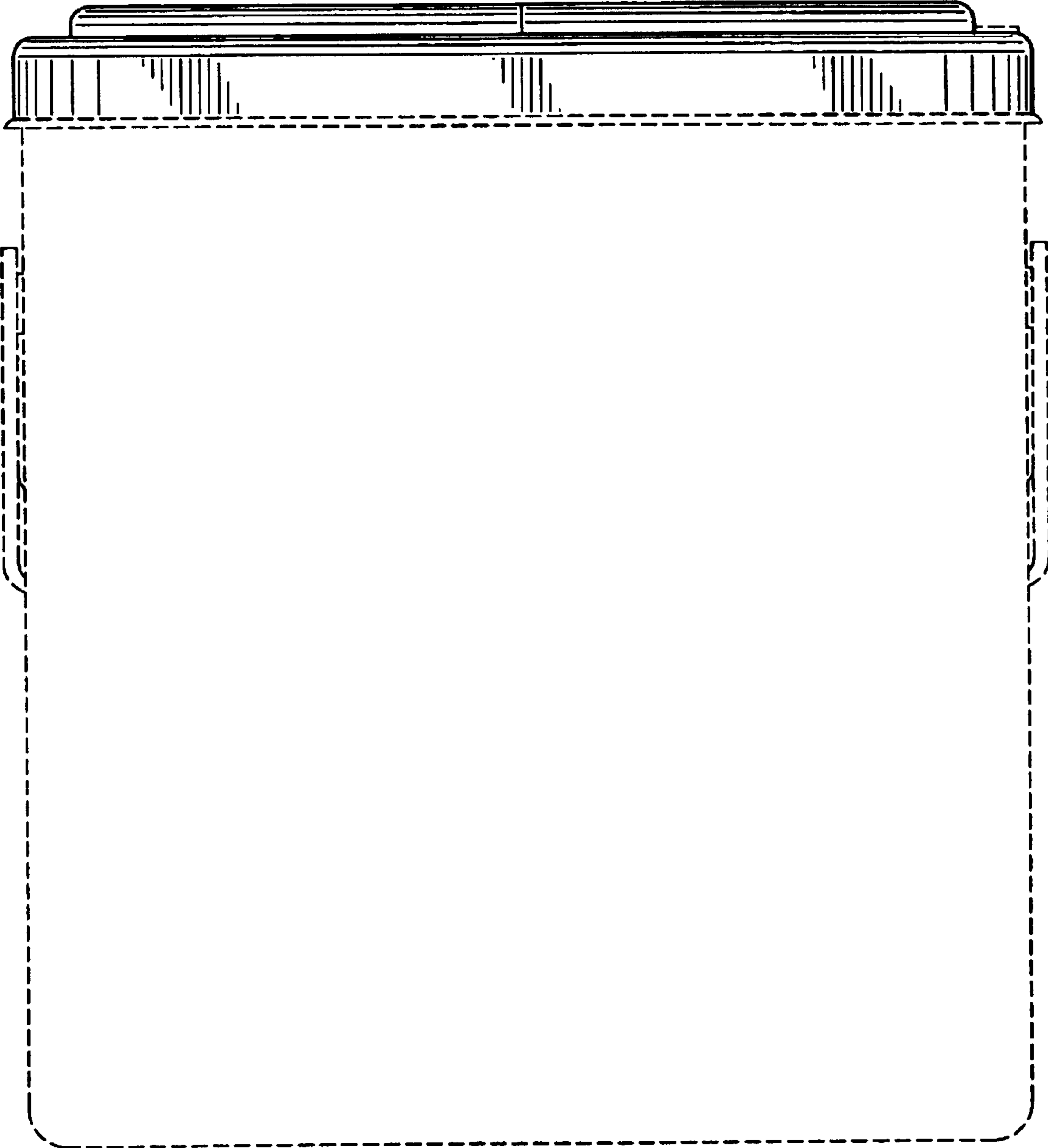


FIG. 22

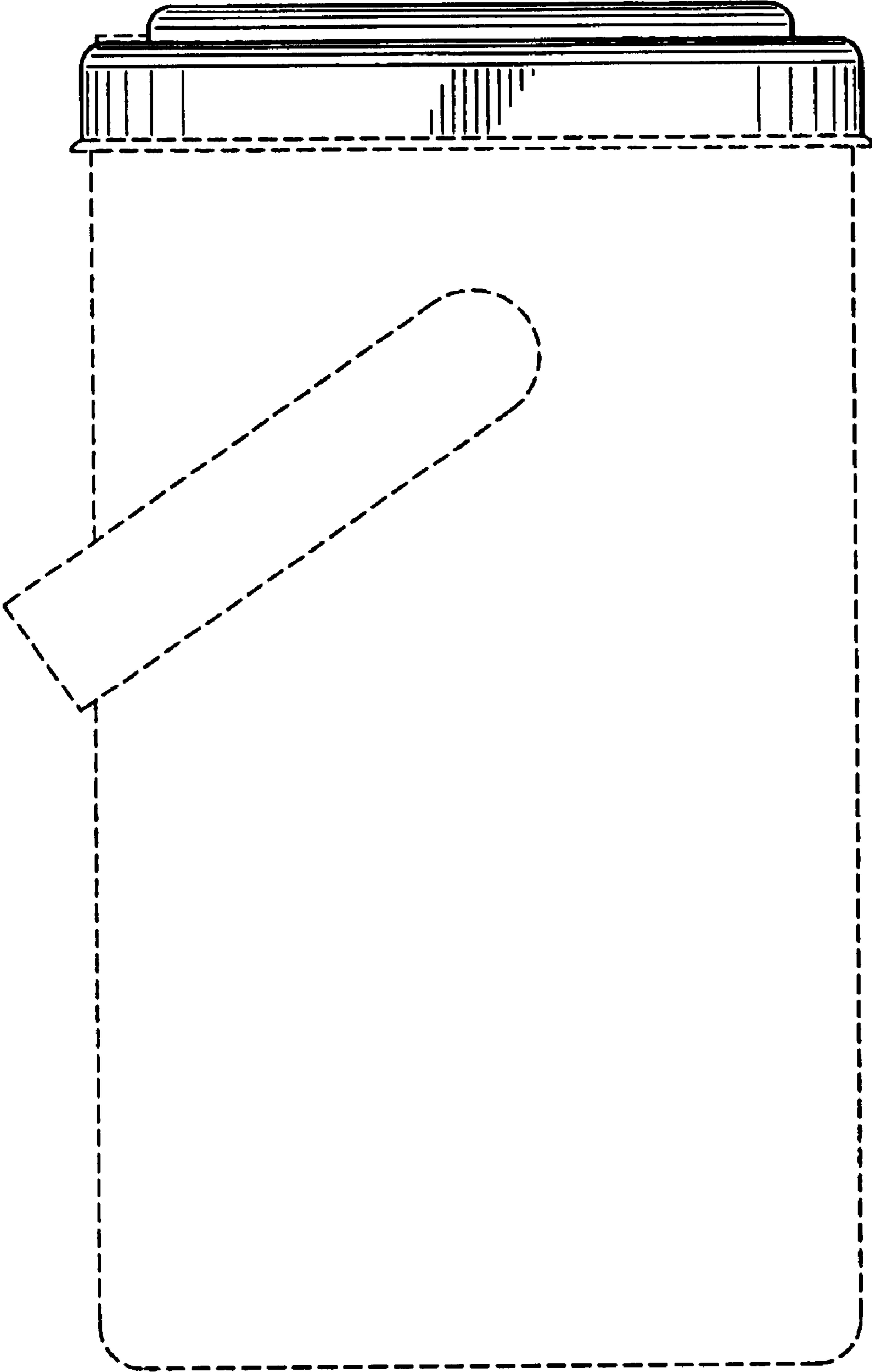


FIG. 23

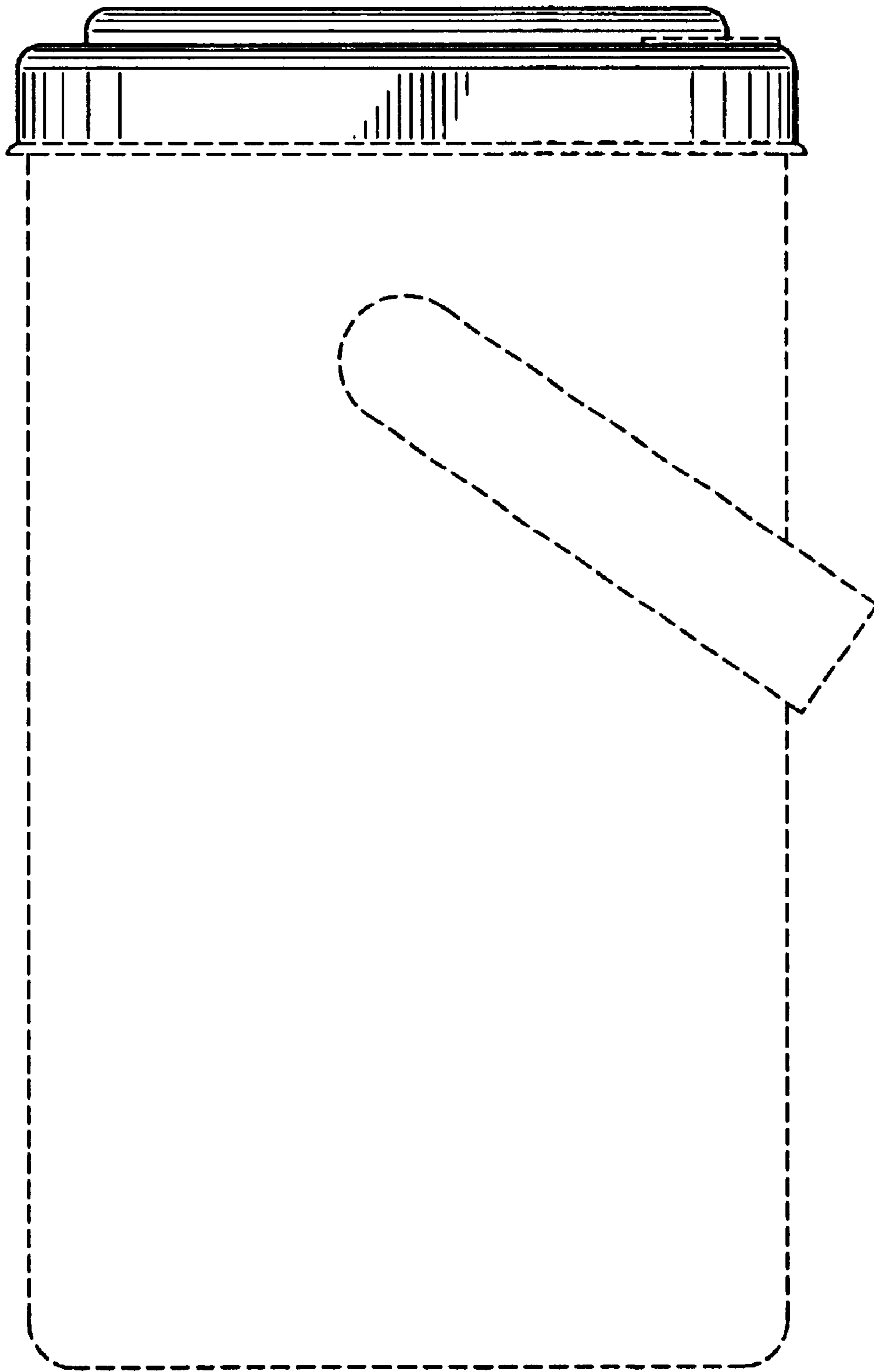


FIG. 24

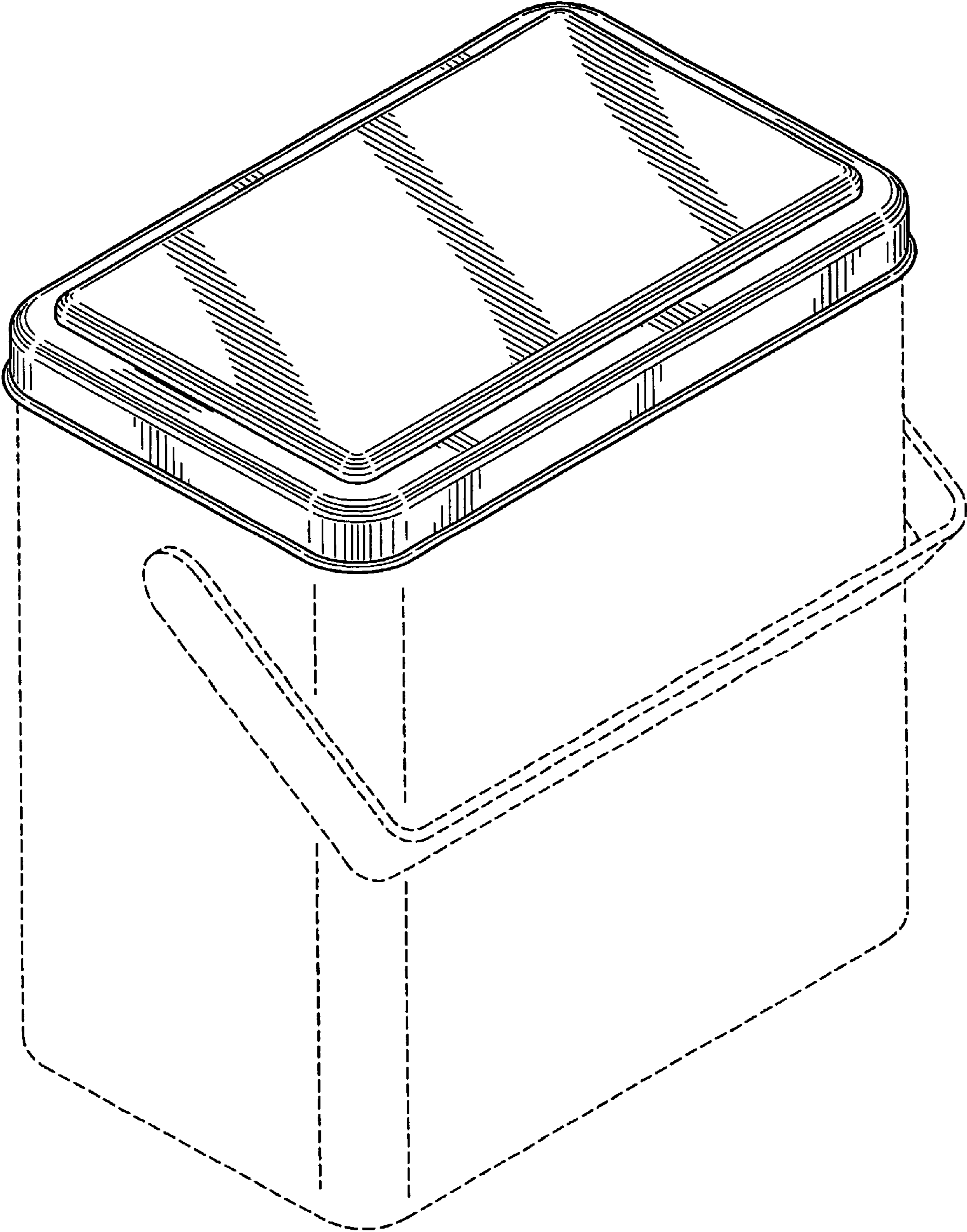


FIG. 25

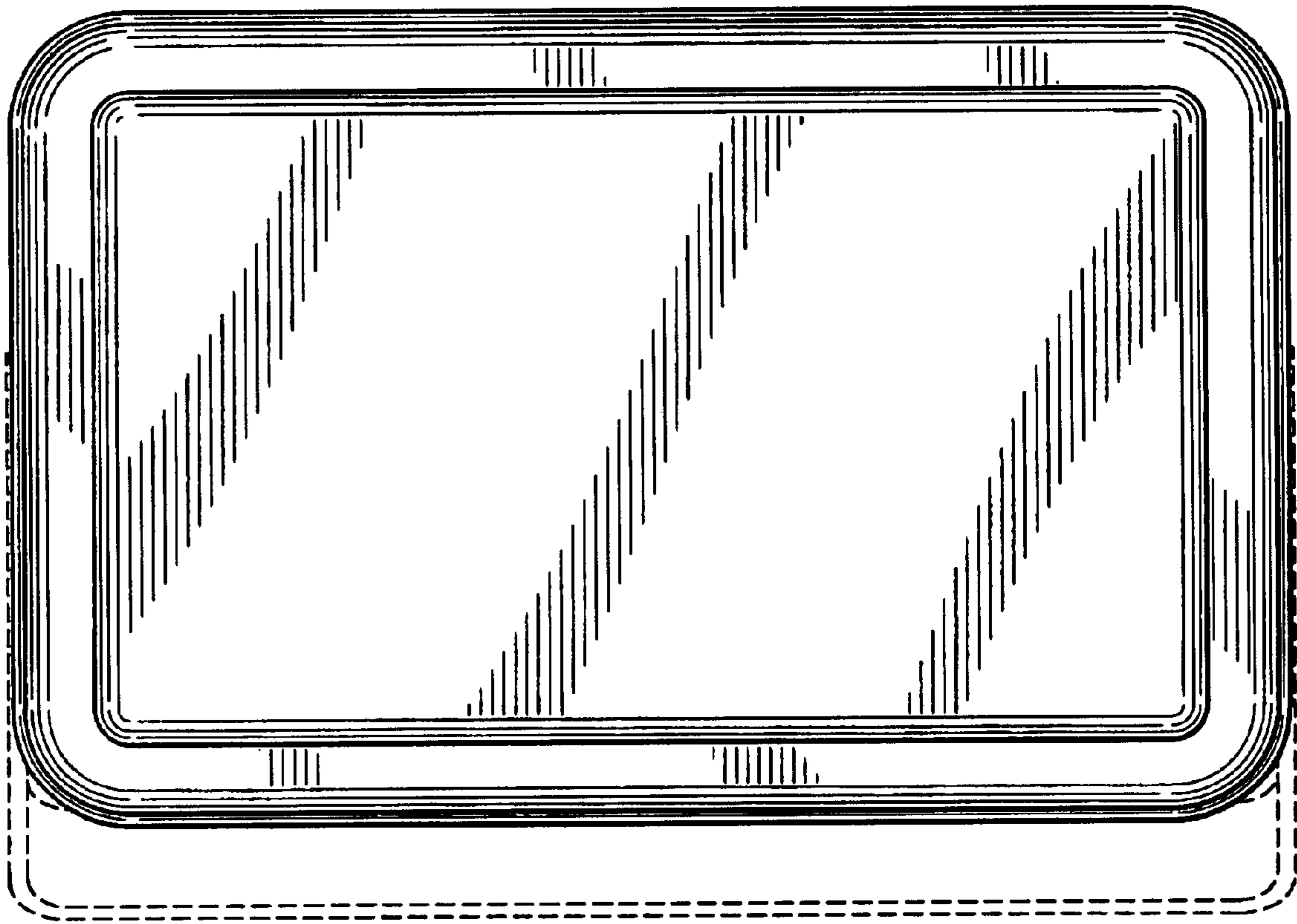


FIG. 26

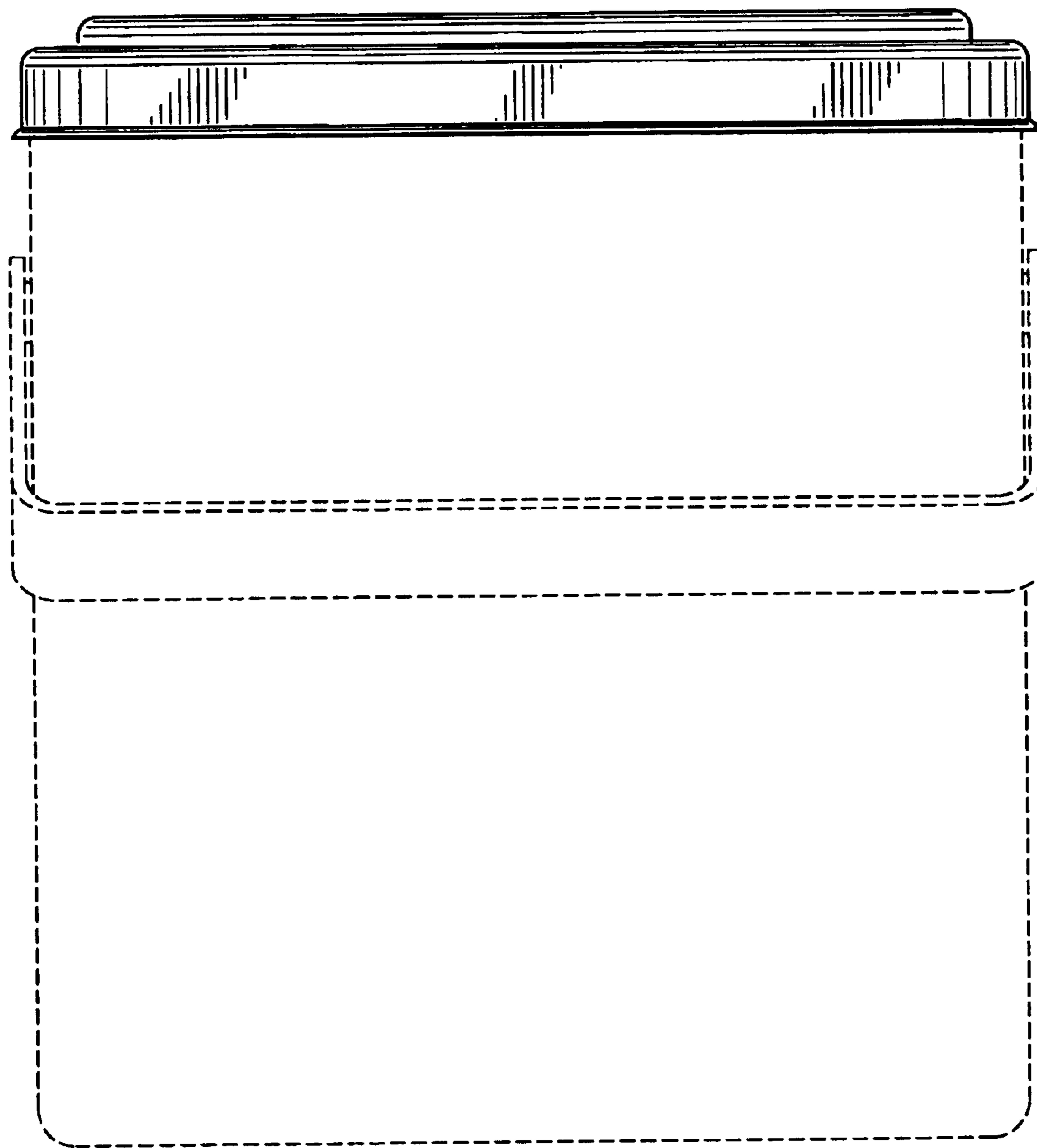


FIG. 27

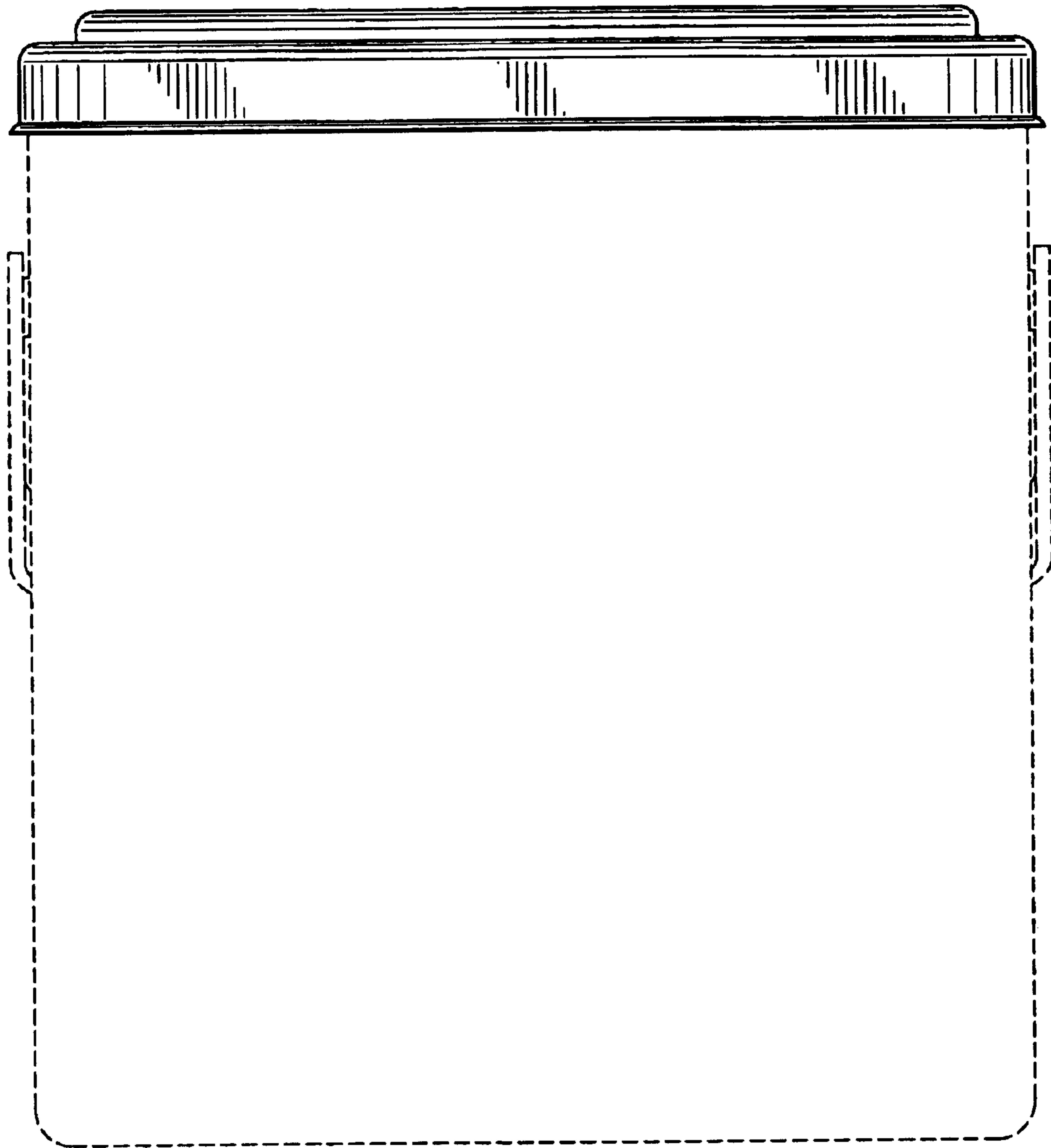


FIG. 28

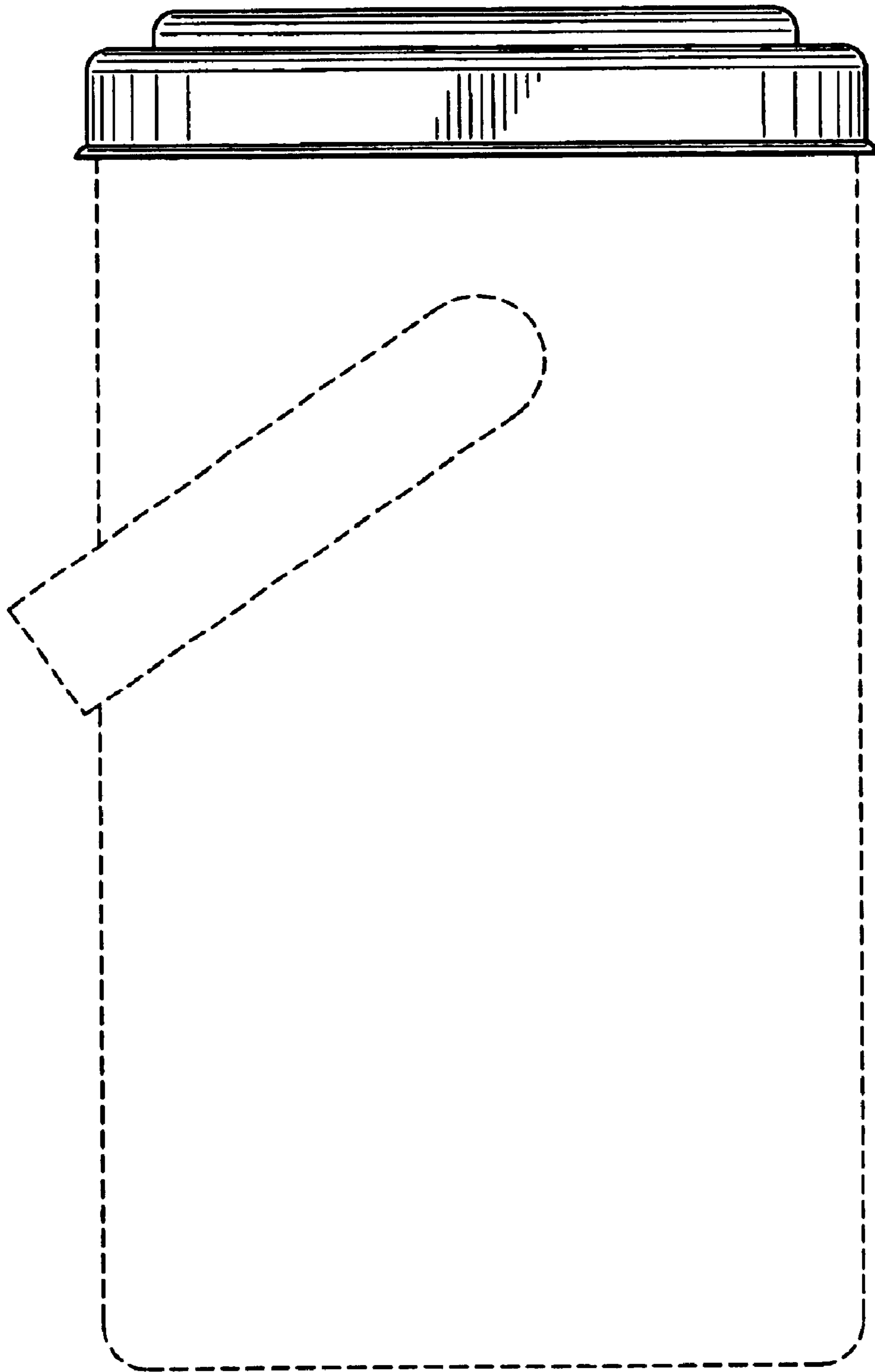


FIG. 29

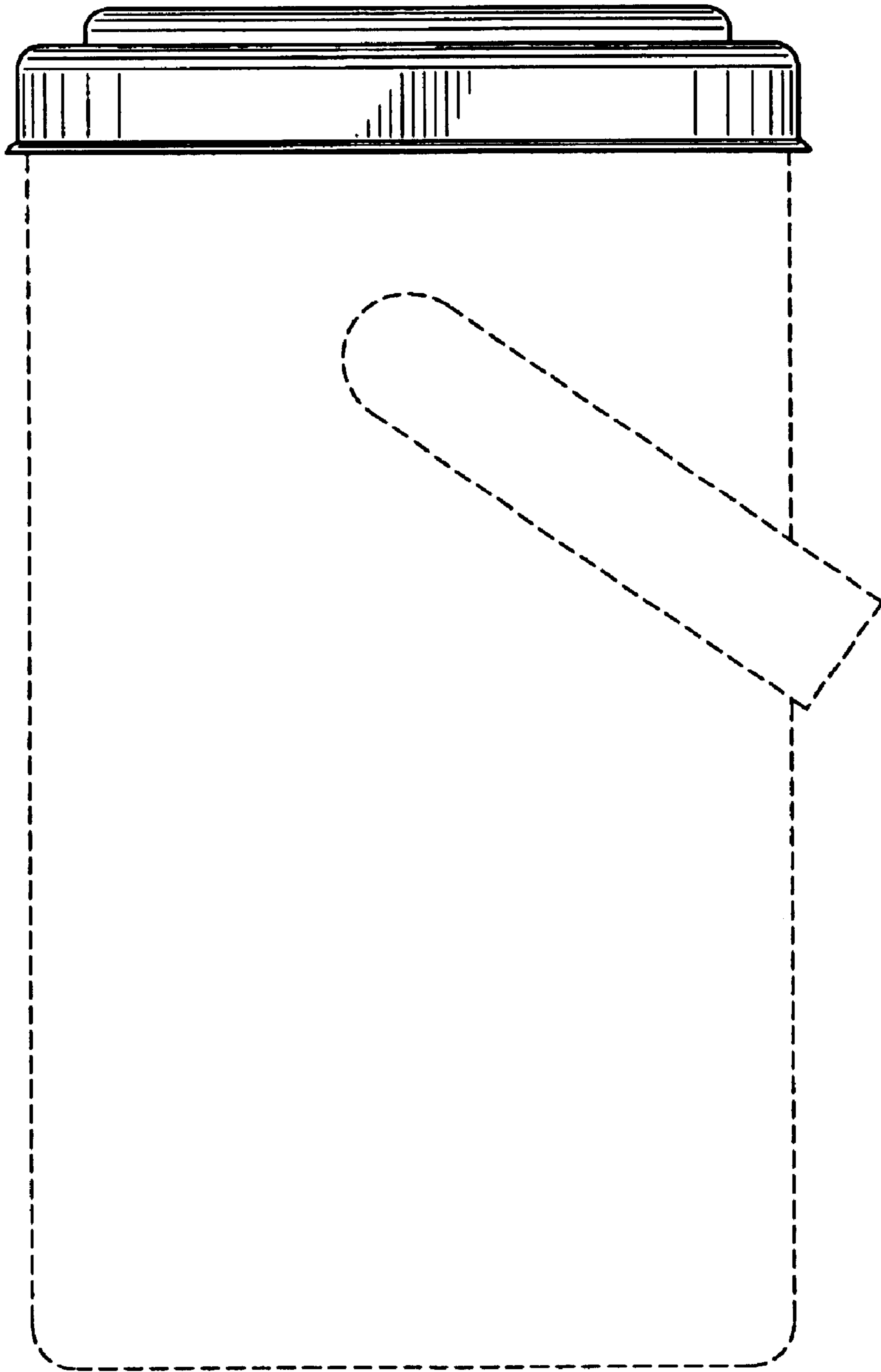


FIG. 30

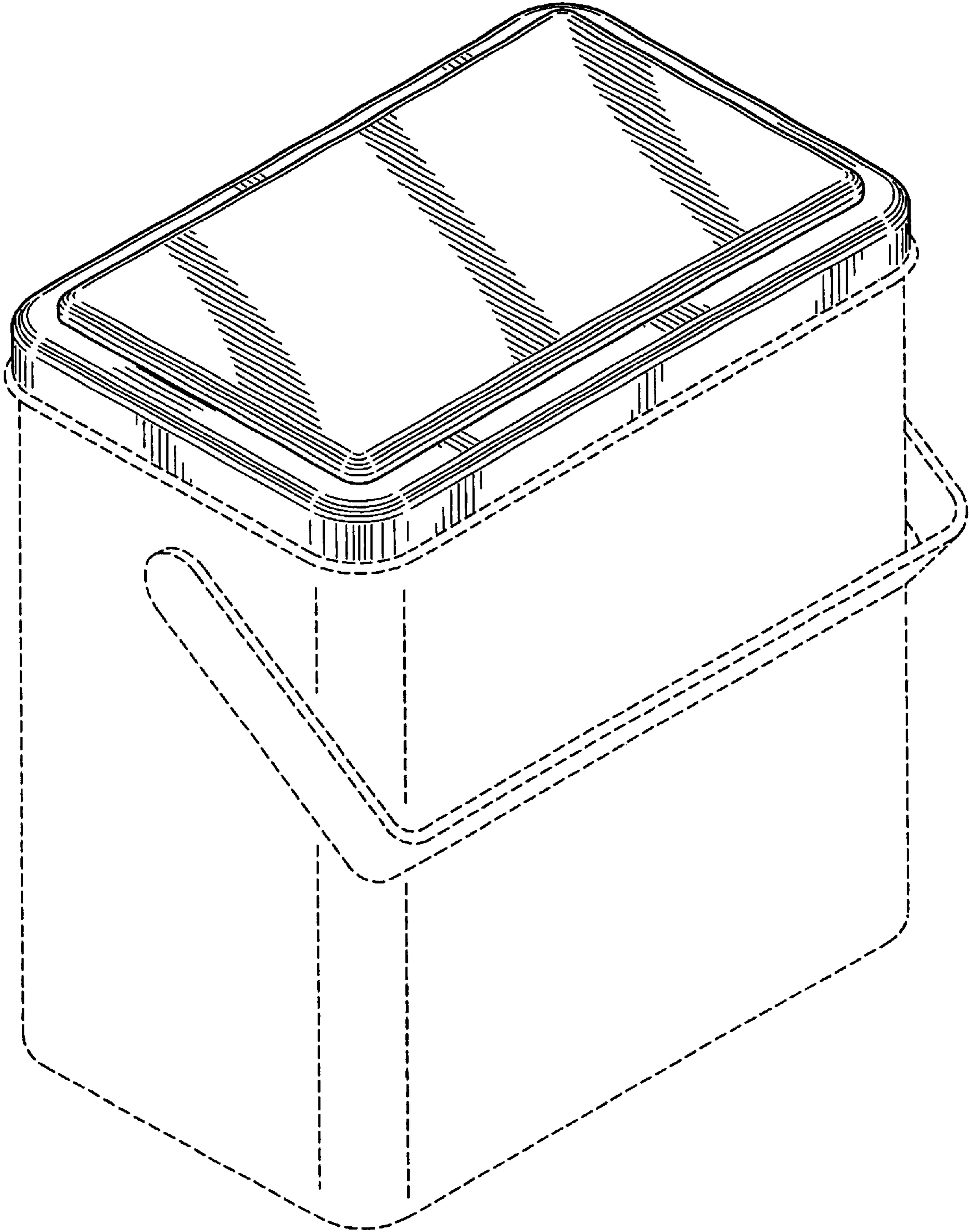


FIG. 31

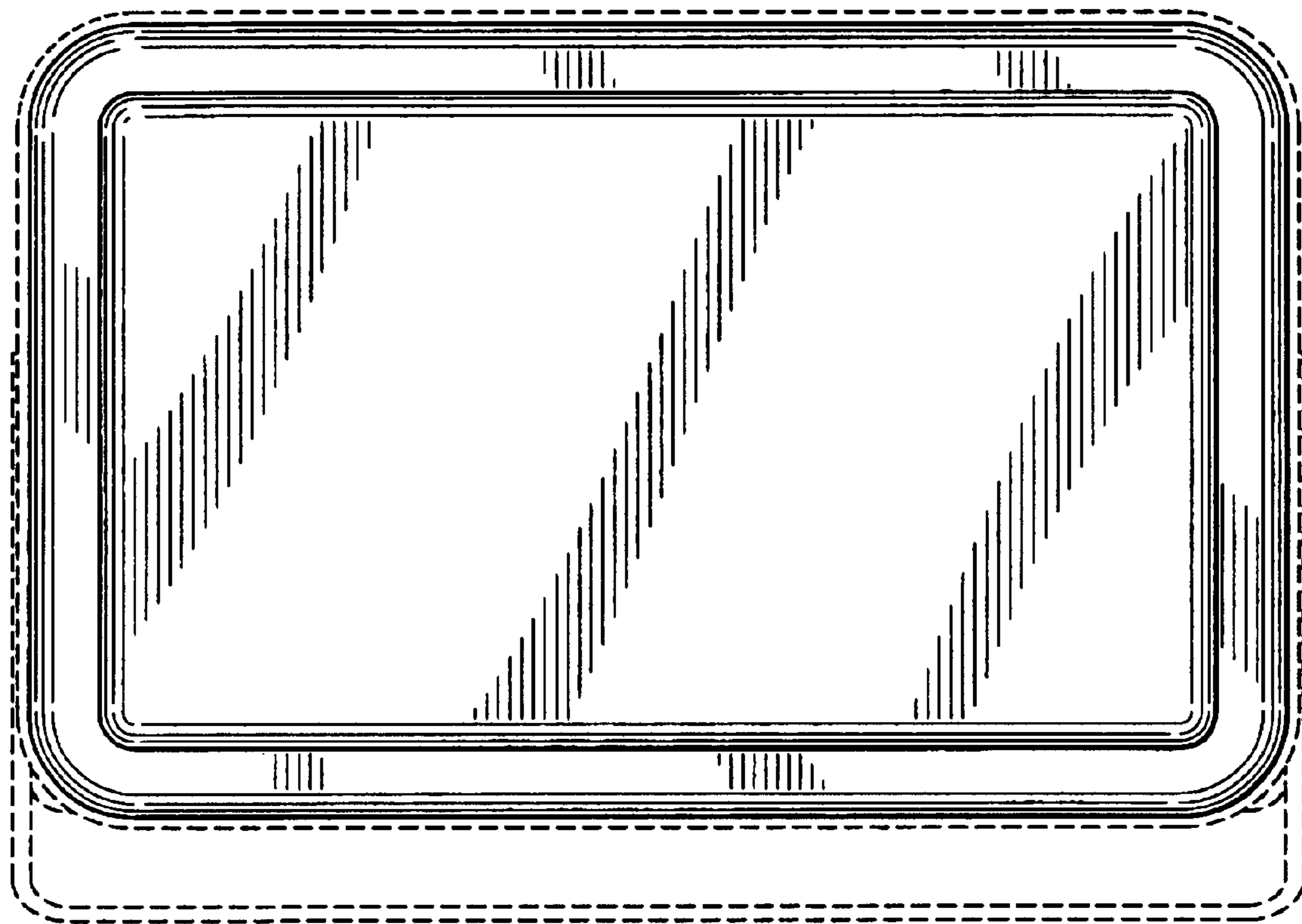


FIG. 32

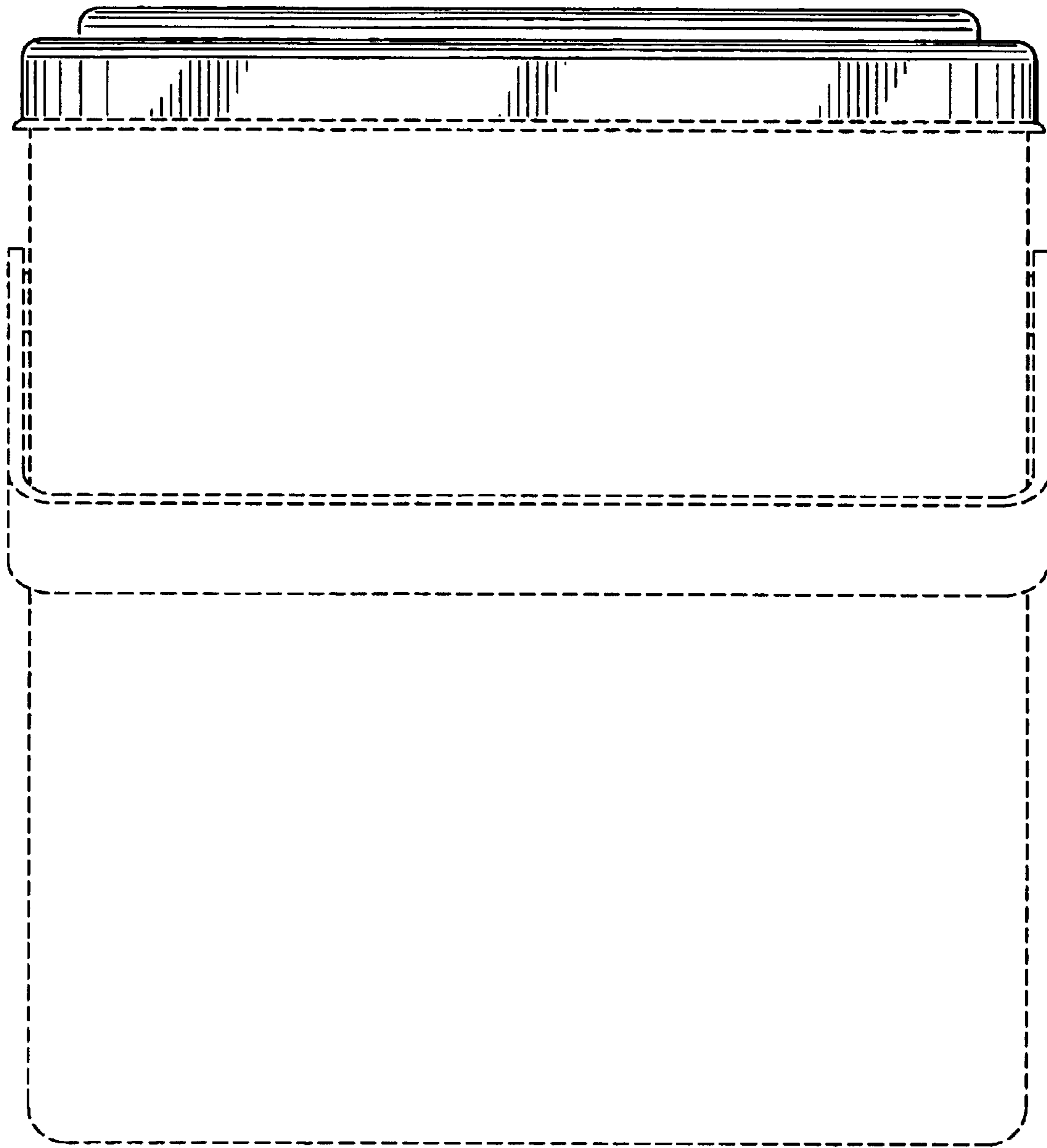


FIG. 33

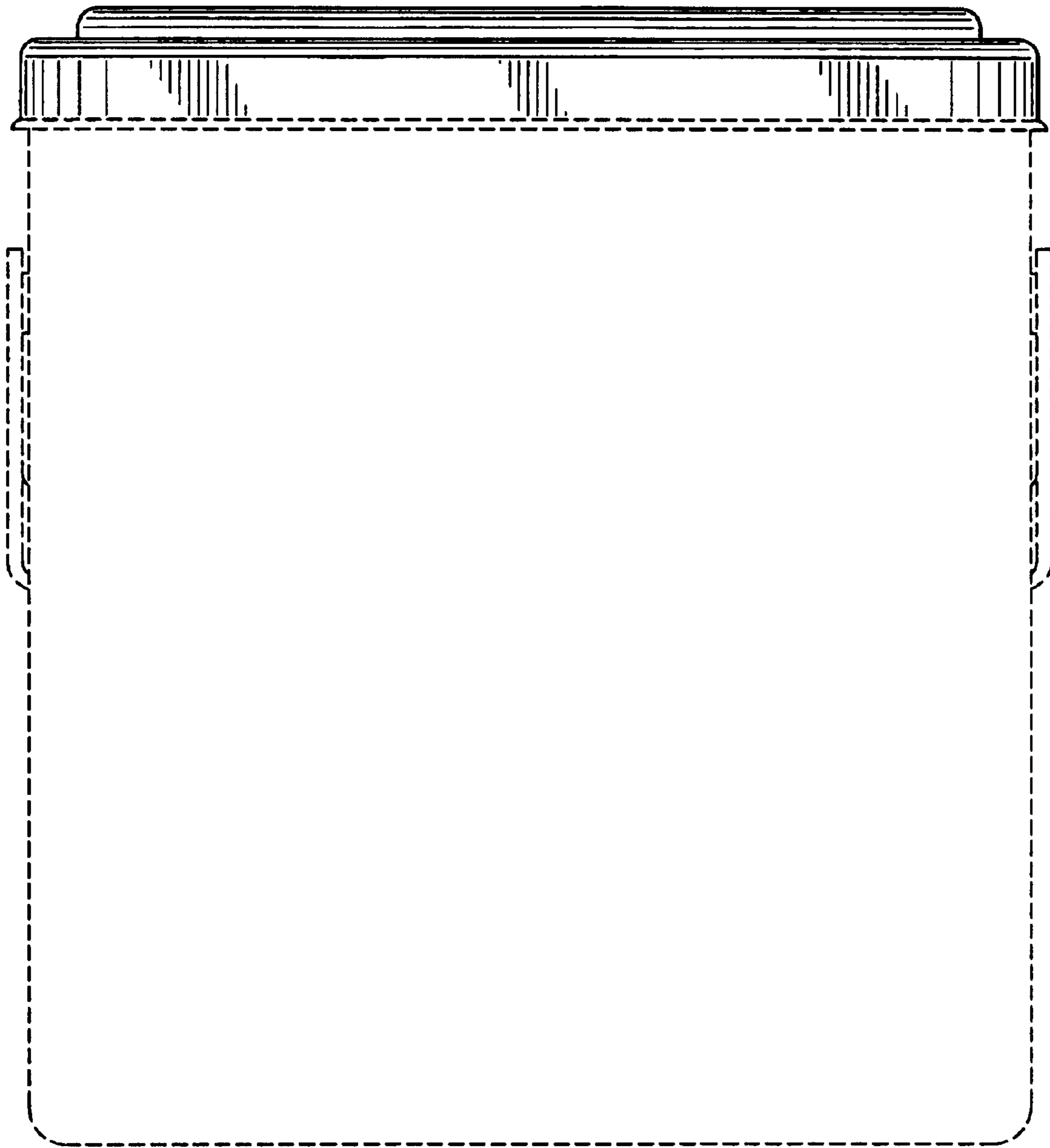


FIG. 34

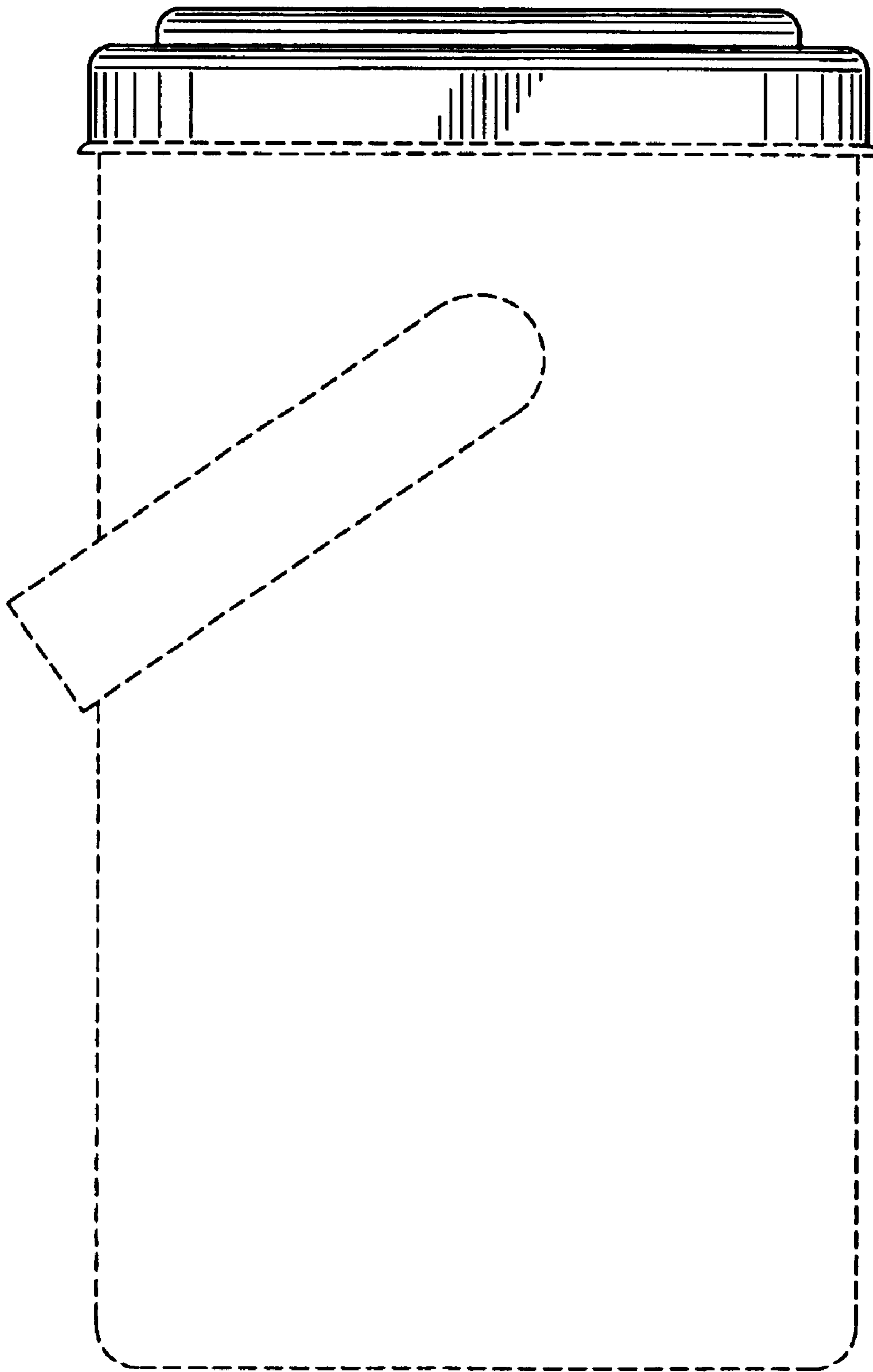


FIG. 35

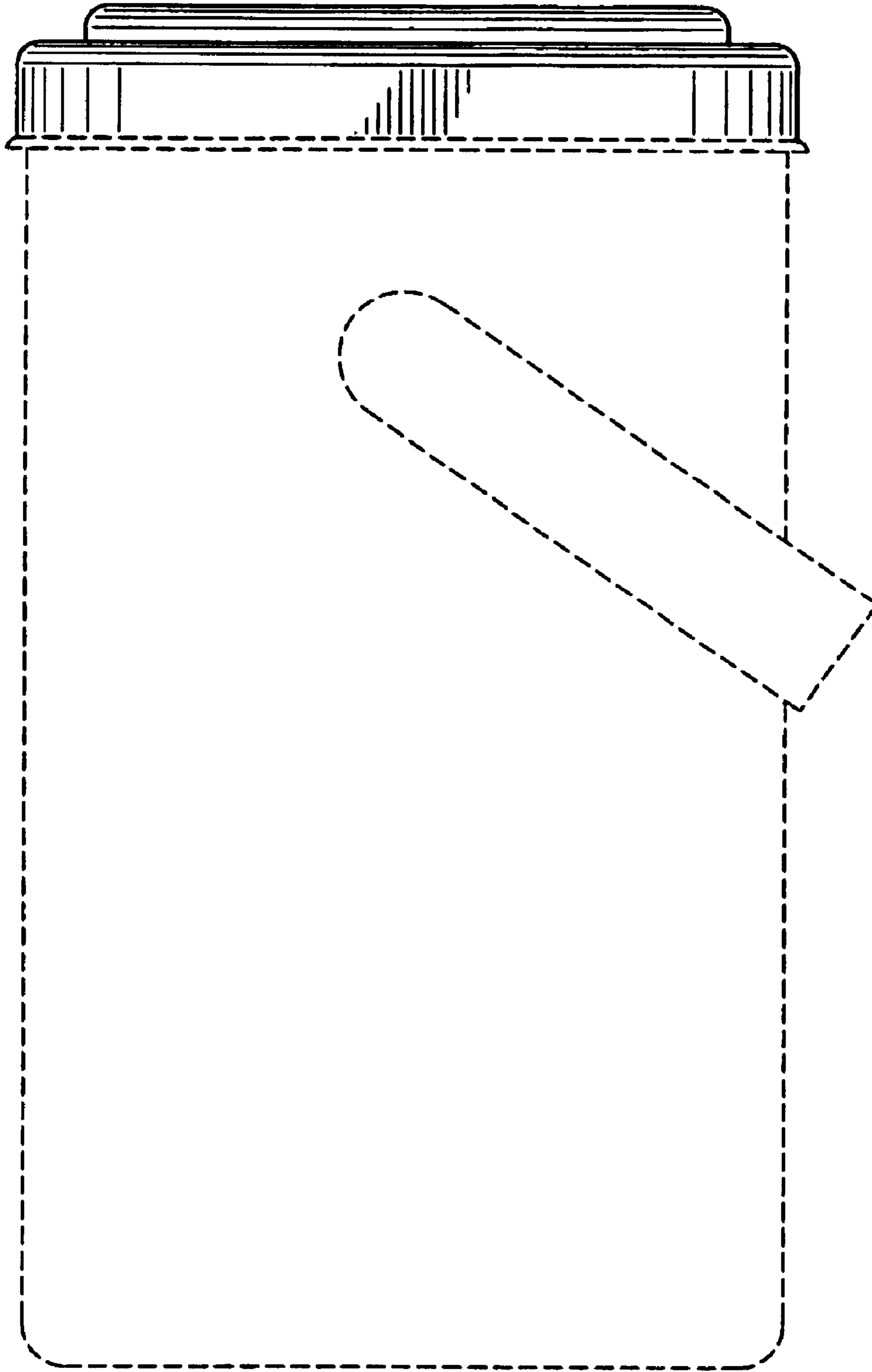


FIG. 36

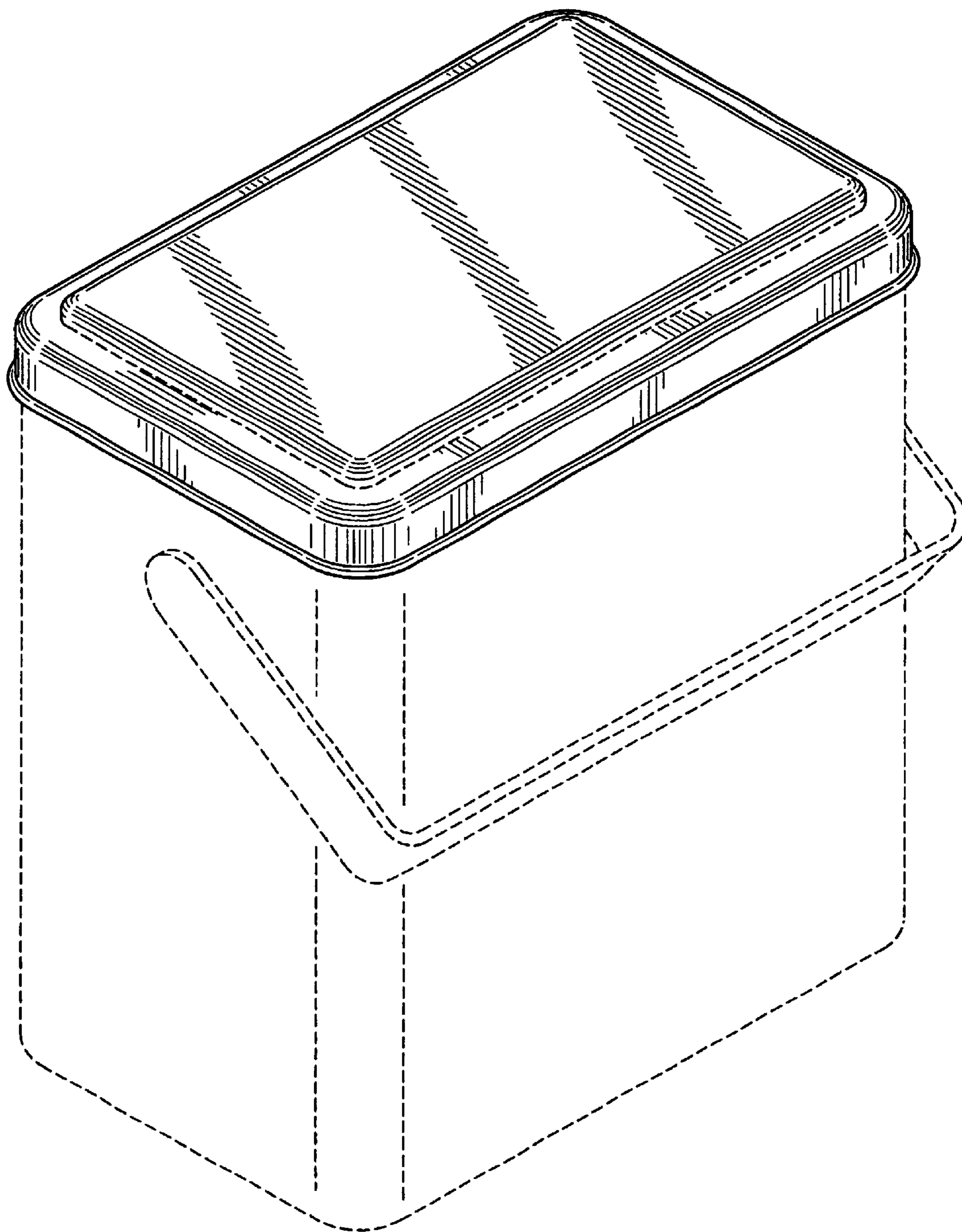


FIG. 37

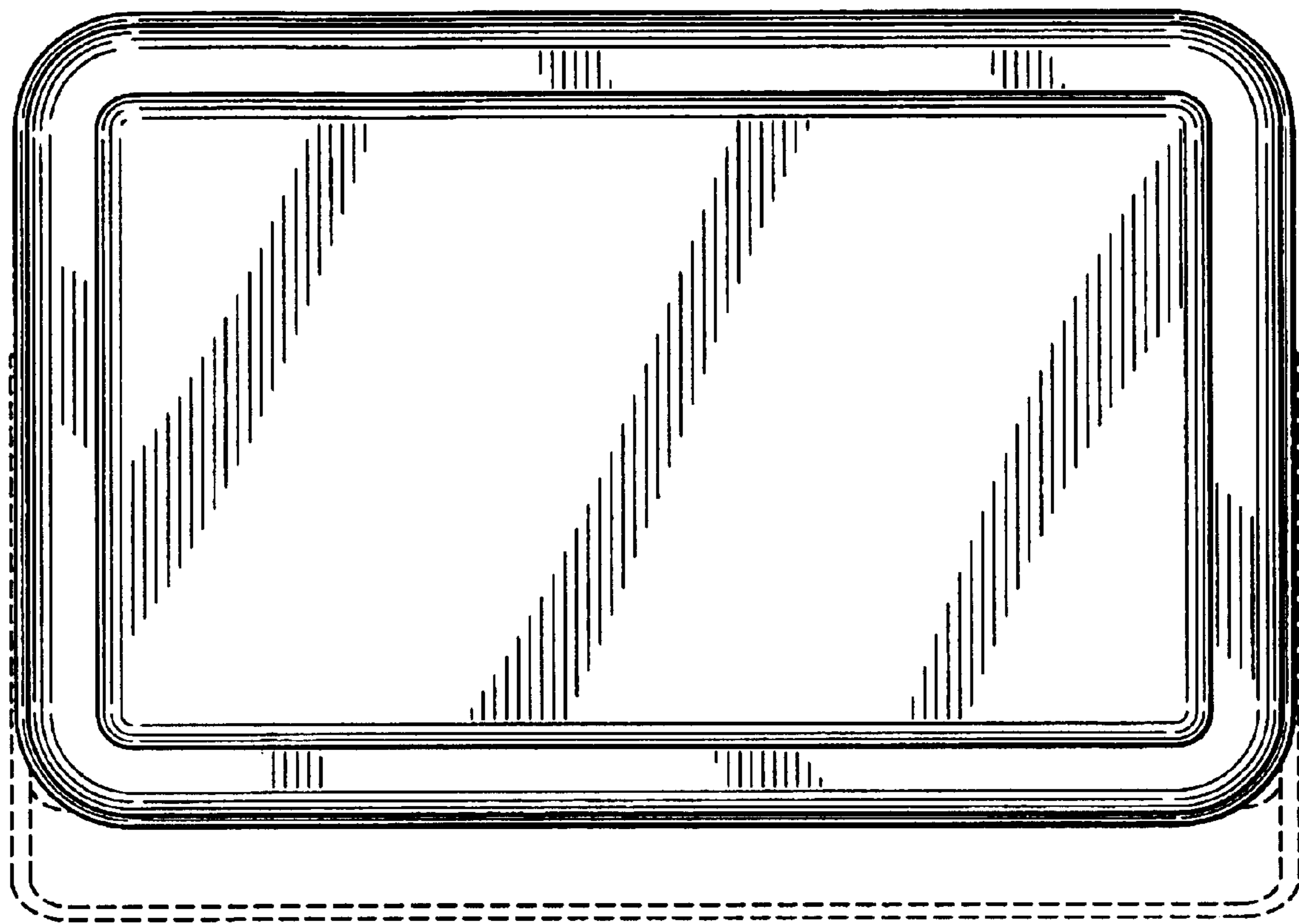


FIG. 38

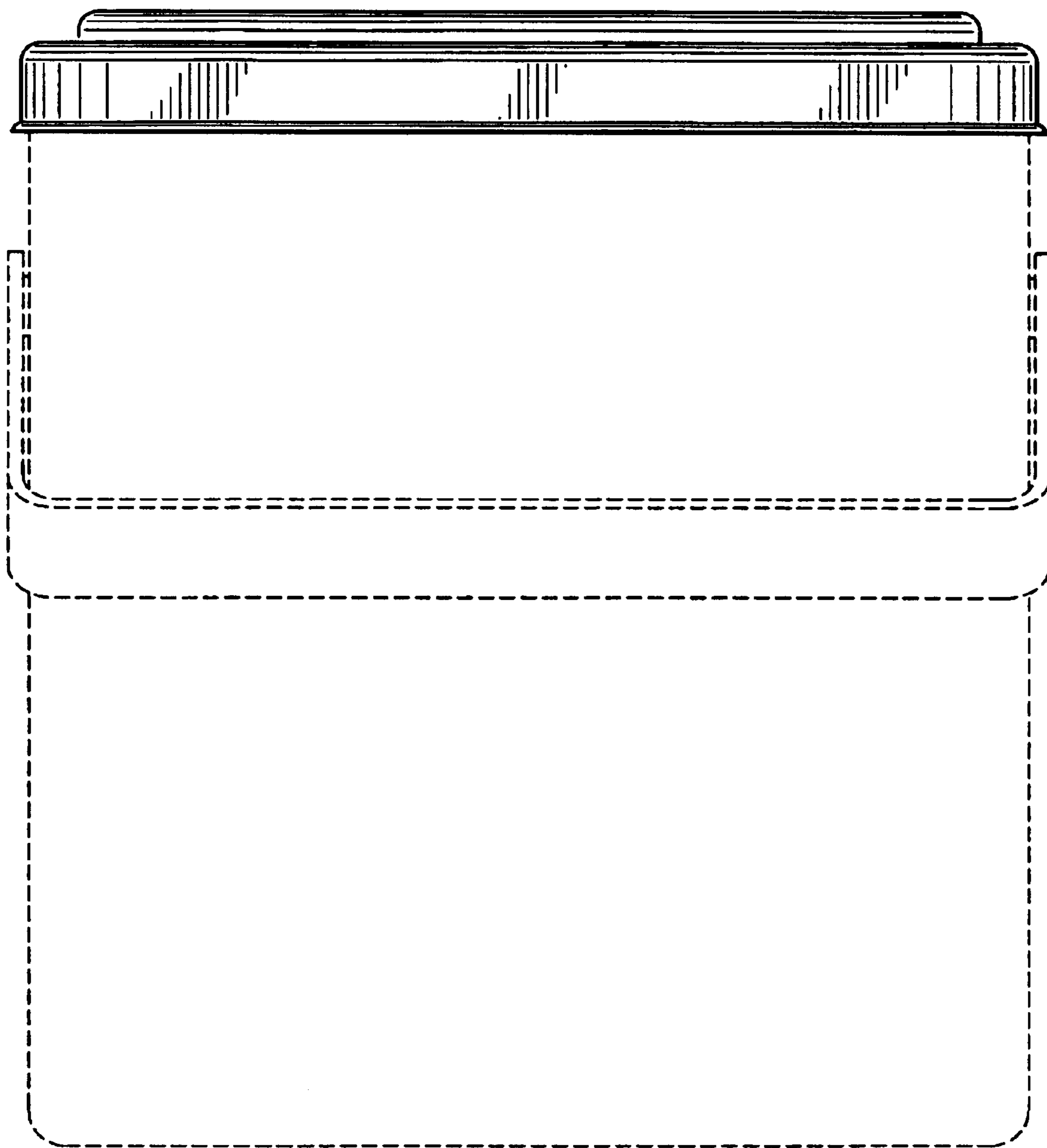


FIG. 39

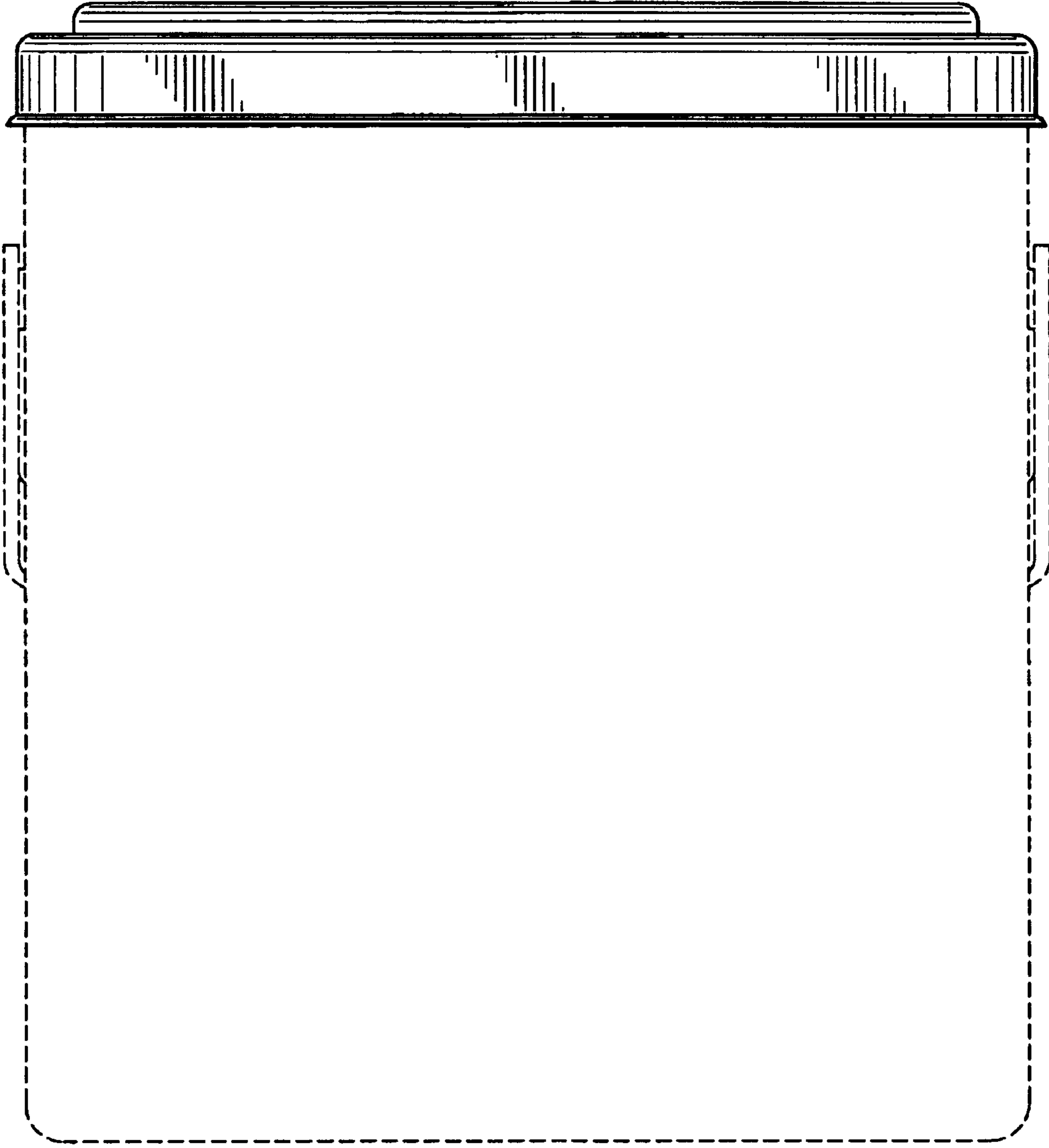


FIG. 40

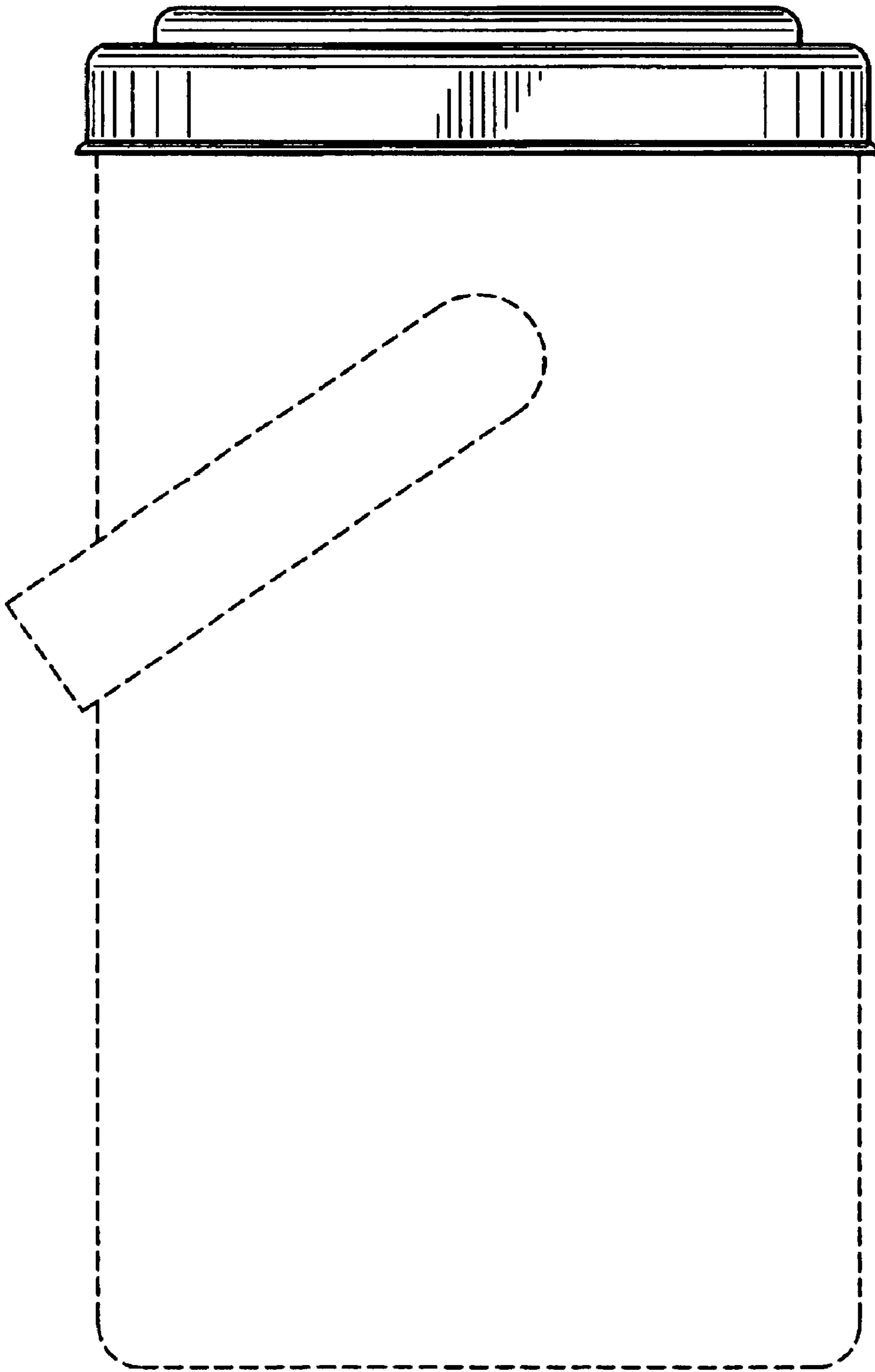


FIG. 41

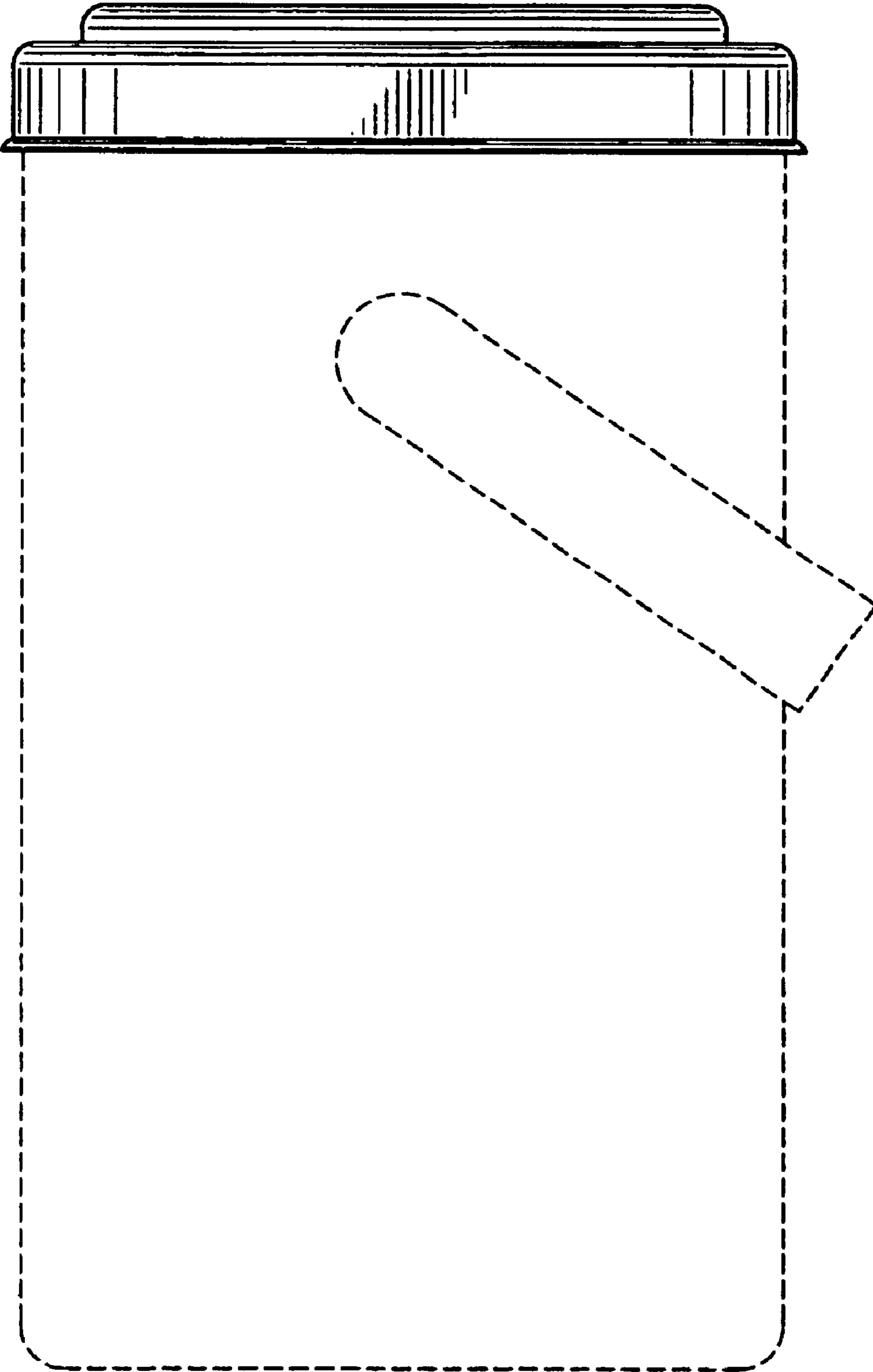


FIG. 42

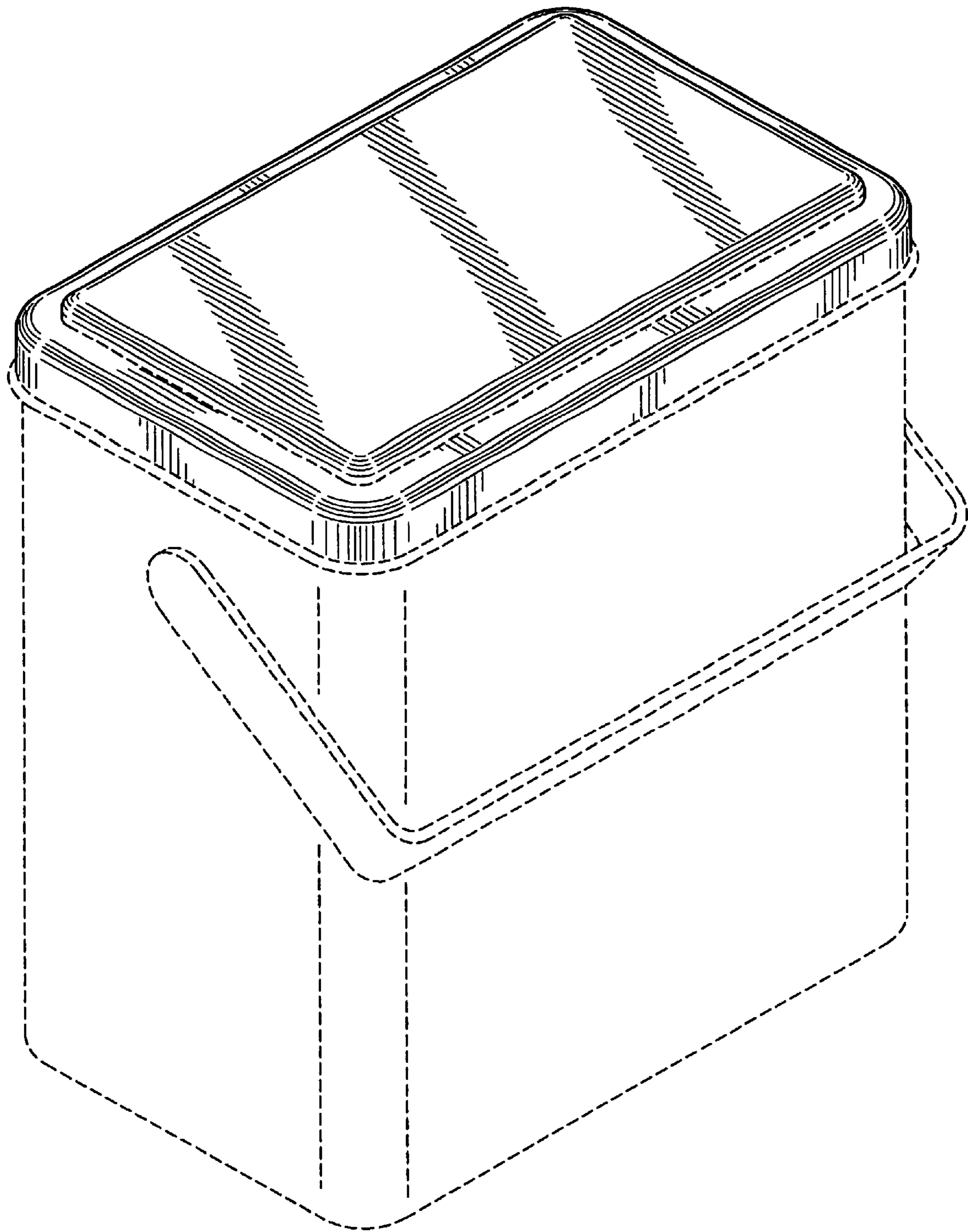


FIG. 43

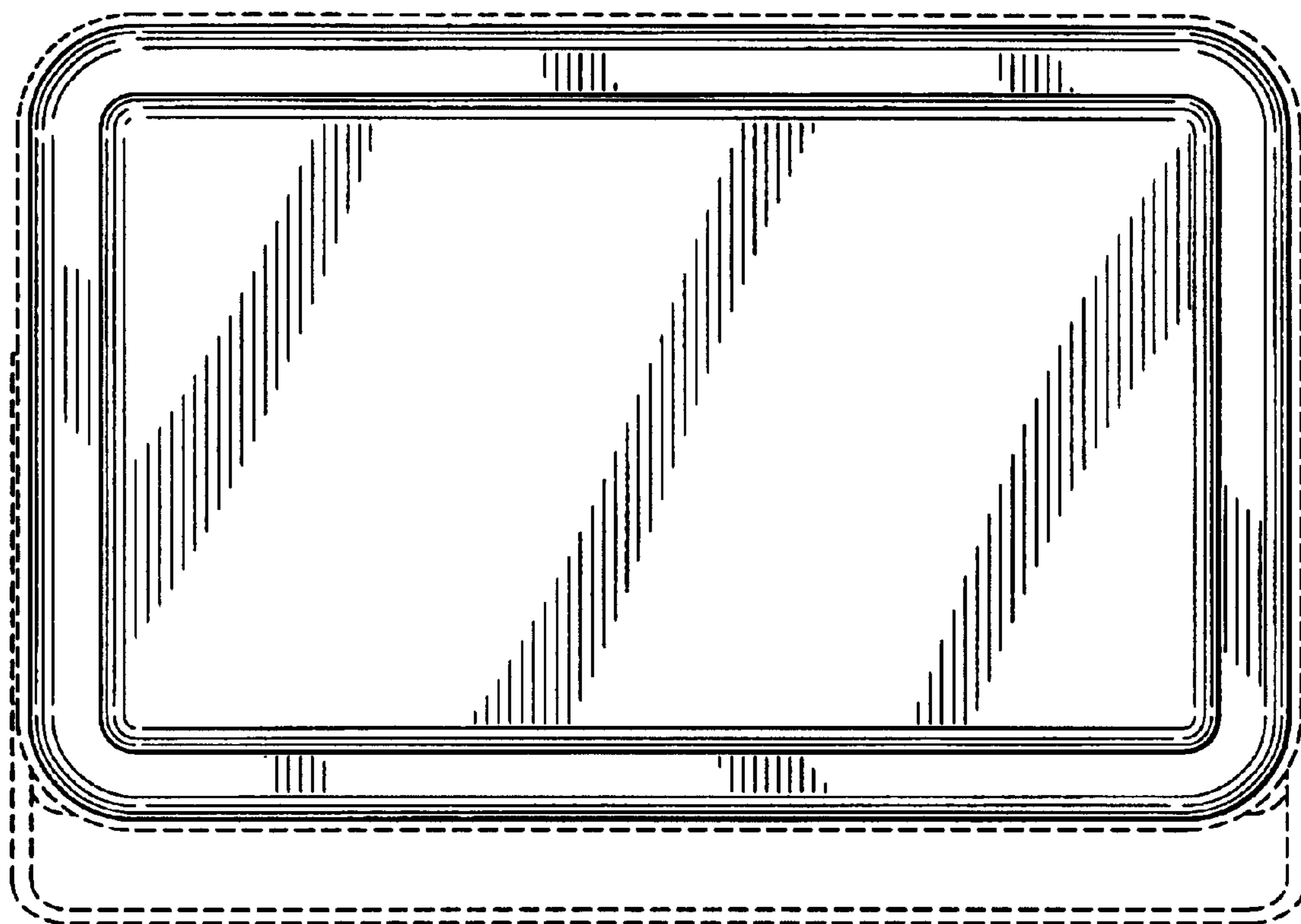


FIG. 44

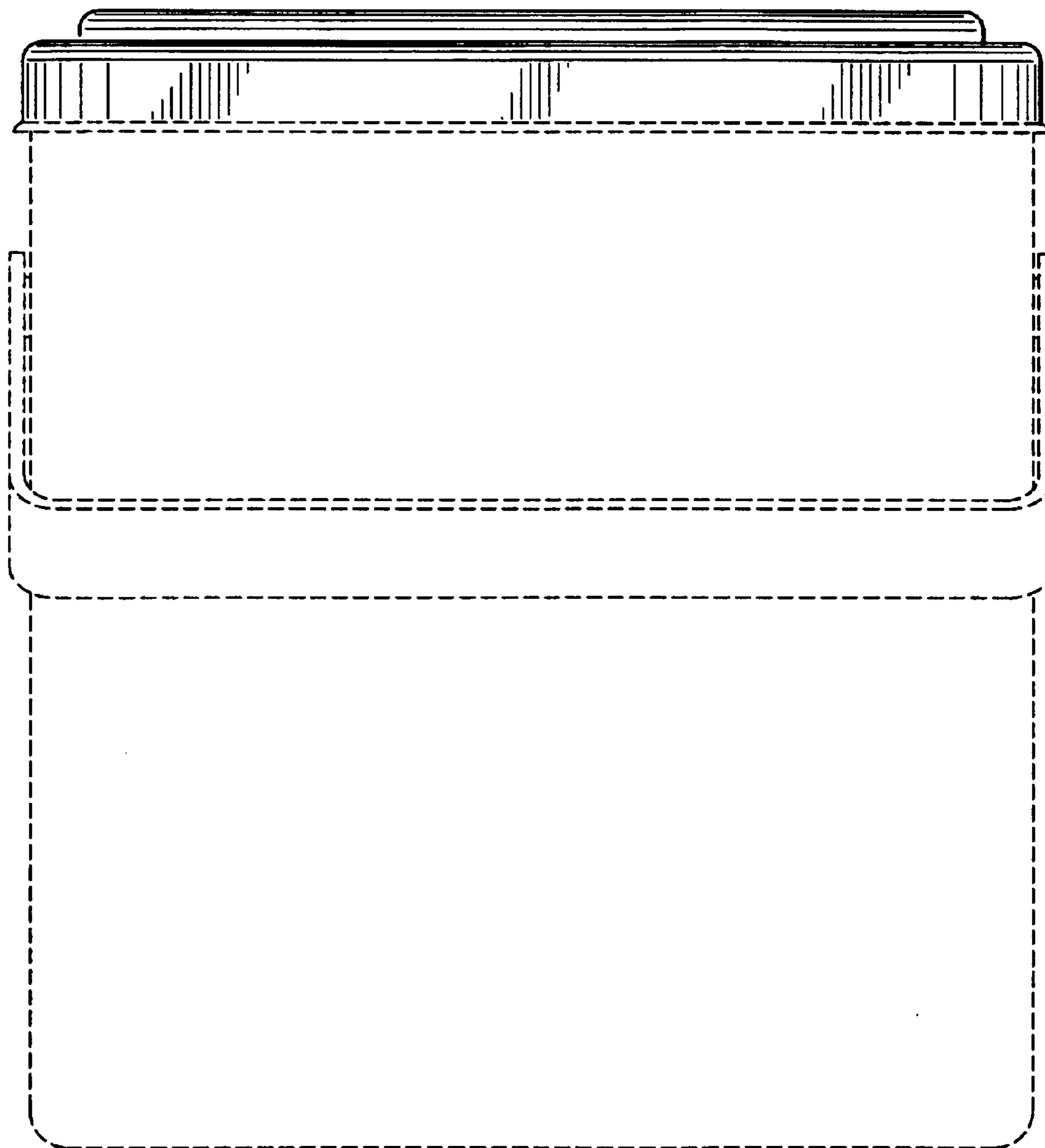


FIG. 45

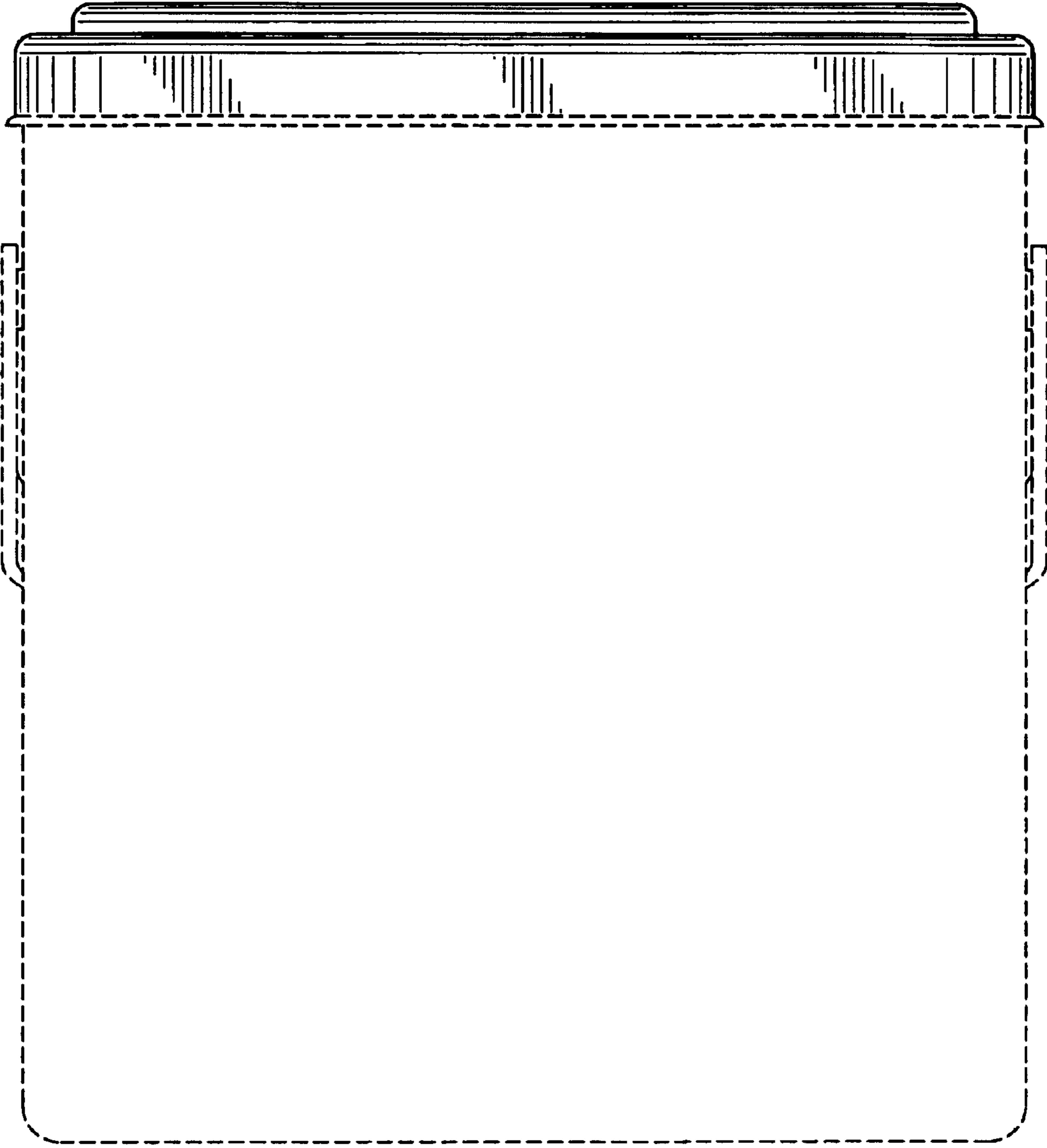


FIG. 46

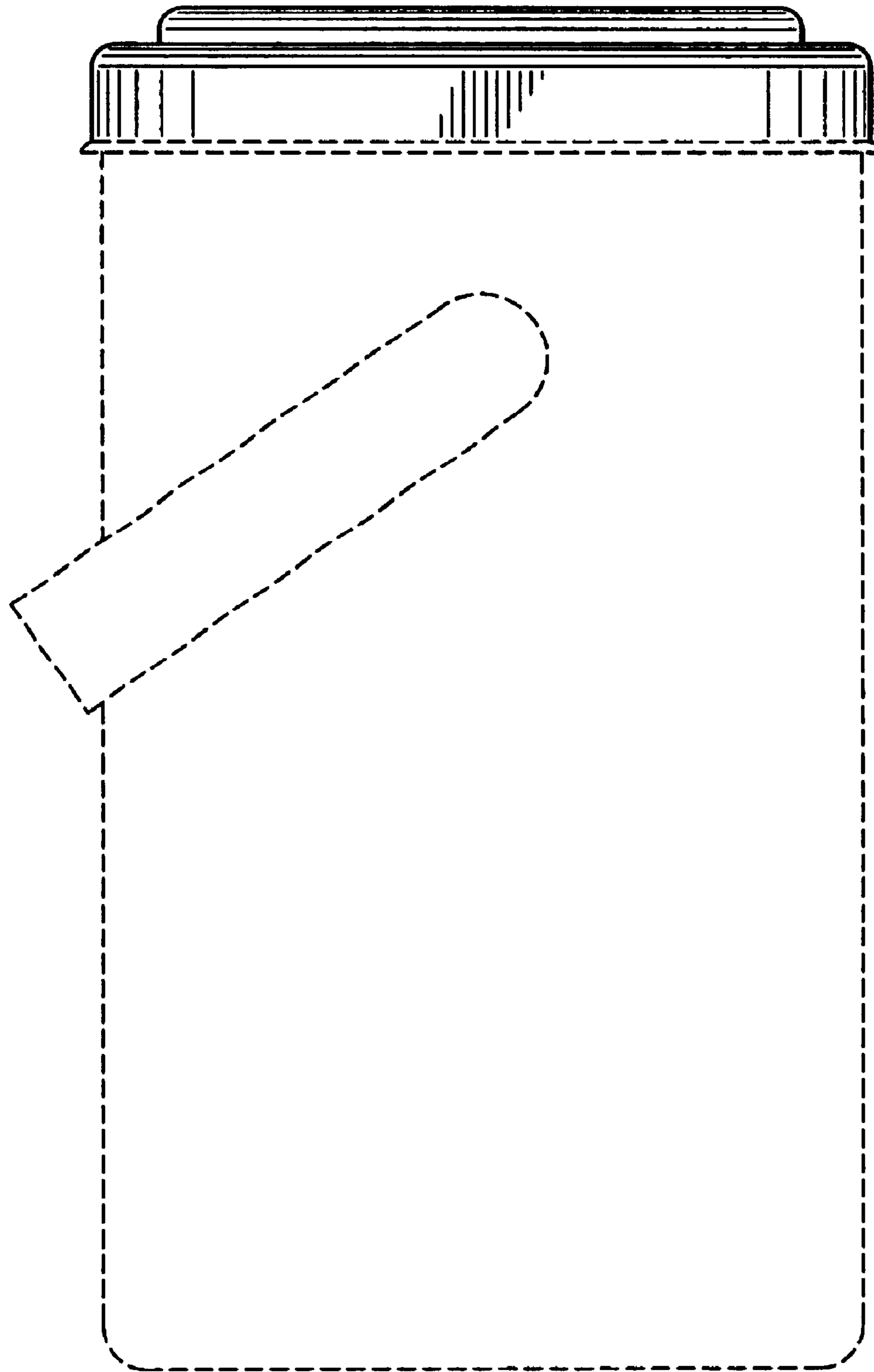


FIG. 47

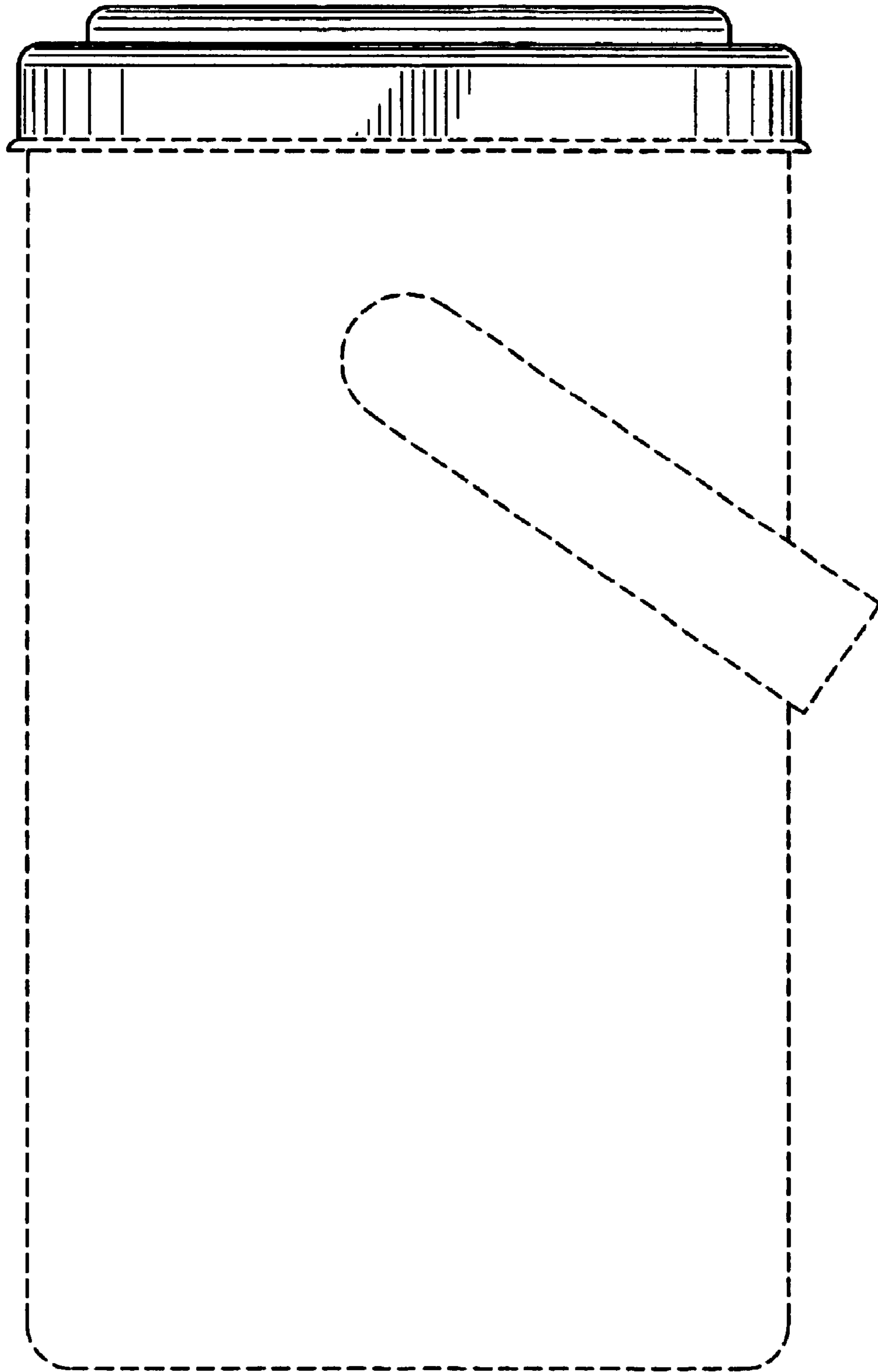


FIG. 48