



US00D521378S

(12) **United States Design Patent**  
**Reid**

(10) **Patent No.:** **US D521,378 S**

(45) **Date of Patent:** **\*\* May 23, 2006**

(54) **BOX CONTAINER FOR A BAG**

(75) Inventor: **Richard J. Reid**, Broadford (AU)

(73) Assignee: **Visy R & D Pty Ltd** (AU)

(\*\*) Term: **14 Years**

(21) Appl. No.: **29/213,116**

(22) Filed: **Sep. 14, 2004**

(51) **LOC (8) Cl.** ..... **09-03**

(52) **U.S. Cl.** ..... **D9/433**

(58) **Field of Classification Search** ..... D9/414,  
D9/416, 417, 430-433; 229/117.3, 109, 120,  
229/191, 918, 117.35; 220/495.01, 495.03,  
220/495.06

See application file for complete search history.

(56) **References Cited**

**U.S. PATENT DOCUMENTS**

3,343,744	A	*	9/1967	Morell et al.	.....	229/149
4,056,223	A	*	11/1977	Williams	.....	229/160
5,002,224	A	*	3/1991	Muise	.....	229/169
5,289,970	A	*	3/1994	McClure	.....	229/143
5,562,227	A	*	10/1996	Takezawa et al.	.....	229/117.13
5,673,848	A	*	10/1997	Garza	.....	229/191
D395,236	S	*	6/1998	Doi	.....	D9/432

**FOREIGN PATENT DOCUMENTS**

AU 145709 S 9/2001

**OTHER PUBLICATIONS**

U.S. Appl. No. 10/221,073, filed Sep. 9, 2002, Craig Holland.

\* cited by examiner

*Primary Examiner*—Stella Reid

*Assistant Examiner*—Mark A. Goodwin

(74) *Attorney, Agent, or Firm*—Jason A. Bernstein; Powell Goldstein LLP

(57) **CLAIM**

The ornamental design for a box container for a bag, as shown and described.

**DESCRIPTION**

FIG. 1 is a plan view of a box container for a bag showing my new design in assembled condition;

FIG. 2 is a front perspective view thereof in unassembled condition;

FIG. 3 is a rear perspective view thereof;

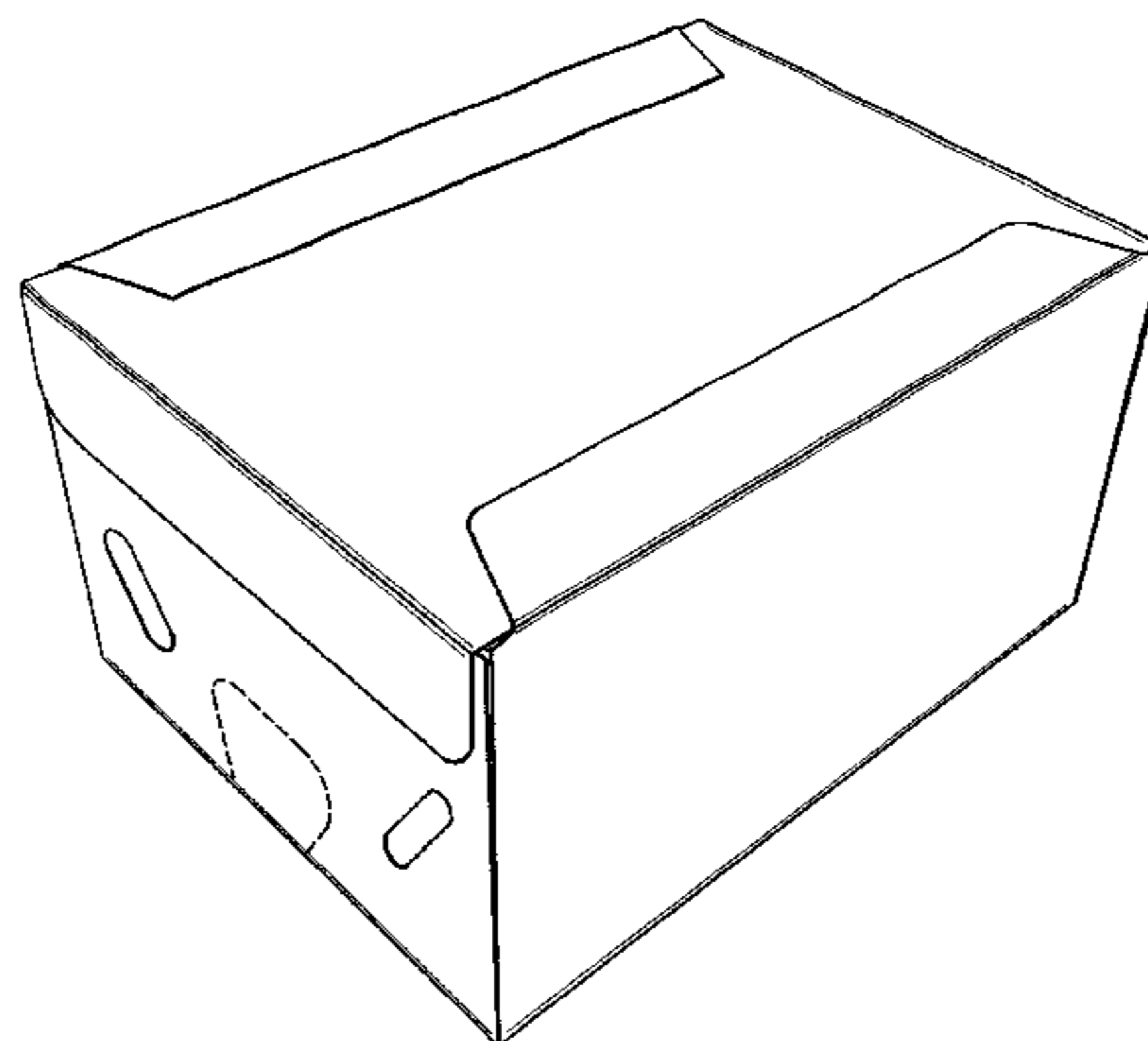
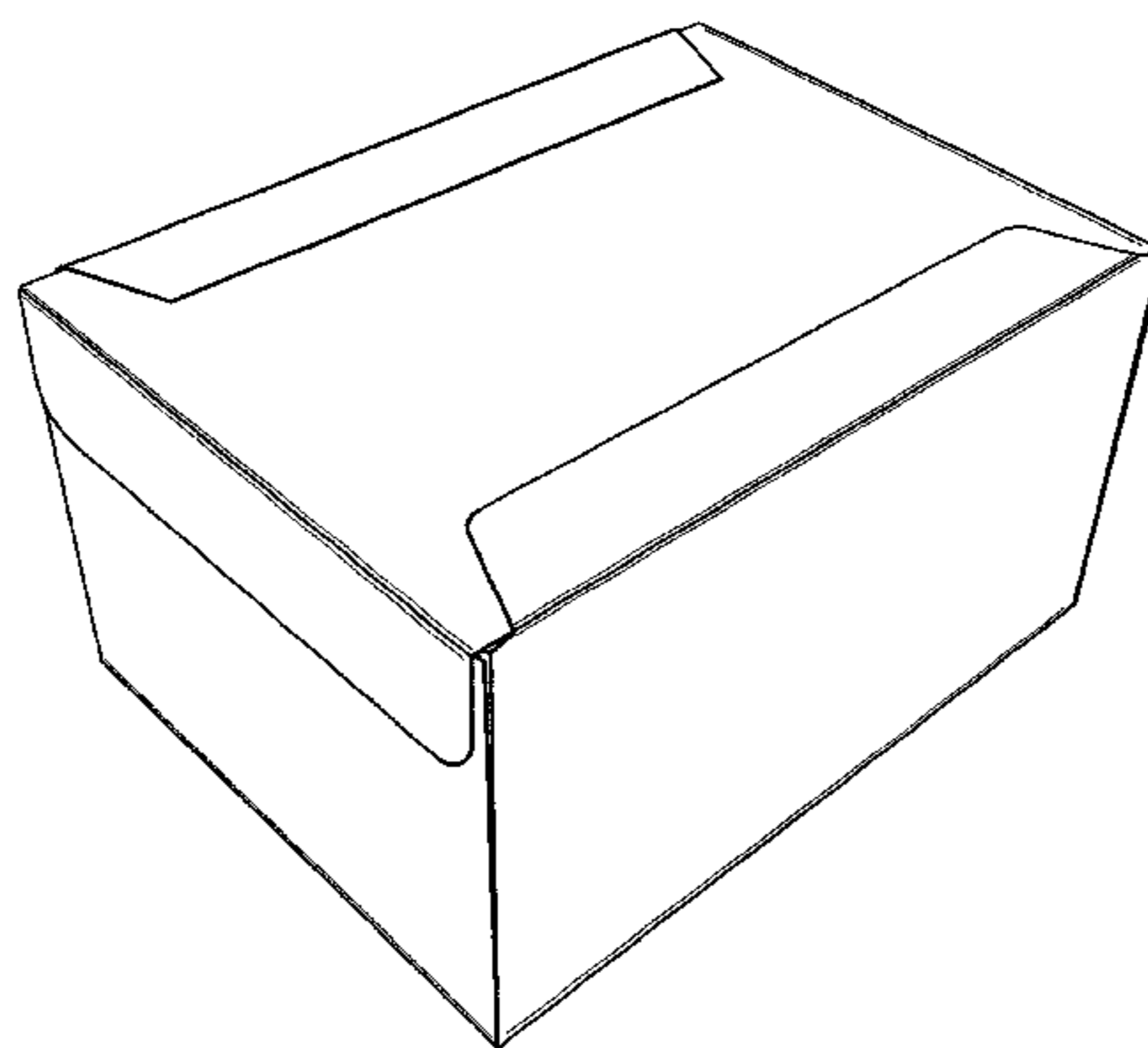
FIG. 4 is a plan view of a second embodiment of a box container for a bag showing my new design in unassembled condition;

FIG. 5 is a front perspective view thereof in assembled condition; and,

FIG. 6 is a rear perspective view thereof.

The straight broken lines shown in FIGS. 1 and 4 represent folding areas, the triangular broken line in FIGS. 4 and 5 represents a perforation.

**1 Claim, 6 Drawing Sheets**



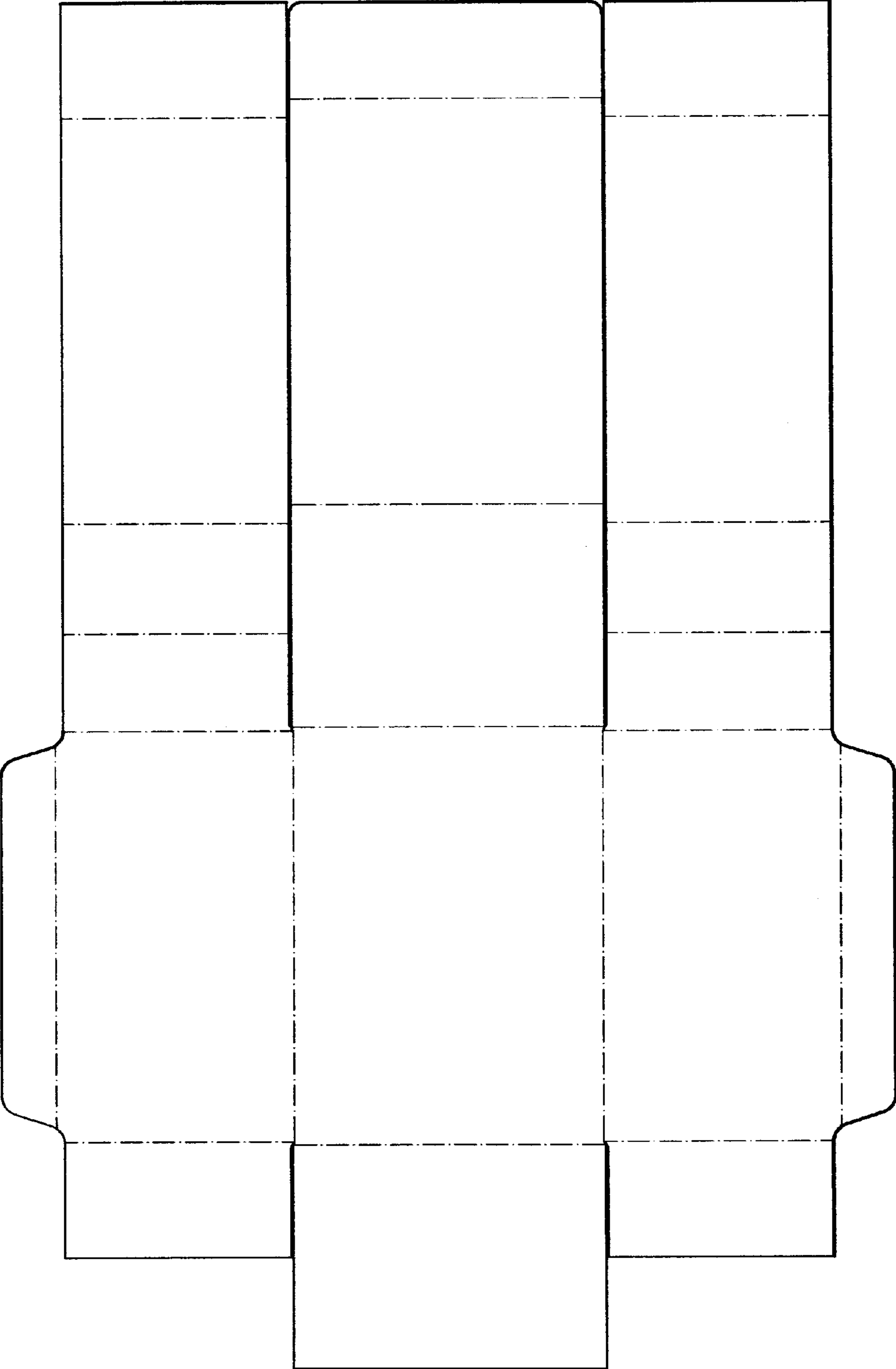


FIGURE 1

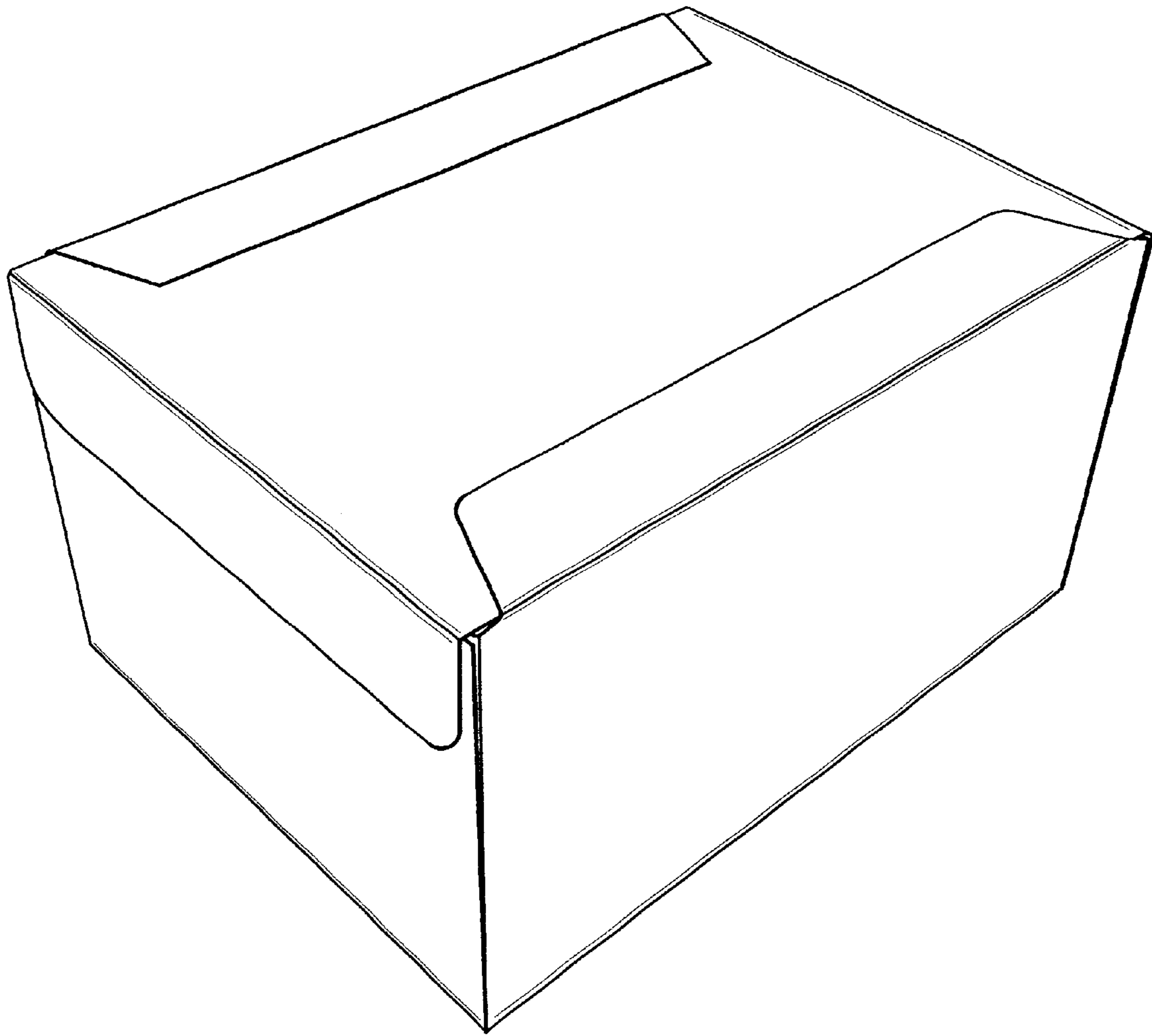


FIGURE 2

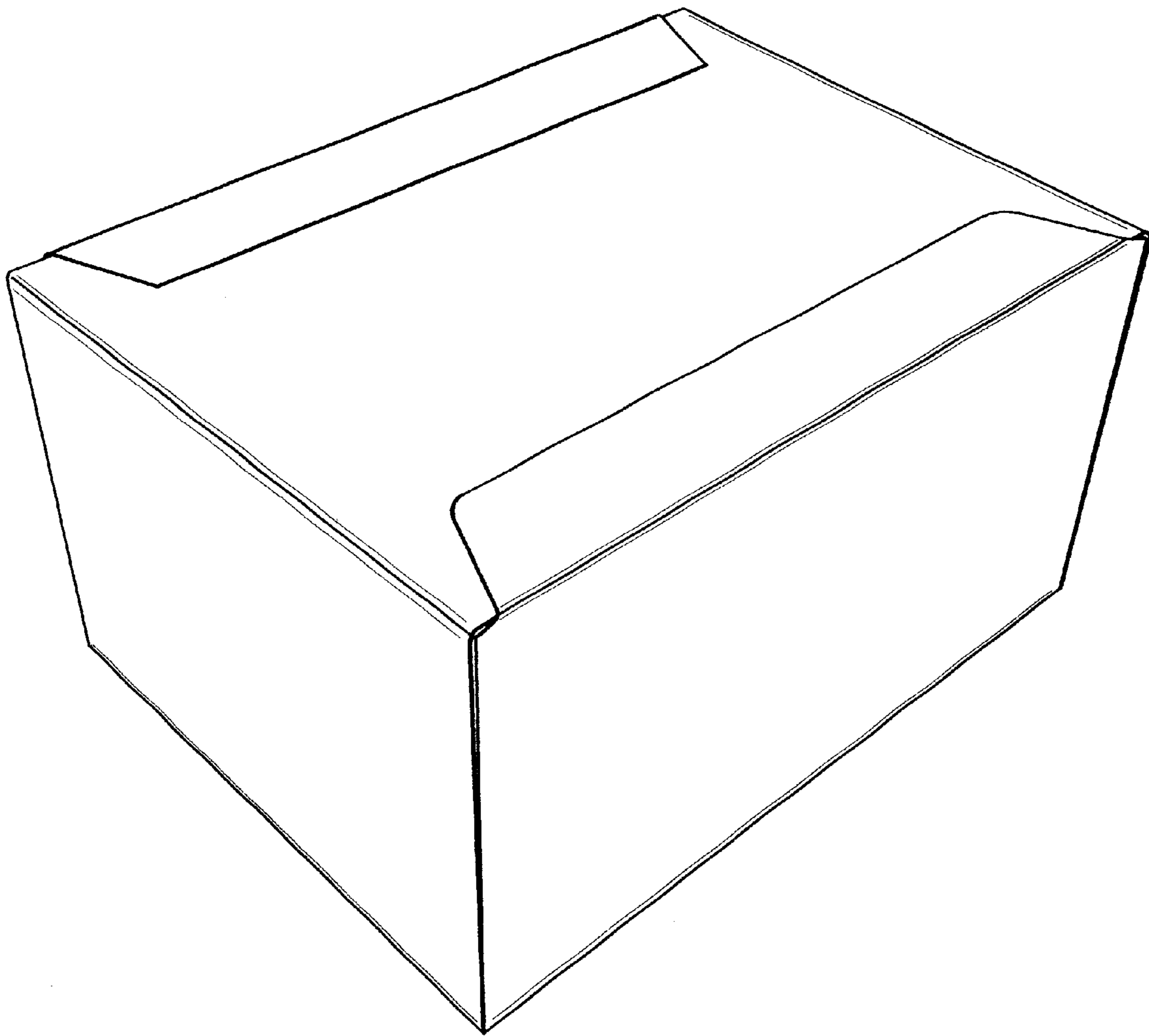


FIGURE 3

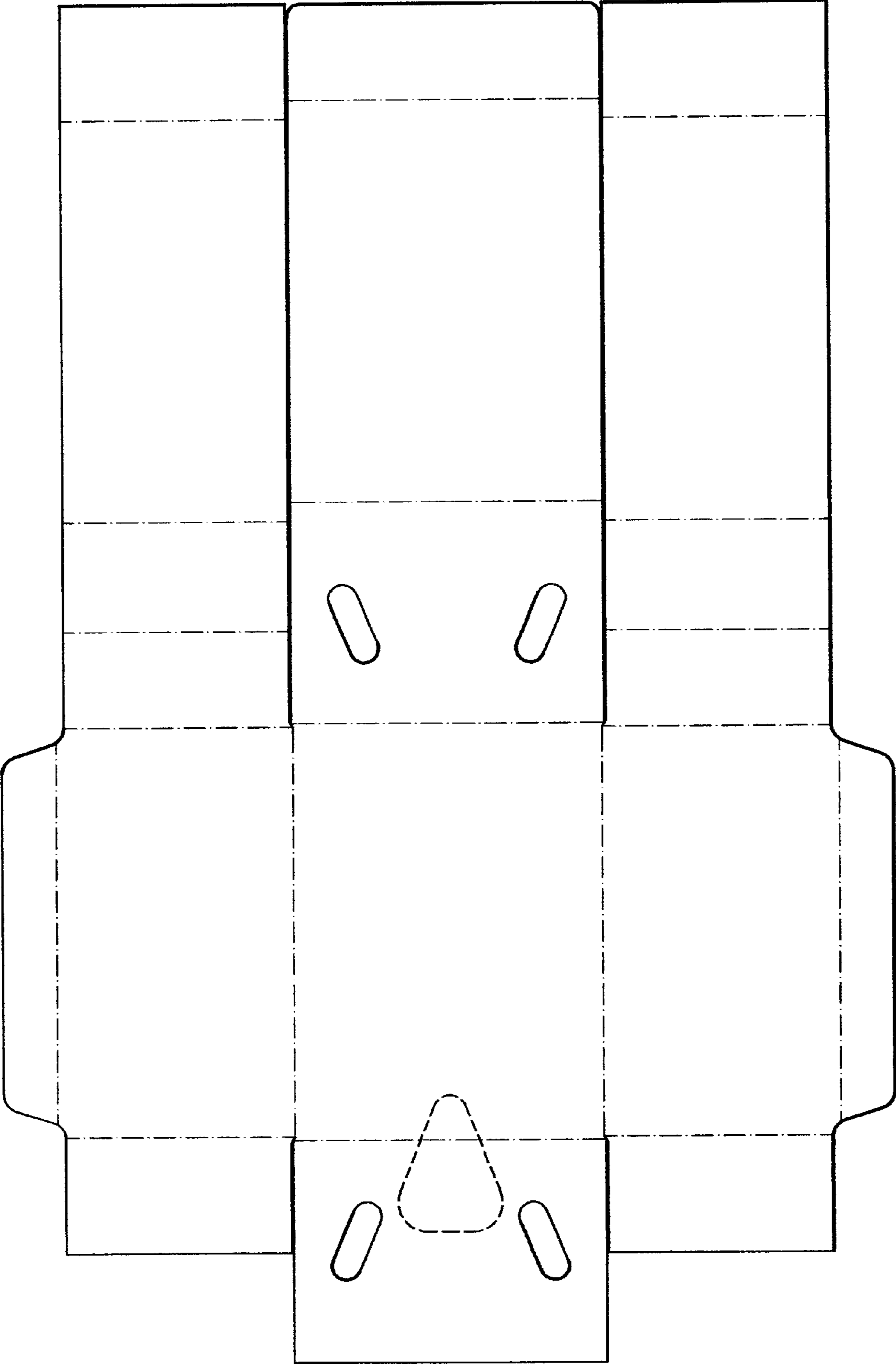


FIGURE 4

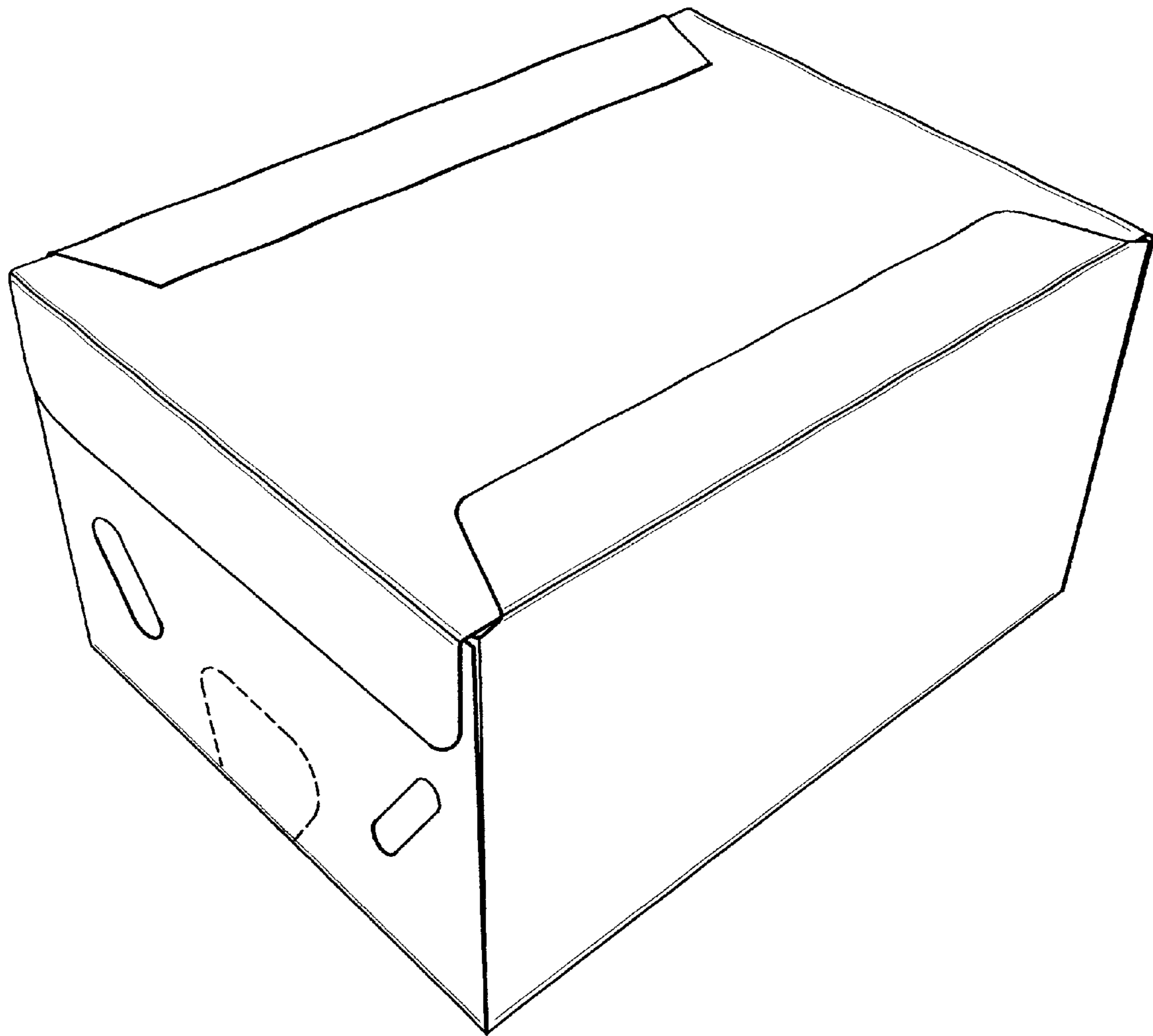


FIGURE 5

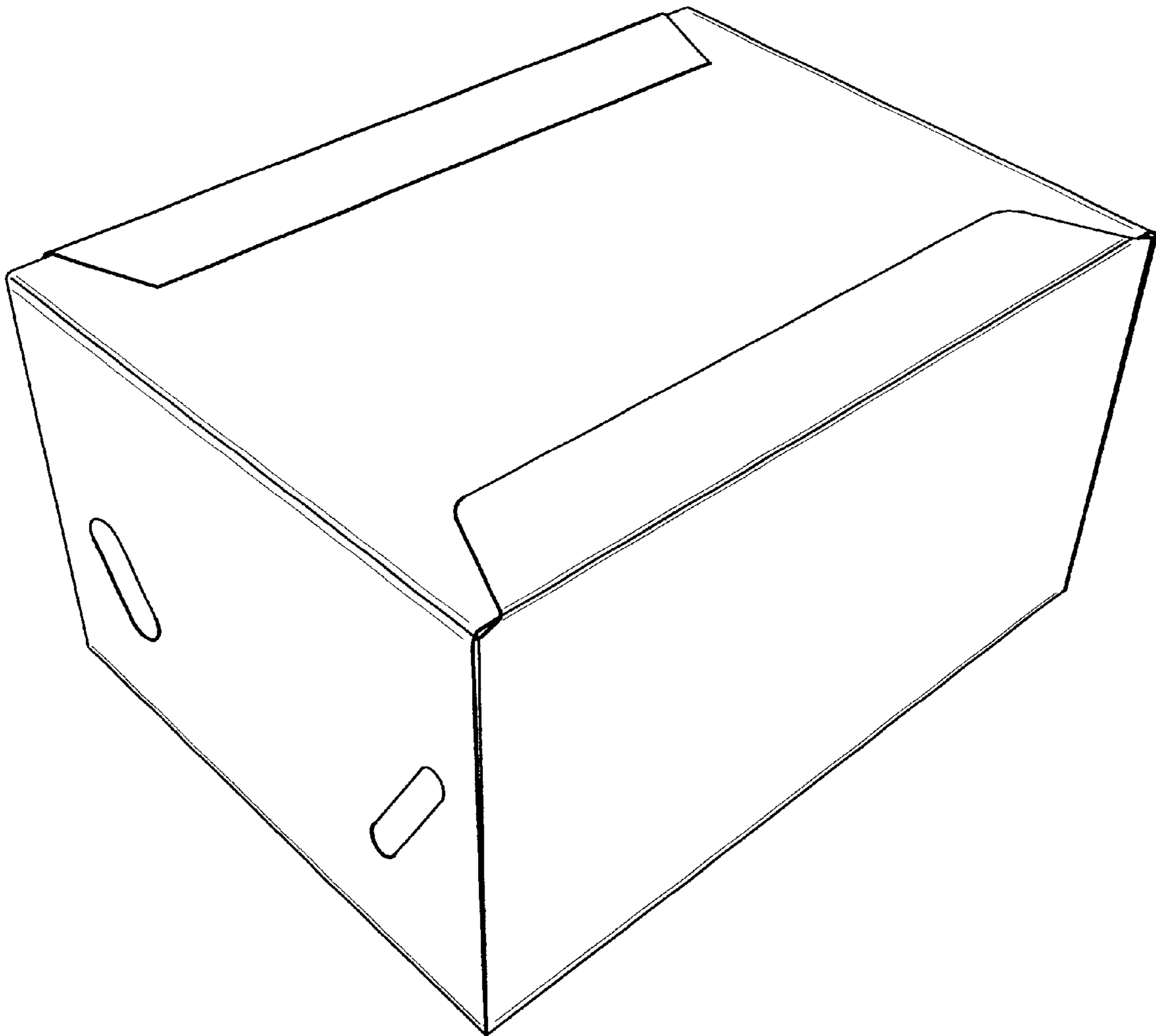


FIGURE 6