



US00D521369S

(12) **United States Design Patent**
Sollberger et al.

(10) **Patent No.:** **US D521,369 S**

(45) **Date of Patent:** **** May 23, 2006**

(54) **BAG CLIP**

D468,359 S * 1/2003 Chen D19/65

(75) Inventors: **Simon Sollberger**, Venice, CA (US);
Stuart Karten, Venice, CA (US)

* cited by examiner

(73) Assignee: **Zyliss U.S.A.**, Foothill Ranch, CA (US)

Primary Examiner—Louis S. Zarfes

Assistant Examiner—John Windmuller

(**) Term: **14 Years**

(74) *Attorney, Agent, or Firm*—Brinks Hofer Gilson & Lione

(21) Appl. No.: **29/225,495**

(57) **CLAIM**

(22) Filed: **Mar. 16, 2005**

We claim the ornamental design for a bag clip, as shown and described.

(51) **LOC (8) Cl.** **08-08**

DESCRIPTION

(52) **U.S. Cl.** **D8/395**

(58) **Field of Classification Search** D8/356,
D8/371, 394–398, 499, 53, 100, 365; D12/51;
D19/65, 90; D28/39, 40, 42; 24/546, 563,
24/327, 334, DIG. 8, DIG. 9, DIG. 13, DIG. 28;
248/74.2, 300, 301, 316.7, 229.26
See application file for complete search history.

FIG. 1 is a top front perspective view of a bag clip showing our new design;

FIG. 2 is a top rear perspective view thereof;

FIG. 3 is a right side elevational view thereof, the left side elevational view being a mirror image;

FIG. 4 is a front elevational view thereof;

FIG. 5 is a rear elevational view thereof;

FIG. 6 is a top plan view thereof; and,

FIG. 7 is a bottom plan view thereof.

The ornamental design which is claimed is shown in solid lines in the drawings. Any broken lines in the drawings are for illustrative purposes only and form no part of the claimed design.

(56) **References Cited**

U.S. PATENT DOCUMENTS

D302,568 S * 8/1989 Berger D19/65
5,079,808 A * 1/1992 Brown 24/67.7

1 Claim, 4 Drawing Sheets

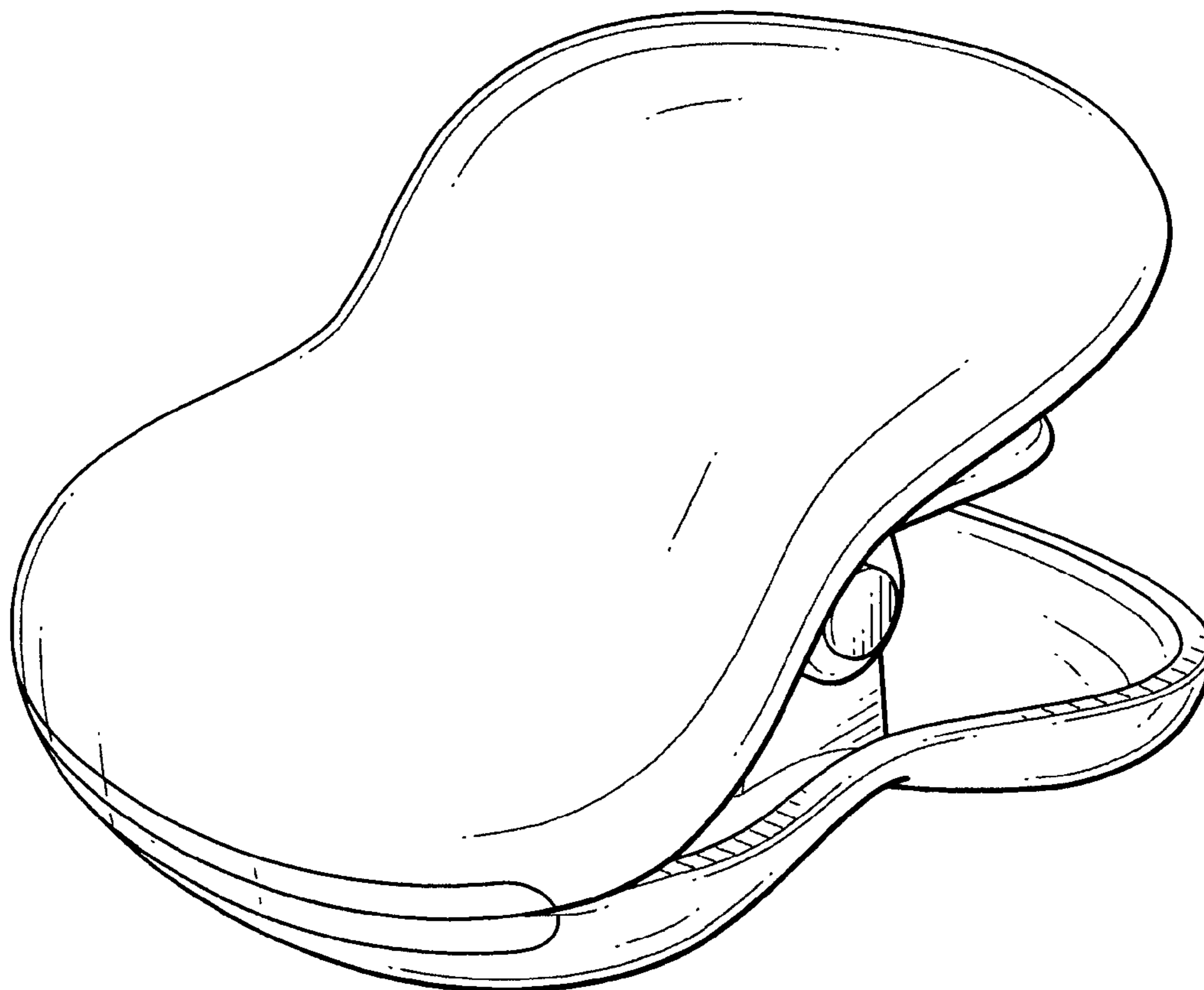


FIG. 1

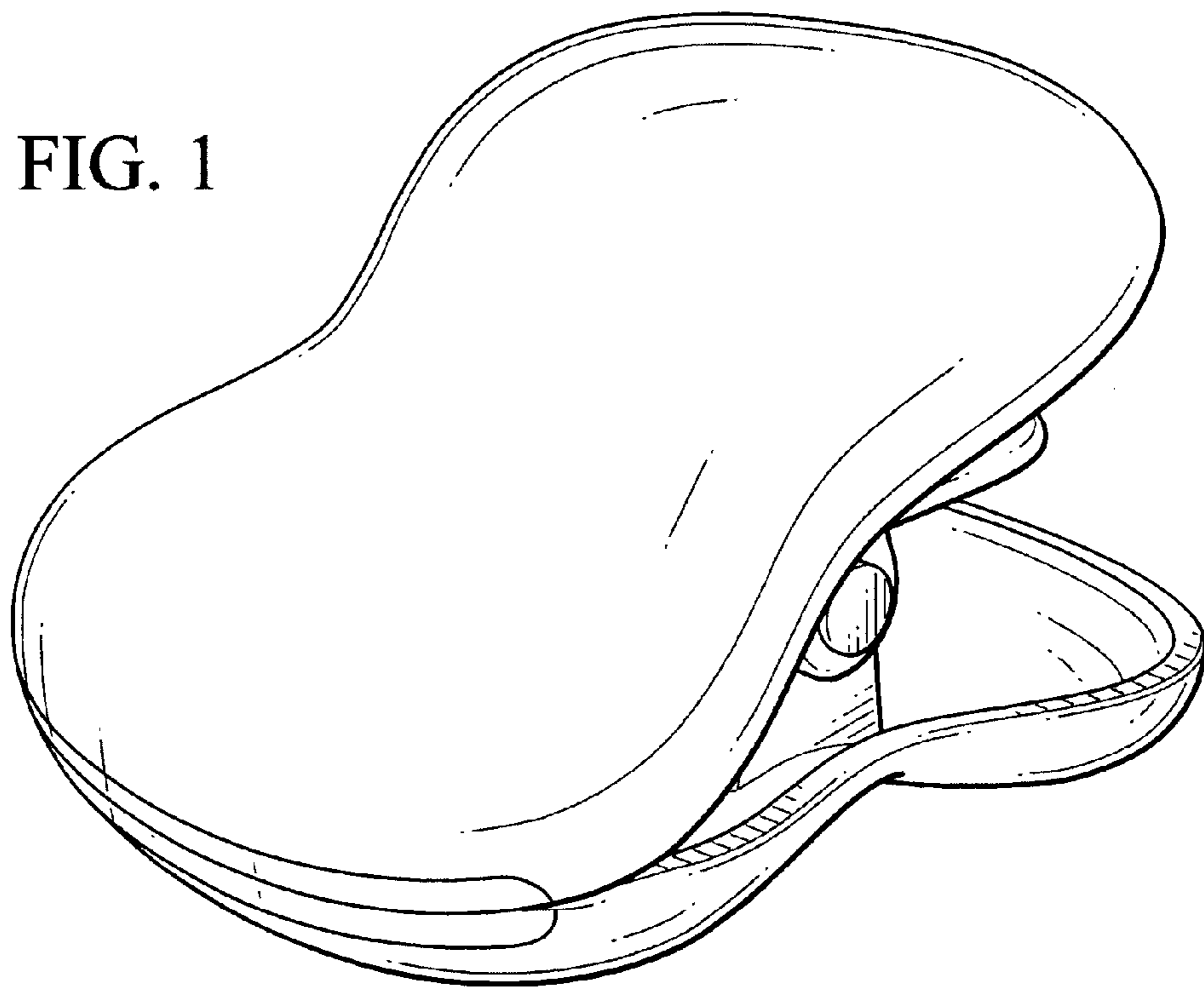


FIG. 2

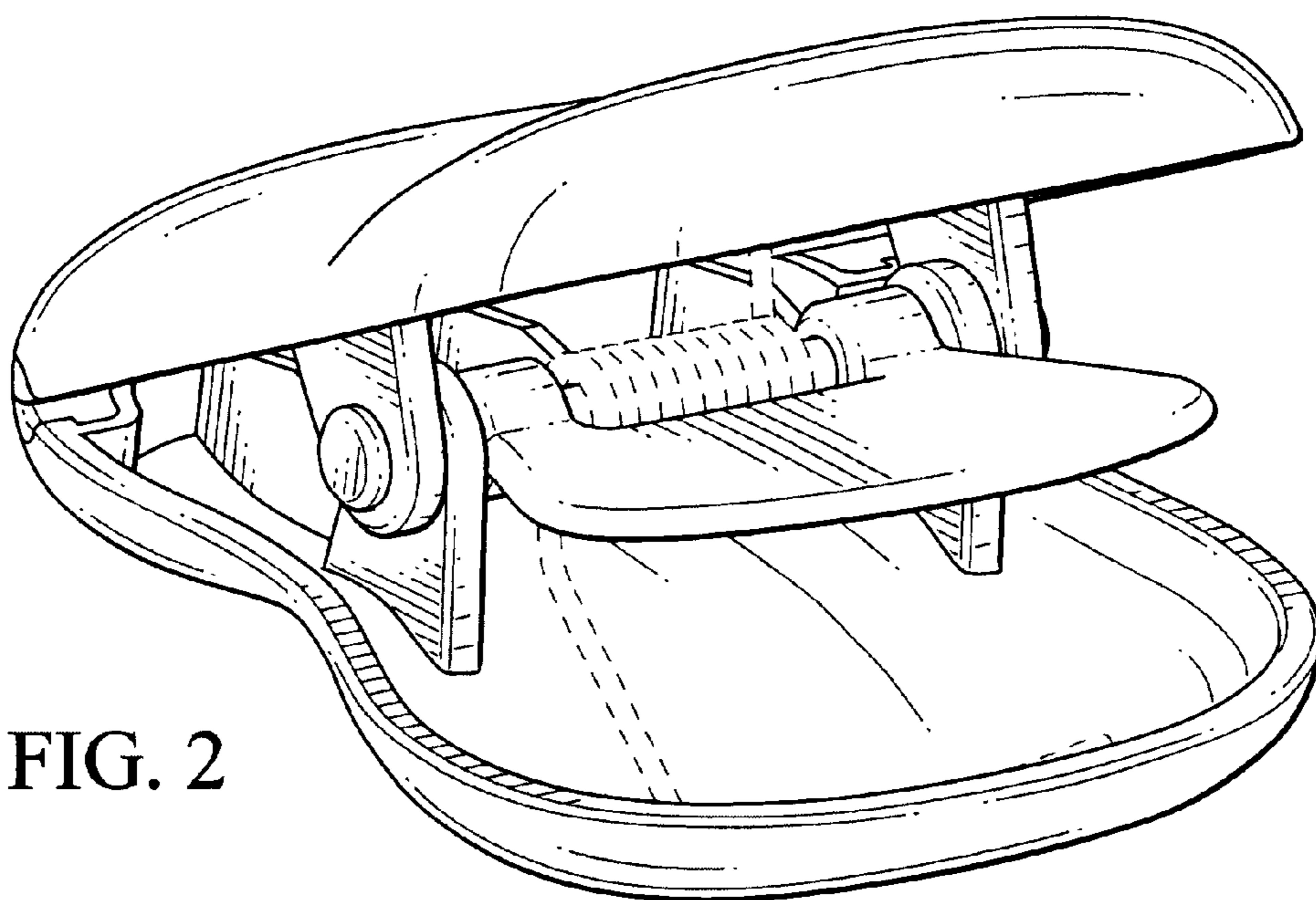


FIG. 3

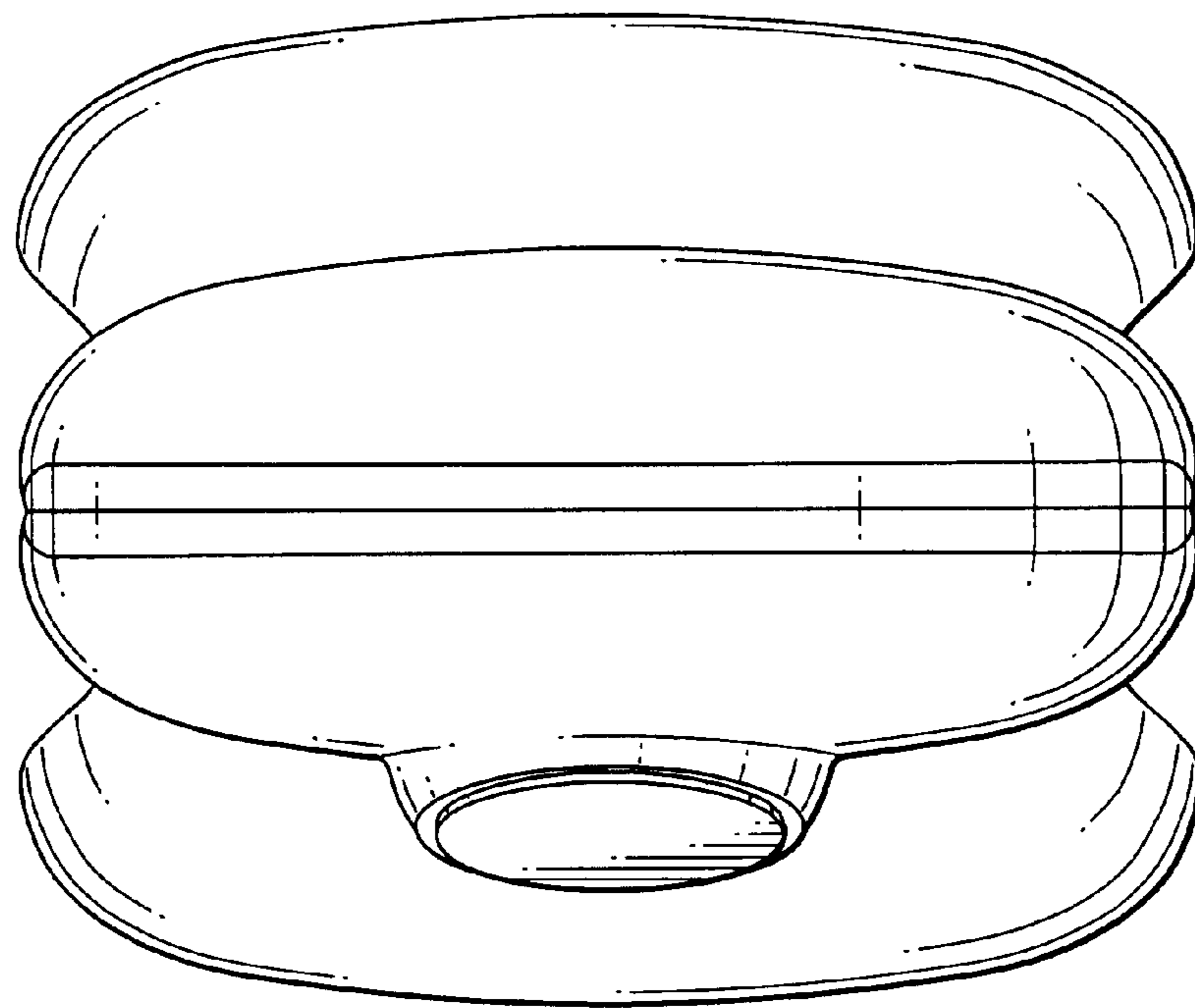
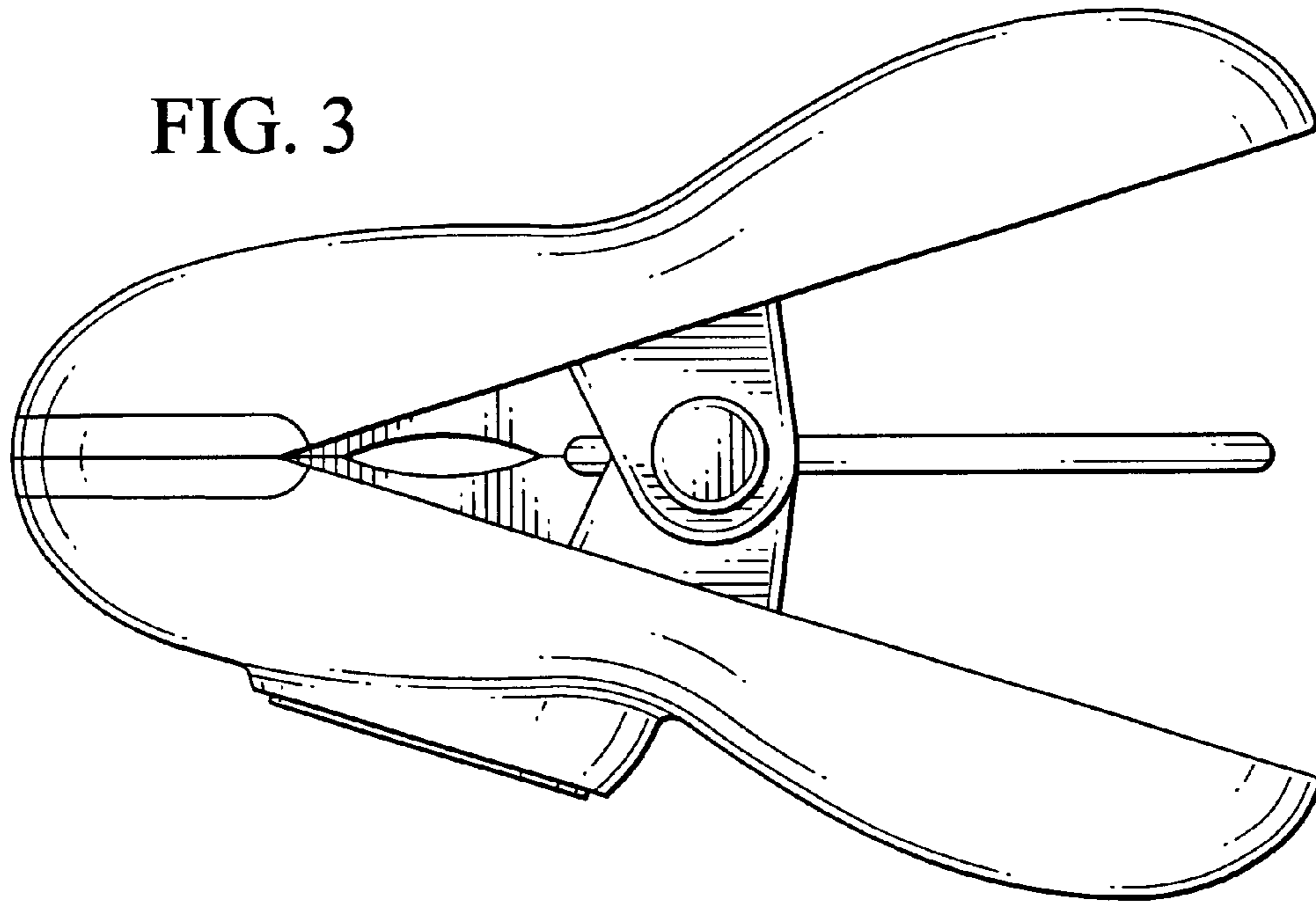


FIG. 4

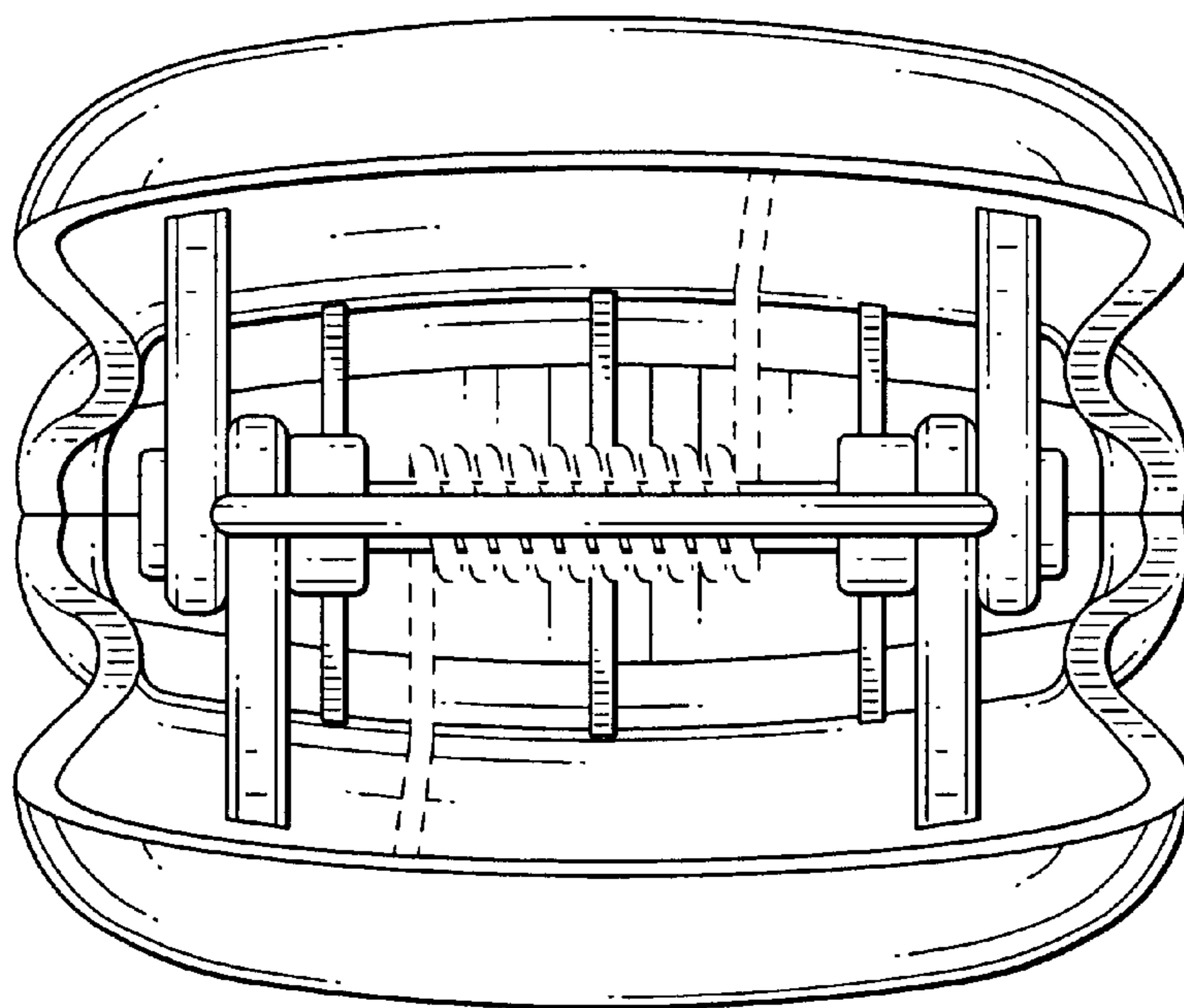


FIG. 5

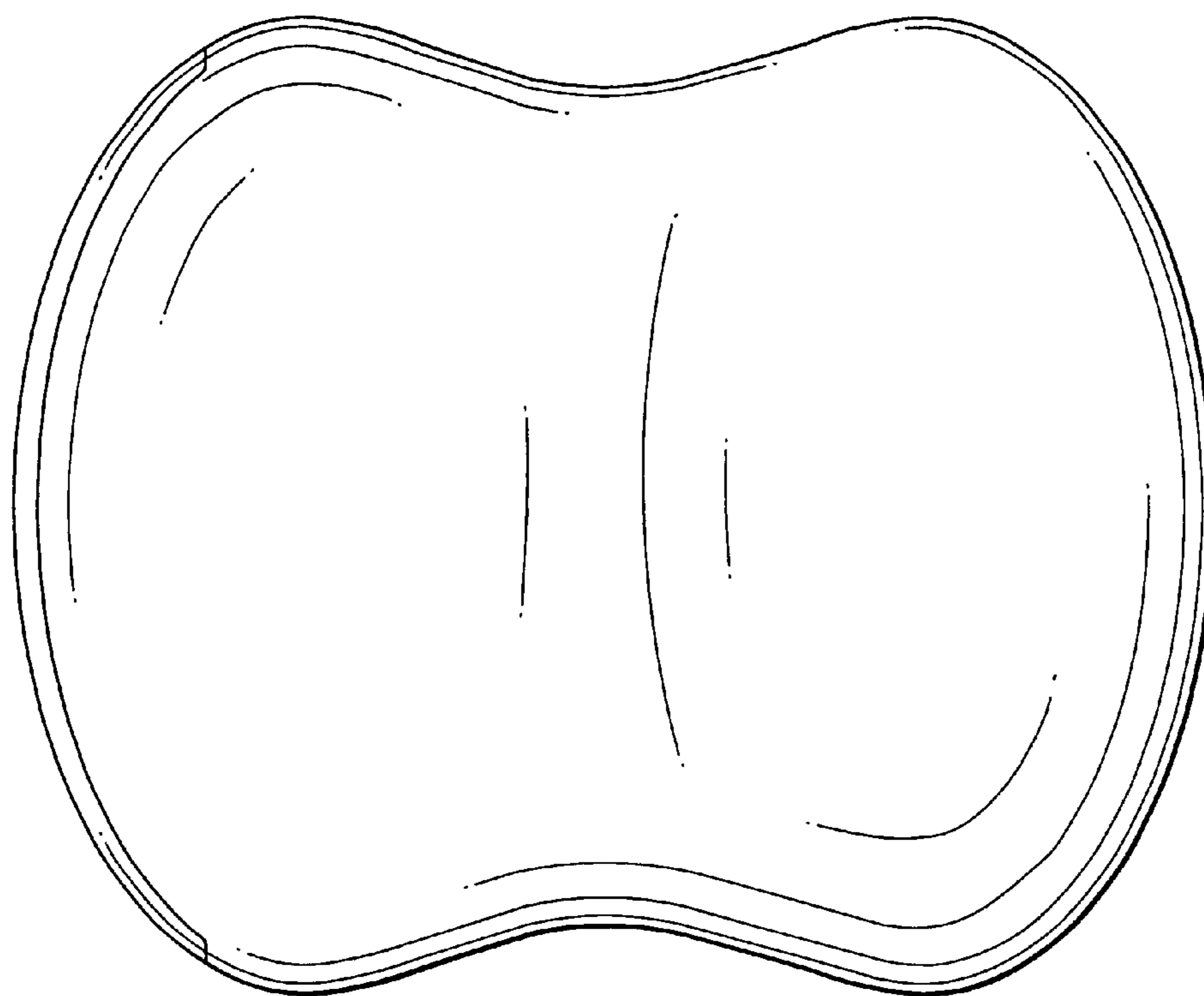


FIG. 6

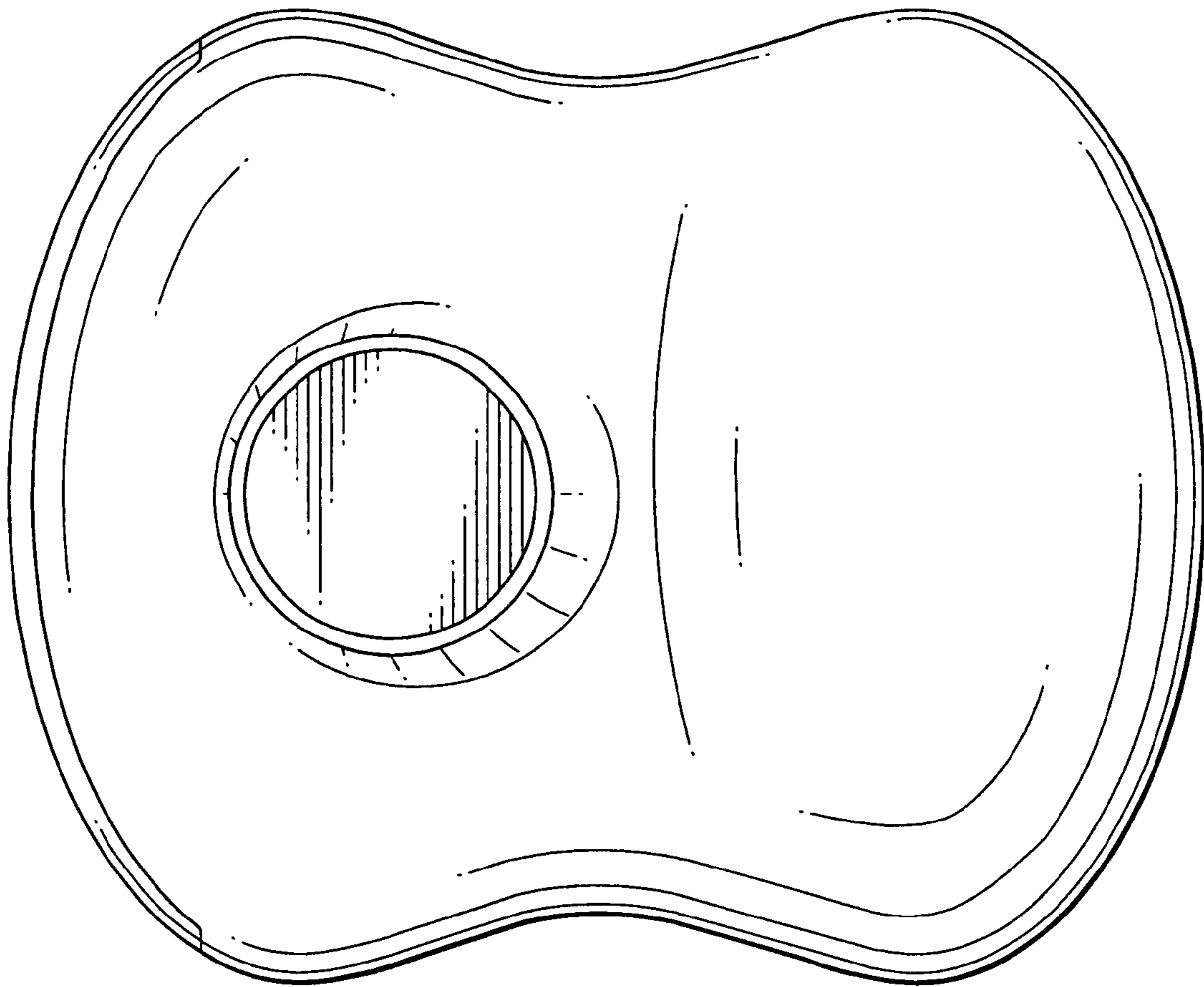


FIG. 7