



US00D521368S

(12) **United States Design Patent**
Carl

(10) **Patent No.:** **US D521,368 S**

(45) **Date of Patent:** **** May 23, 2006**

(54) **SOCK CLIP**

(76) Inventor: **Kutyna R. Carl**, 5419 Birchill Rd.,
Charlotte, NC (US) 28227

(**) Term: **14 Years**

(21) Appl. No.: **29/222,055**

(22) Filed: **Jan. 26, 2005**

(51) **LOC (8) Cl.** **08-08**

(52) **U.S. Cl.** **D8/395**

(58) **Field of Classification Search** D8/356,
D8/371, 394-396, 499, 53, 100, 365; D12/51;
D19/65, 90; D28/39, 40, 42; 24/546, 563,
24/327, 334, DIG. 8, DIG. 9, DIG. 13, DIG. 28;
248/74.2, 300, 301, 316.7, 229.26

See application file for complete search history.

(56) **References Cited**

U.S. PATENT DOCUMENTS

D60,275 S * 1/1922 Stone D19/65
3,911,531 A * 10/1975 Buturuga 24/10 R
D331,462 S * 12/1992 Kraus et al. D24/143

* cited by examiner

Primary Examiner—Catherine R. Oliver

Assistant Examiner—John Windmuller

(74) *Attorney, Agent, or Firm*—Summa, Allan & Additon,
P.A.

(57) **CLAIM**

The ornamental design of a sock clip, as described and
shown in the drawings.

DESCRIPTION

FIG. 1 is a front perspective view of a sock clip showing my
new design, the sock clip being shown in use with a pair of
socks;

FIG. 2 is a right side elevational view thereof;

FIG. 3 is a top plain view of the sock clip showing my new
design;

FIG. 4 is a front elevational view thereof;

FIG. 5 is a right side elevational view thereof;

FIG. 6 is a rear elevational view thereof;

FIG. 7 is a left side elevational view thereof; and,

FIG. 8 is a bottom plan view thereof.

The pair of socks shown in broken lines is not part of the
design.

1 Claim, 4 Drawing Sheets

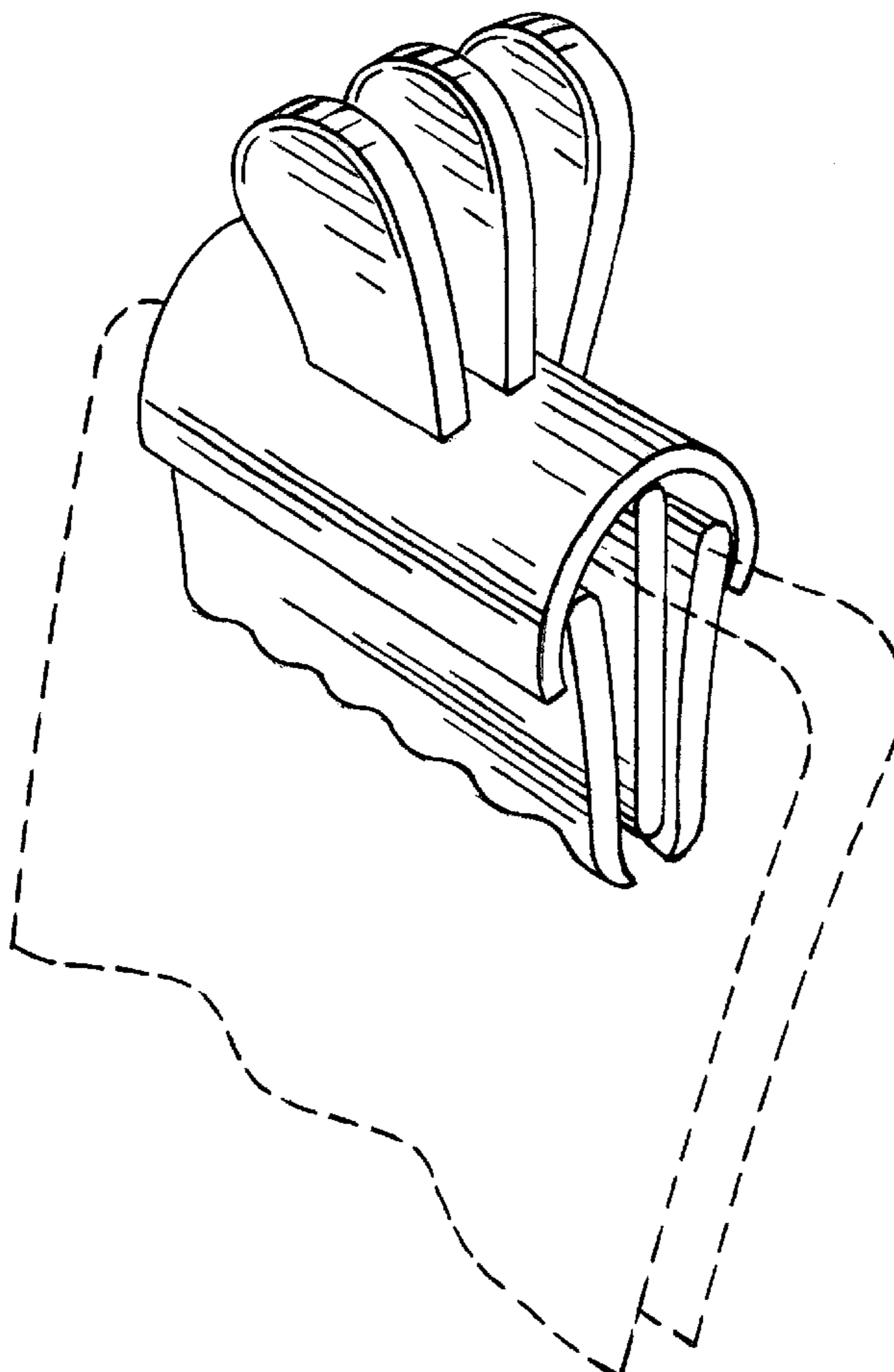


Fig. 1

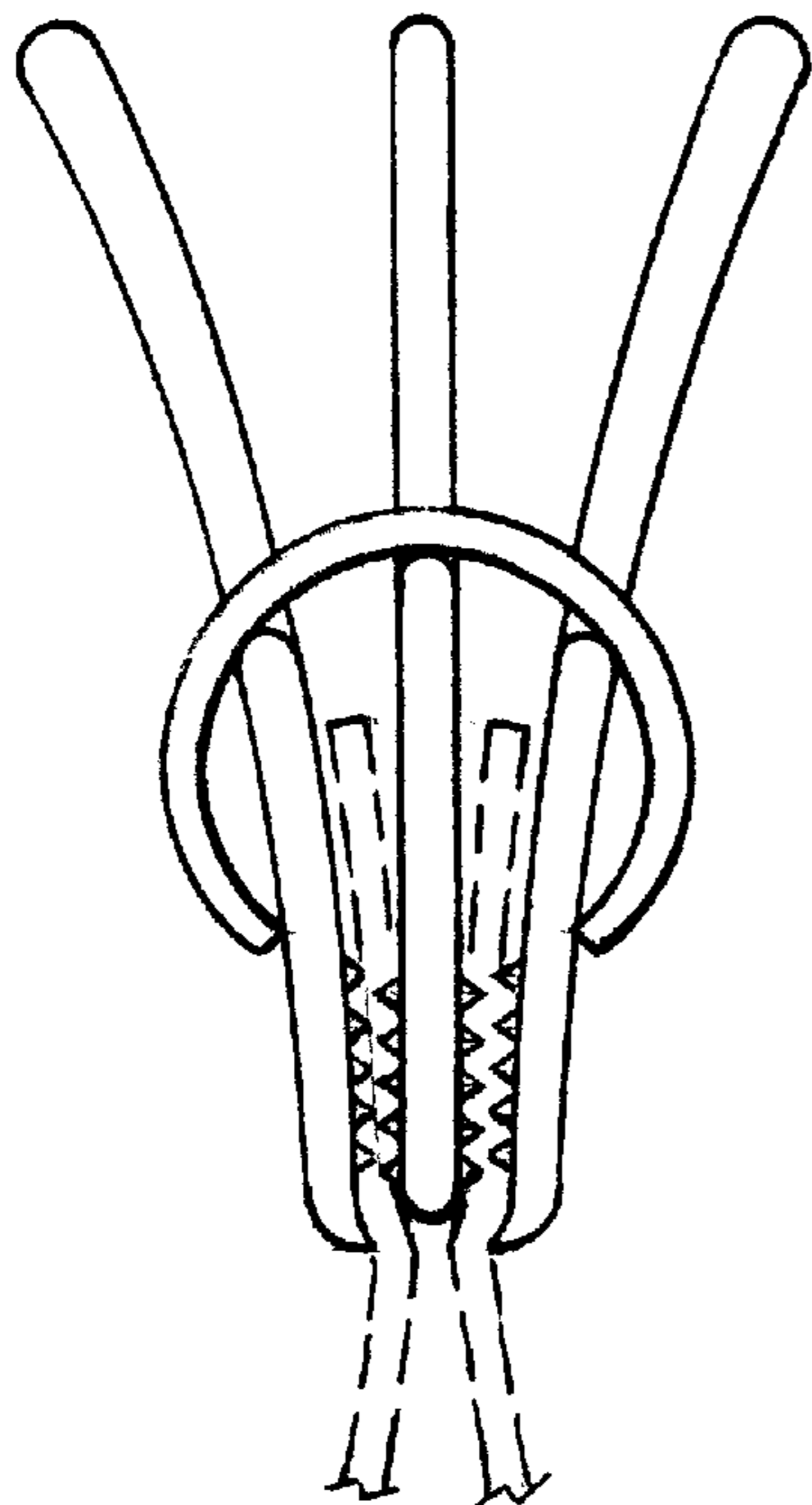
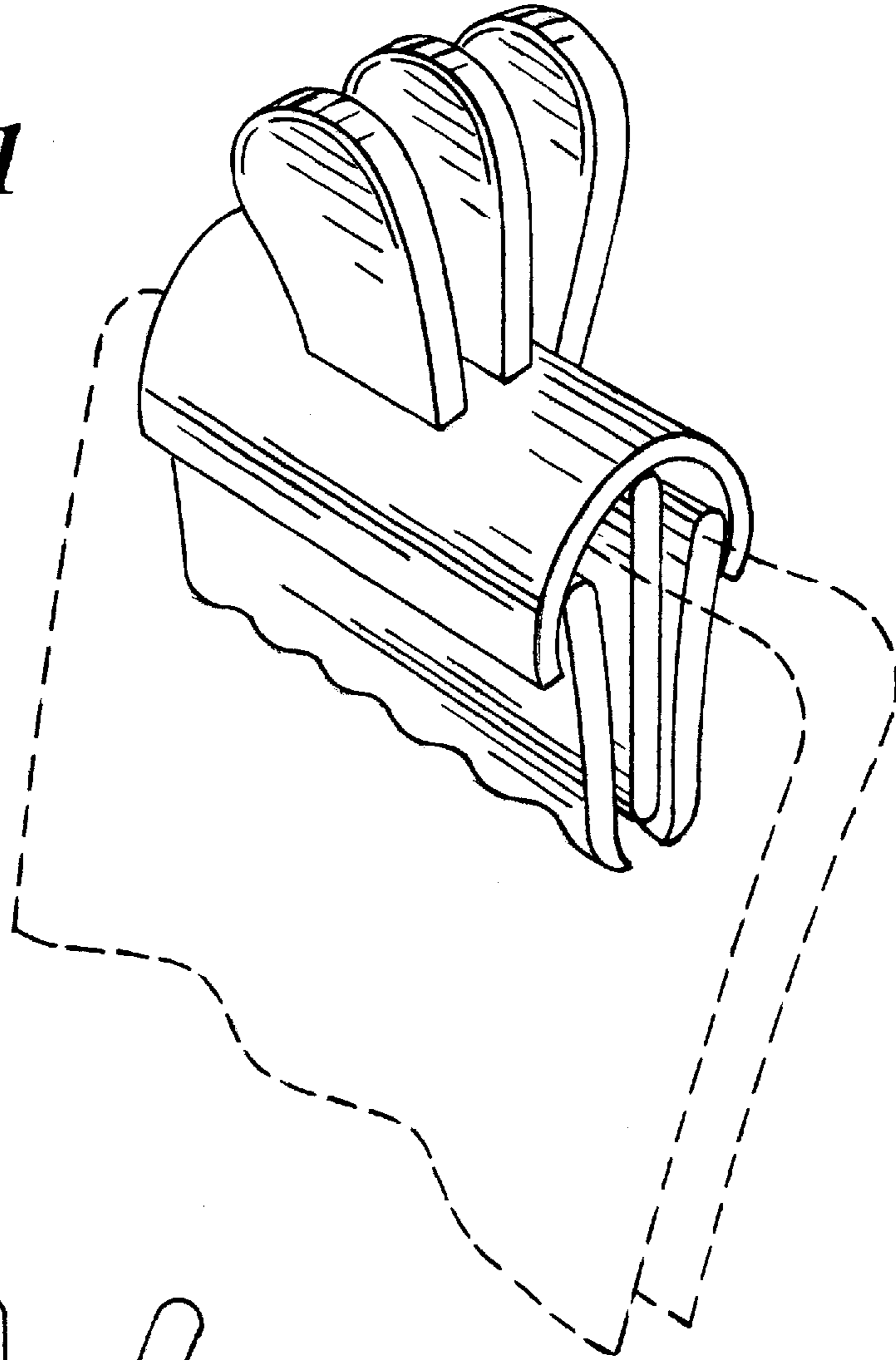


Fig. 2

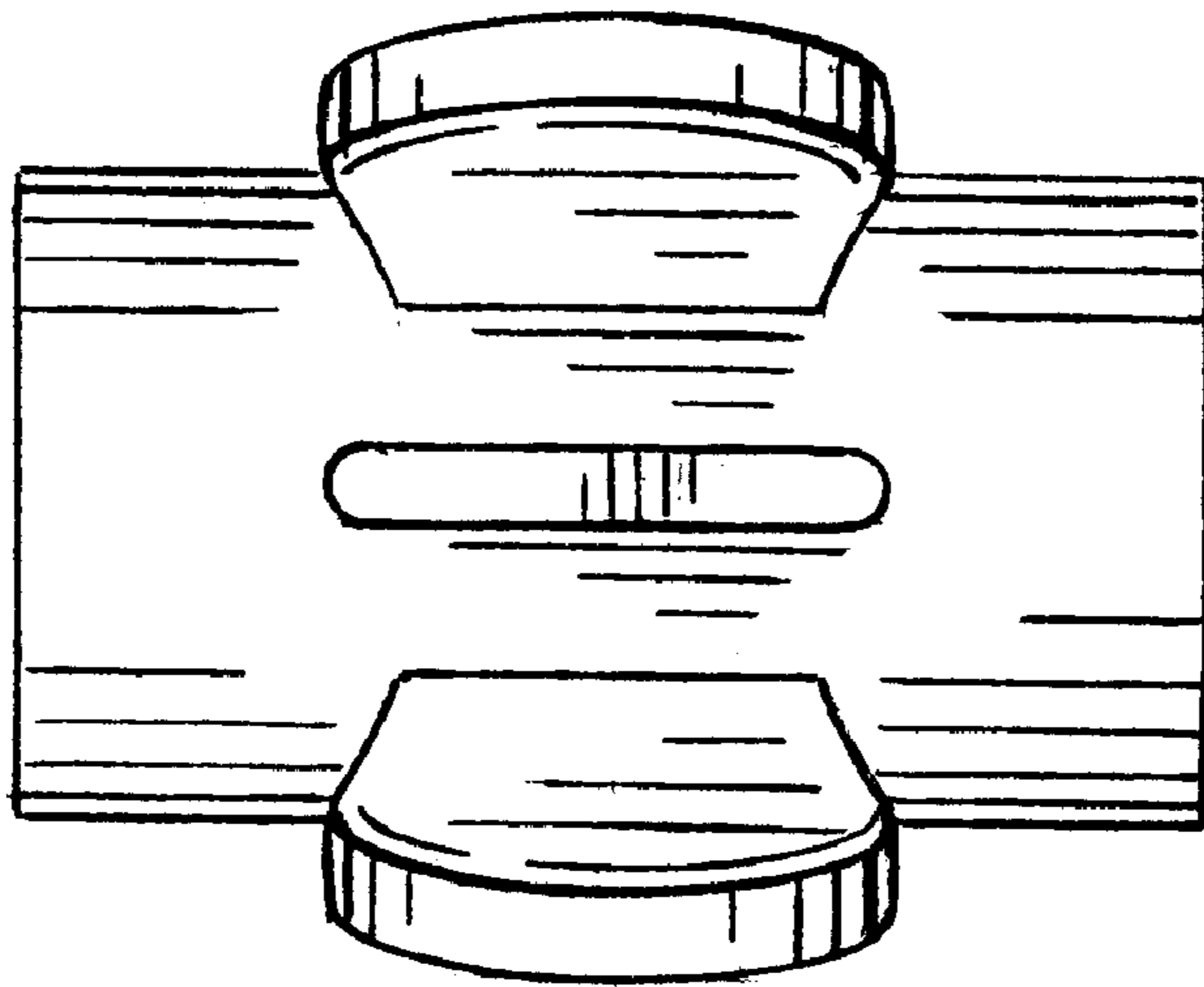


Fig. 3

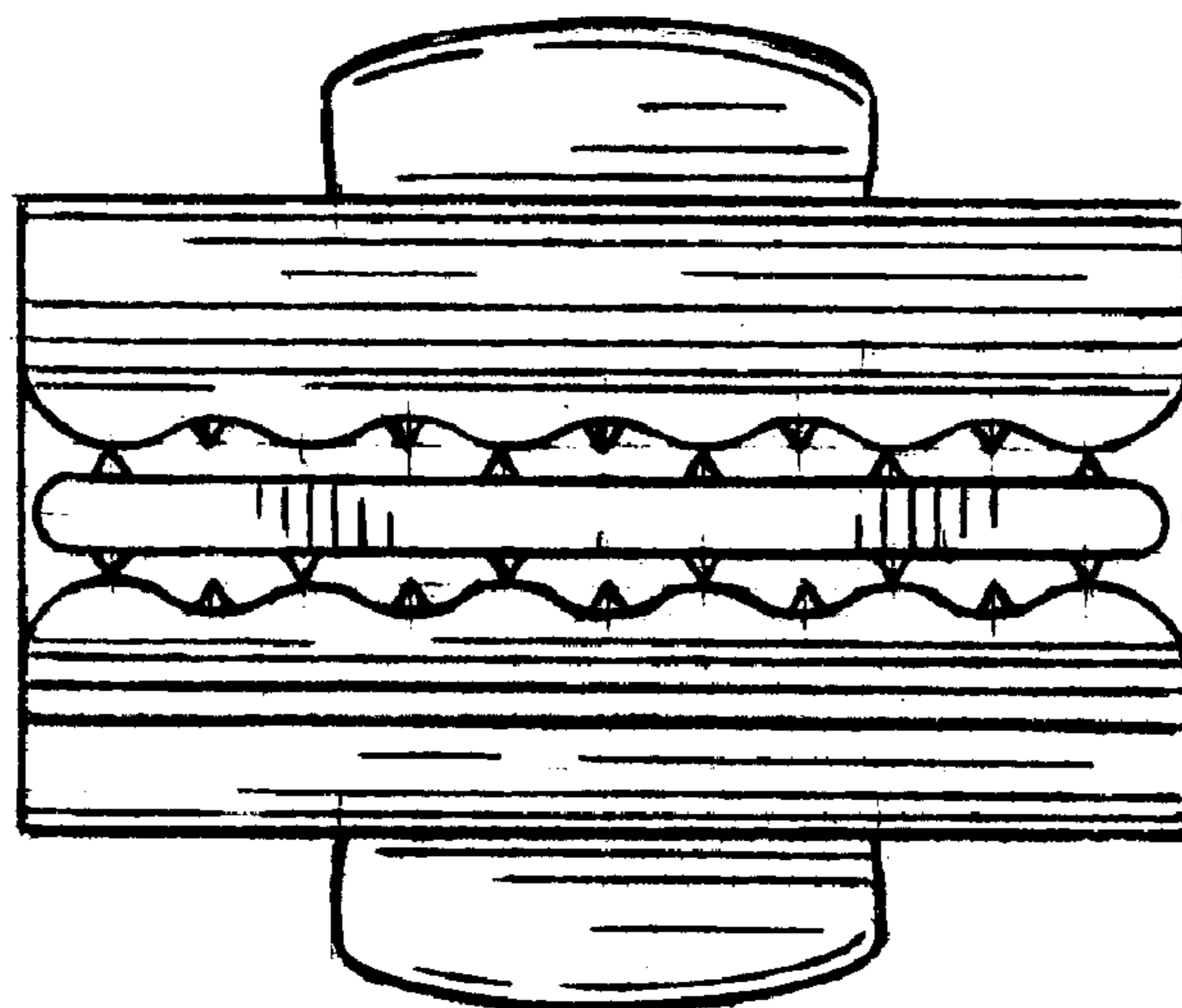


Fig. 8

Fig. 4

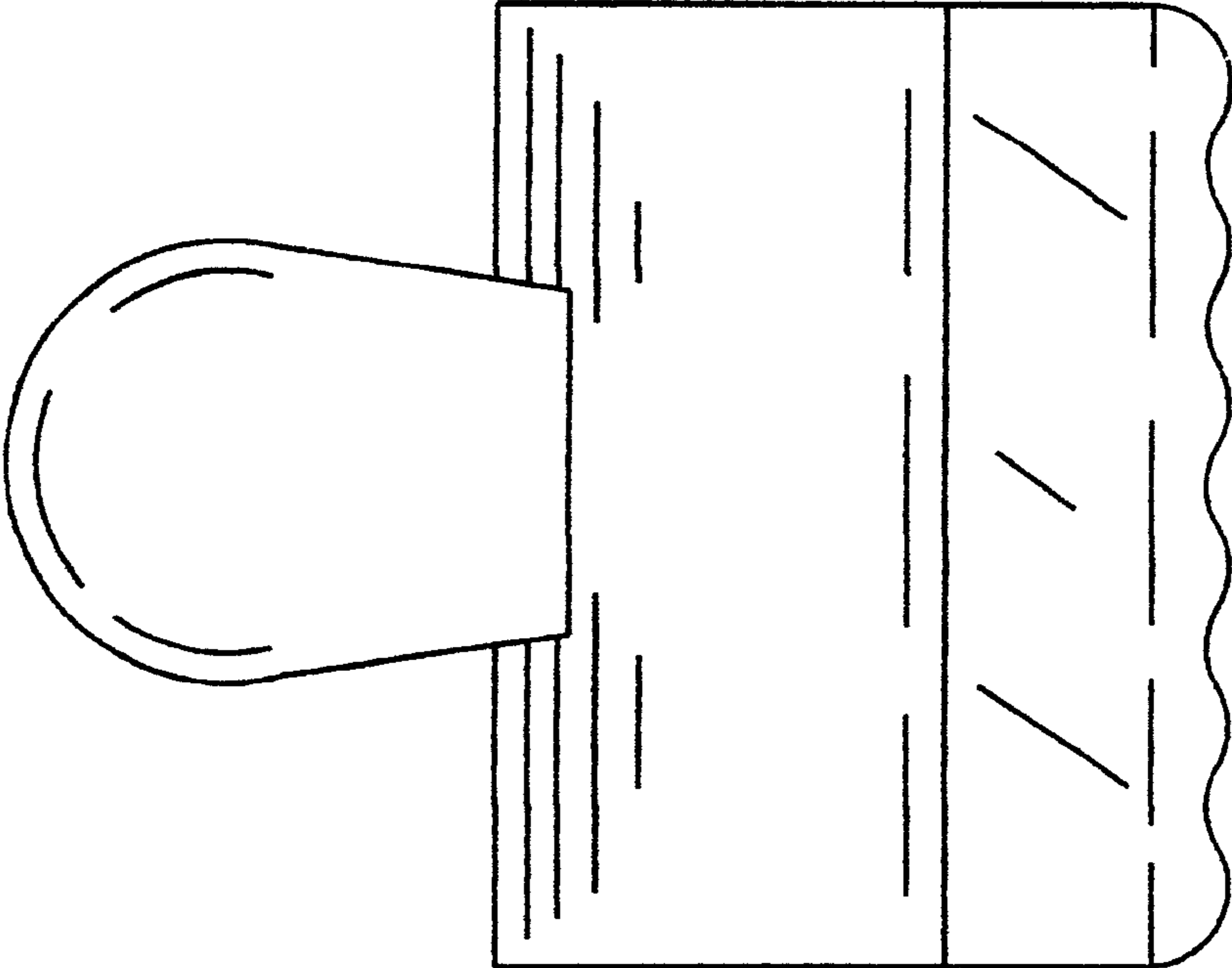


Fig. 5

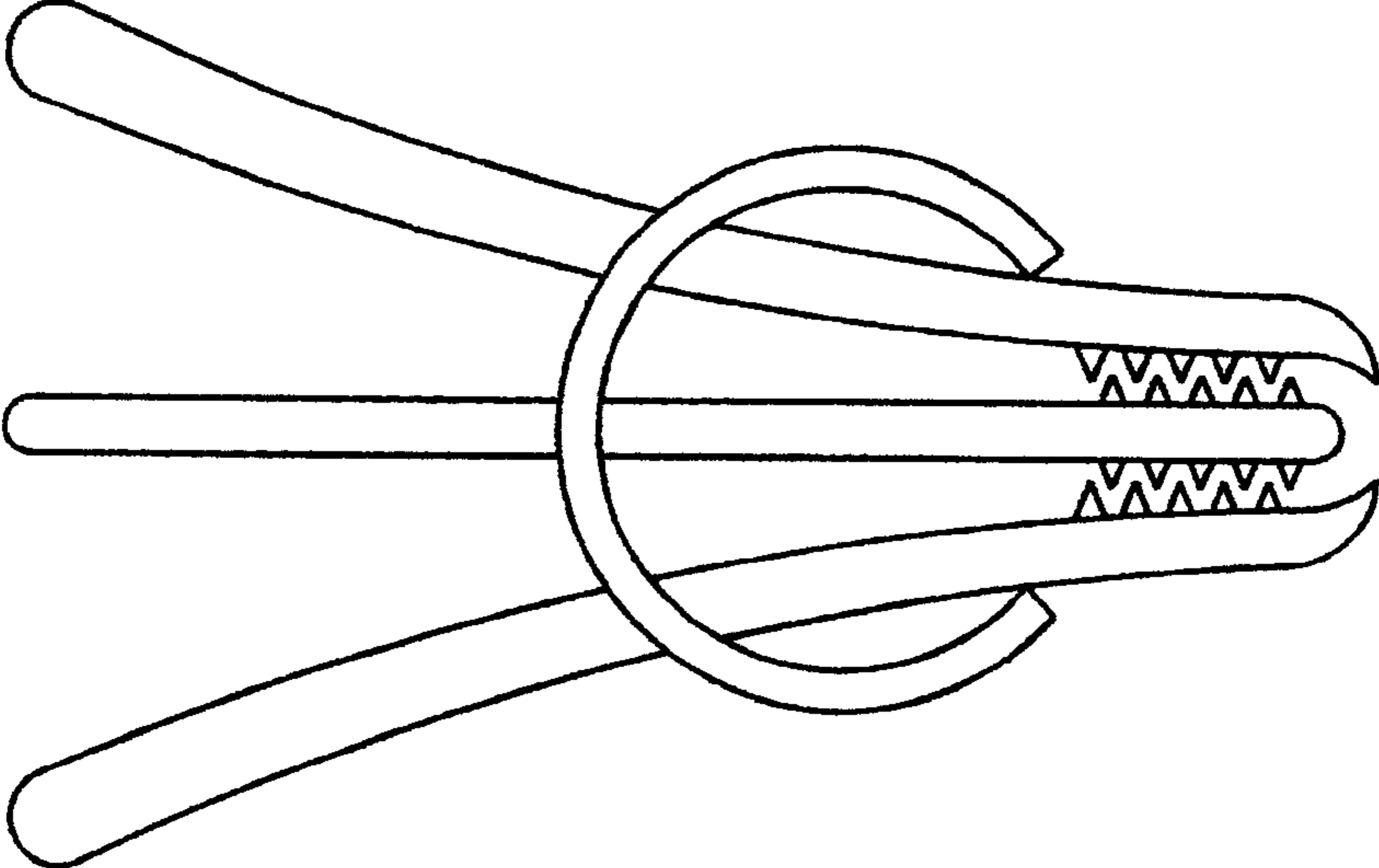


Fig. 7

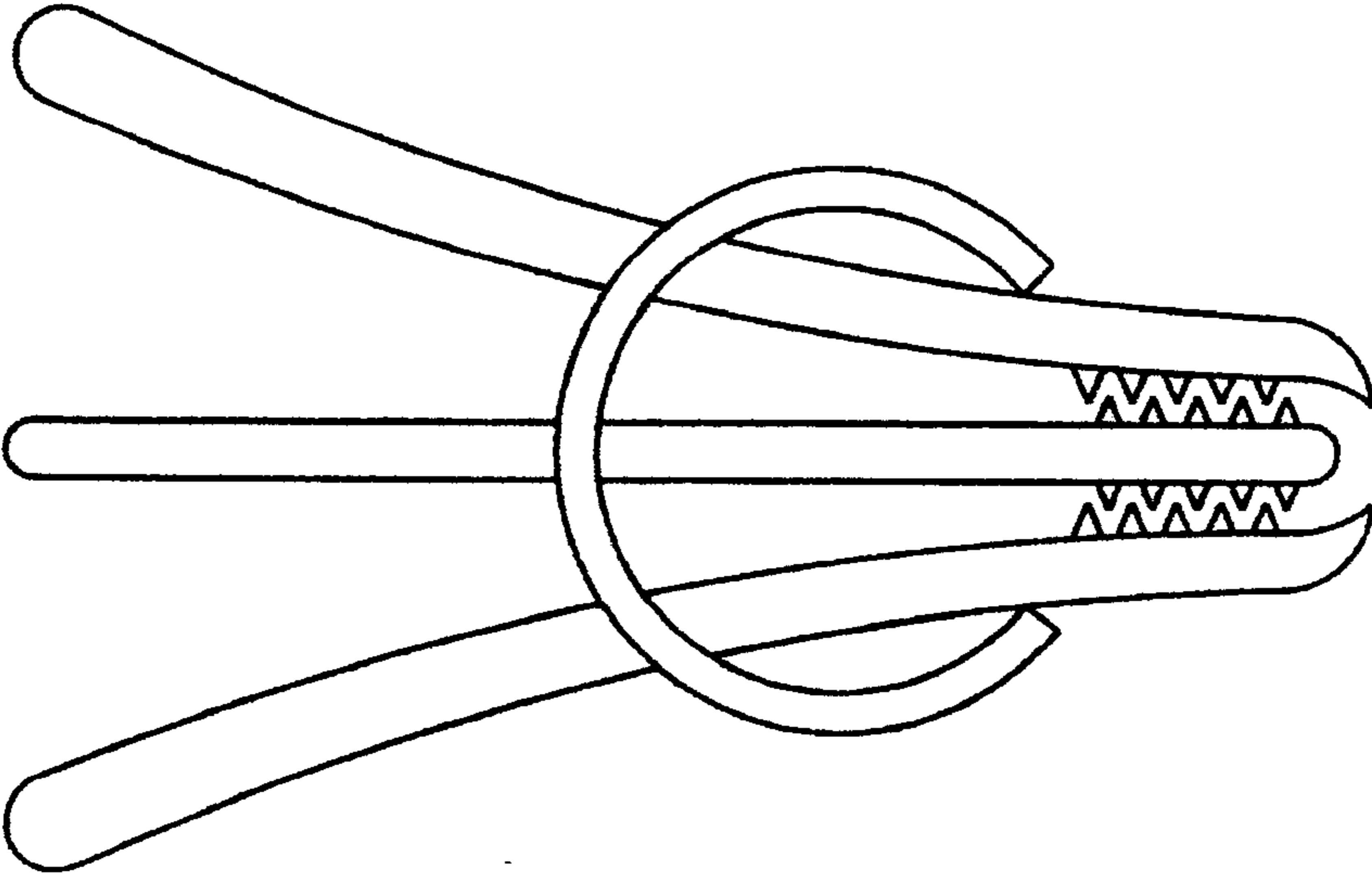


Fig. 6

