



US00D521366S

(12) **United States Design Patent** (10) **Patent No.:** **US D521,366 S**
Polak et al. (45) **Date of Patent:** **** May 23, 2006**

(54) **MOLDED CLAMP**
(75) Inventors: **Donald J. Polak**, Nashville, TN (US);
Thomas J. Bush, Canton Center, CT
(US)
(73) Assignee: **End of the Road, Inc.**, Nashville, TN
(US)
(**) **Term:** **14 Years**
(21) Appl. No.: **29/186,287**
(22) Filed: **Jul. 14, 2003**
(51) **LOC (8) Cl.** **08-08**
(52) **U.S. Cl.** **D8/383; D8/395**
(58) **Field of Classification Search** D8/356,
D8/383, 394, 396, 395; 24/16 PB, 17 AP,
24/30.5 P, 30.5 S, 300-302, 339, DIG. 16;
248/58, 60, 74.3
See application file for complete search history.

6,164,604 A 12/2000 Cirino et al.
6,206,331 B1 3/2001 Keith et al.
6,335,887 B1 1/2002 Aoki et al.
6,443,403 B1 9/2002 Page et al.
6,496,094 B1 12/2002 May, III
D484,400 S * 12/2003 Blake et al. D8/394

FOREIGN PATENT DOCUMENTS

DE 4200771 7/1993
GB 2185517 A * 7/1987
JP 1116668 6/1999

OTHER PUBLICATIONS

IBM Technical Disclosure Bulletin, "Cable Harness
Clamp", Jun. 1, 1959.

* cited by examiner

Primary Examiner—Louis S. Zarfes
Assistant Examiner—John Windmuller
(74) *Attorney, Agent, or Firm*—Alicia M. Passerin, Esq.;
Cohen & Grigsby, P.C.

(56) **References Cited**
U.S. PATENT DOCUMENTS

3,827,093 A 8/1974 Davis
D234,204 S 1/1975 Miller et al.
3,954,238 A 5/1976 Nivet
4,390,019 A 6/1983 LeVeen et al.
4,483,556 A 11/1984 LiVolsi
4,502,186 A 3/1985 Clarke et al.
4,557,024 A 12/1985 Roberts et al.
4,564,163 A 1/1986 Barnett
4,669,688 A 6/1987 Itoh et al.
4,766,651 A 8/1988 Kobayashi et al.
D307,541 S 5/1990 Tres
4,935,992 A 6/1990 Due
5,305,978 A 4/1994 Current
5,367,750 A 11/1994 Ward
D389,052 S 1/1998 Yamamoto
5,713,912 A 2/1998 Porter
5,725,185 A 3/1998 Auclair
5,782,090 A 7/1998 Locke
5,930,872 A 8/1999 McBride et al.
6,101,684 A 8/2000 Ginocchio

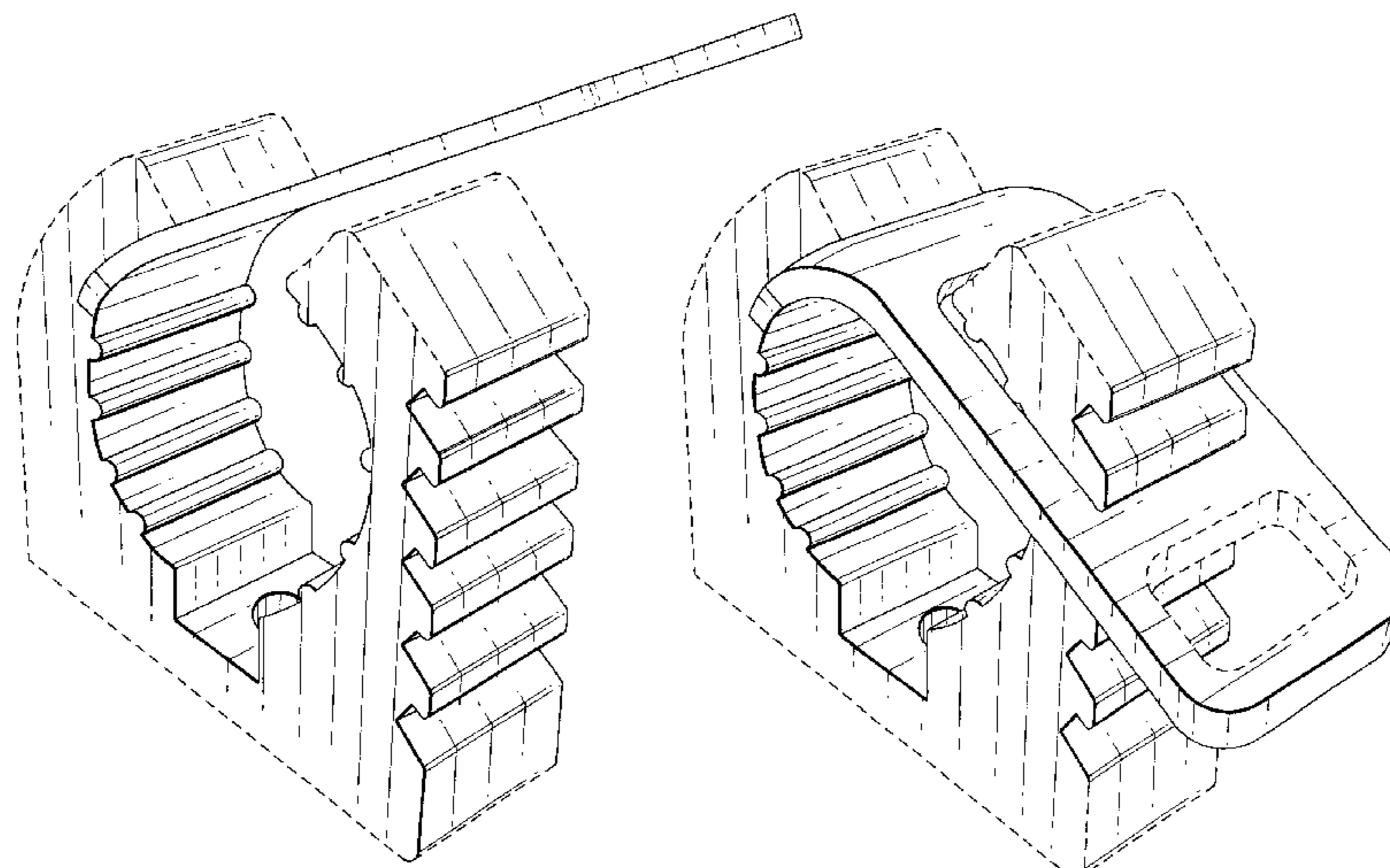
(57) **CLAIM**

The ornamental design for molded clamp, as shown and
described.

DESCRIPTION

FIG. 1 is a perspective view of a molded clamp showing our
new design;
FIG. 2 is a front elevational view thereof;
FIG. 3 is a rear elevational view thereof;
FIG. 4 is a right side elevational view thereof;
FIG. 5 is a left side elevational view thereof;
FIG. 6 is a top plan view thereof;
FIG. 7 is a bottom plan view thereof; and,
FIG. 8 is a perspective view thereof in an alternate position
of use.
The portions of the clamp shown in broken lines are for the
purpose of illustration only and form no part of the claimed
design.

1 Claim, 4 Drawing Sheets



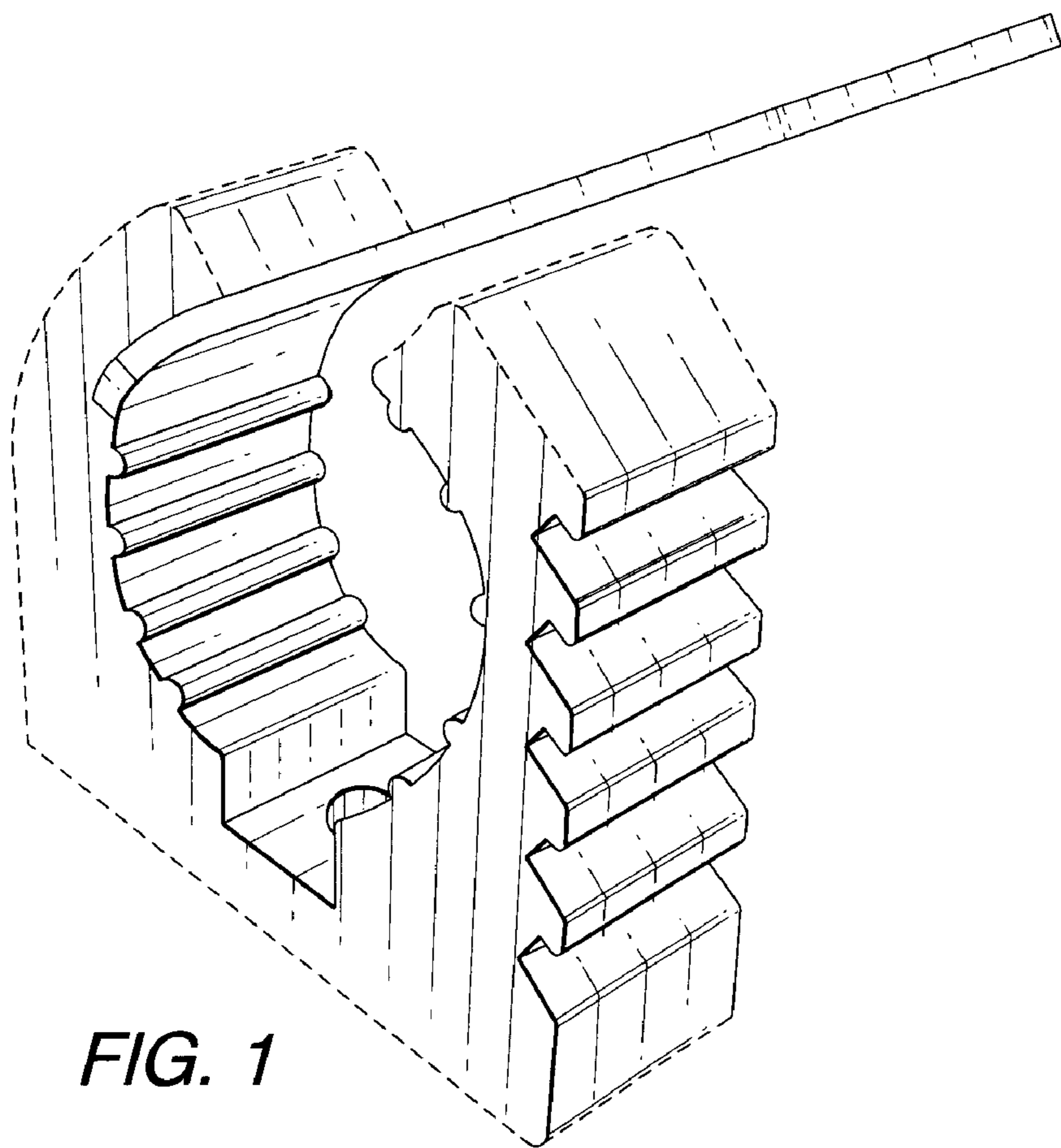


FIG. 1

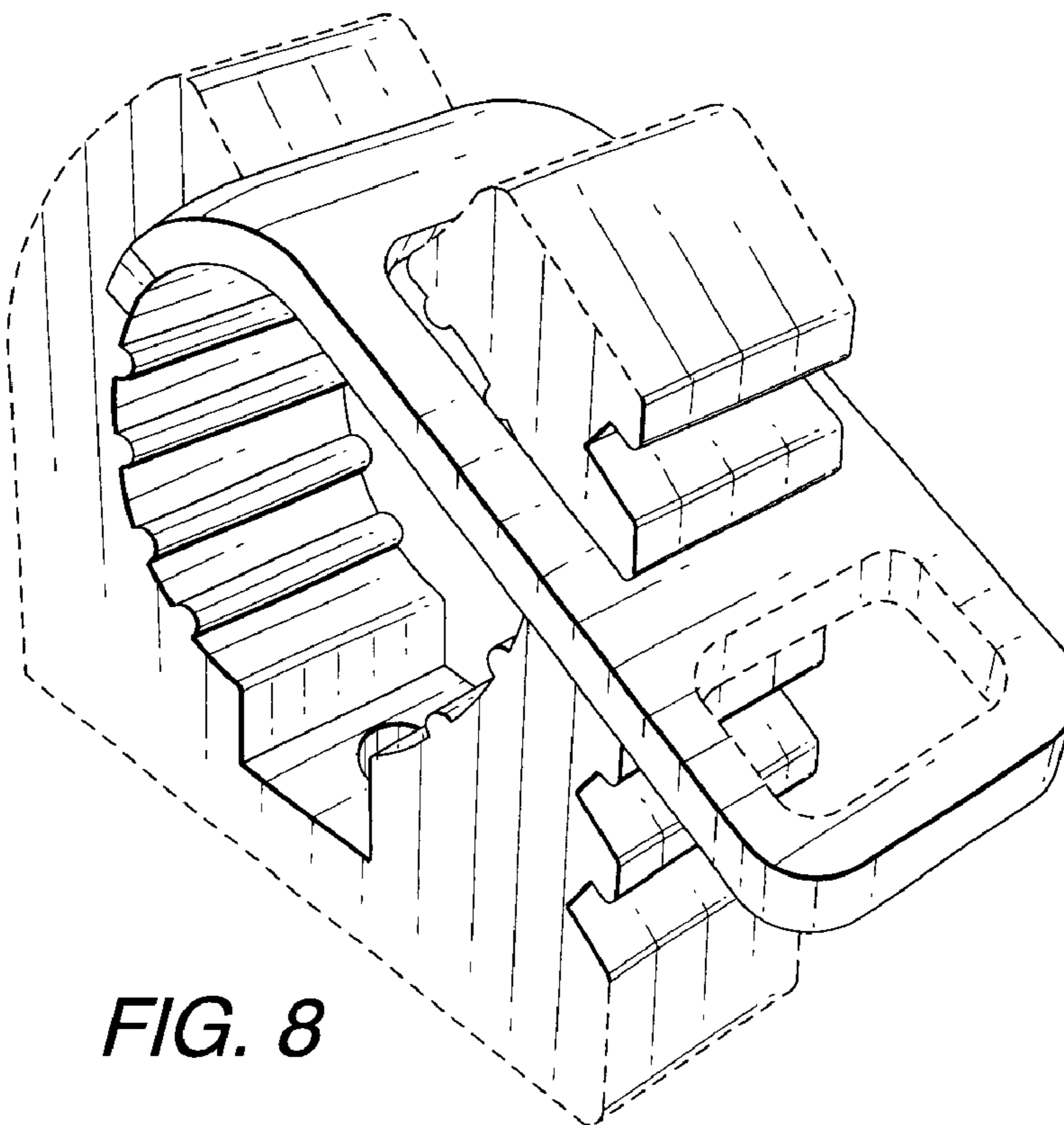


FIG. 8

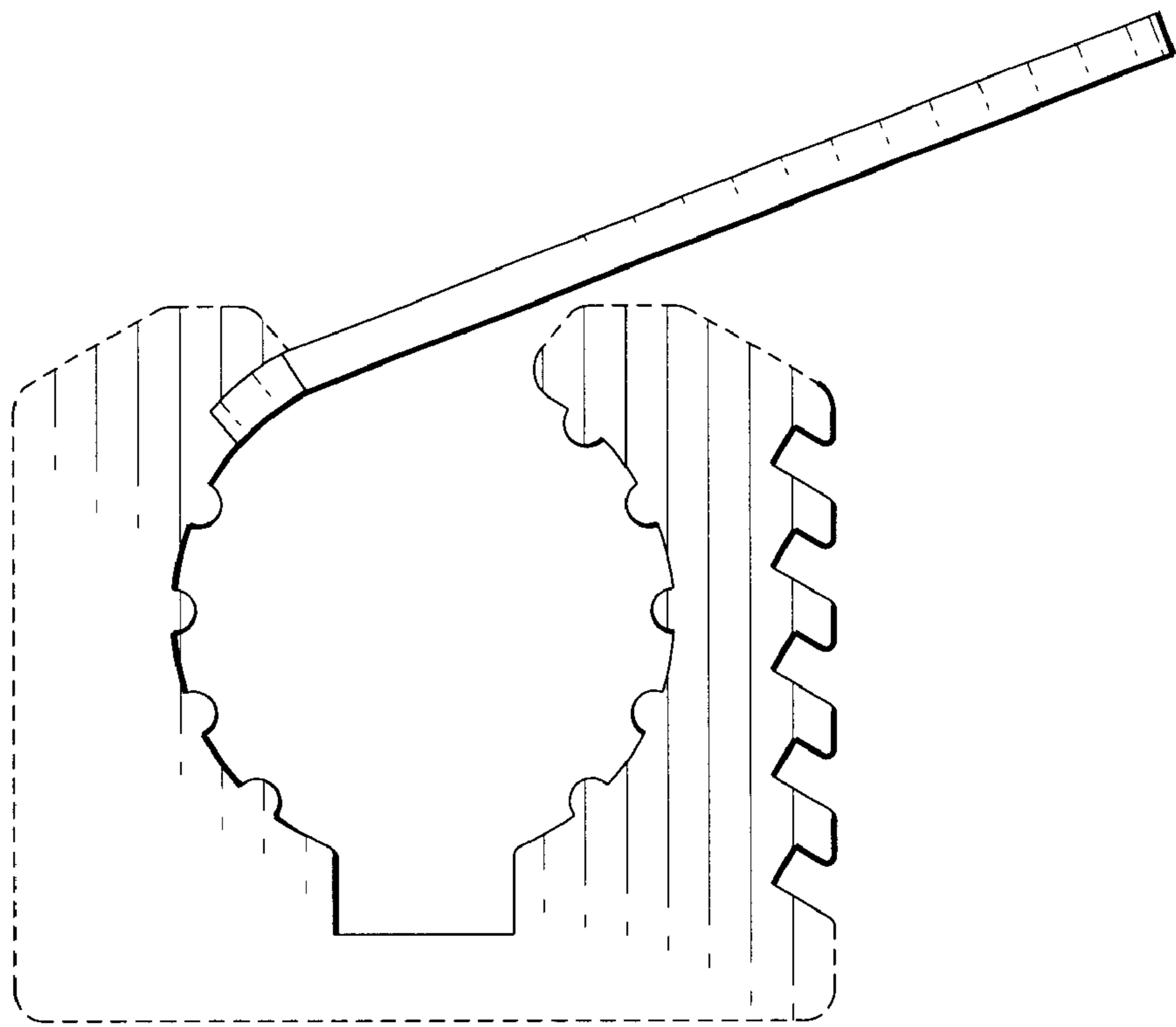


FIG. 2

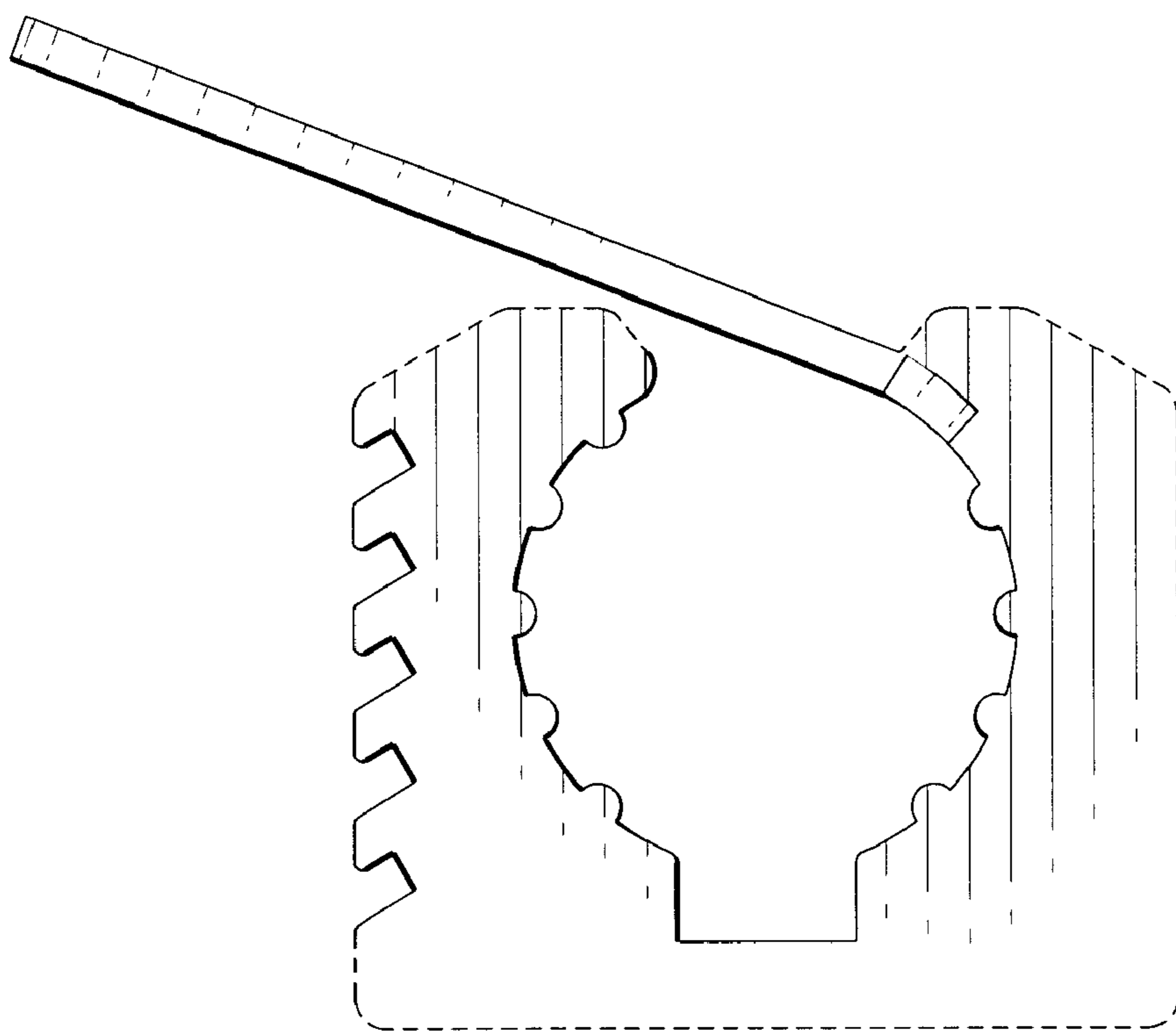


FIG. 3

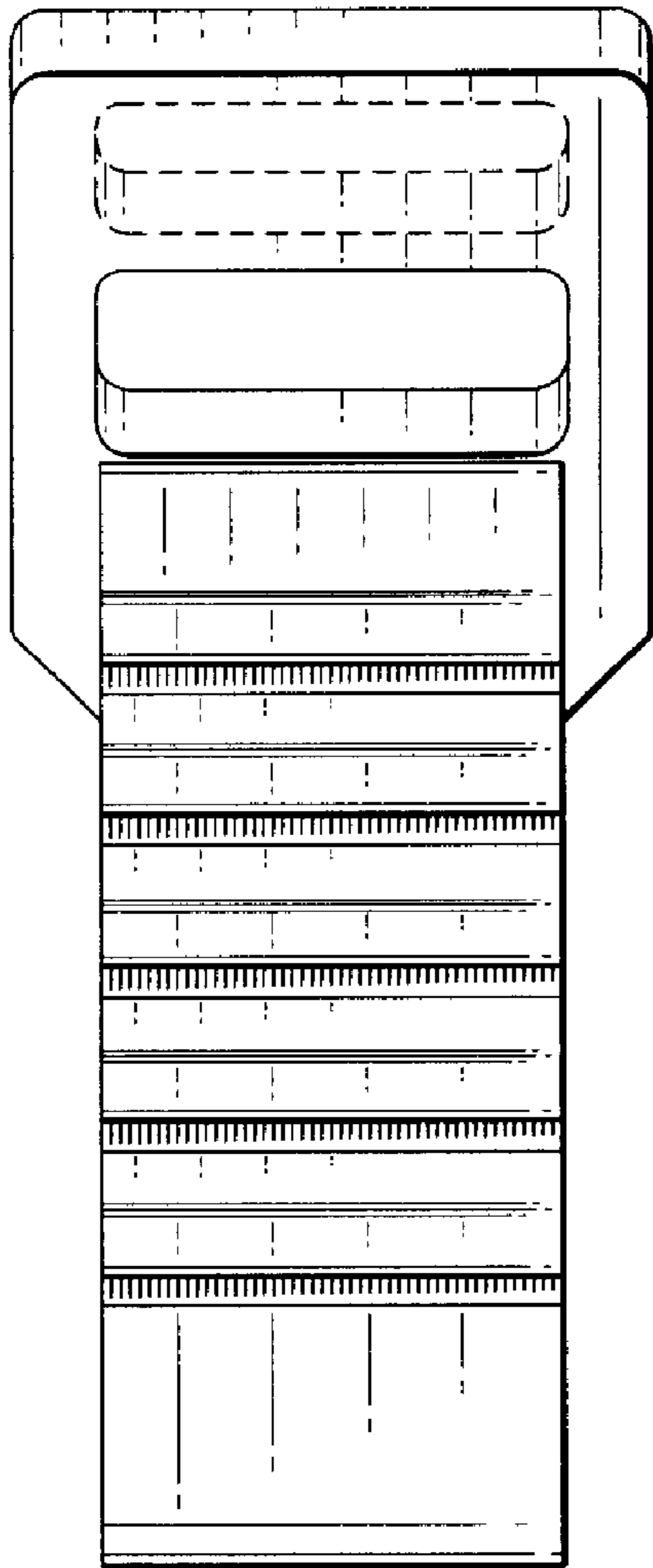


FIG. 4

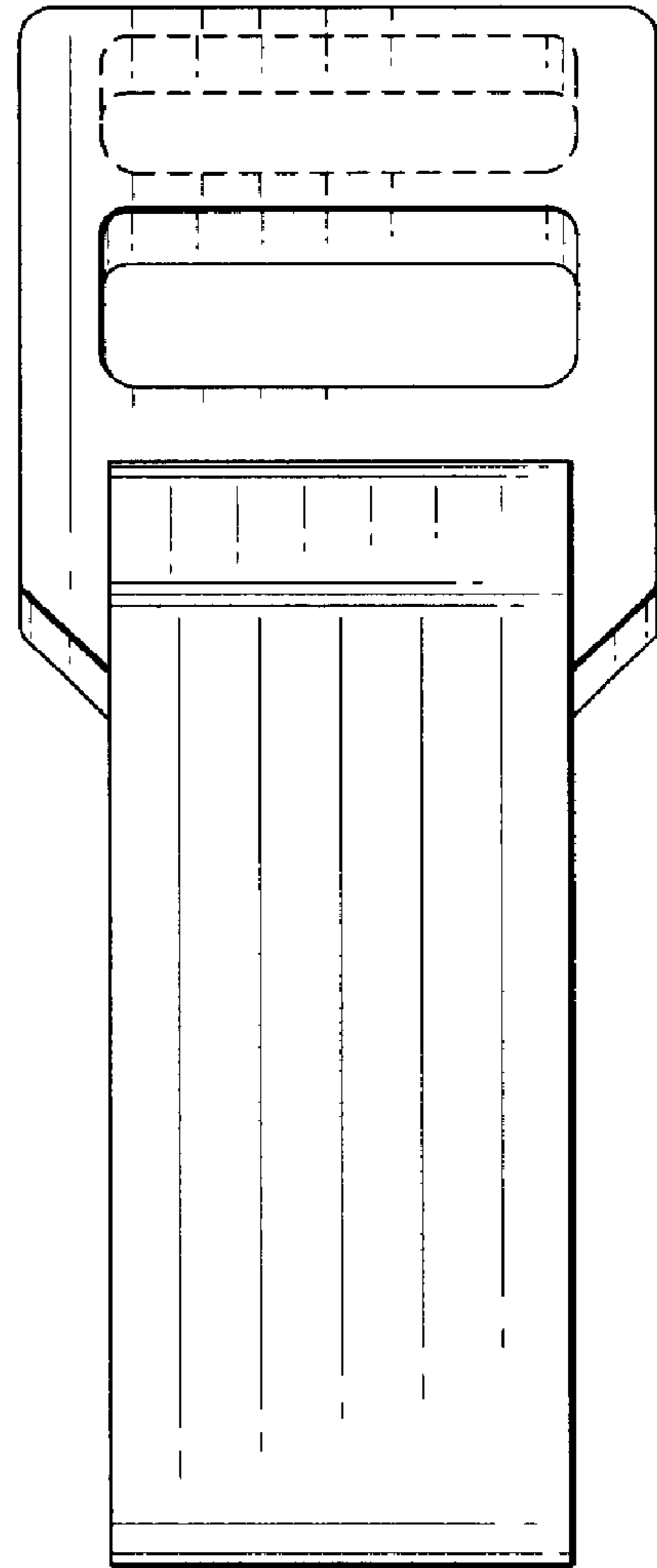


FIG. 5

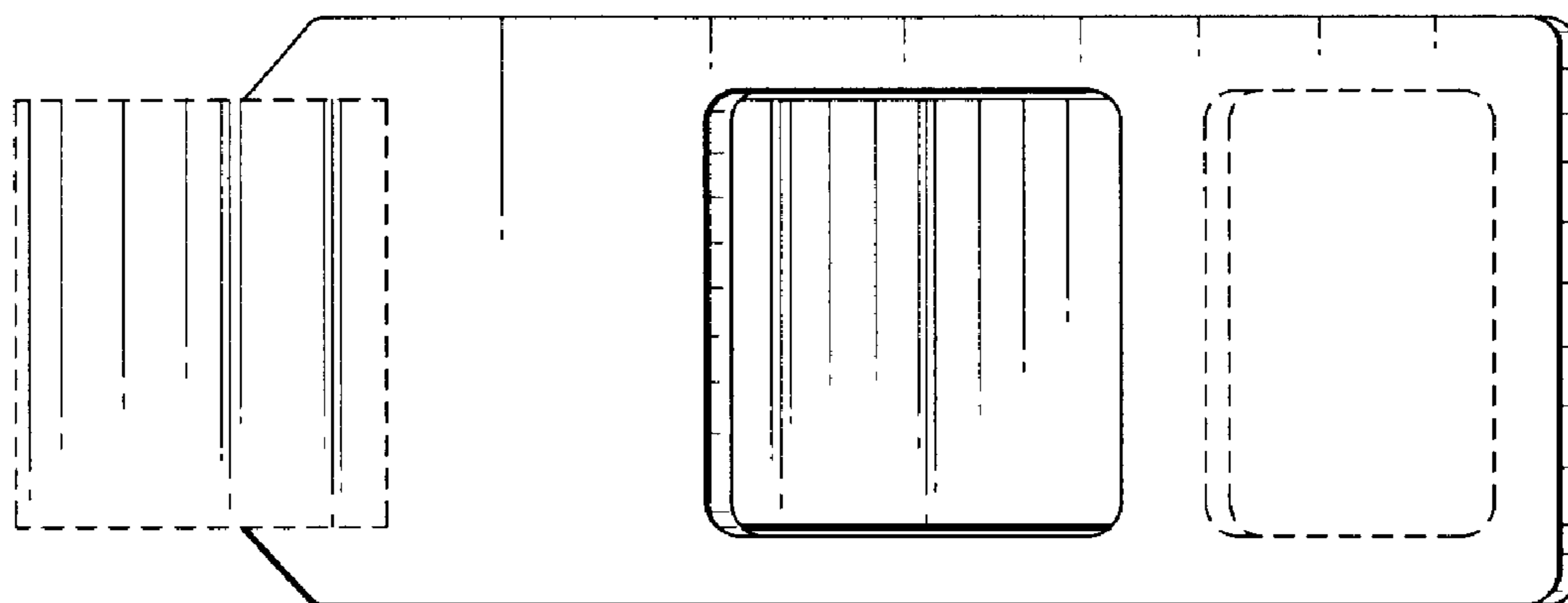


FIG. 6

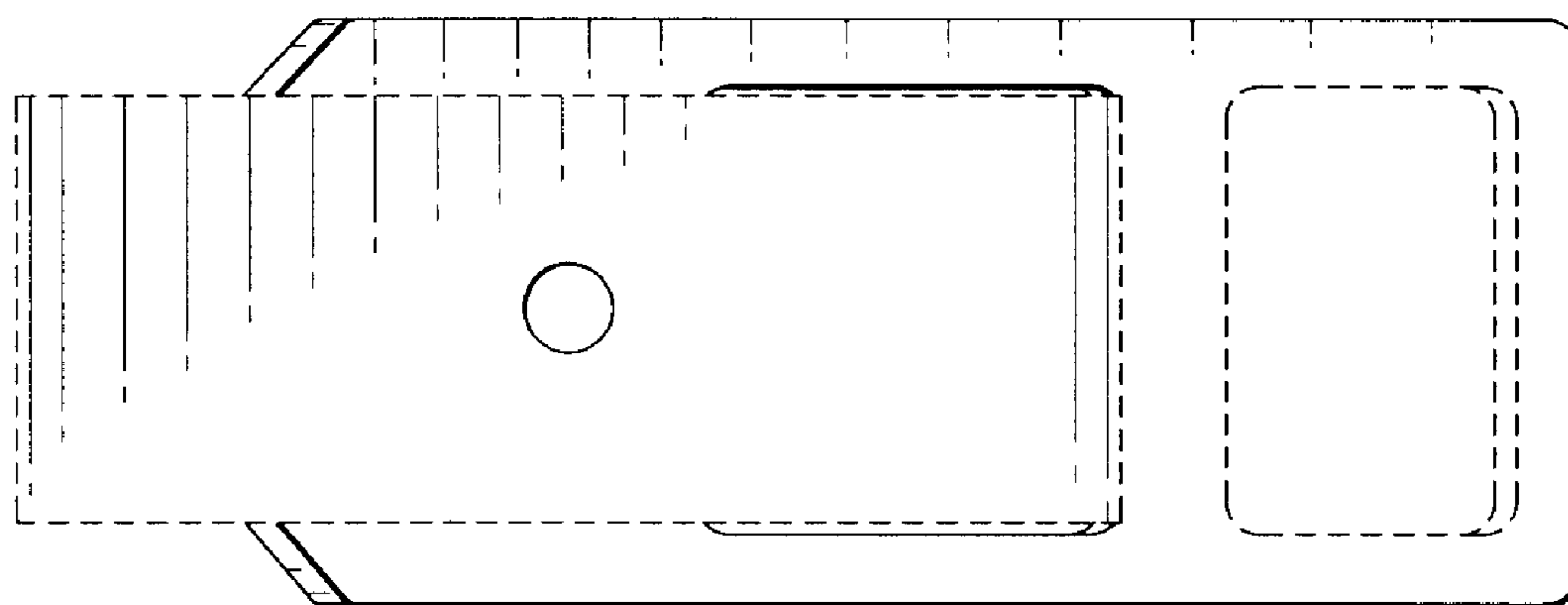


FIG. 7