



US00D521365S

(12) **United States Design Patent**
Wall

(10) **Patent No.:** **US D521,365 S**

(45) **Date of Patent:** **** May 23, 2006**

(54) **CONNECTING ELEMENT FOR SHEET PILES**

D471,083 S * 3/2003 Wall D8/382
D471,793 S * 3/2003 Wall D8/382
D471,794 S * 3/2003 Wall D8/382
D472,455 S * 4/2003 Wall D8/382

(75) Inventor: **Georg Wall**, Munich (DE)

(73) Assignee: **PilePro LLC**, Rapid City, SD (US)

* cited by examiner

(**) Term: **14 Years**

Primary Examiner—Holly H. Baynham

(21) Appl. No.: **29/218,174**

(74) *Attorney, Agent, or Firm*—Milde & Hoffberg, LLP

(22) Filed: **Nov. 29, 2004**

(57) **CLAIM**

(51) **LOC (8) Cl.** **08-08**

The ornamental design for a connecting element for sheet piles, as shown and described.

(52) **U.S. Cl.** **D8/382**

(58) **Field of Classification Search** D8/382,
D8/394–395; D25/119; 405/278; 403/279;
24/573.09, 346, 370, 598.5

DESCRIPTION

See application file for complete search history.

FIG. 1 is a perspective view of the connecting element for sheet piles according to my design; and,

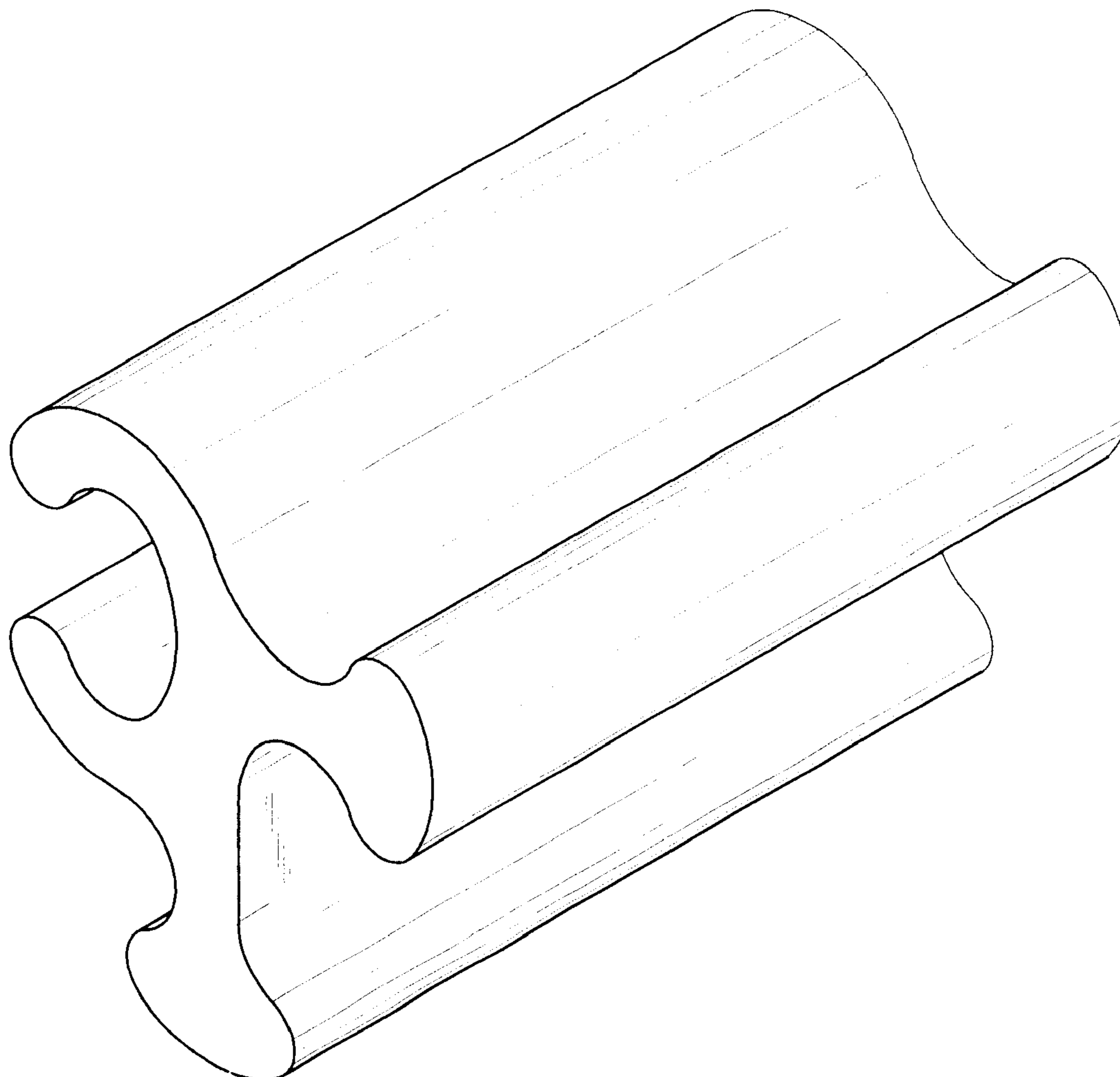
FIG. 2 is an end view of the connecting element of FIG. 1.

(56) **References Cited**

U.S. PATENT DOCUMENTS

6,282,762 B1 * 9/2001 Wall 24/573.09

1 Claim, 2 Drawing Sheets



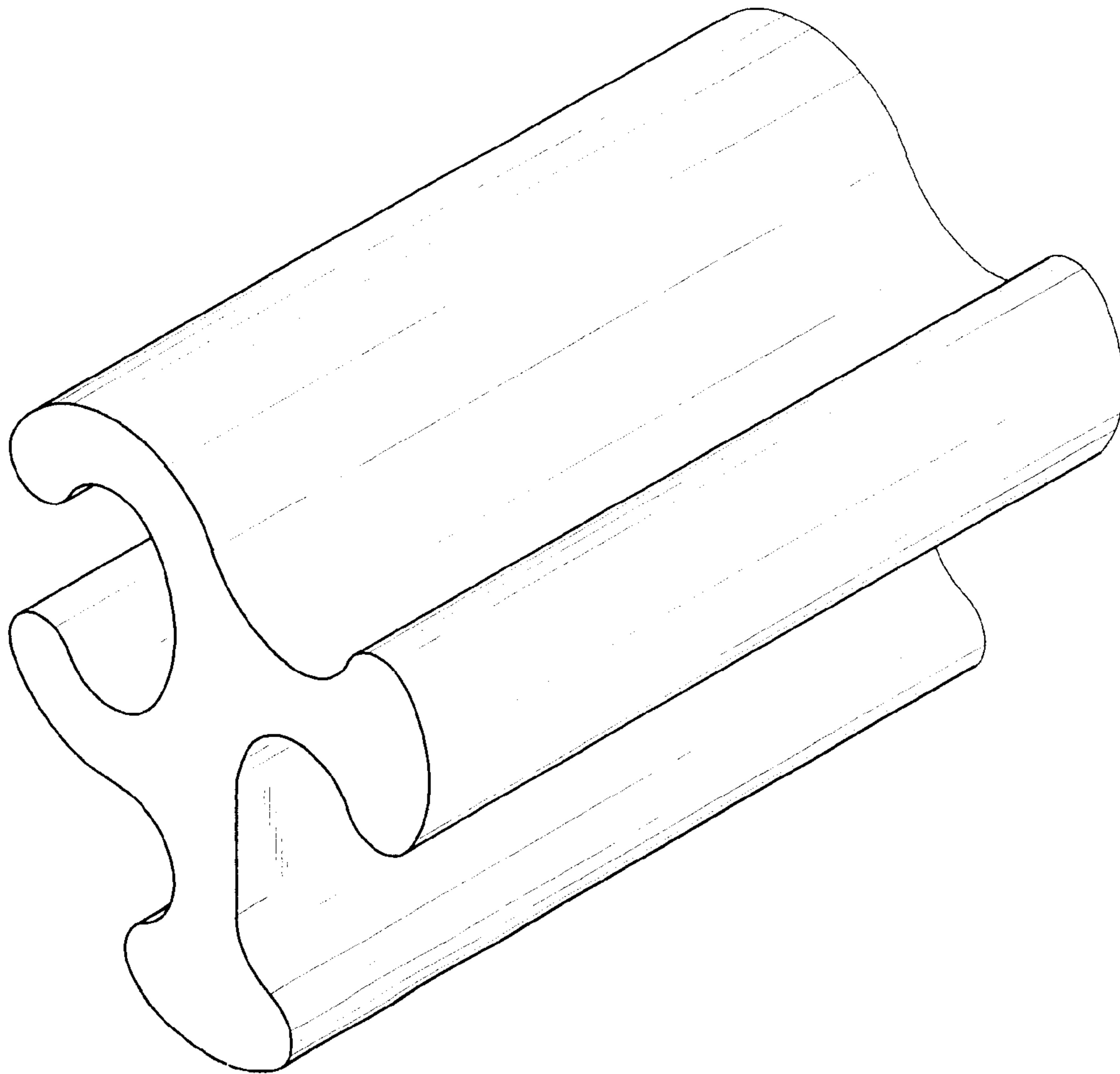


FIG. 1

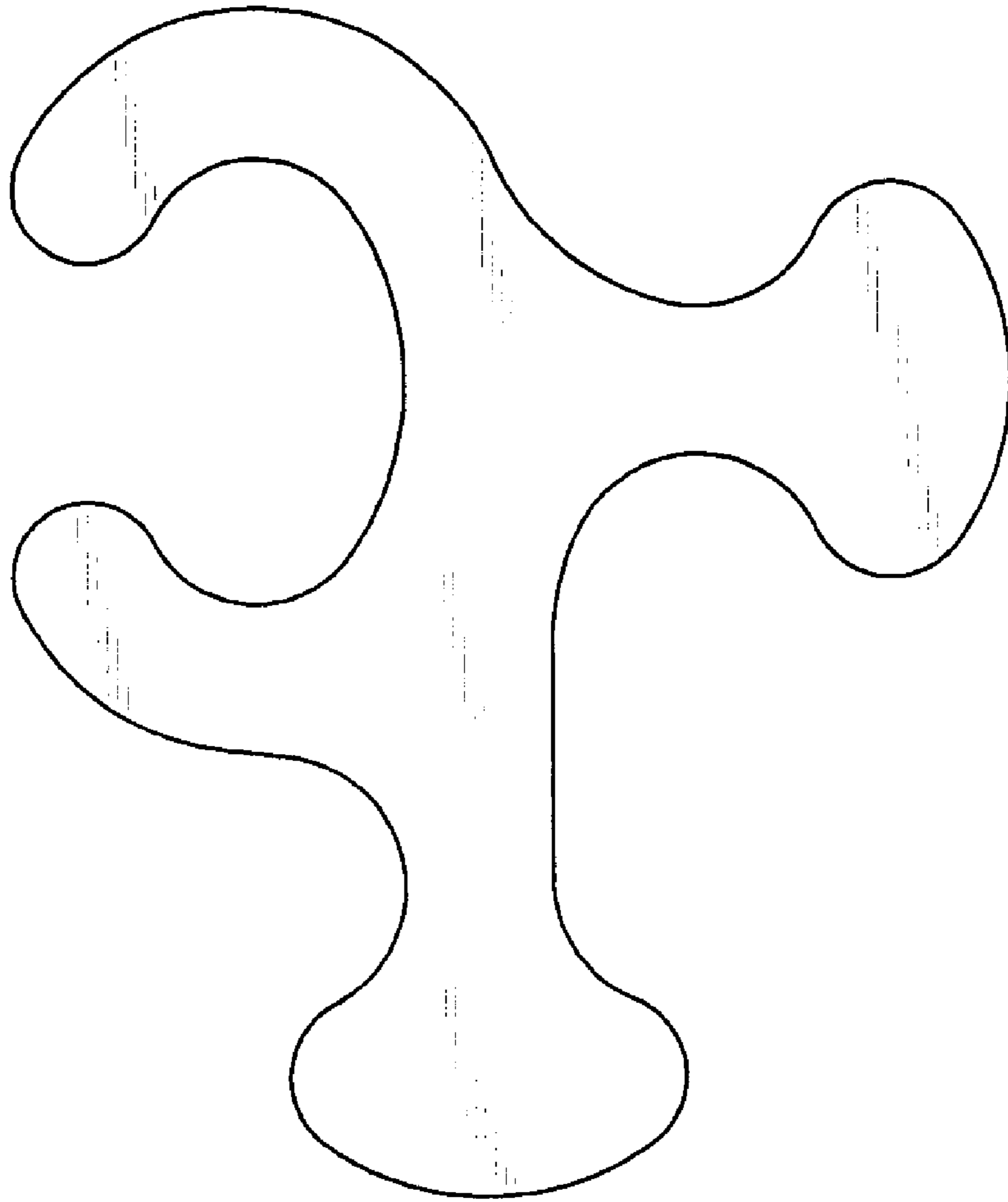


FIG. 2