

US00D521364S

(12) **United States Design Patent**  
**Wall**

(10) **Patent No.:** **US D521,364 S**

(45) **Date of Patent:** **\*\* May 23, 2006**

(54) **CONNECTING ELEMENT FOR SHEET PILES**

D471,794 S \* 3/2003 Wall ..... D8/382  
D479,797 S \* 9/2003 Wall ..... D8/382  
D479,983 S \* 9/2003 Wall ..... D8/382

(75) Inventor: **Georg Wall**, Munich (DE)

\* cited by examiner

(73) Assignee: **PilePro, LLC**, Rapid City, SD (US)

(\*\*) Term: **14 Years**

*Primary Examiner*—Holly H. Baynham

(74) *Attorney, Agent, or Firm*—Milde & Hoffberg, LLP

(21) Appl. No.: **29/218,165**

(22) Filed: **Nov. 29, 2004**

(57) **CLAIM**

(51) **LOC (8) Cl.** ..... **08-08**

The ornamental design for a connecting element for sheet piles, as shown and described.

(52) **U.S. Cl.** ..... **D8/382**

(58) **Field of Classification Search** ..... D8/382,  
D8/394–395; D25/119; 403/363, 357, 381;  
405/70, 278–279; 24/573.09, 346, 370, 597,  
24/598.5

**DESCRIPTION**

See application file for complete search history.

FIG. 1 is a perspective view of the connecting element for sheet piles according to my design; and,

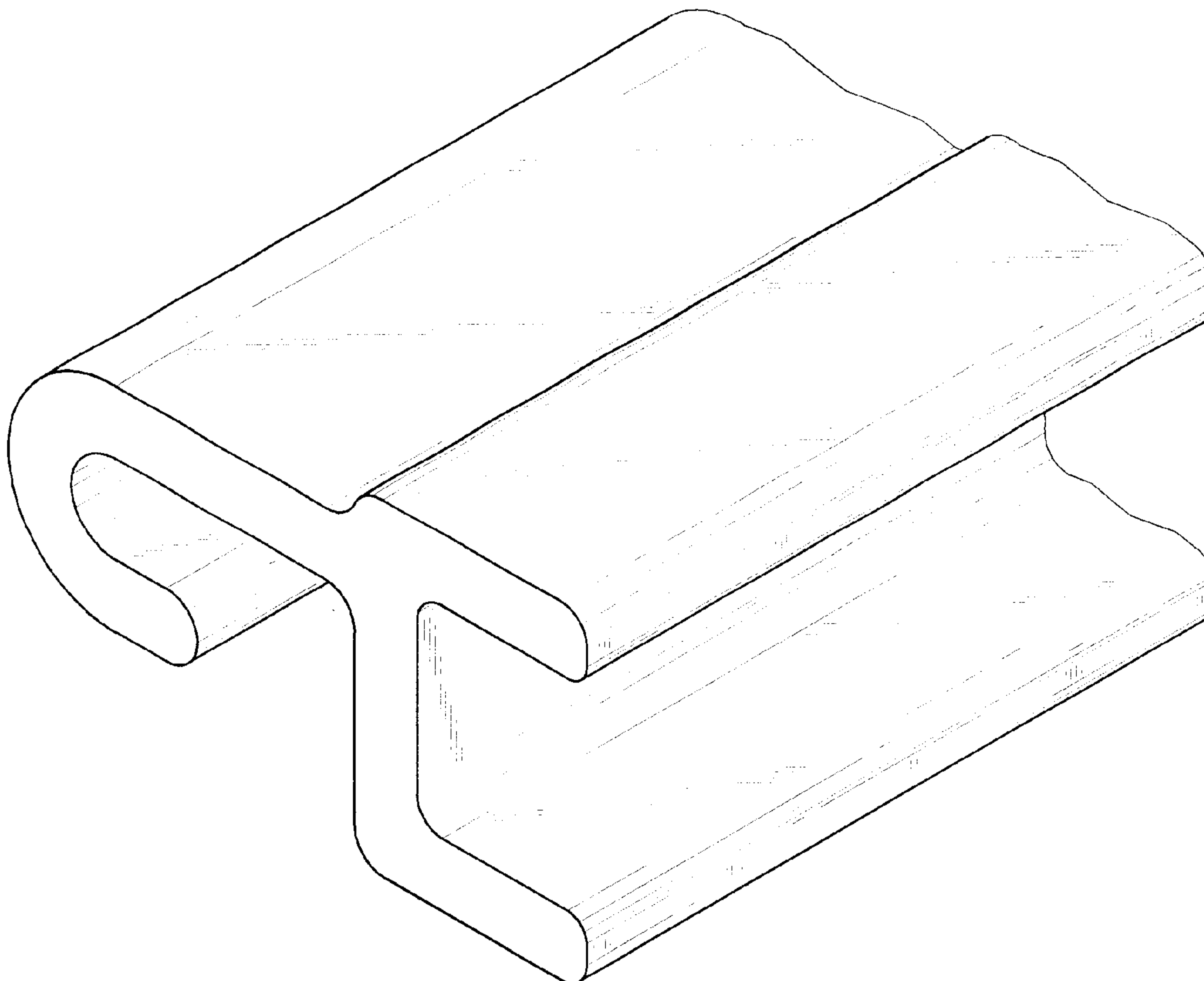
FIG. 2 is an end view of the connecting element of FIG. 1.

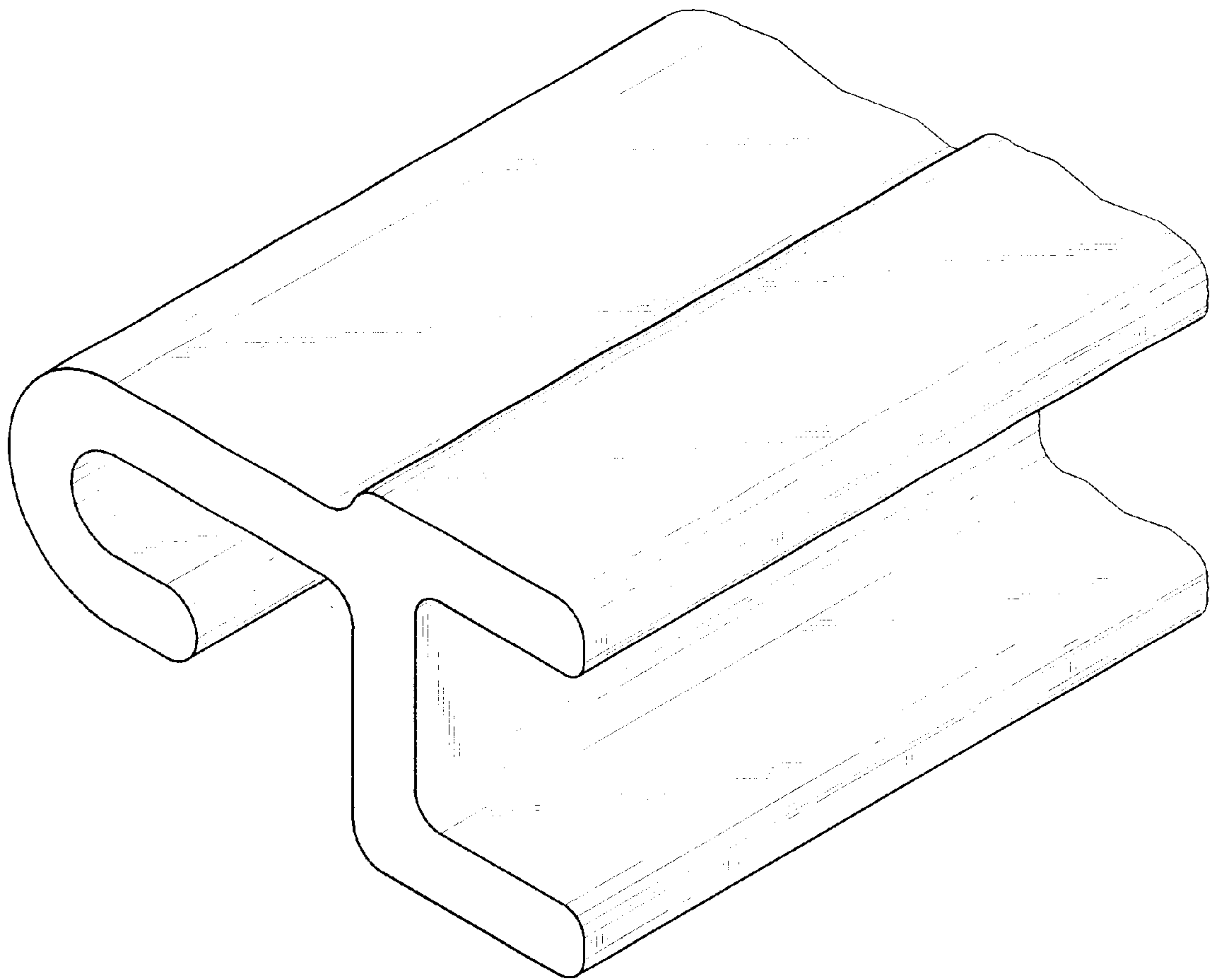
(56) **References Cited**

U.S. PATENT DOCUMENTS

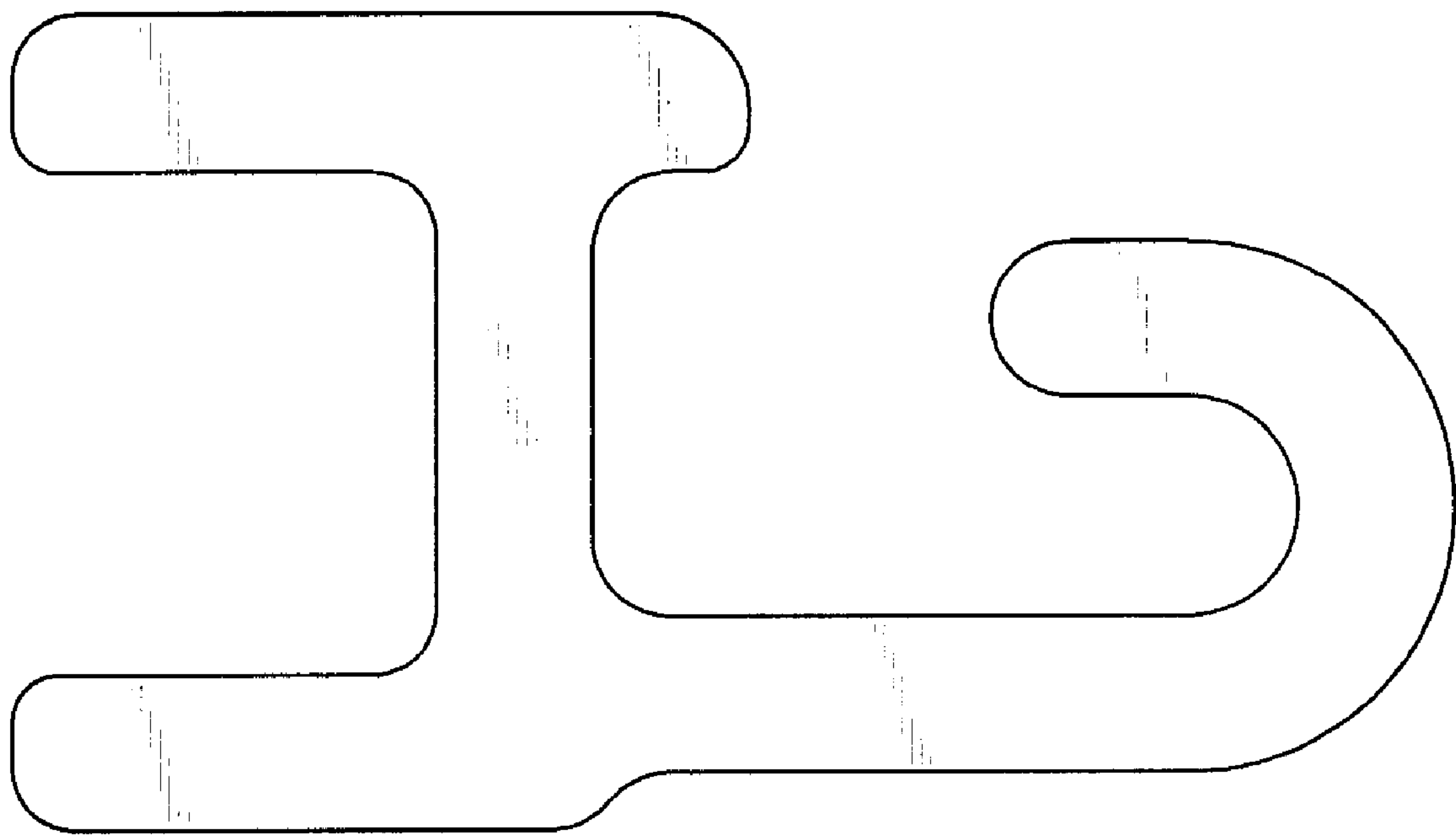
D471,083 S \* 3/2003 Wall ..... D8/382

**1 Claim, 2 Drawing Sheets**





*FIG. 1*



*FIG. 2*