



US00D521363S

(12) **United States Design Patent** (10) **Patent No.:** **US D521,363 S**
Copen et al. (45) **Date of Patent:** **** May 23, 2006**

(54) **END ASSEMBLY FOR A MERCHANDISE
 DISPLAY HOOK**

(76) Inventors: **Frank H. Copen**, 7304 Newkirk Rd.,
 Shreve, OH (US) 44676; **Richard E.
 Corney**, 4894 Provens Rd., Akron, OH
 (US) 44319

(**) Term: **14 Years**

(21) Appl. No.: **29/201,301**

(22) Filed: **Mar. 12, 2004**

(Under 37 CFR 1.47)

(51) **LOC (8) Cl.** **08-56**

(52) **U.S. Cl.** **D8/363**

(58) **Field of Classification Search** D8/367,
 D8/373, 370, 363; 211/57.1, 59.1; 40/642.01;
 248/220.31, 220.41, 22.42, 220.43
 See application file for complete search history.

(56) **References Cited**

U.S. PATENT DOCUMENTS

1,695,517 A	12/1928	Waldbauer
2,441,407 A	5/1948	Glavies
2,868,390 A	1/1959	McCrone
3,048,311 A	8/1962	Neuenfeldt
3,472,385 A	10/1969	Shapiro et al.
3,567,034 A	3/1971	Mozelsio
3,581,905 A	6/1971	Shapiro
3,610,423 A	10/1971	Parillo
3,622,011 A	11/1971	Snow
3,659,721 A	5/1972	Parillo
3,735,875 A	5/1973	Parillo
3,827,569 A	8/1974	Canning
3,934,727 A	1/1976	Brefka
3,993,195 A	11/1976	Caligiuri
4,008,835 A	2/1977	Budzik
4,109,795 A	8/1978	Konigsford et al.
4,254,879 A	3/1981	Maule
4,289,242 A	9/1981	Kenyon
4,289,721 A	9/1981	Ishise
4,300,690 A	11/1981	Thomas
4,324,352 A	4/1982	Goldfarb et al.

4,351,440 A	*	9/1982	Thalenfeld	211/57.1
4,363,430 A		12/1982	Radlin		
4,462,497 A		7/1984	Maule		
4,474,300 A		10/1984	Entis		
4,553,294 A		11/1985	Larsen		
5,009,334 A		4/1991	Bodkins		
5,011,054 A		4/1991	Mauffette		
5,012,997 A		5/1991	Hutchison		

(Continued)

FOREIGN PATENT DOCUMENTS

EP	1199012 A1	4/2002
FR	2795294 A1	12/2000
WO	WO 03/080972	10/2003

Primary Examiner—Holly H. Baynham

(74) *Attorney, Agent, or Firm*—Sand & Sebolt

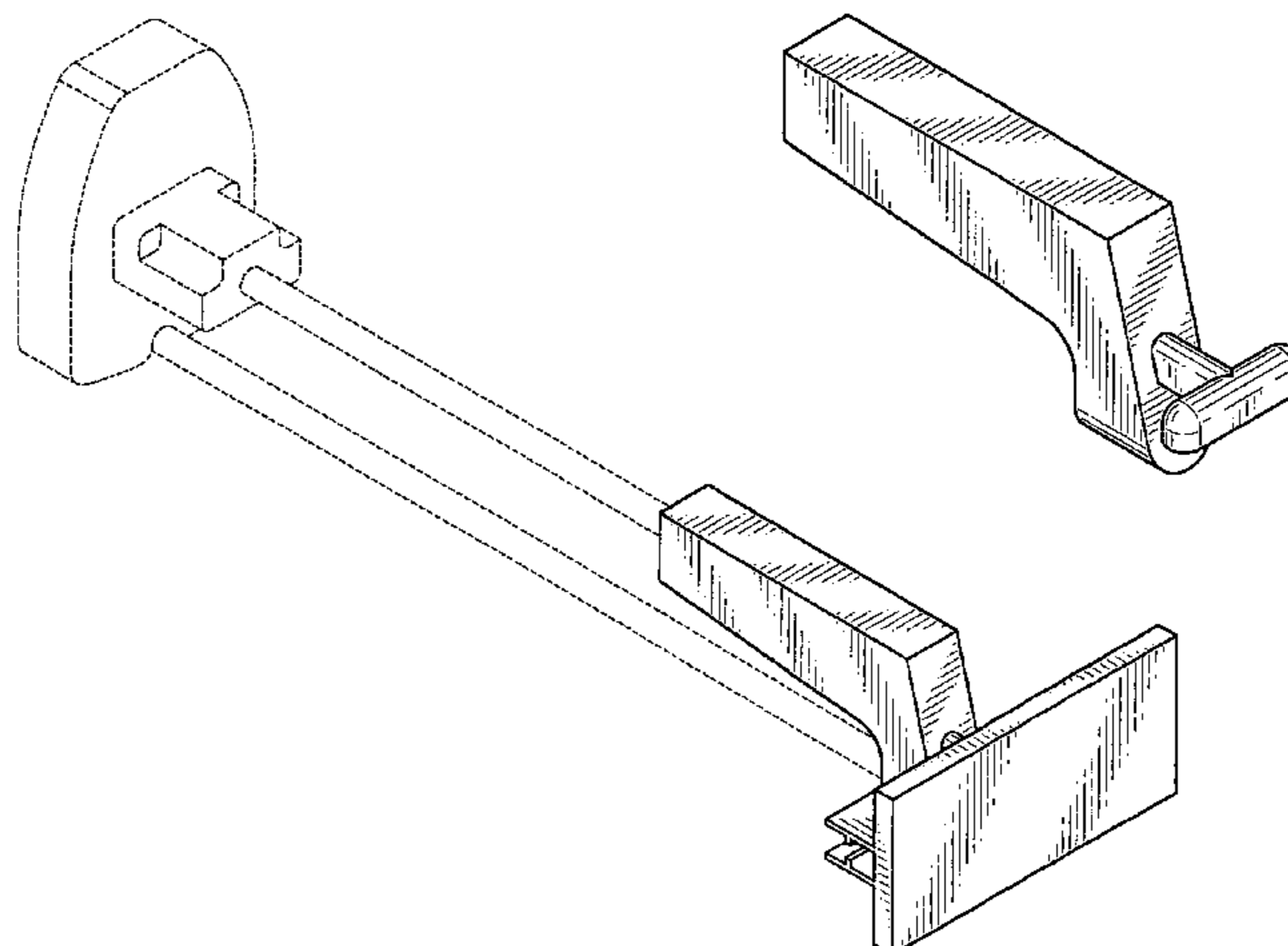
(57) **CLAIM**

The ornamental design for the end assembly for a merchandise display hook, as shown and described.

DESCRIPTION

FIG. 1 is a perspective view of the end assembly for a merchandise display hook showing my new design. FIG. 2 is a left side elevation view of FIG. 1. FIG. 3 is a right side elevation view of FIG. 1. FIG. 4 is a top plan view of FIG. 1. FIG. 5 is a bottom plan view of FIG. 1. FIG. 6 is a front elevation view of FIG. 1. FIG. 7 is a perspective view of the end assembly for a merchandise display hook with the front panel detached. FIG. 8 is a right side elevation view of FIG. 7. FIG. 9 is a left side elevation view of FIG. 7. FIG. 10 is a top plan view of FIG. 7. FIG. 11 is a bottom plan view of FIG. 7. FIG. 12 is a front elevation view of FIG. 7; and, FIG. 13 is a rear elevation view of FIG. 7. The broken line showing of a display hook is for illustrative purposes only and forms no part of the claimed design. The front plate of the claimed design is shown detached for clarity of illustration.

1 Claim, 6 Drawing Sheets



US D521,363 S

Page 2

U.S. PATENT DOCUMENTS

5,018,627 A	5/1991	Moore		5,702,008 A	12/1997	Thalenfeld et al.	
5,027,622 A	7/1991	Hatch et al.		5,711,432 A	1/1998	Stein et al.	
5,042,669 A	8/1991	Goldring		5,765,801 A	6/1998	Geiselman	
5,082,215 A	1/1992	Hutchison		5,823,358 A	10/1998	Leyden et al.	
5,160,048 A	11/1992	Leyden et al.		5,823,407 A	10/1998	Mayer et al.	
5,251,757 A	10/1993	Relyea et al.		5,826,359 A	* 10/1998	Thalenfeld et al.	40/642.01
5,251,767 A	10/1993	Wiederer		6,003,685 A	12/1999	Malin	
5,259,220 A	11/1993	Fredrickson		6,131,748 A	10/2000	Kawasaki et al.	
5,275,027 A	1/1994	Eklof et al.		6,141,894 A	* 11/2000	Thalenfeld et al.	40/642.01
5,348,167 A	9/1994	Jensen		6,223,915 B1	5/2001	Waner	
5,407,170 A	4/1995	Slivon et al.		6,279,256 B1	8/2001	Norolof et al.	
5,423,436 A	6/1995	Morrow		6,349,909 B1	2/2002	Zarrow et al.	
5,429,334 A	* 7/1995	Hutchison	248/220.41	6,389,722 B1	* 5/2002	Josefsson et al.	40/642.01
5,441,161 A	8/1995	Merl		6,446,819 B1	9/2002	Mattesky	
5,442,872 A	* 8/1995	Moser	40/642.01	6,474,478 B1	11/2002	Huehner et al.	
5,485,930 A	1/1996	Rushing		6,622,979 B1	9/2003	Valiulis	
5,542,633 A	8/1996	Nagel		6,659,291 B1	12/2003	Huehner et al.	
5,597,150 A	1/1997	Stein et al.		2001/0013567 A1	8/2001	Valiulis	
5,624,040 A	4/1997	Hono		2003/0029816 A1	2/2003	Huehner et al.	
5,676,258 A	10/1997	Leyden et al.		2004/0026344 A1	2/2004	Sedon et al.	
5,689,978 A	11/1997	Eklof et al.					

* cited by examiner

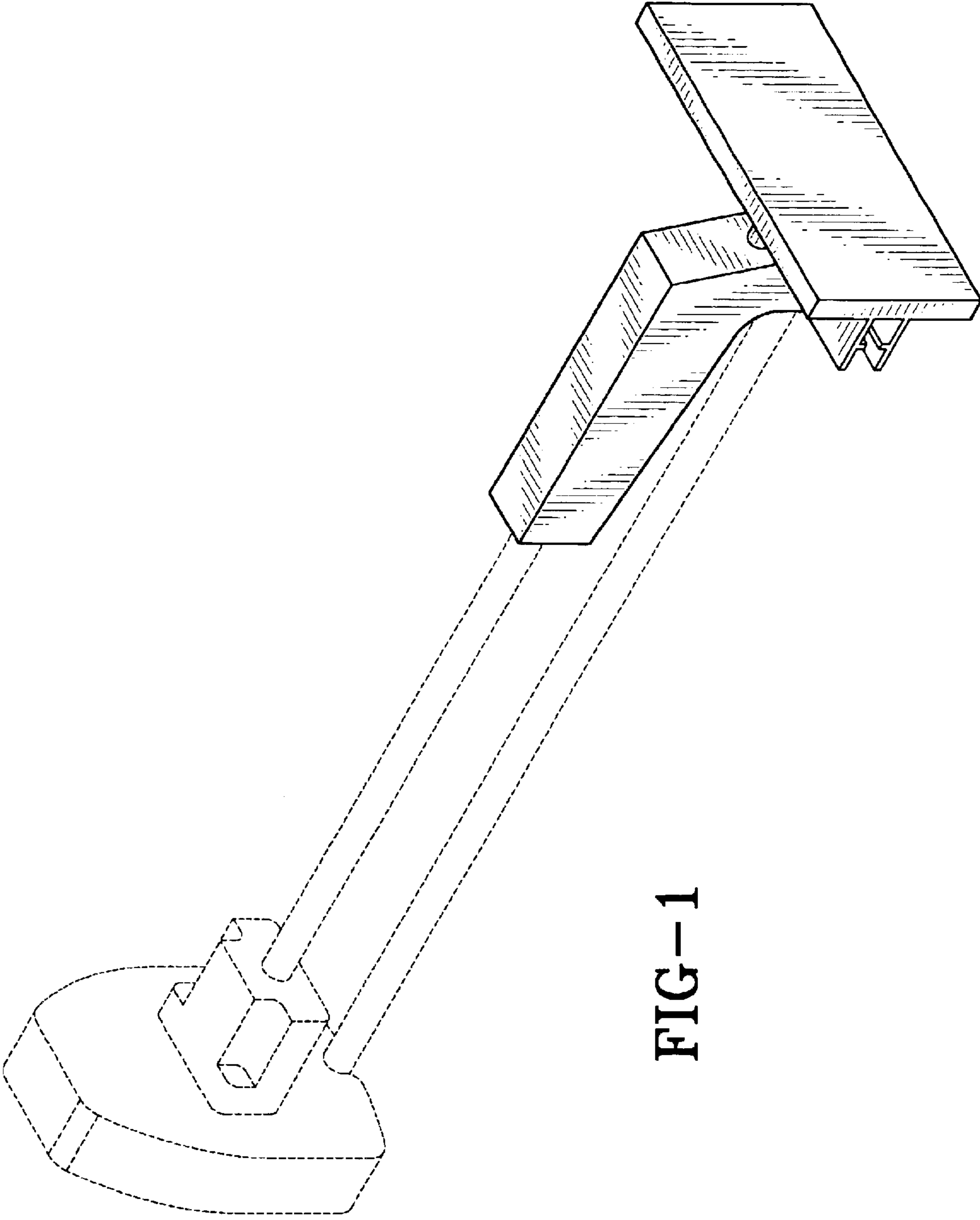


FIG-1

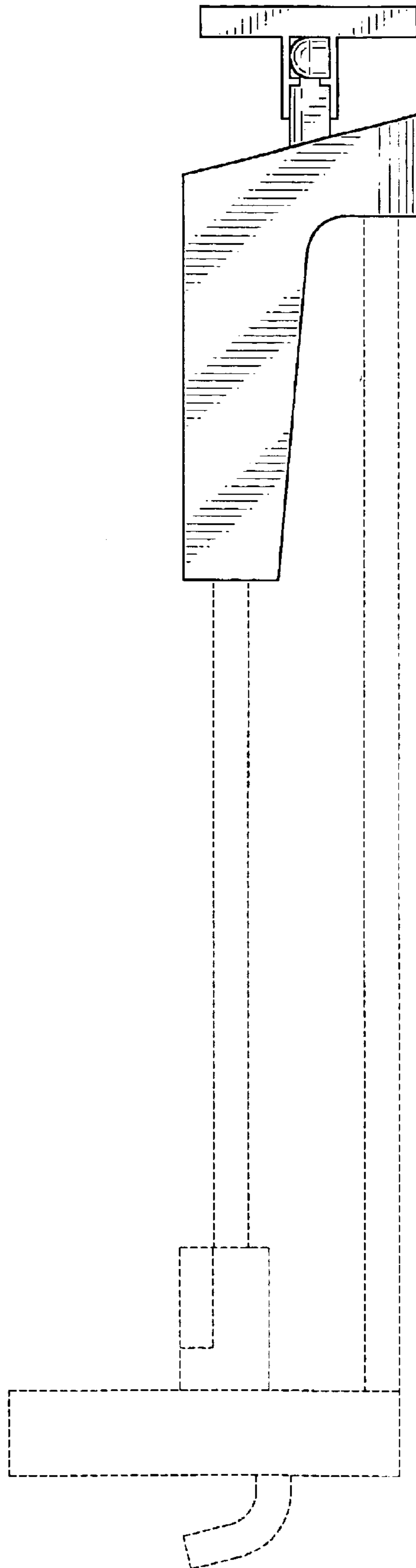


FIG-2

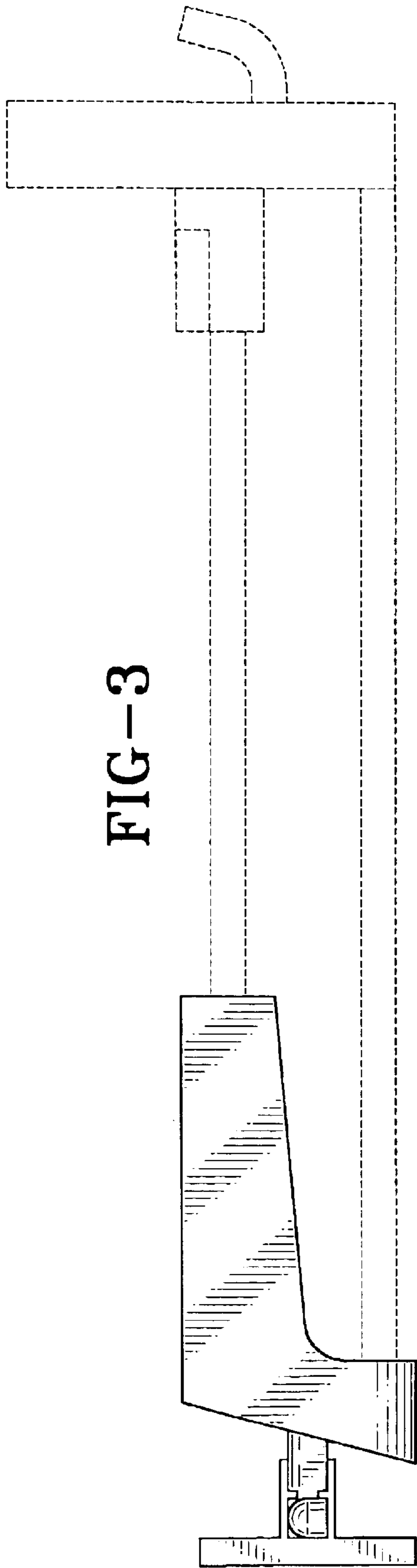


FIG-3

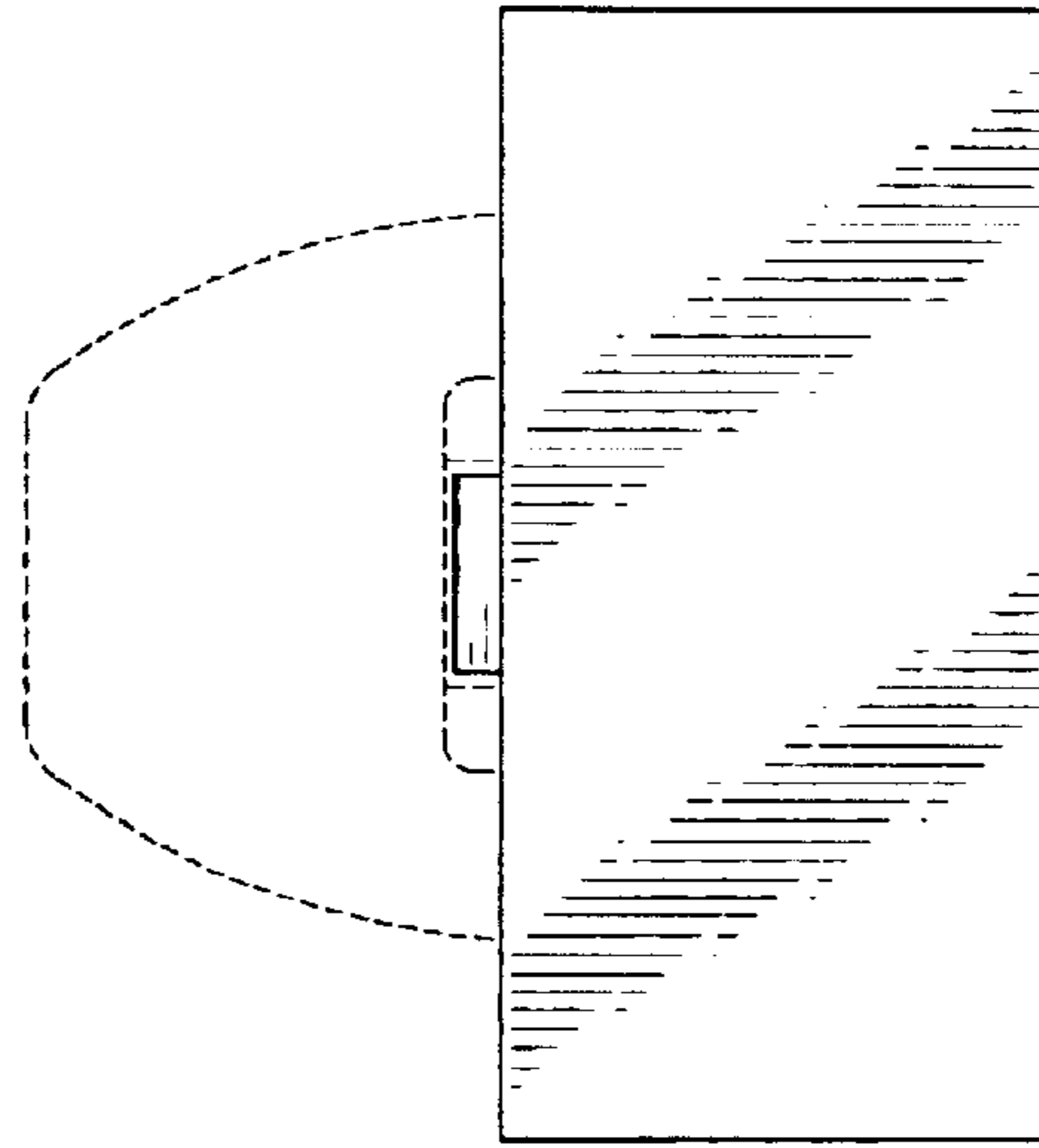
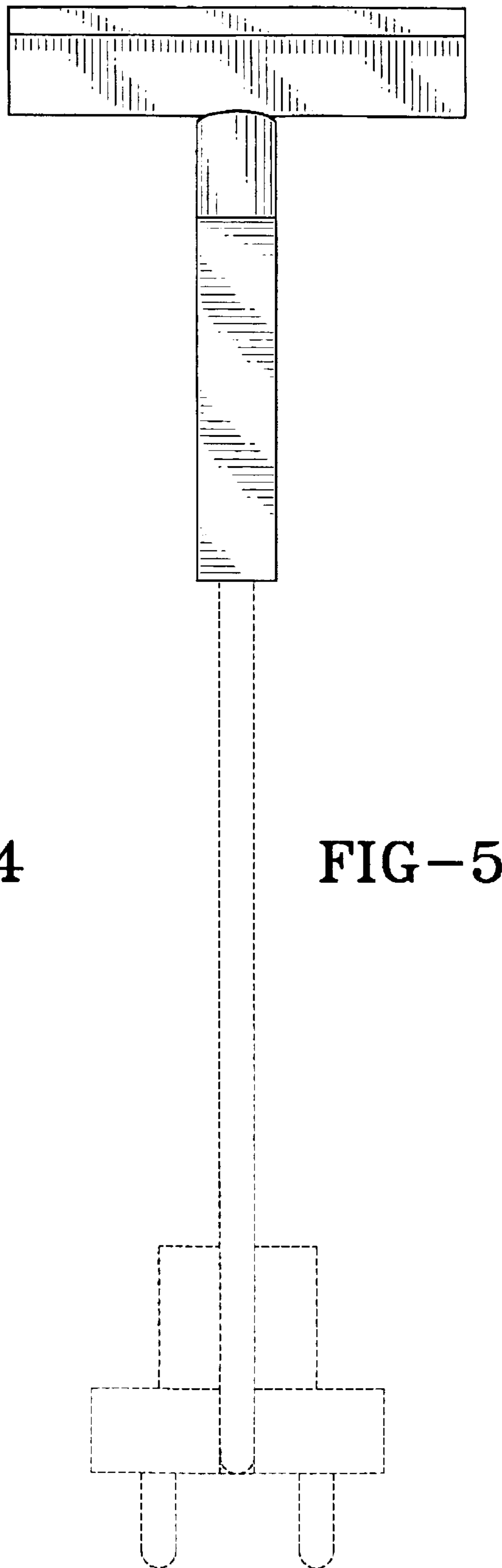
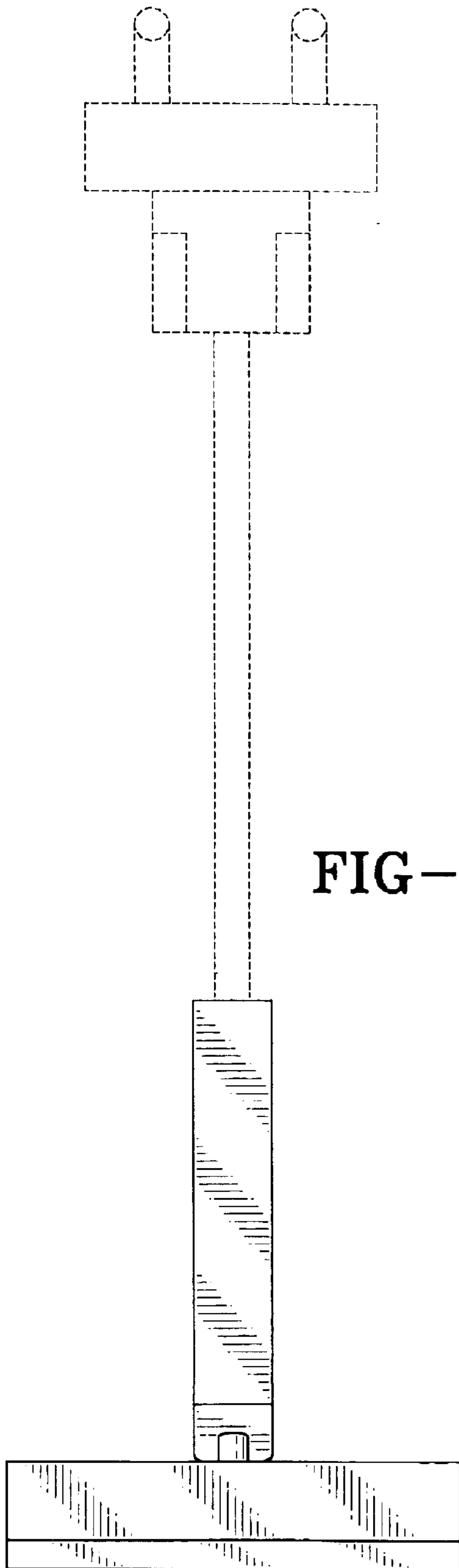


FIG-6



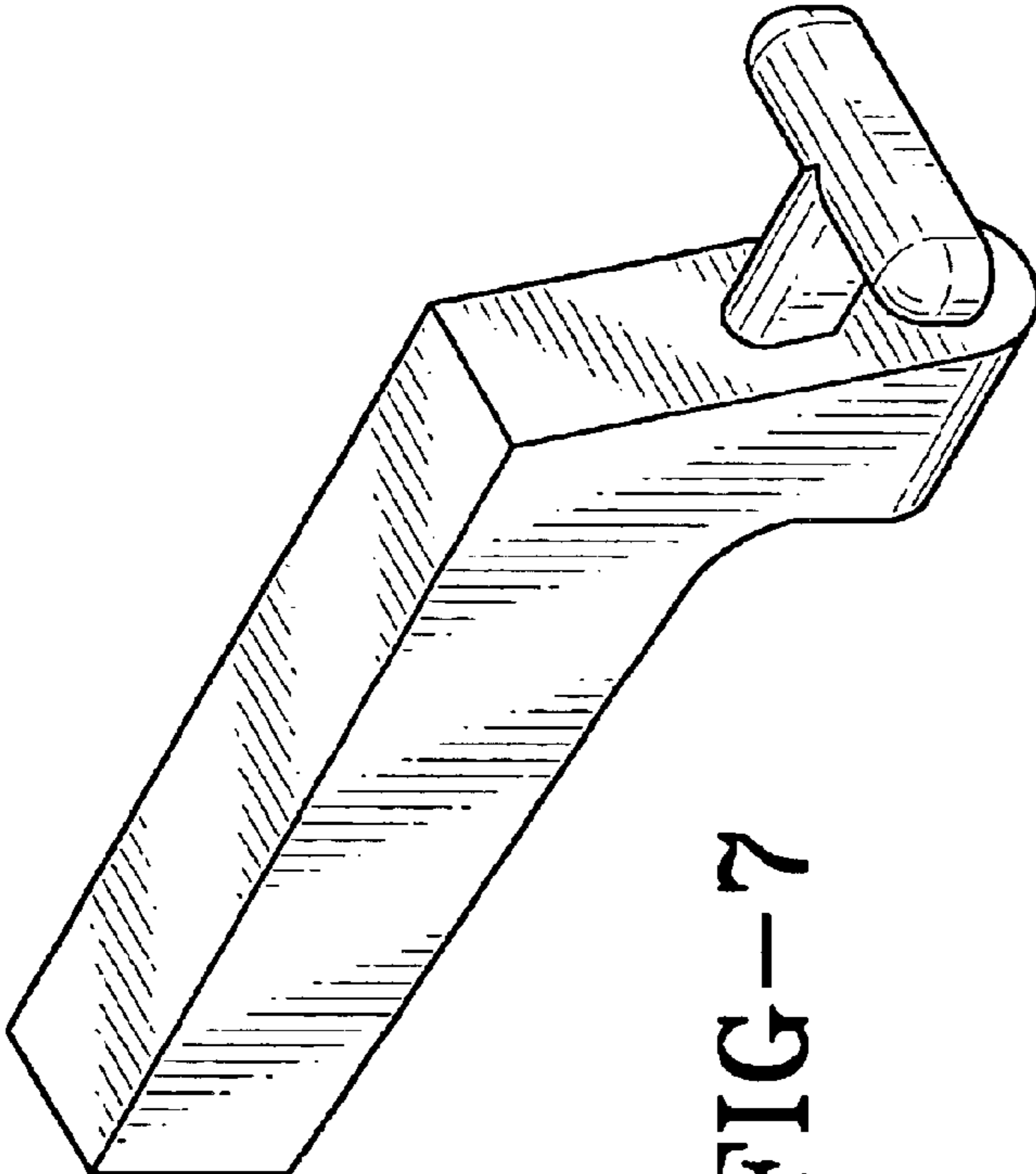


FIG-7

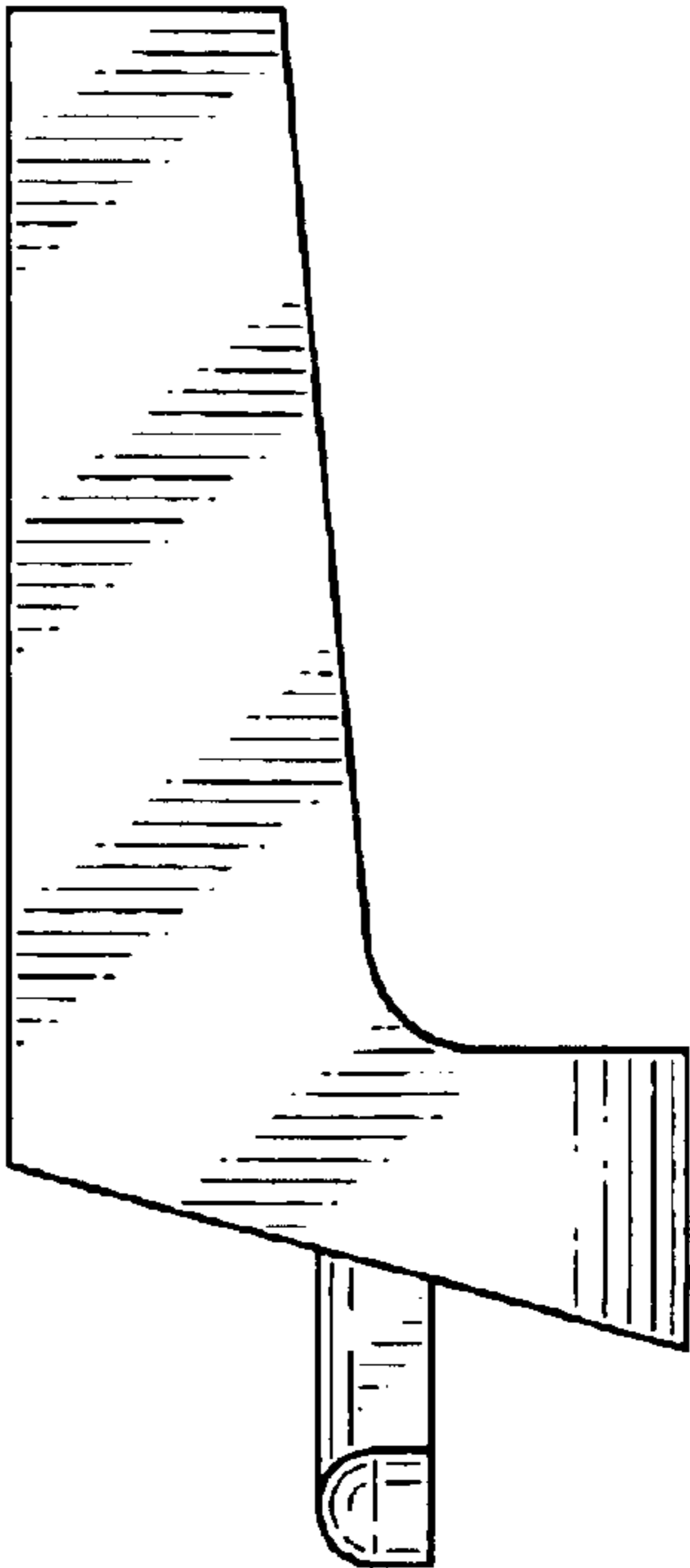


FIG-8

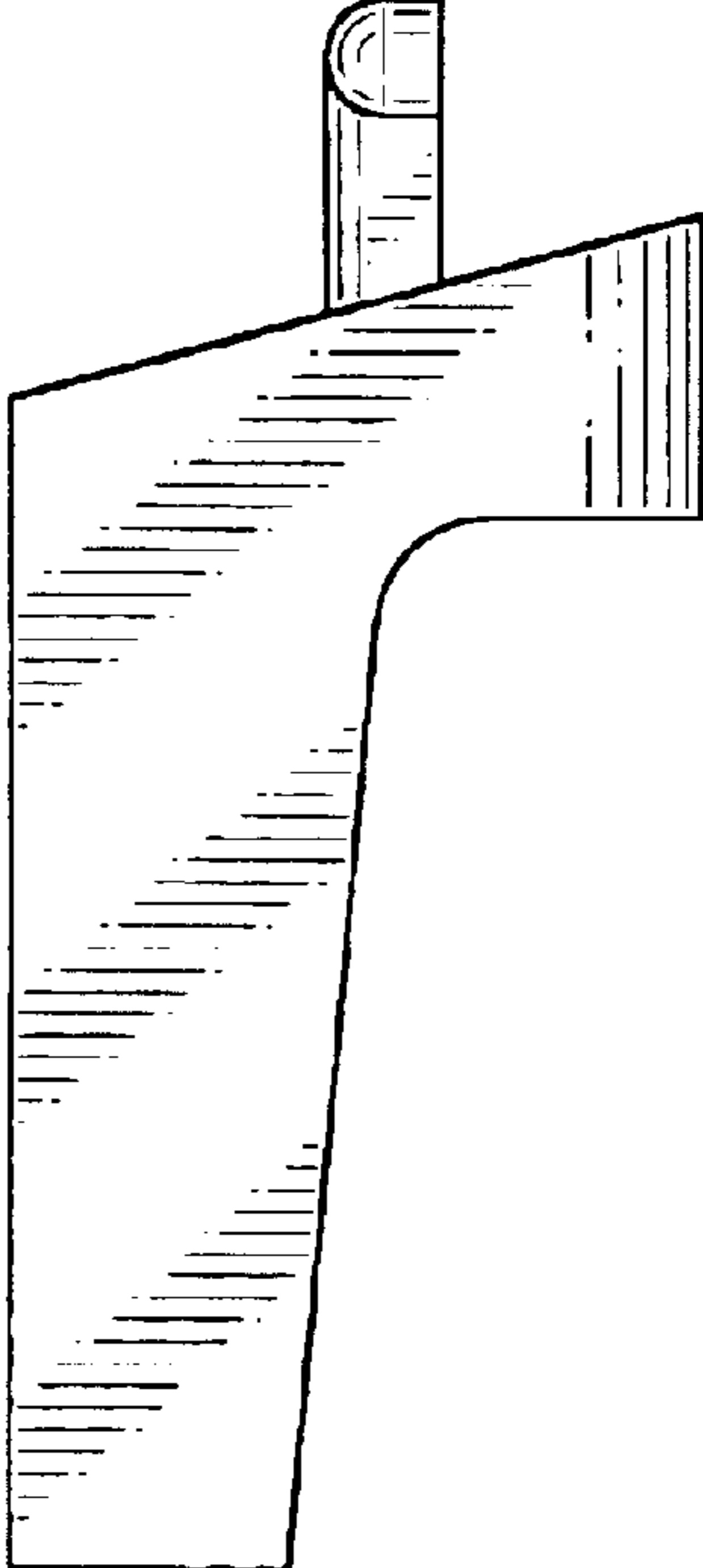


FIG-9

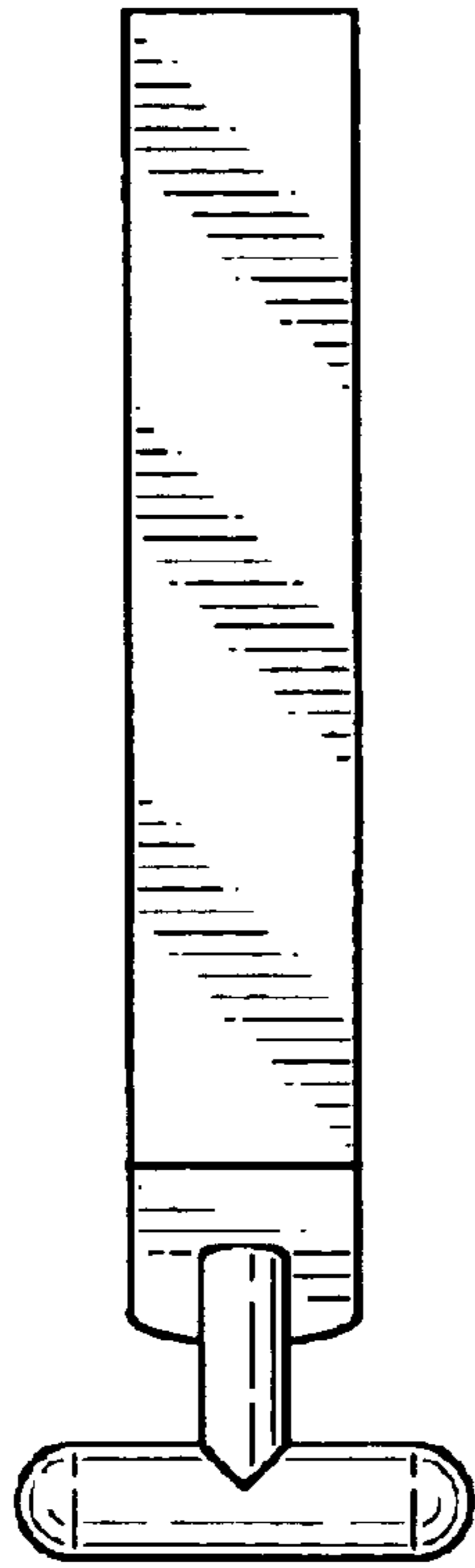


FIG-10

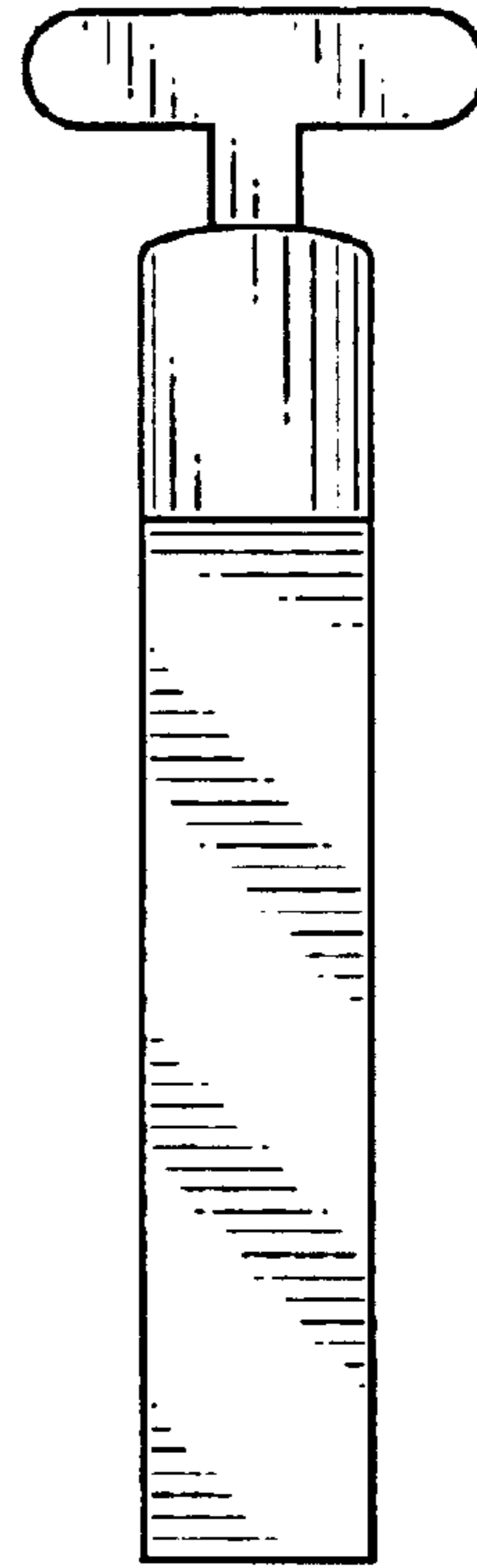


FIG-11

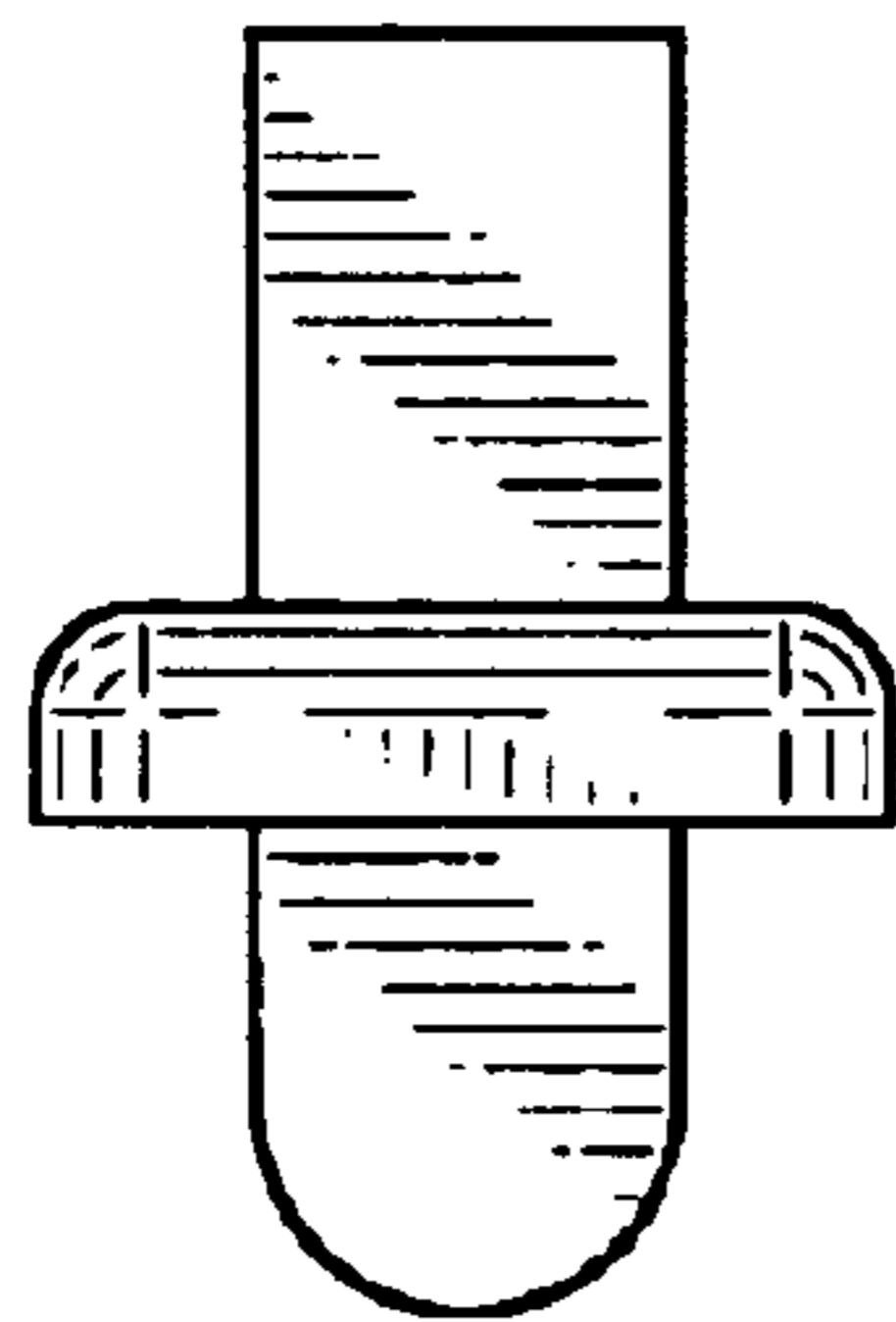


FIG-12

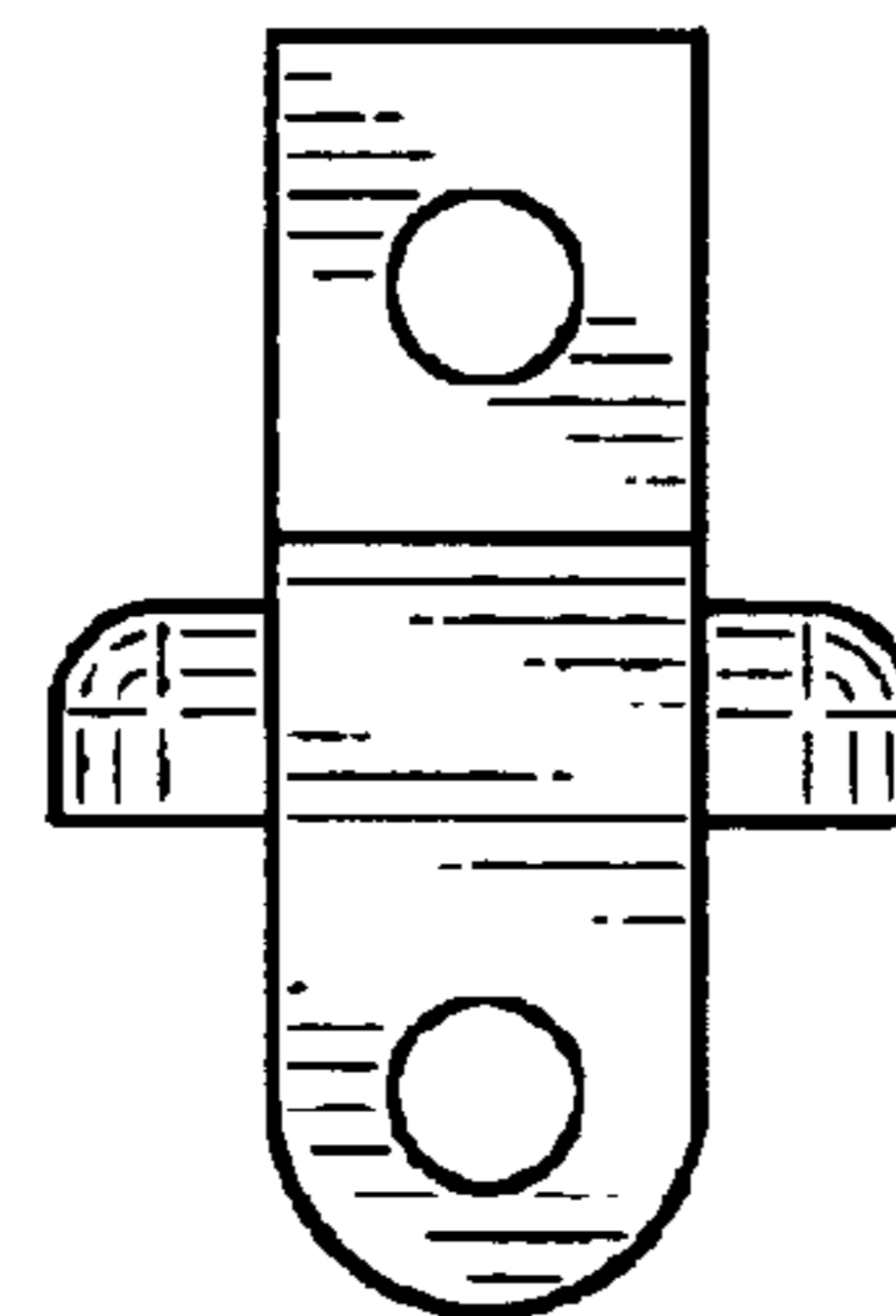


FIG-13