

US00D521361S

(12) **United States Design Patent**
Kish

(10) **Patent No.:** **US D521,361 S**

(45) **Date of Patent:** **** May 23, 2006**

(54) **STORAGE RACK**

(76) Inventor: **Penny Kay Kish**, 25404 Via Macarena,
Valencia, CA (US) 91355

(**) Term: **14 Years**

(21) Appl. No.: **29/200,738**

(22) Filed: **Mar. 2, 2004**

(51) **LOC (8) Cl.** **08-05**

(52) **U.S. Cl.** **D8/354**

(58) **Field of Classification Search** D8/349,
D8/354, 380, 363; 248/200, 300, 519
See application file for complete search history.

(56) **References Cited**

U.S. PATENT DOCUMENTS

905,142	A	*	12/1908	Bond	248/264
910,765	A	*	1/1909	Adelman	285/154.4
4,429,497	A	*	2/1984	Dibernardi	52/27
5,568,909	A	*	10/1996	Timko	248/519
6,019,557	A	*	2/2000	Lo et al.	411/176
6,336,620	B1	*	1/2002	Belli	248/519

D479,117 S * 9/2003 Mercier D8/354
6,640,517 B1 * 11/2003 Mitchell 52/736.1

* cited by examiner

Primary Examiner—Holly H. Baynham
(74) *Attorney, Agent, or Firm*—Weintraub Genshlea
Chediak; Bernhard Kreten

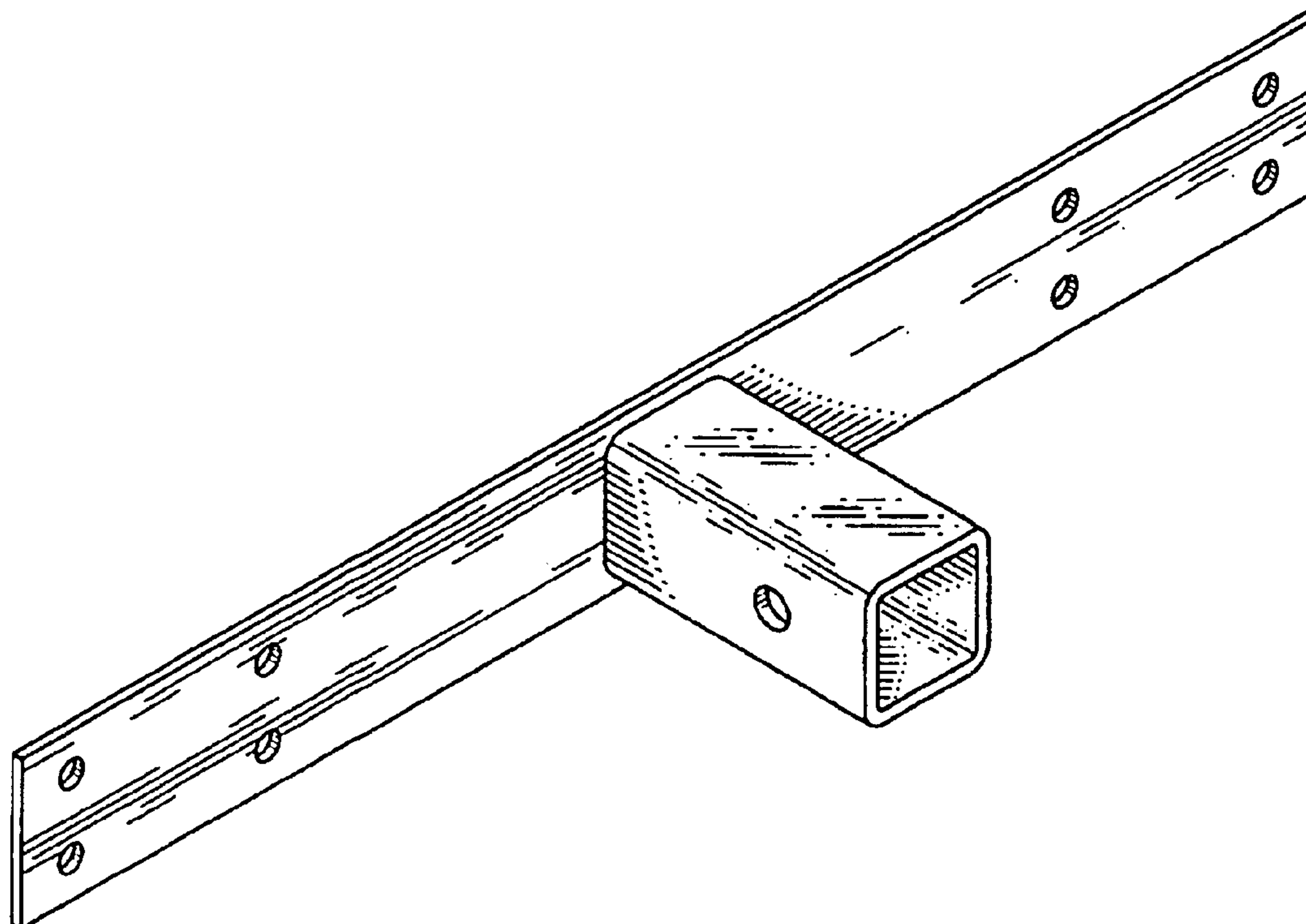
(57) **CLAIM**

The ornamental design for a storage rack, as shown and described.

DESCRIPTION

FIG. 1 is a perspective view.
FIG. 2 is a left side view thereof, the right side being a mirror image.
FIG. 3 is a top view thereof, the bottom being a mirror image.
FIG. 4 is a front.
FIG. 5 is a rear; and,
FIG. 6 is a perspective view showing my new design in one possible environment.
The broken-line showing of environmental structure in FIG. 6 is for illustrative purposes only and forms no part of the claimed design.

1 Claim, 2 Drawing Sheets



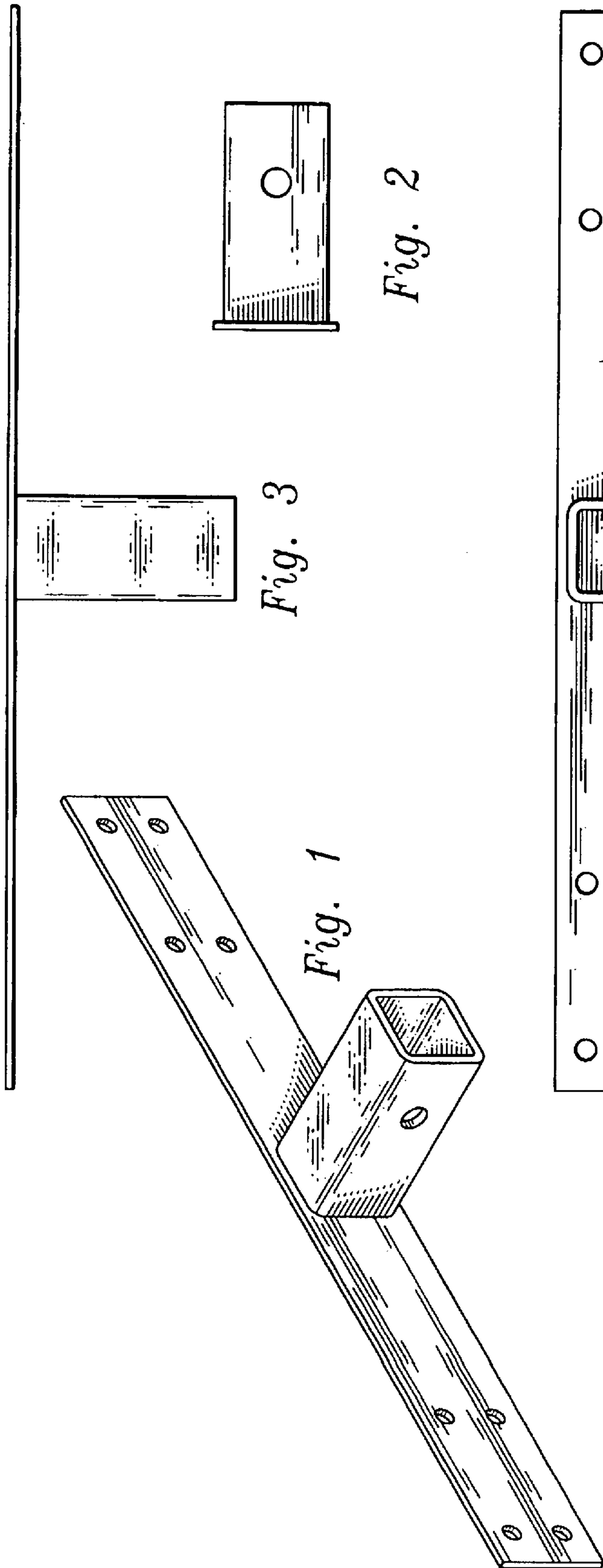


Fig. 1

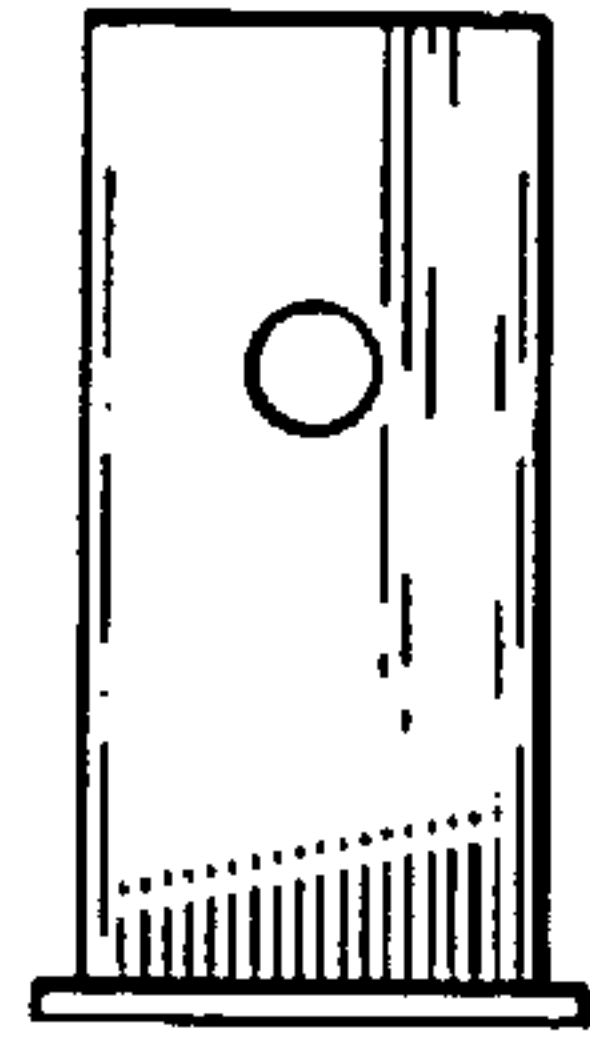


Fig. 2

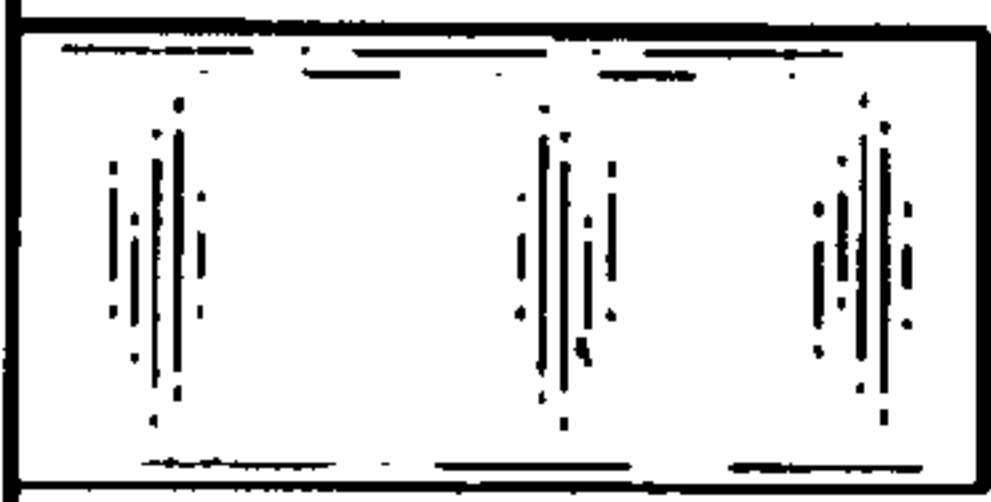


Fig. 3

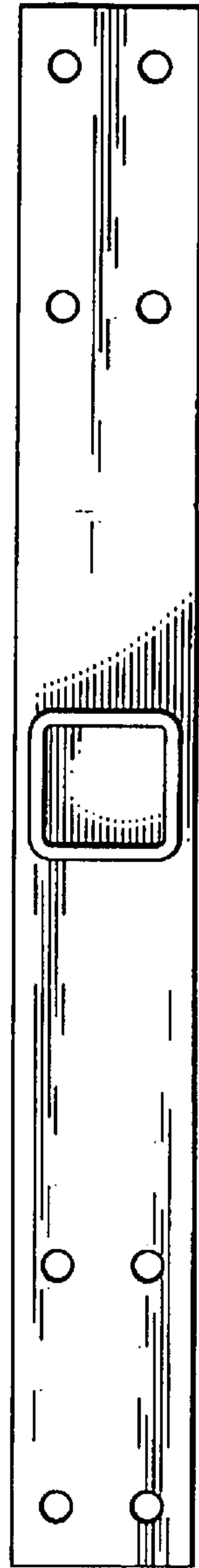


Fig. 4



Fig. 5

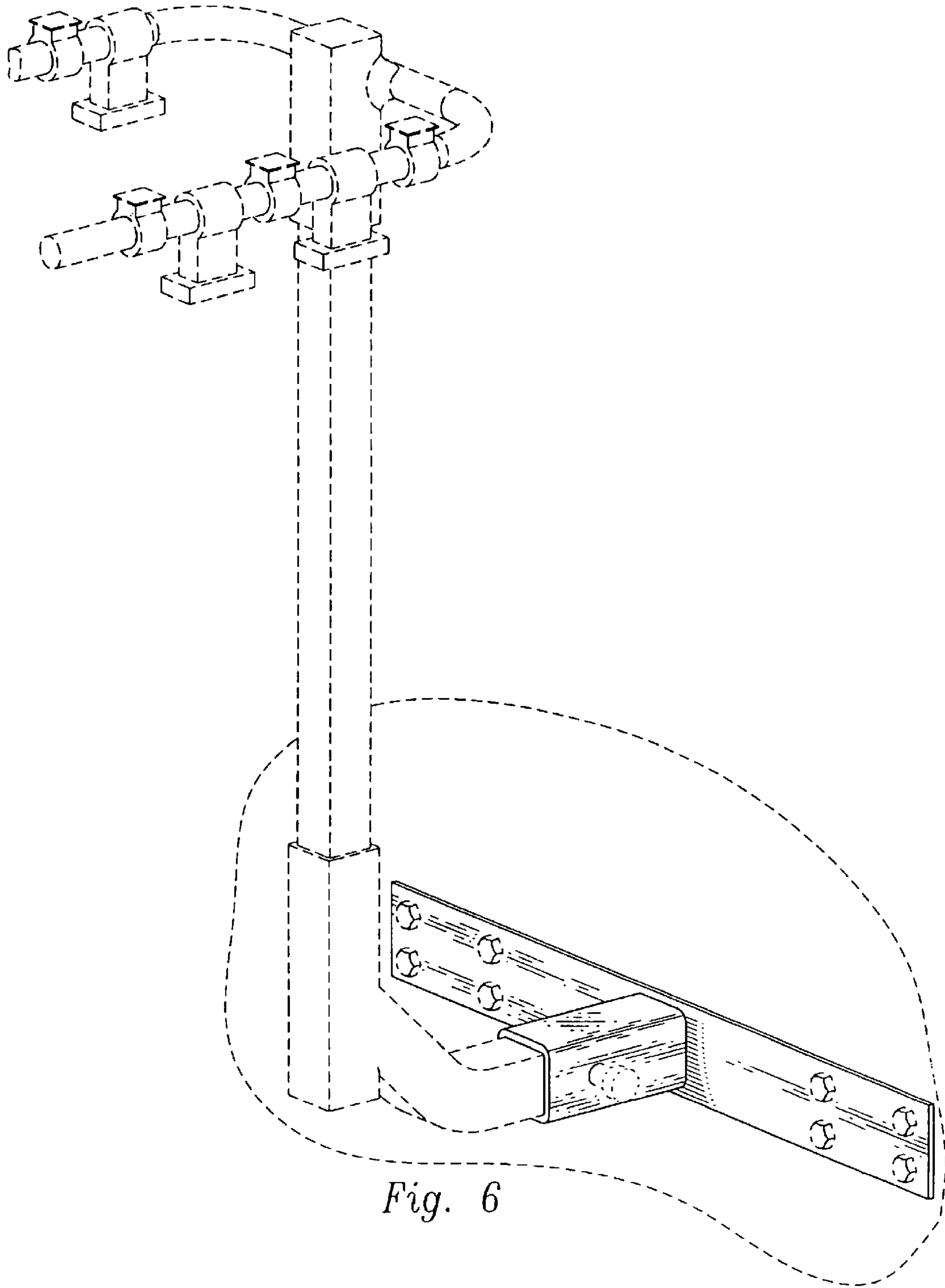


Fig. 6