

US00D521359S

(12) **United States Design Patent**  
**Welch**

(10) **Patent No.:** **US D521,359 S**

(45) **Date of Patent:** **\*\* May 23, 2006**

(54) **LOCK**

(75) Inventor: **James Welch**, Waukesha, WI (US)

(73) Assignee: **Master Lock Company**, Oak Creek, WI (US)

(\*\*) Term: **14 Years**

(21) Appl. No.: **29/213,493**

(22) Filed: **Sep. 17, 2004**

**Related U.S. Application Data**

(63) Continuation of application No. 29/183,582, filed on Jun. 13, 2003.

(51) **LOC (8) Cl.** ..... **08-07**

(52) **U.S. Cl.** ..... **D8/343; D8/334**

(58) **Field of Classification Search** ..... D8/300, D8/301, 310, 312, 330-335, 343, 34, 346; 70/19-25, 35, 51, 158, 160, 272, 286, 291, 70/294, 435, 437-446, DIG. 2, 16, 43-45; 220/4.21, 4.25, 560, 560.09; 206/303, 530, 206/529

See application file for complete search history.

(56) **References Cited**

**U.S. PATENT DOCUMENTS**

870,890 A	11/1907	Krause	
920,692 A	5/1909	Towne	
1,383,290 A	7/1921	Cressey	
1,800,990 A	4/1931	Forrest	
1,882,794 A	* 10/1932	Full	70/25
D144,685 S	* 5/1946	Bouhall	D8/334
D196,679 S	10/1963	Schaffer	
3,472,049 A	* 10/1969	Sewell	70/21
3,624,939 A	12/1971	Gossard	
4,055,972 A	* 11/1977	Calegan	70/21
4,339,062 A	7/1982	Witt, Jr.	
4,404,823 A	* 9/1983	Miller et al.	70/333 A
D276,408 S	* 11/1984	Zabel et al.	D8/334
4,534,467 A	* 8/1985	Rathbun	206/530
D308,320 S	6/1990	Raucci	

5,318,251 A	* 6/1994	Bergh	244/121
5,908,265 A	* 6/1999	Mostkoff	405/29
D418,392 S	1/2000	Kelley	
D419,305 S	1/2000	Porter et al.	
6,041,918 A	3/2000	Moore	
D425,706 S	5/2000	Calderone	
D430,998 S	9/2000	Chelaru	
D431,446 S	10/2000	Chelaru	
D434,300 S	* 11/2000	Chelaru	D8/335
D445,666 S	7/2001	Gable	
D449,406 S	10/2001	Angeletta	
D453,675 S	2/2002	Liu	
D486,722 S	* 2/2004	Fonfeder	D8/335
D488,049 S	* 4/2004	Fonfeder	D8/335
D488,050 S	4/2004	Fonfeder	
D488,051 S	* 4/2004	Fonfeder	D8/335

**OTHER PUBLICATIONS**

McGraw-Edison Locks, Catalog L-2122, p. 4, No. 52 Combination Lock.\*

Master Locks Catalog, May 1993, p. 16, Institutional Combination Locks.\*

\* cited by examiner

*Primary Examiner*—Prabhakar Deshmukh

(74) *Attorney, Agent, or Firm*—Calfee, Halter & Griswold LLP

(57) **CLAIM**

The ornamental design for a lock, as shown and described.

**DESCRIPTION**

FIG. 1 is a perspective view of the design of the present invention;

FIG. 2 is a top view of the lock shown in FIG. 1;

FIG. 3 is a bottom view of the lock shown in FIG. 1;

FIG. 4 is a left side view of the lock shown in FIG. 1;

FIG. 5 is a front view of the lock shown in FIG. 1;

FIG. 6 is a right view of the lock shown in FIG. 1; and,

FIG. 7 is a back view of the lock shown in FIG. 1.

The portions of the Figures shown in phantom lines are not part of the claimed design but are for illustration only.

**1 Claim, 2 Drawing Sheets**

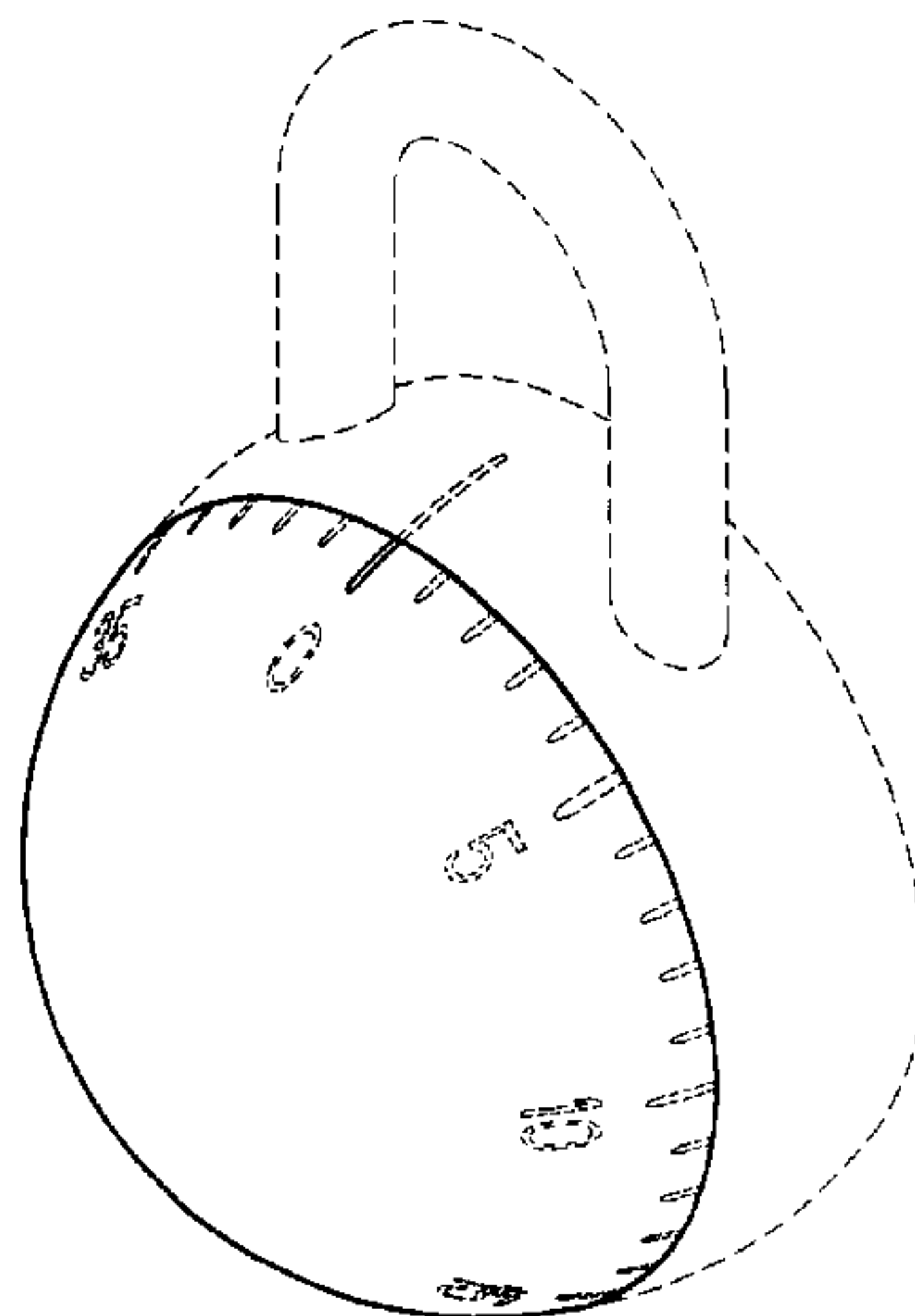


FIG. 1

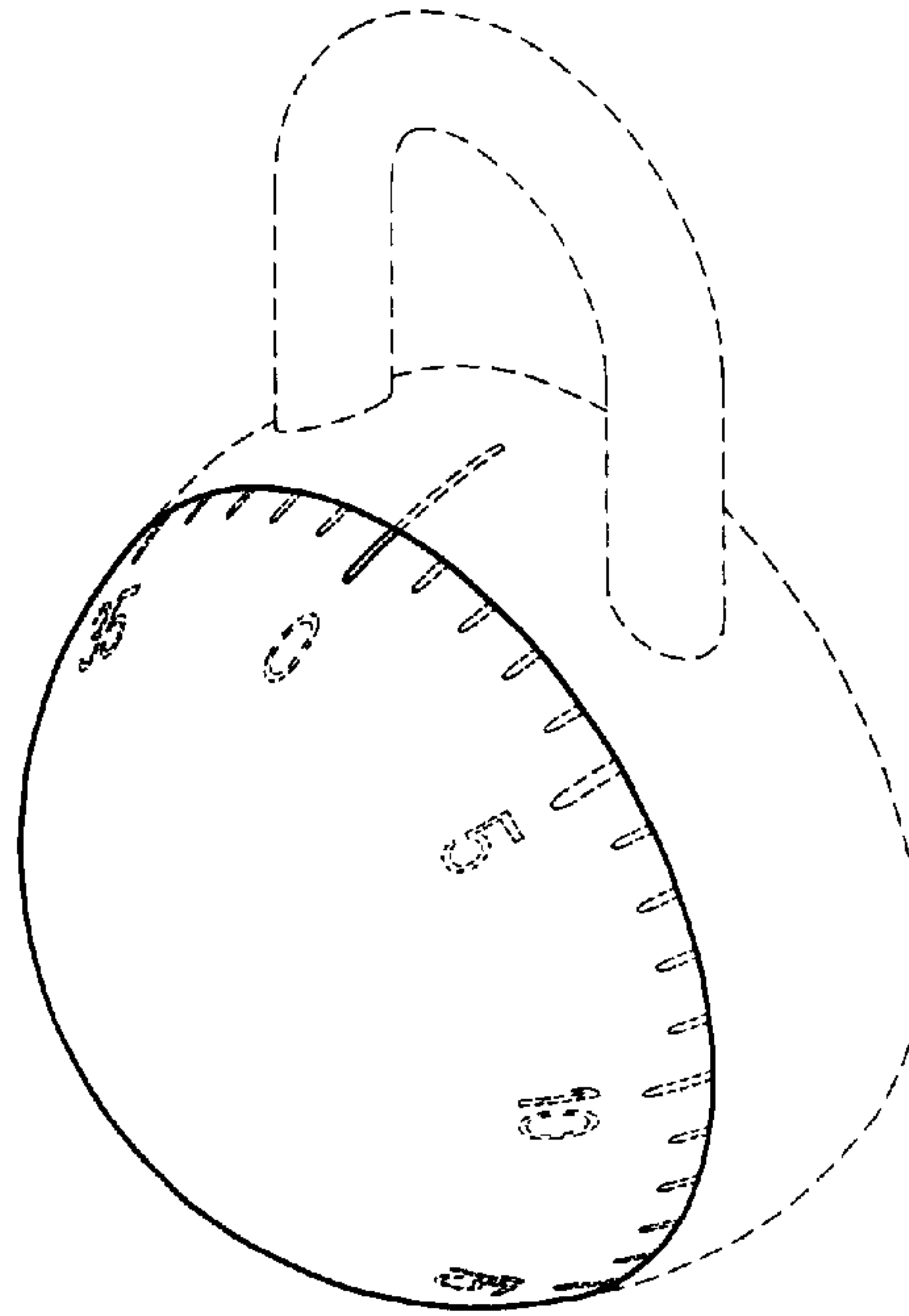


FIG. 2

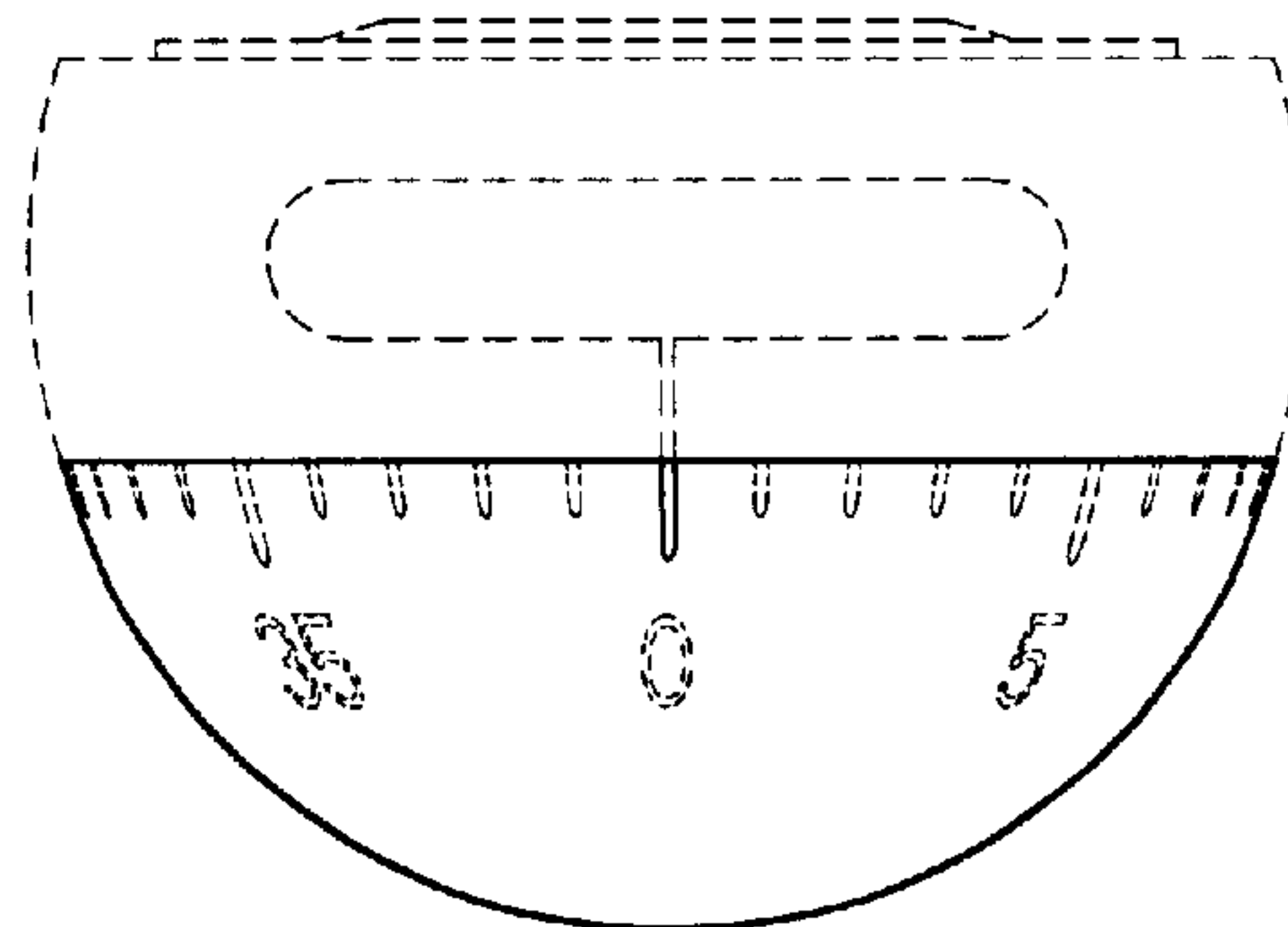
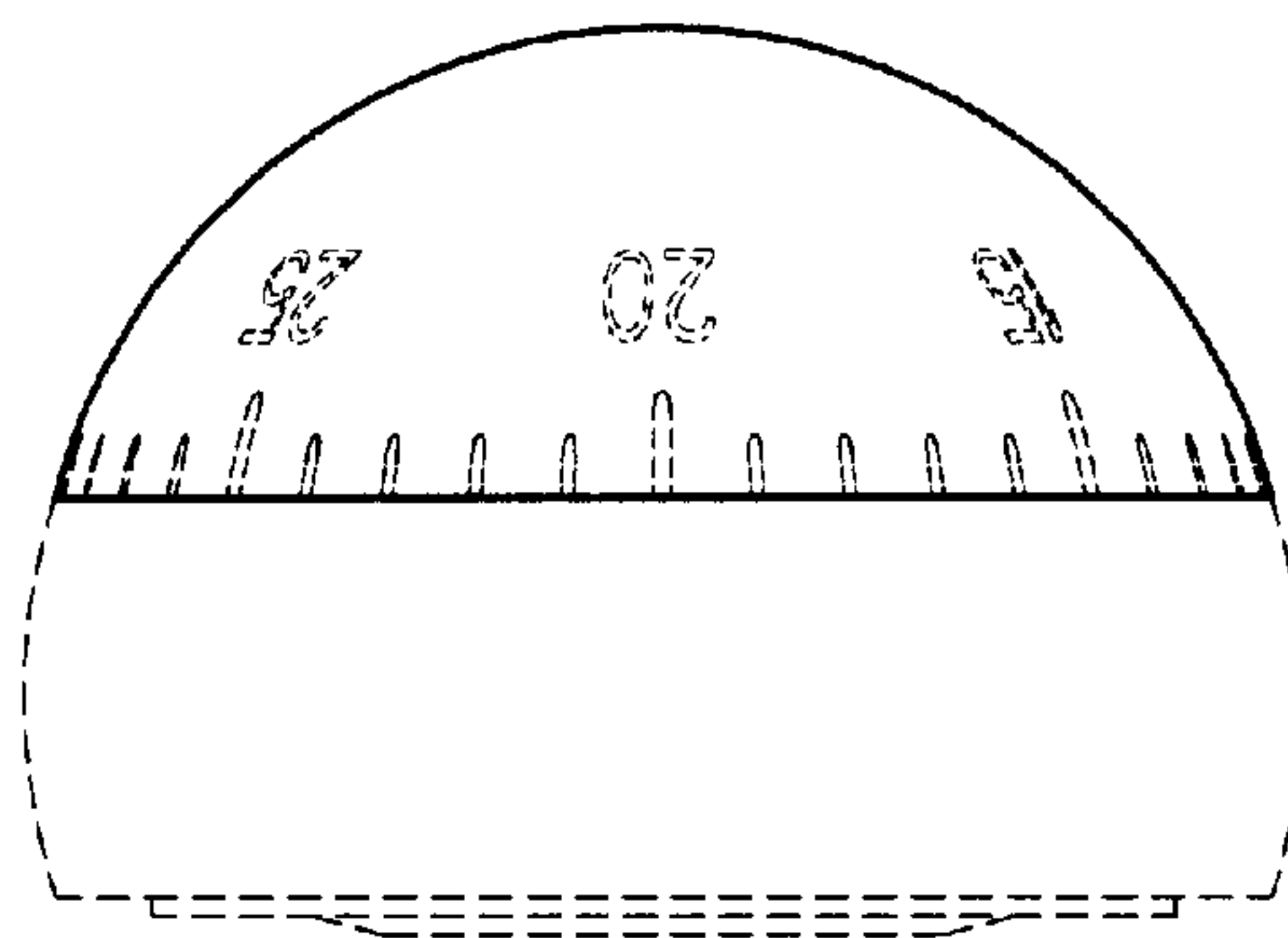


FIG. 3



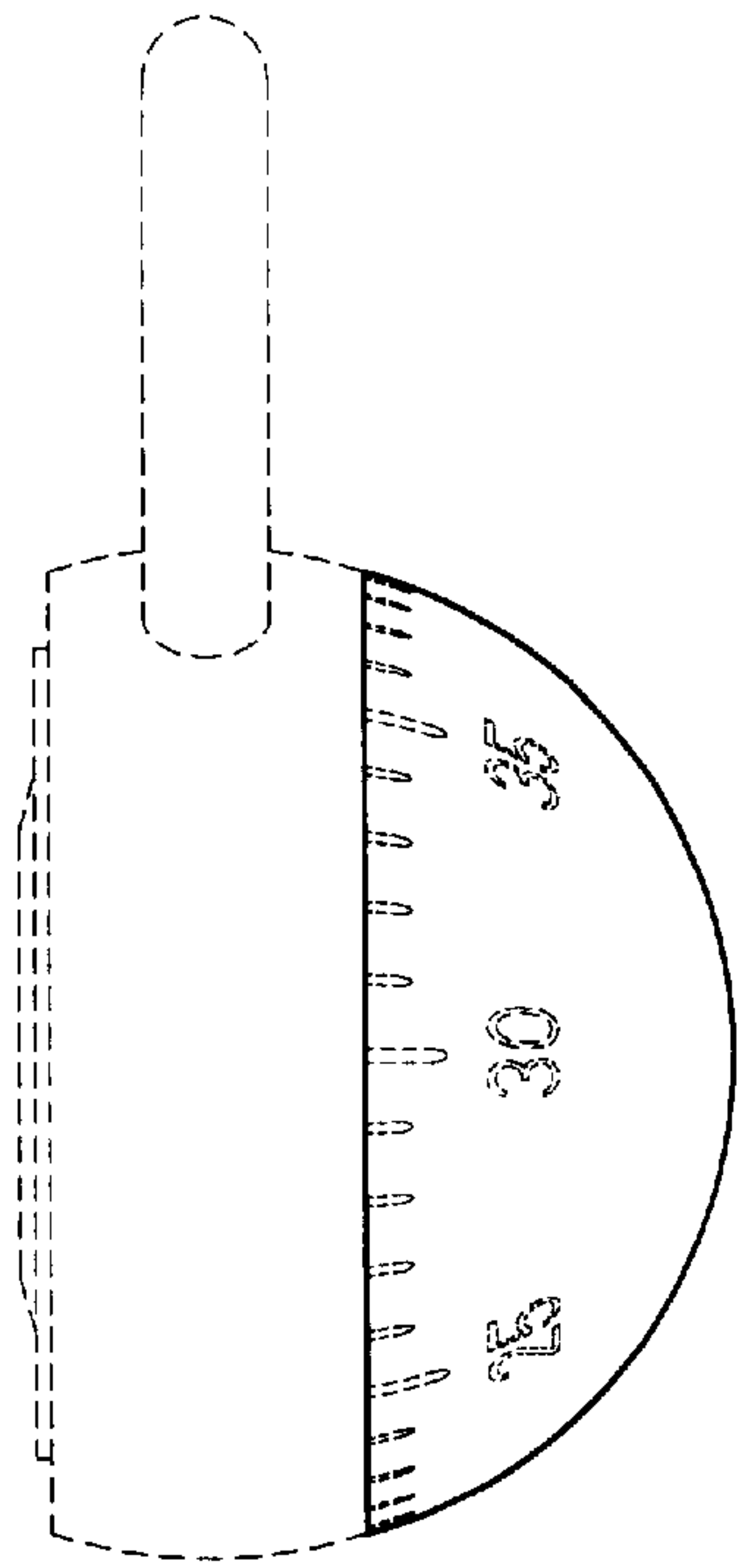


FIG. 4

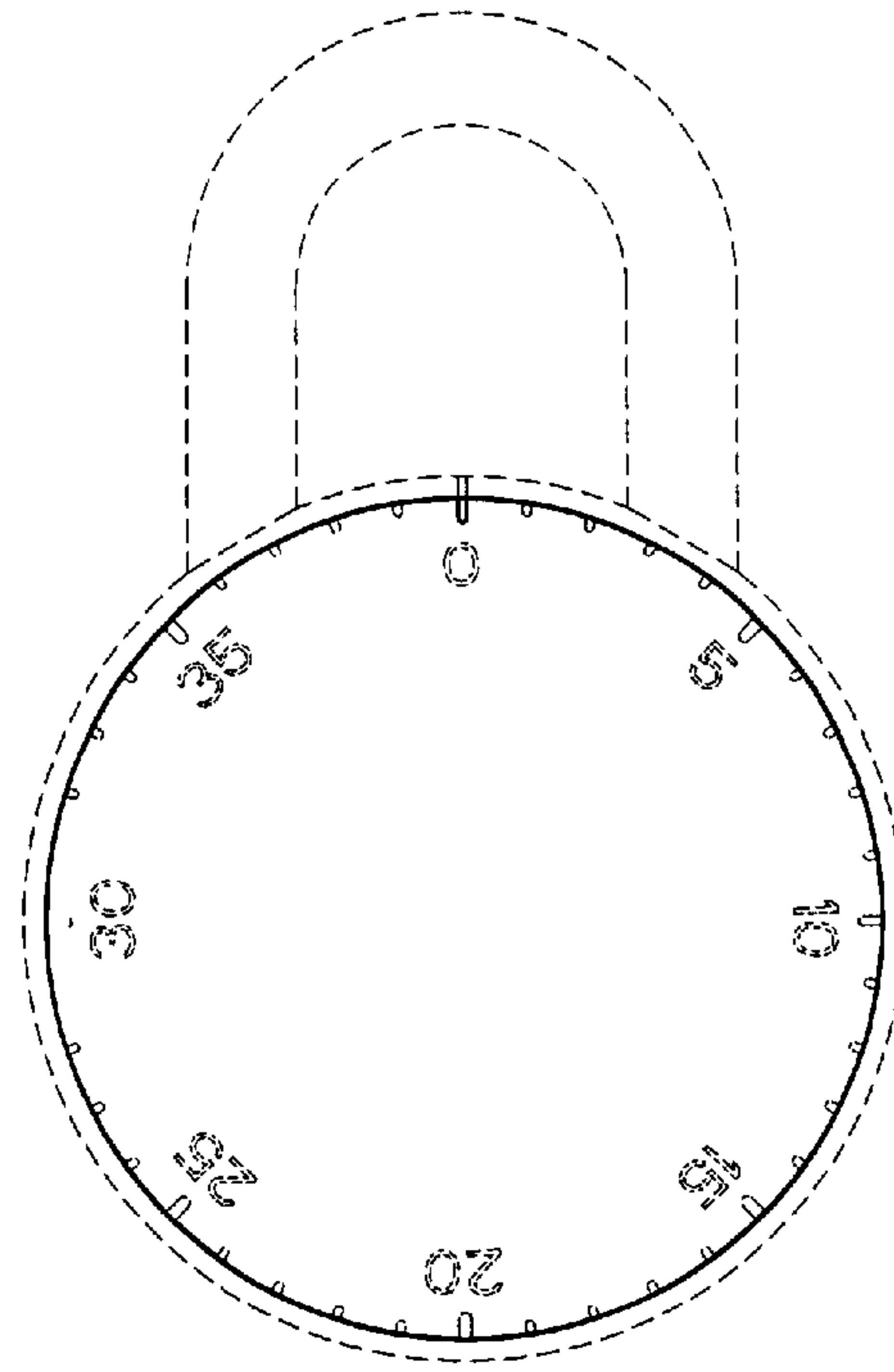


FIG. 5

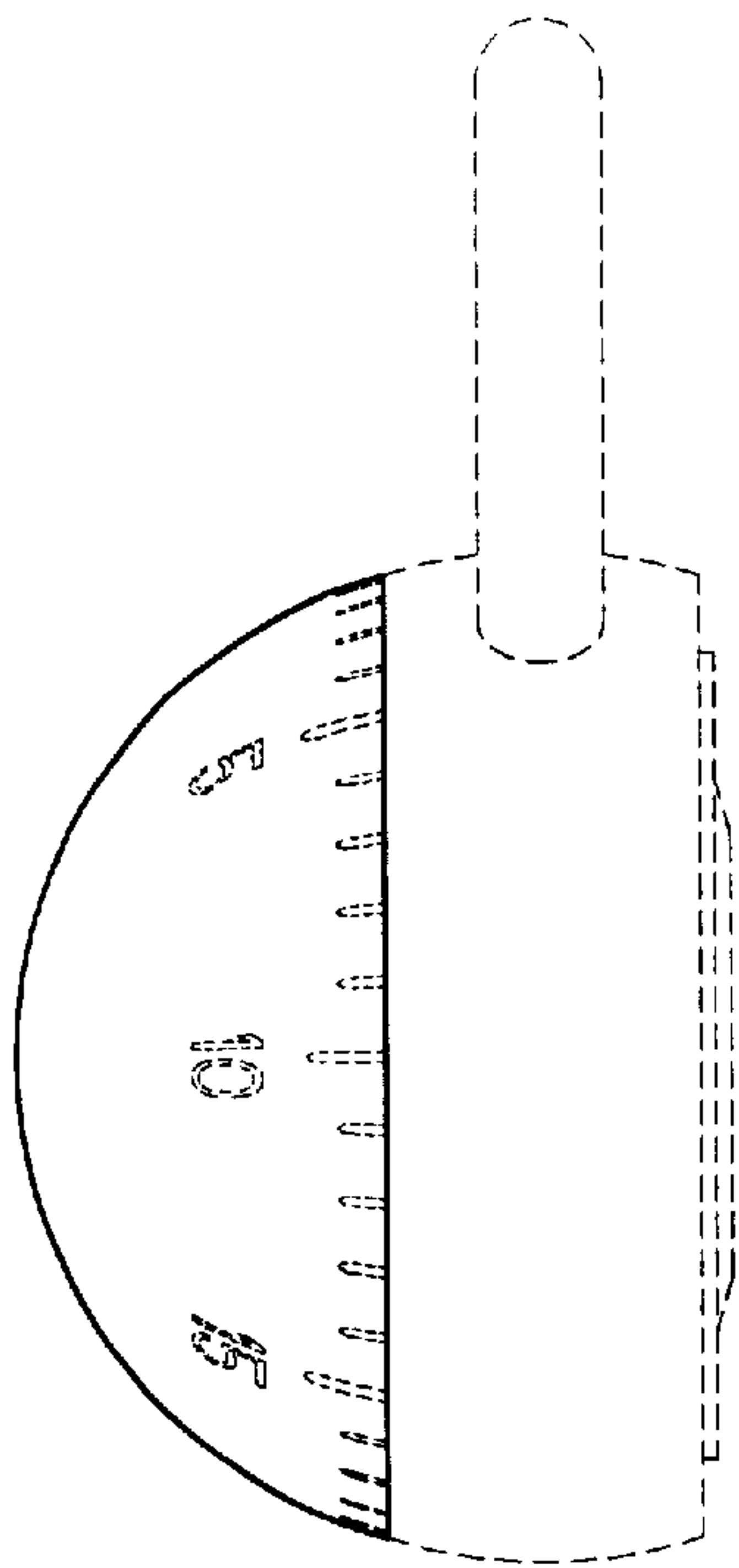


FIG. 6

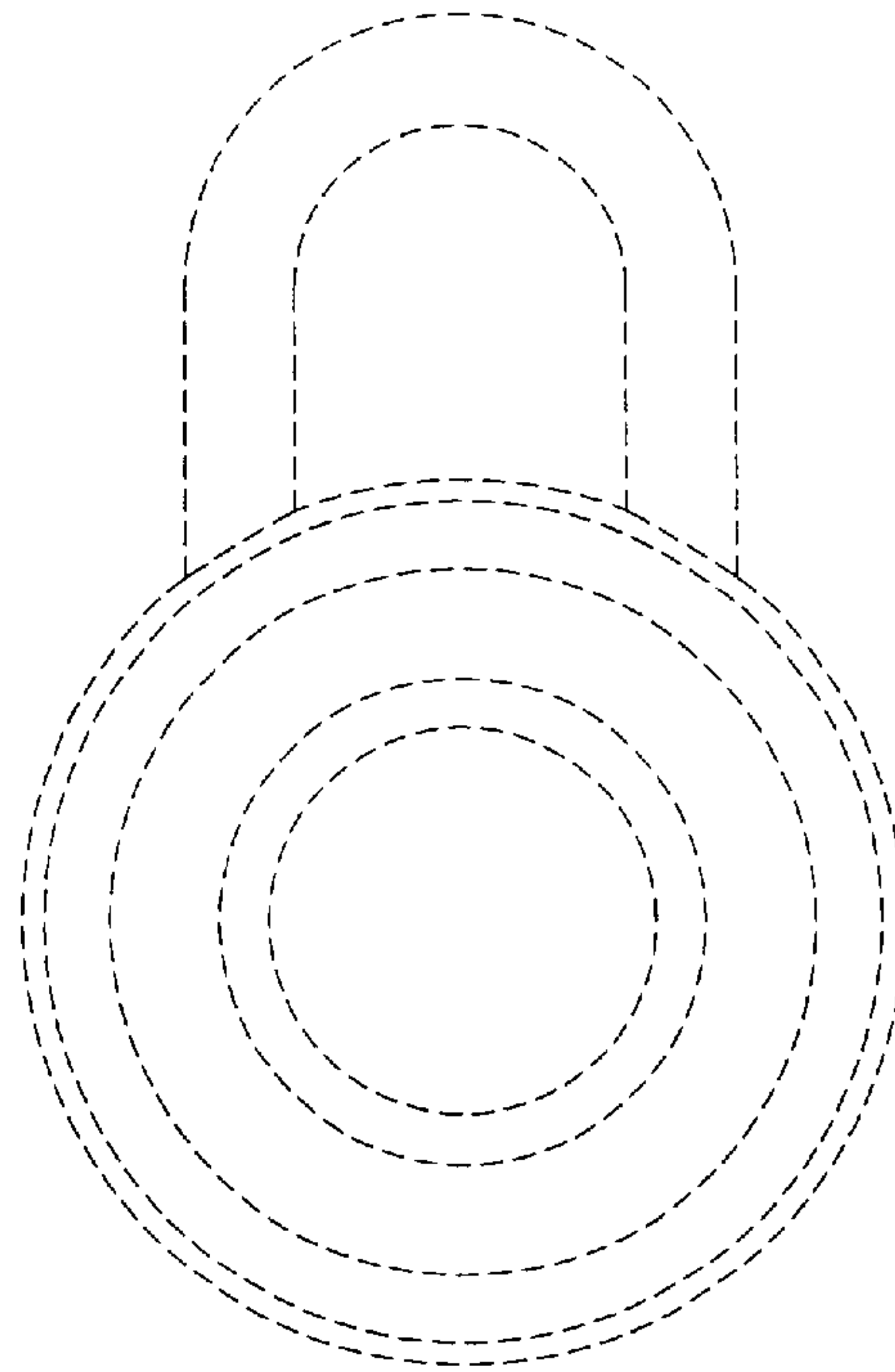


FIG. 7