



US00D521358S

(12) **United States Design Patent**
Liao

(10) **Patent No.:** **US D521,358 S**

(45) **Date of Patent:** **** May 23, 2006**

(54) **LOCK DEVICE**

(76) Inventor: **Chia Ching Liao**, No. 32, Lane 190,
Sec. 2, Yiatan Road, Tantz Hsiang,
Taichung Hsien 427 (TW)

(**) Term: **14 Years**

(21) Appl. No.: **29/220,438**

(22) Filed: **Dec. 30, 2004**

(51) **LOC (8) Cl.** **08-07**

(52) **U.S. Cl.** **D8/331**

(58) **Field of Classification Search** D8/330,
D8/331, 336, 343, 346, 350, 300-302; 70/207,
70/208, 14, 57, 141, 224, 91; 292/336.3,
292/86, 87, 168, 170, 57, DIG. 30, DIG. 31
See application file for complete search history.

(56) **References Cited**

U.S. PATENT DOCUMENTS

4,074,549	A	*	2/1978	Yee	70/7
4,712,400	A	*	12/1987	Steinbach	70/369
4,732,562	A	*	3/1988	Palsson	432/224
4,843,852	A	*	7/1989	Foshee et al.	70/367
5,050,713	A		9/1991	Lee	190/108
D328,231	S	*	7/1992	Hansen	D8/301

5,586,459	A	*	12/1996	Bullock et al.	70/224
D433,920	S	*	11/2000	Chang	D8/331
D436,833	S	*	1/2001	Turner et al.	D8/331
D471,428	S	*	3/2003	Mirick	D8/331
D484,024	S	*	12/2003	Teskey et al.	D8/331
D497,792	S	*	11/2004	Haas	D8/383
D507,171	S	*	7/2005	Sykes	D8/331

* cited by examiner

Primary Examiner—Prabhakar Deshmukh

(74) *Attorney, Agent, or Firm*—Charles E. Baxley

(57) **CLAIM**

The ornamental design for a lock device, as shown and described.

DESCRIPTION

FIG. 1 is an upper perspective view of a lock device showing my new design;

FIG. 2 is a front elevational view thereof;

FIG. 3 is a rear elevational view thereof;

FIG. 4 is a top plan view thereof;

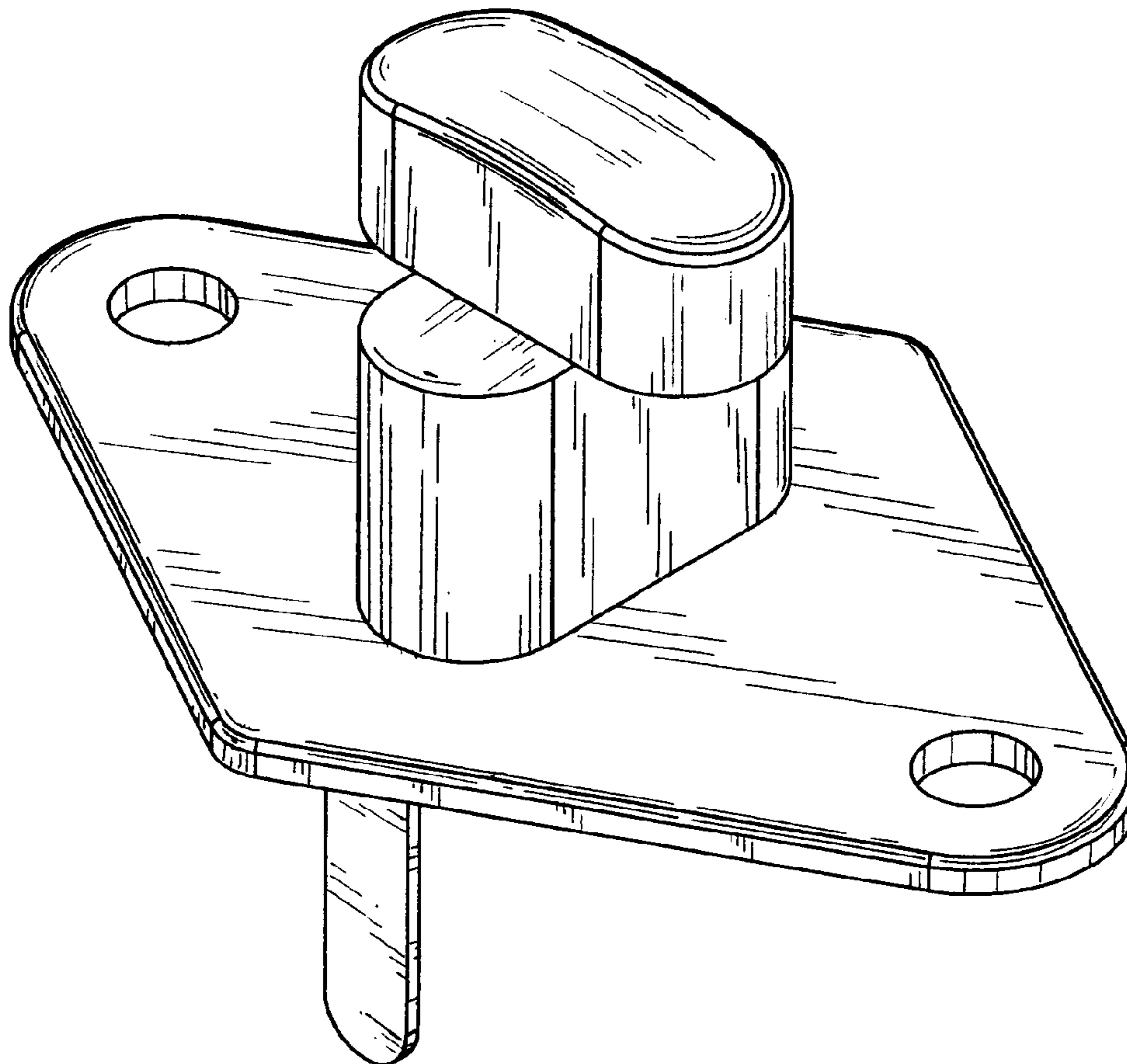
FIG. 5 is a bottom plan view thereof;

FIG. 6 is a left side elevational view thereof;

FIG. 7 is a right side elevational view thereof; and,

FIG. 8 is a bottom perspective view thereof.

1 Claim, 8 Drawing Sheets



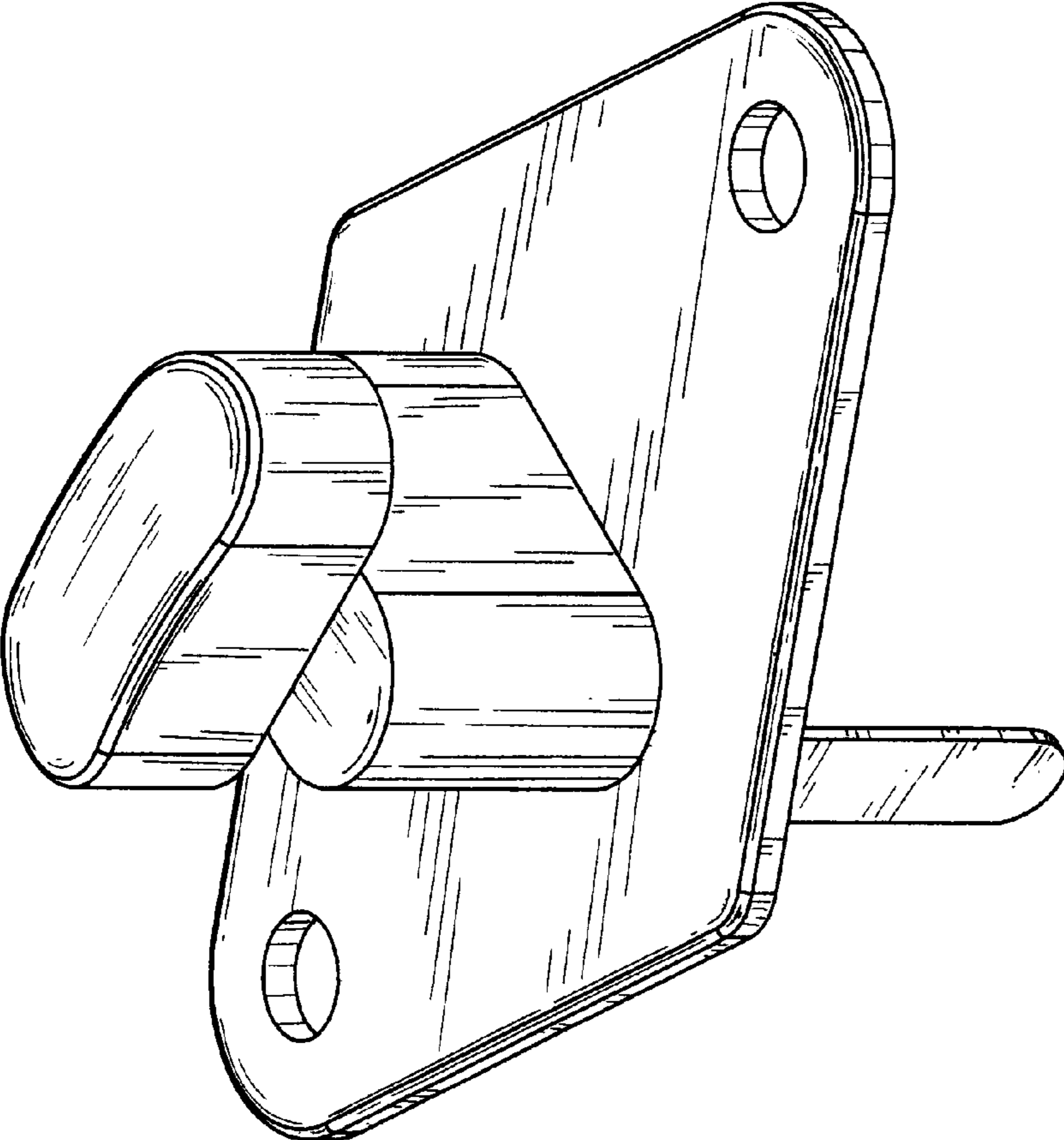


FIG. 1

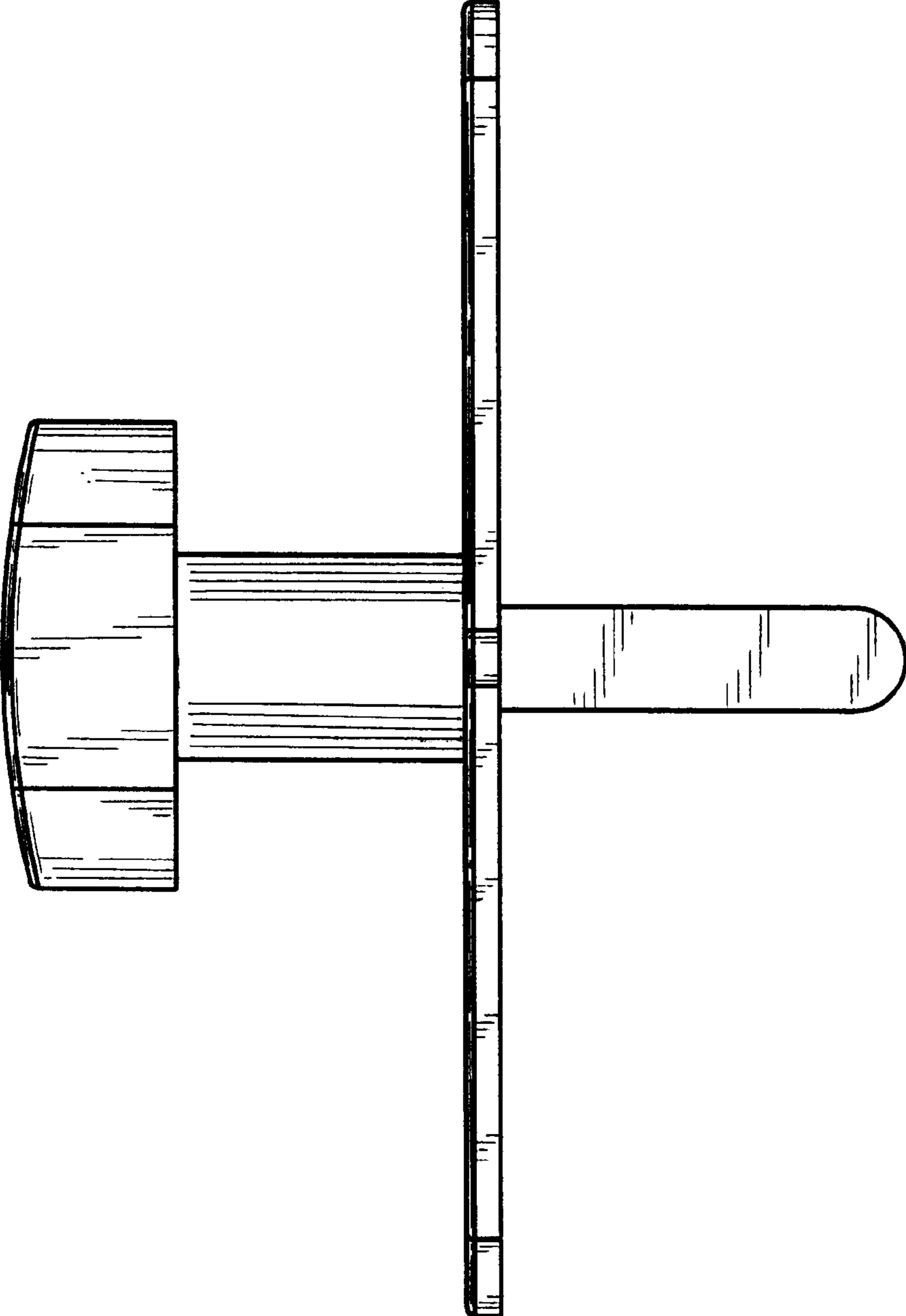


FIG. 2

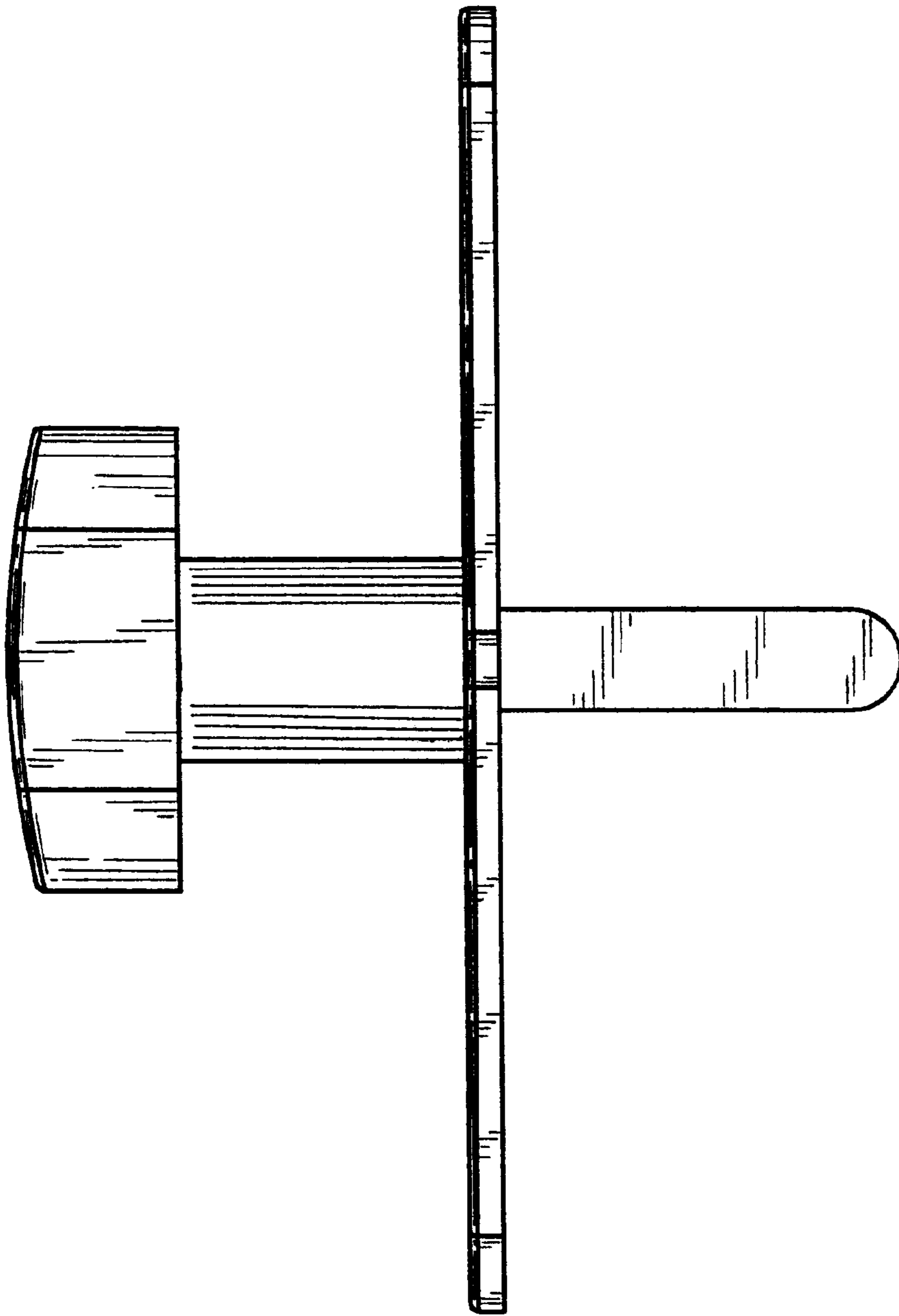


FIG. 3

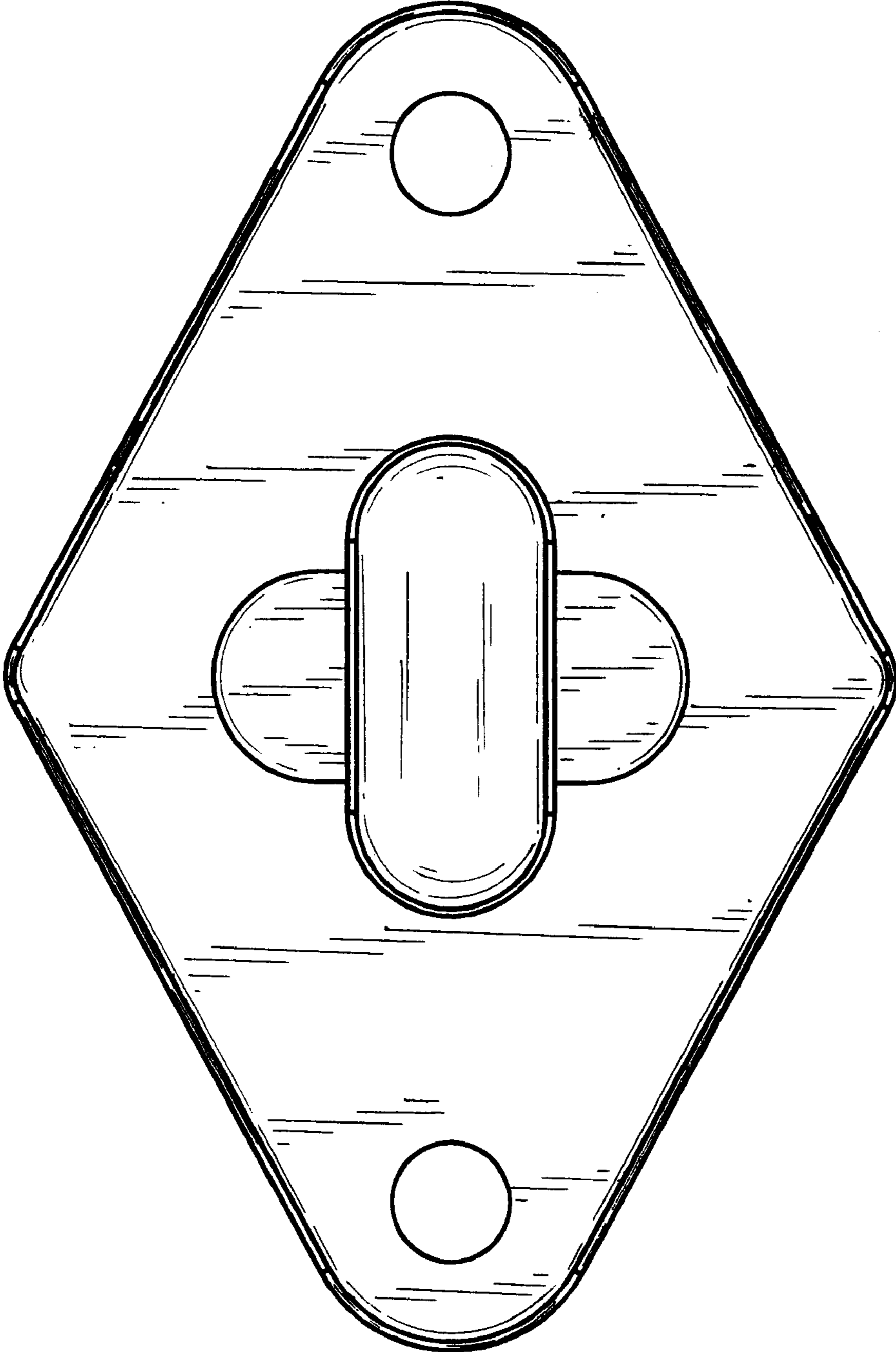


FIG. 4

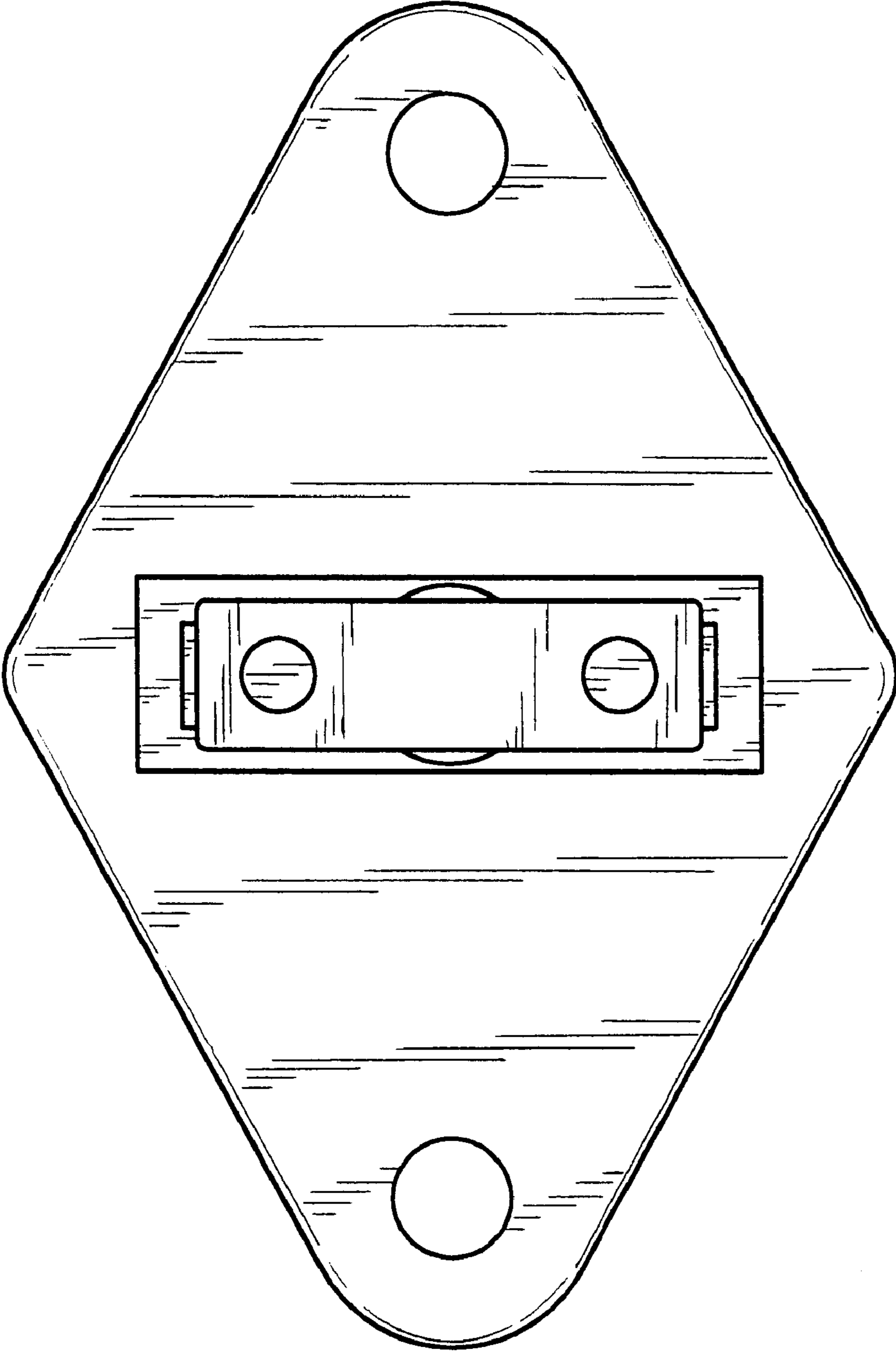


FIG. 5

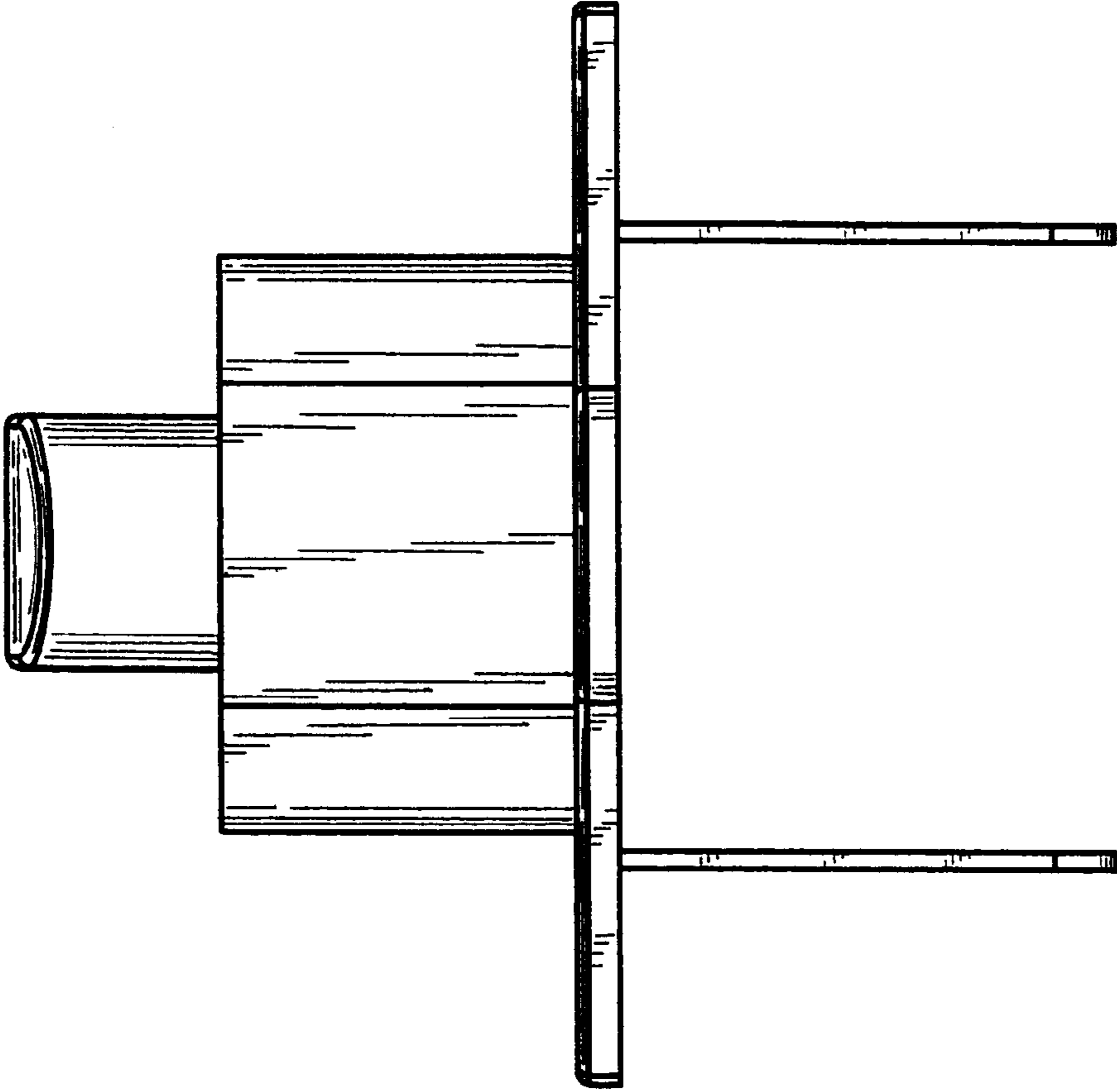


FIG. 6

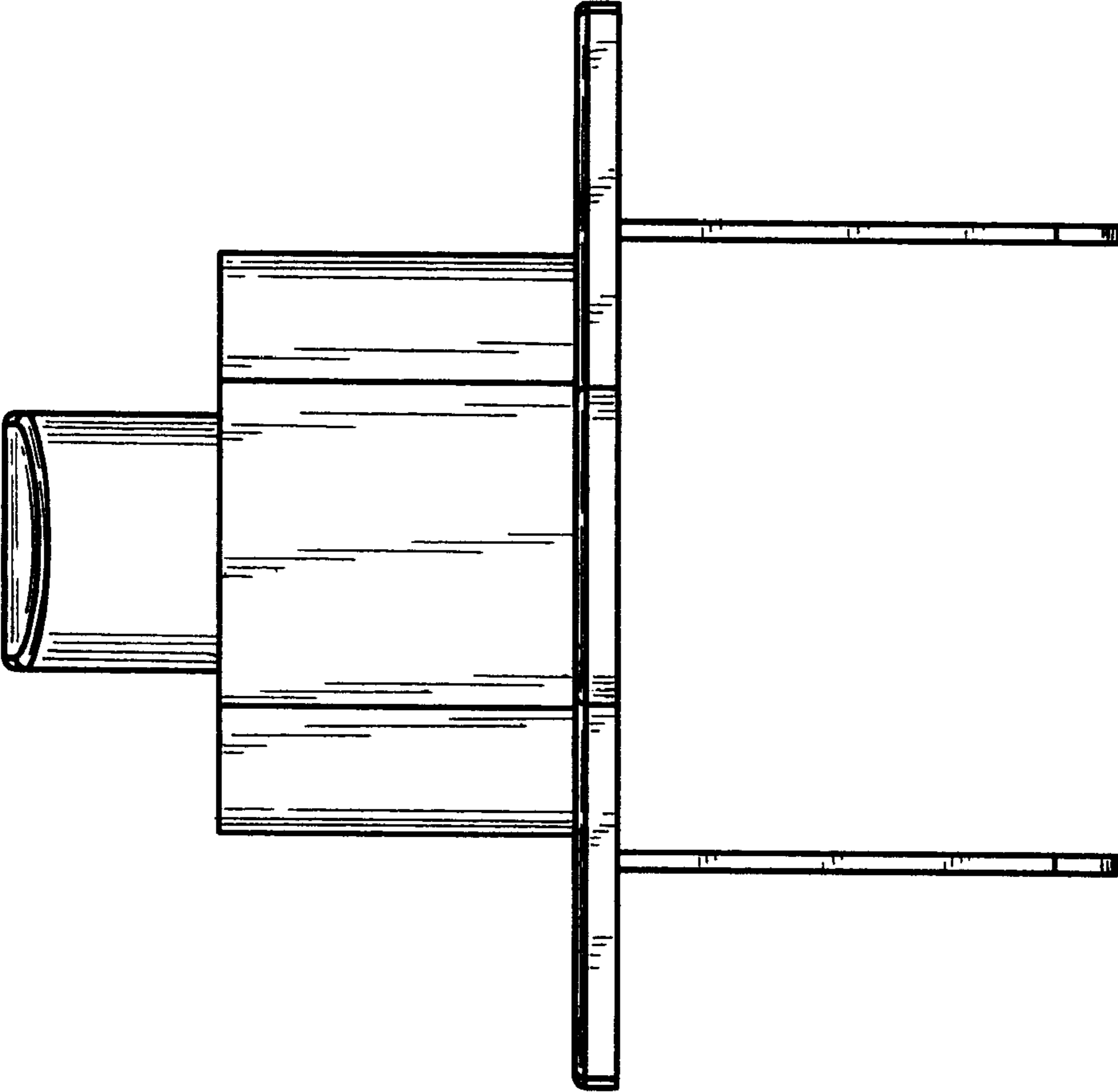


FIG. 7

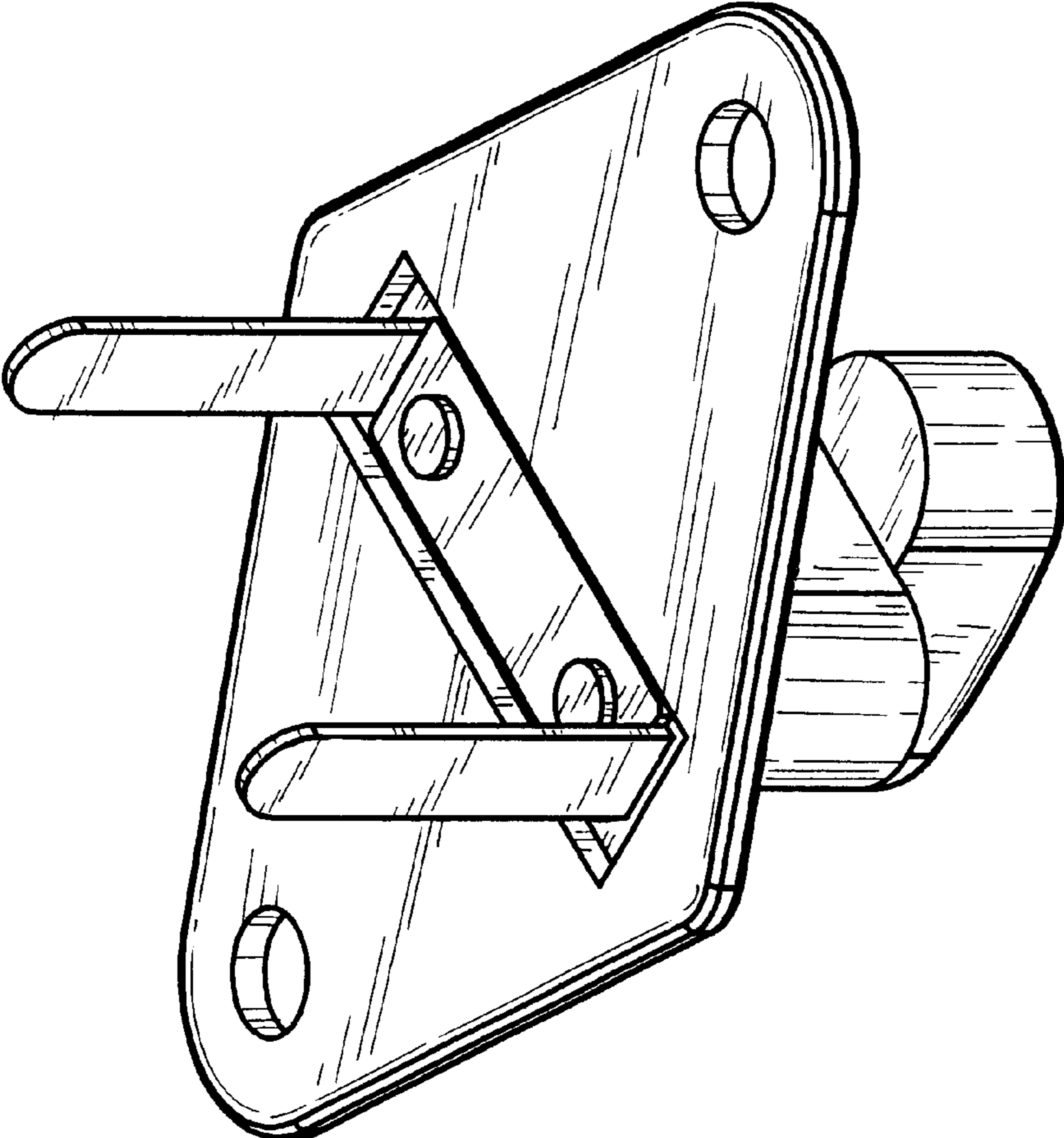


FIG. 8