

US00D521353S

(12) **United States Design Patent**
Gilbert

(10) **Patent No.:** **US D521,353 S**

(45) **Date of Patent:** **** May 23, 2006**

(54) **HANDLE**

(75) **Inventor:** **Christopher Jon Gilbert**, Moreland Hills, OH (US)

(73) **Assignee:** **Moen Incorporated**, North Olmstead, OH (US)

(**) **Term:** **14 Years**

(21) **Appl. No.:** **29/221,182**

(22) **Filed:** **Jan. 12, 2005**

(51) **LOC (8) Cl.** **08-06**

(52) **U.S. Cl.** **D8/308**

(58) **Field of Classification Search** D8/300–310,
D8/350–354; D23/250, 252, 238, 239–245,
D23/249–257; 4/675–678; 137/801; 292/336.3,
292/356; D7/398

See application file for complete search history.

(56) **References Cited**

U.S. PATENT DOCUMENTS

D77,399 S	1/1929	Devereaux	
D82,968 S	1/1931	Bales	
D84,462 S	6/1931	Clemmons	
D85,498 S	* 11/1931	Teller et al. D8/306
D90,353 S	* 7/1933	Balton D7/398
D339,852 S	* 9/1993	Jans D23/252
D378,310 S	3/1997	Moon	
D380,252 S	6/1997	Abel	
D383,831 S	* 9/1997	Esche et al. D23/252
D390,922 S	* 2/1998	Oswaks et al. D23/252
D391,337 S	* 2/1998	Hill et al. D23/250
D393,695 S	4/1998	Ku	
D397,412 S	8/1998	Slothower et al.	
D398,039 S	9/1998	Ku	
D400,648 S	11/1998	Fabian et al.	
D406,637 S	3/1999	Fabian et al.	
D413,654 S	9/1999	Paredes et al.	
D417,259 S	11/1999	Fabian et al.	
D422,059 S	3/2000	Fabian	
D422,342 S	4/2000	Mark et al.	
D426,618 S	6/2000	Mark et al.	
D433,734 S	11/2000	Spangler	
D434,117 S	11/2000	Spangler	

D438,288 S	2/2001	Mark et al.	
D438,289 S	2/2001	Mark et al.	
D441,426 S	5/2001	Lim	
D441,427 S	5/2001	Pitsch et al.	
D441,428 S	5/2001	Donell	
D441,835 S	5/2001	Costello et al.	
D441,837 S	5/2001	Fabian et al.	
D443,031 S	5/2001	Strader et al.	
D444,850 S	7/2001	Fleischmann	
D445,165 S	7/2001	Fiegl et al.	
D445,168 S	* 7/2001	Czerwinski, Jr. D23/252
D446,285 S	8/2001	Tzeng	
D448,065 S	9/2001	Pitsch et al.	
D448,067 S	9/2001	Pitsch	
D448,832 S	10/2001	Fabian et al.	
D458,345 S	* 6/2002	Gottwald D23/252
D460,151 S	7/2002	Green et al.	
D466,980 S	12/2002	Pitsch et al.	
D467,303 S	12/2002	Kemp	
D475,125 S	5/2003	Marinov	
D476,063 S	6/2003	Haug et al.	
D476,396 S	6/2003	Hanna	
D477,653 S	7/2003	Neufeld et al.	
D478,651 S	8/2003	Ouyoung	
D480,785 S	10/2003	Hunt	

* cited by examiner

Primary Examiner—Paula A. Greene

(74) *Attorney, Agent, or Firm*—Calfee, Halter & Griswold LLP

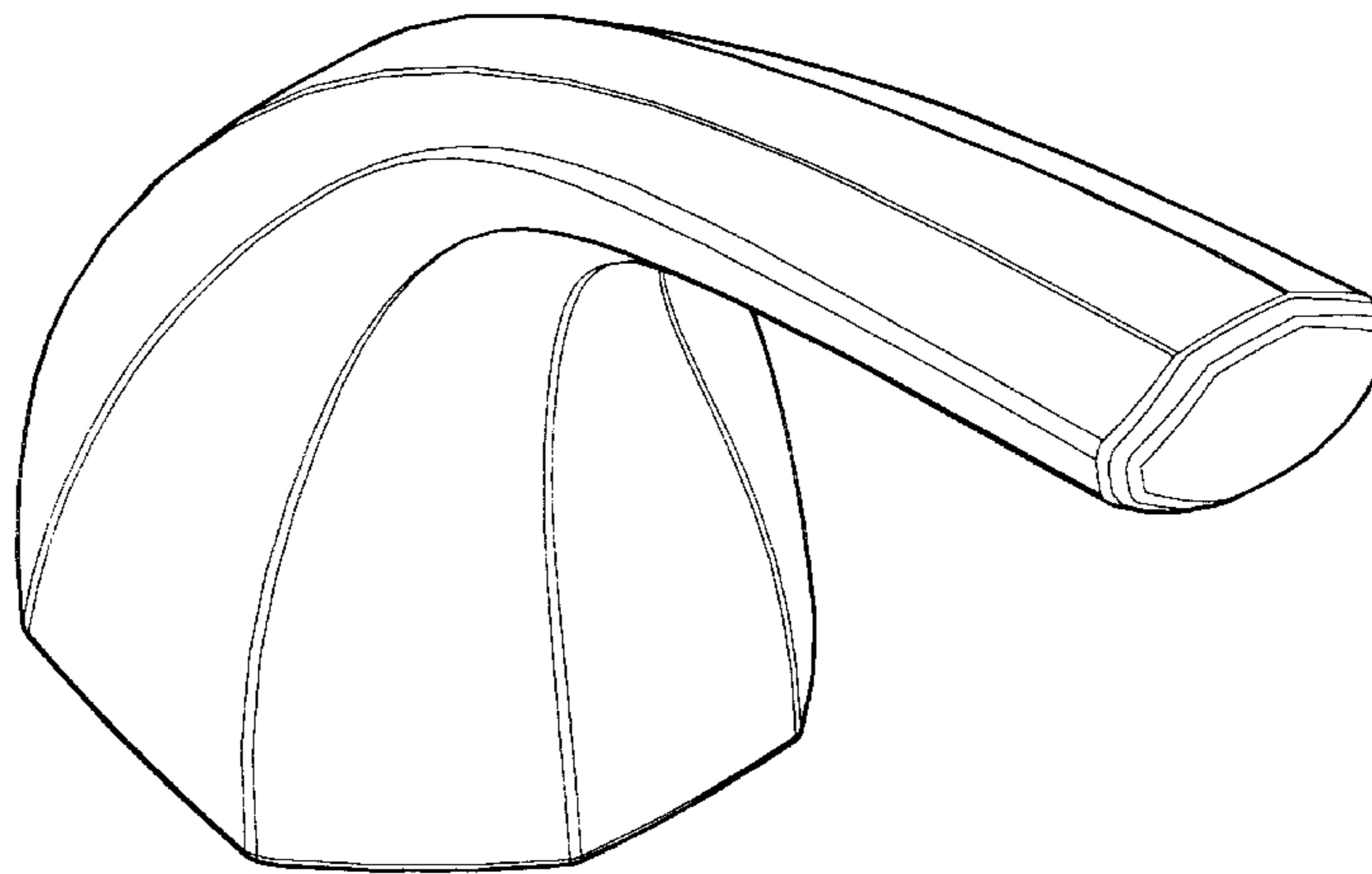
(57) **CLAIM**

The ornamental design for a handle, as shown and described.

DESCRIPTION

FIG. 1 is a perspective view of a handle of the new design; FIG. 2 is a front elevational view of the handle of FIG. 1; FIG. 3 is a rear elevational view of the handle of FIG. 1; FIG. 4 is a left side elevational view of the handle of FIG. 1; FIG. 5 is a right side elevational view of the handle of FIG. 1; FIG. 6 is a top plan view of the handle of FIG. 1; and, FIG. 7 is a bottom plan view of the handle of FIG. 1. The portions of the Figures shown in broken lines are not part of the claimed design but are for illustration only.

1 Claim, 3 Drawing Sheets



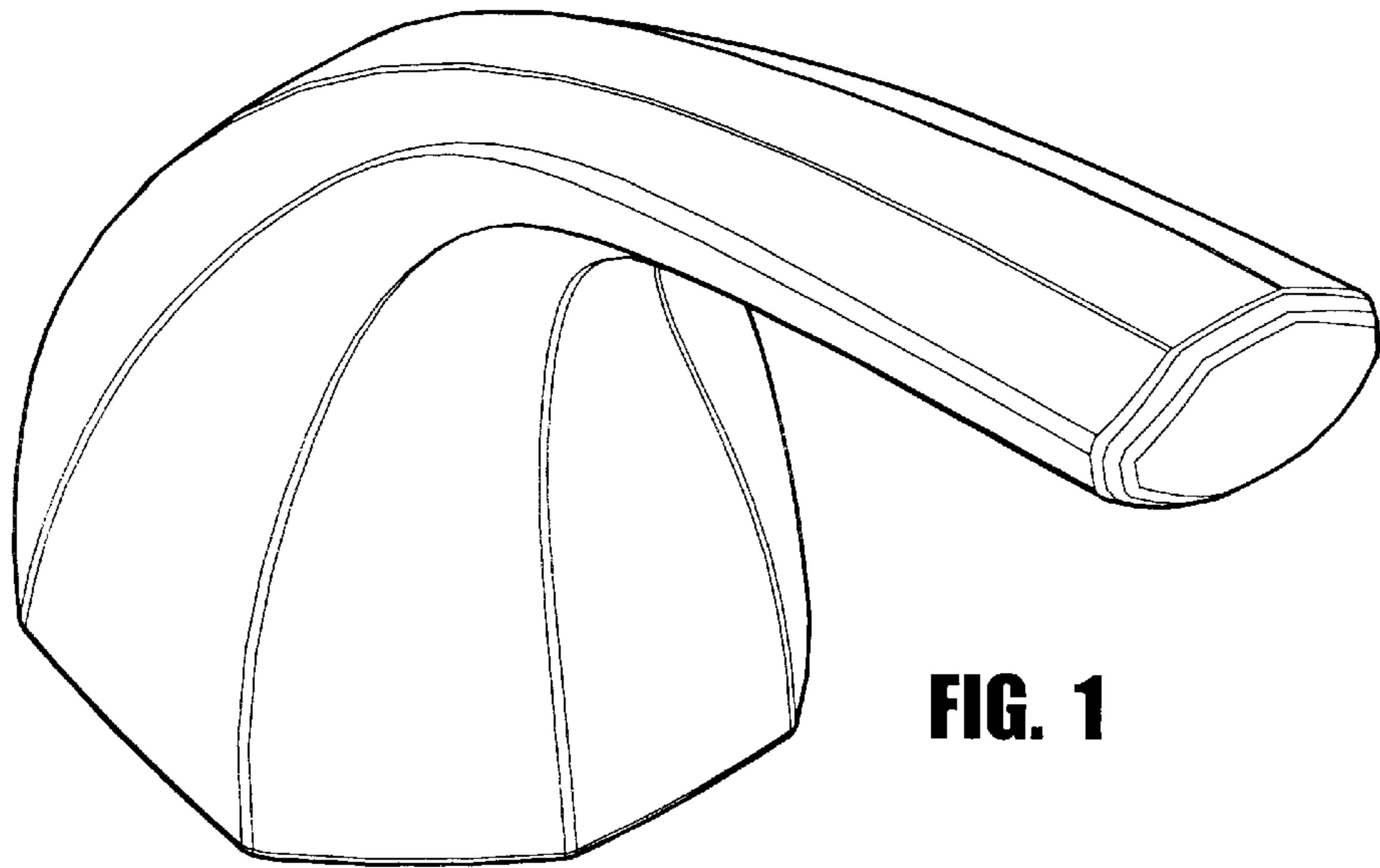


FIG. 1

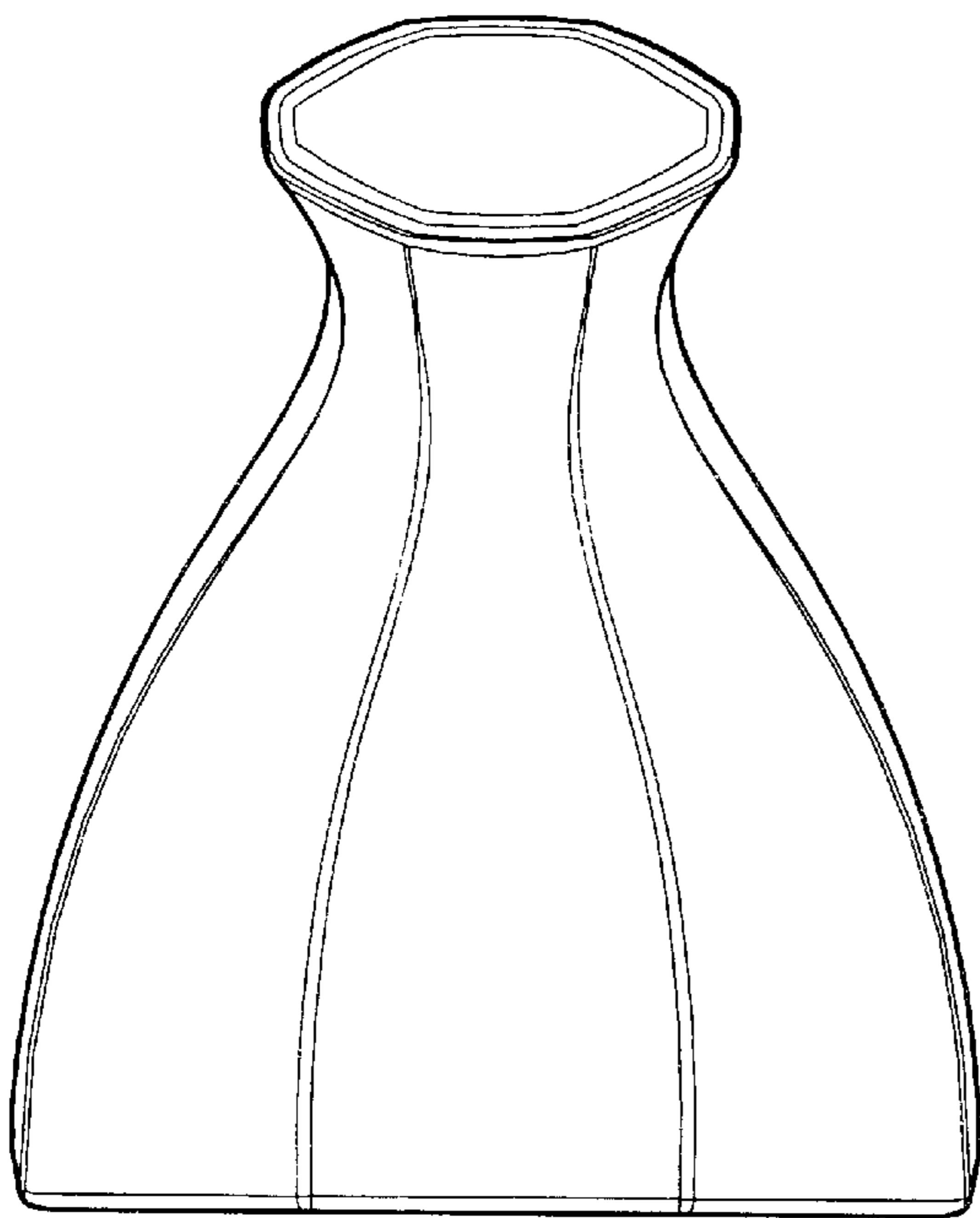


FIG. 2

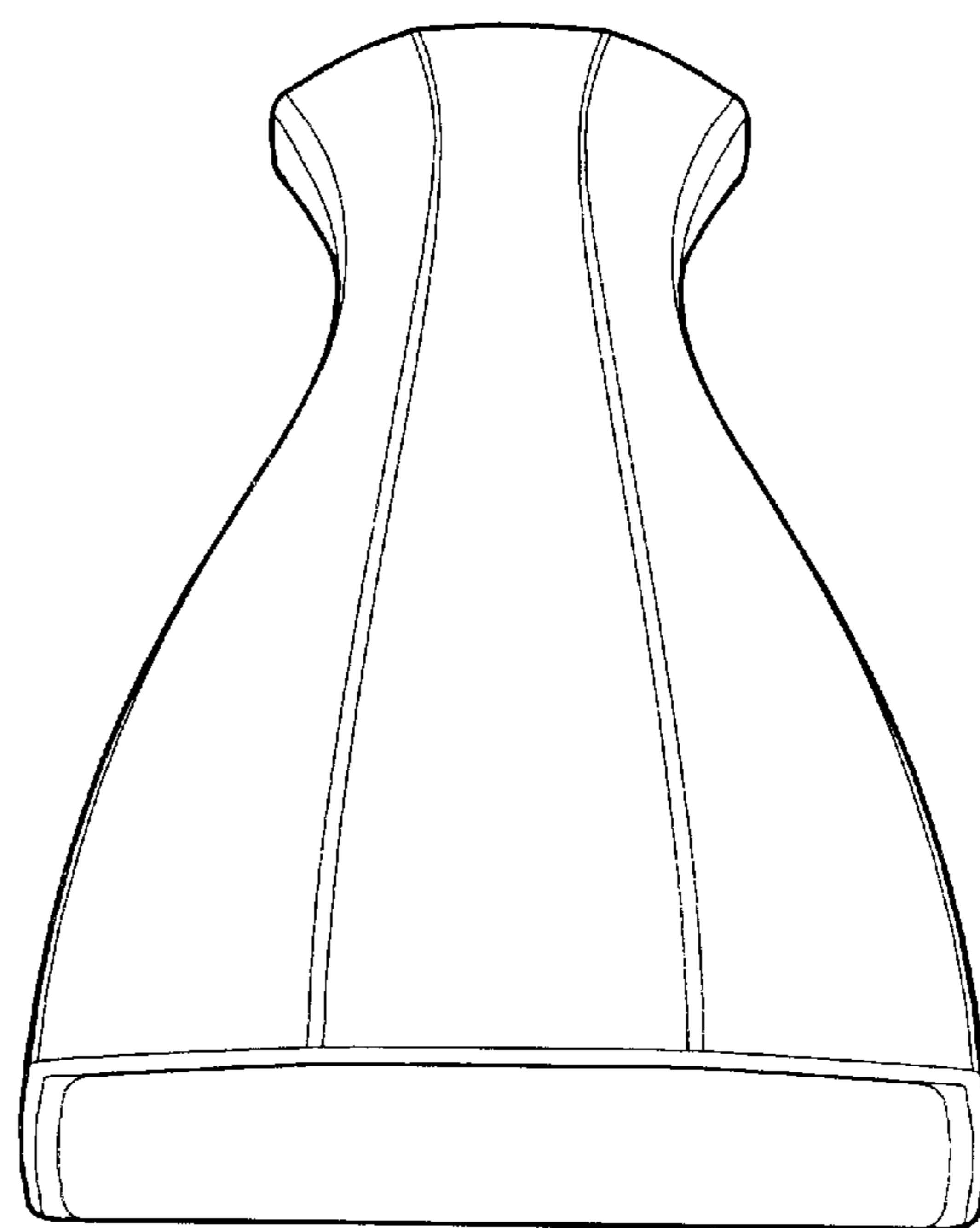


FIG. 3

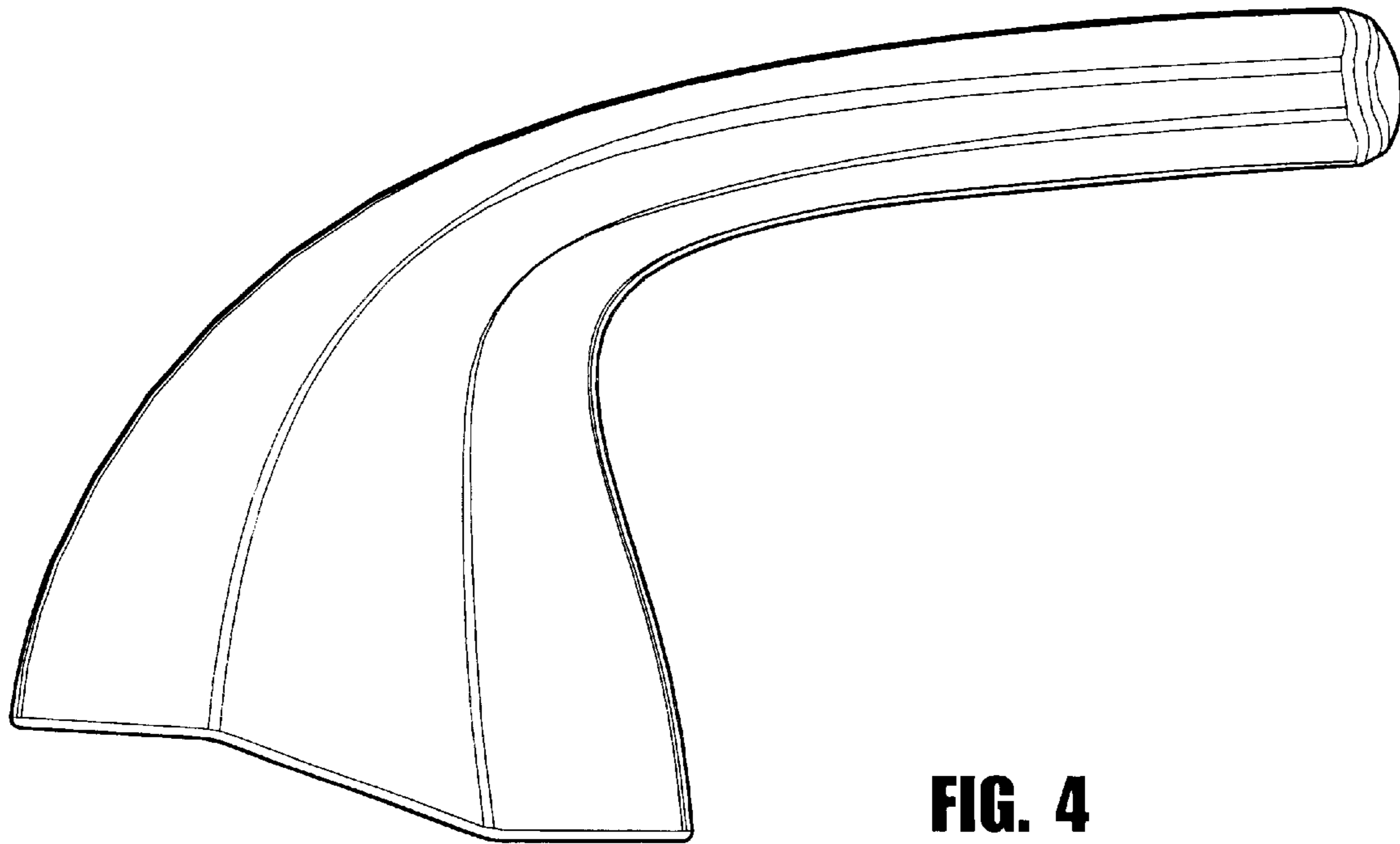


FIG. 4

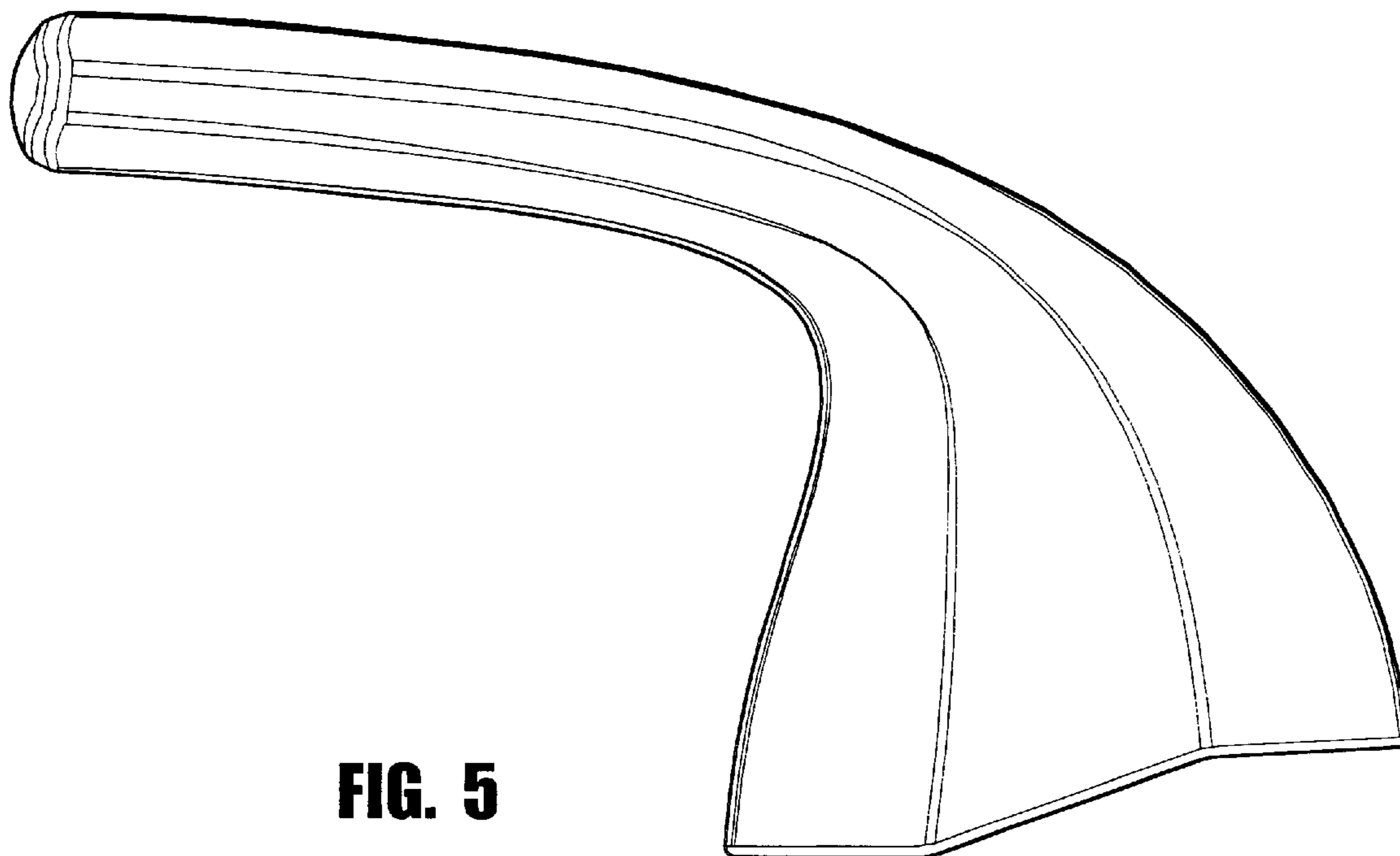


FIG. 5

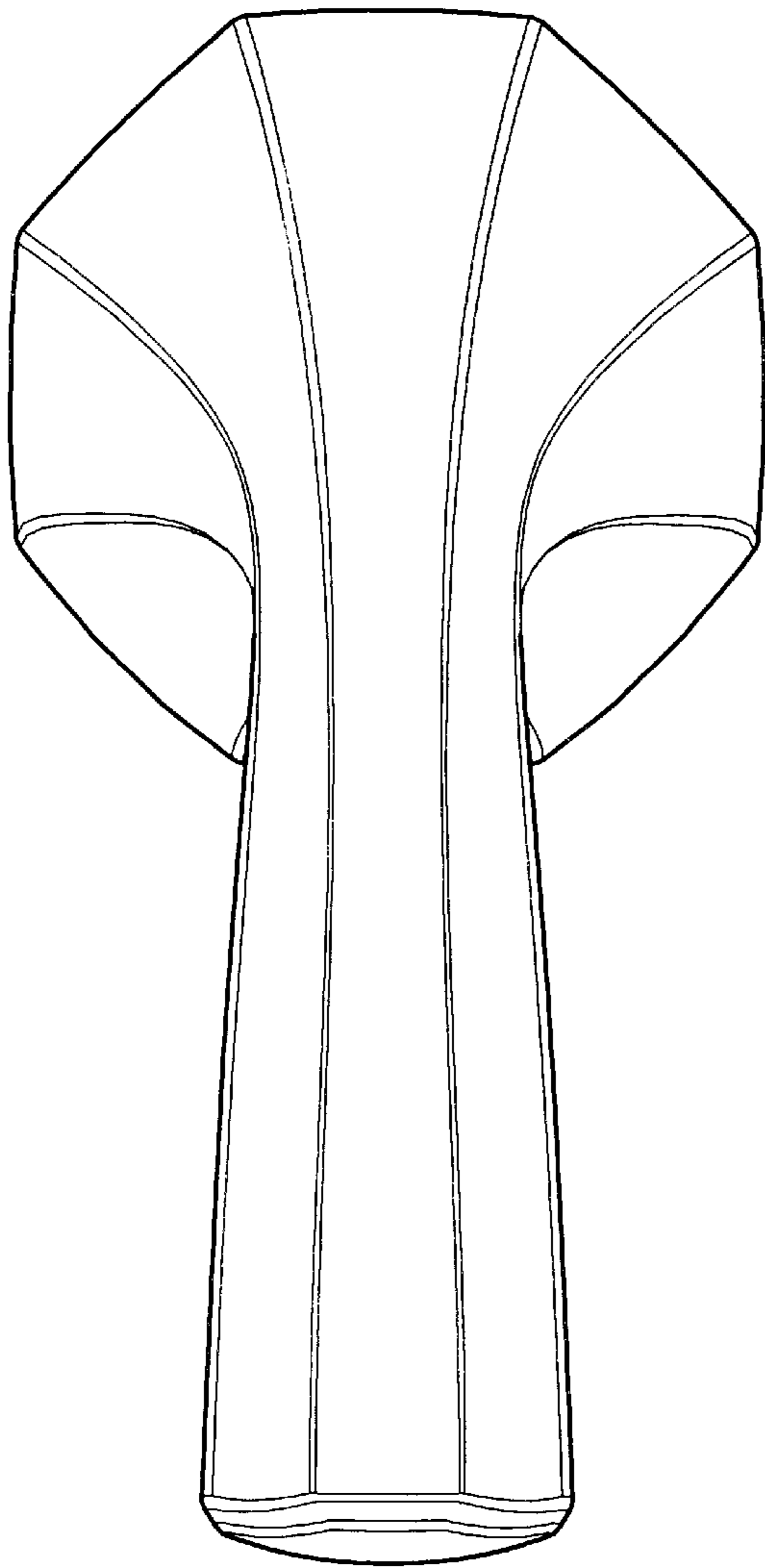


FIG. 6

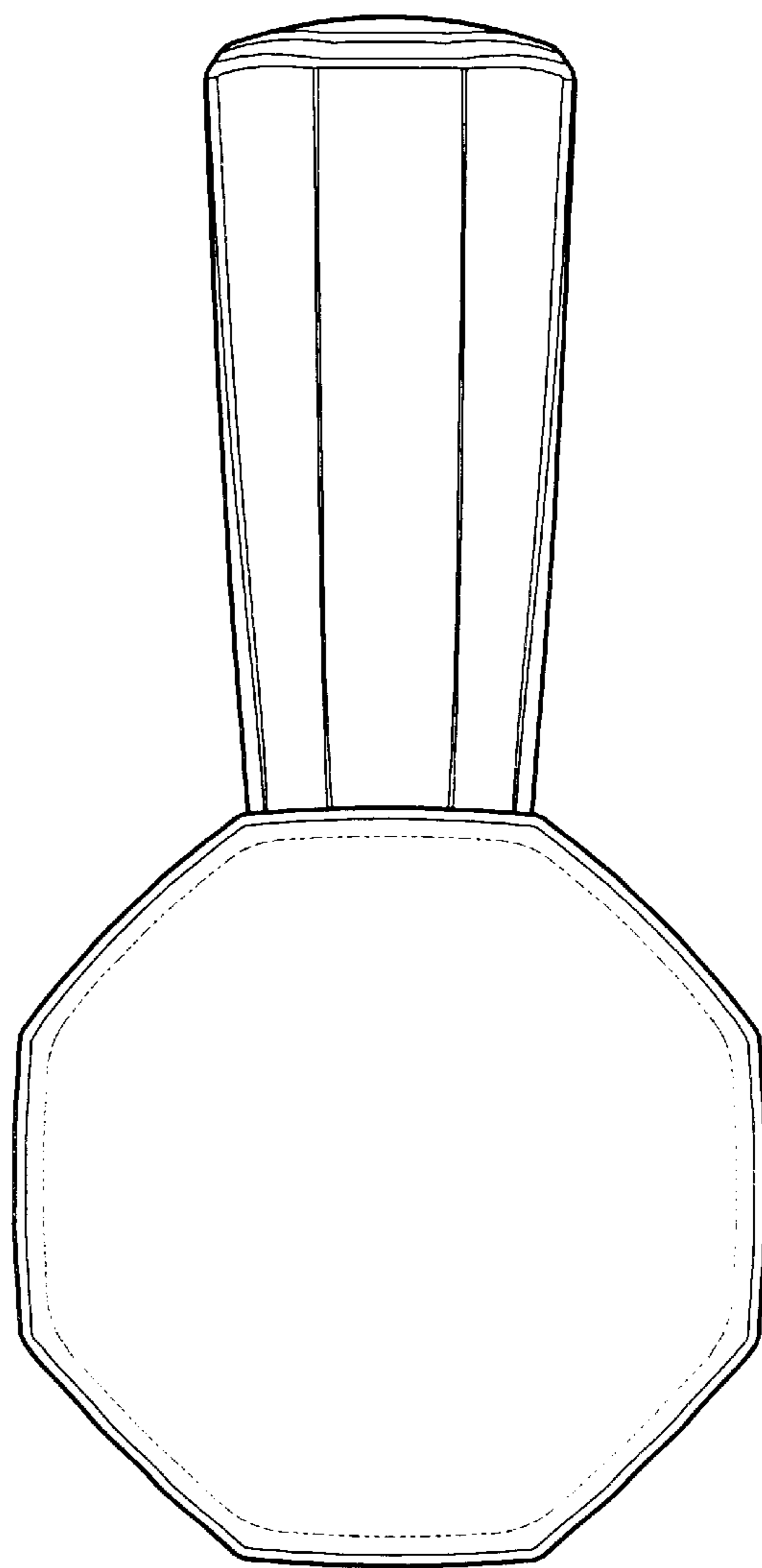


FIG. 7